

JOT Desk

Fixed-Height Workstation

Includes Add-Ons: [A1](#) | [A2](#) | [A3](#) | [A4](#)

General Installation Guide



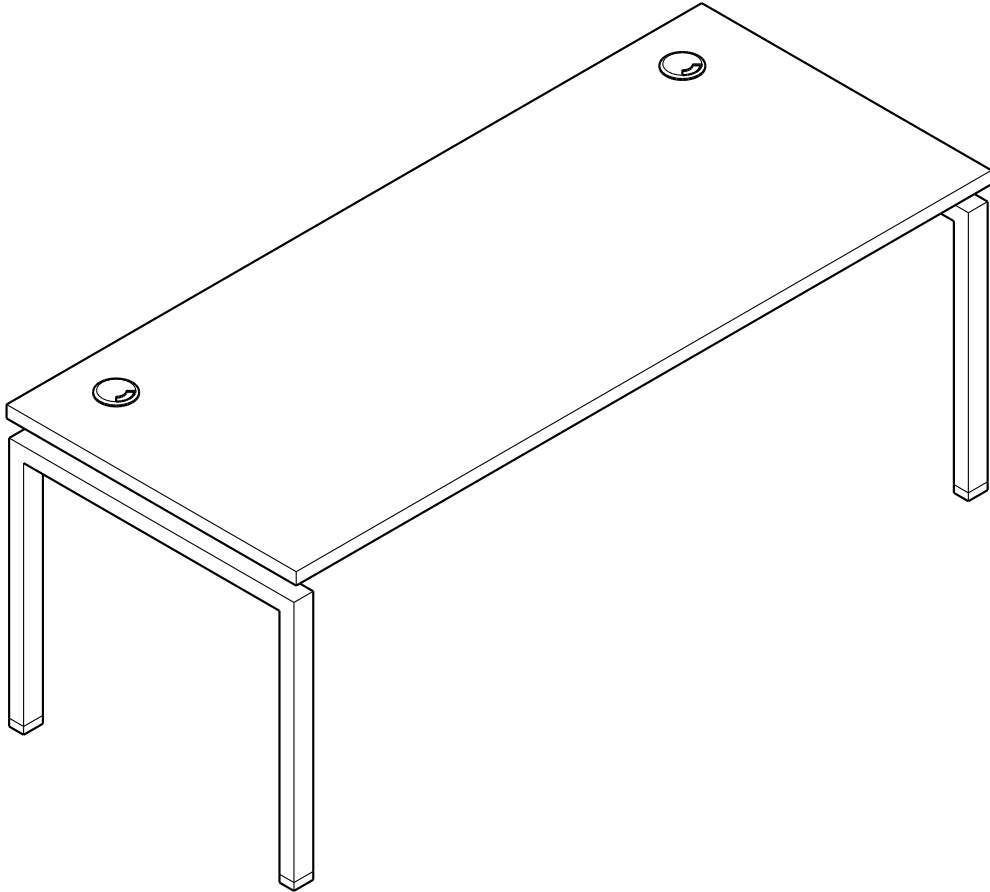
[Watch Entire
Install Video](#)

Edition code

BL-1 :: Fixed-Height Workstation.....	1
---------------------------------------	---


Add-ons

A1 :: Surface-Mount Cable Management Tray	7
A2 :: Modesty Panel	11
A3 :: Laminate Inset End Panels	15
A4 :: Steel Inset End Panels.....	23



Workstation Overview

JOT Fixed-Height

 All parts listed are for a single workstation; additional parts will be needed for additional workstations.



Scan to
Watch Section

Parts List

Code	Qty.	Description	
GB3072	1	Surface	
BB3	1	Extra Long Beam	
	2	Lock Plate	
	2	Cap Screw	
	1	Locking Screw and Lever	
BL30	2	BLADE 30" End Leg	
	12	Wood Screws	
BASB72	1	42" Support Bar*	
	10	Wood Screws	

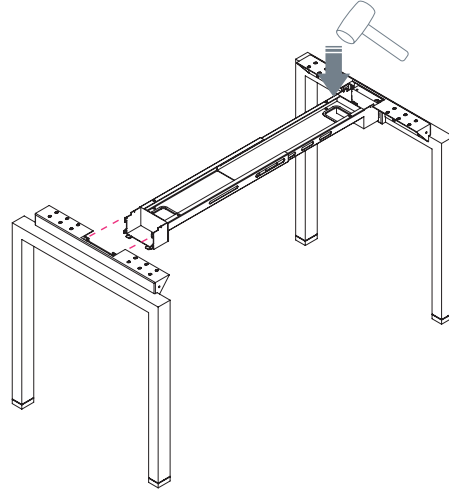
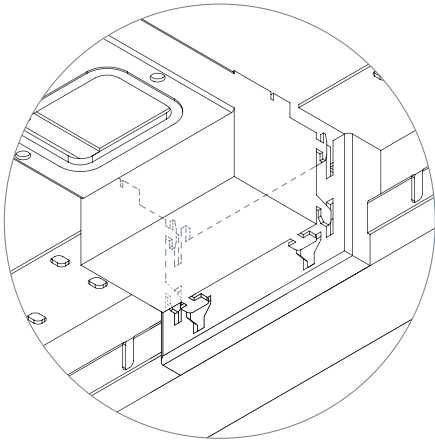
*Part will be added to surfaces 72" and longer

1 | Join End Legs with Beam

Insert beam tabs into leg brackets. Guide beam tabs into bracket holes, ensuring that there is not a gap between the beam and legs. Using a rubber mallet, hammer the beam to lock in place.



Scan to
Watch Step

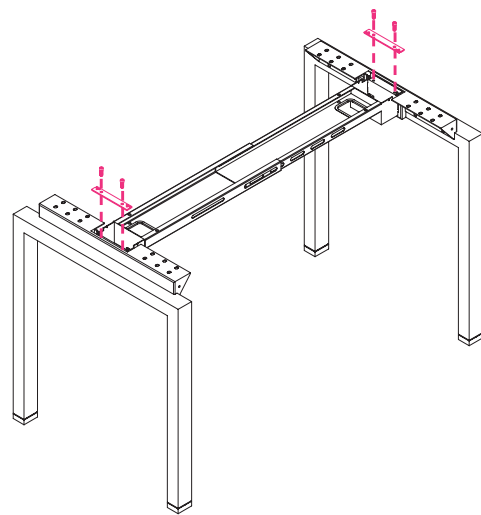
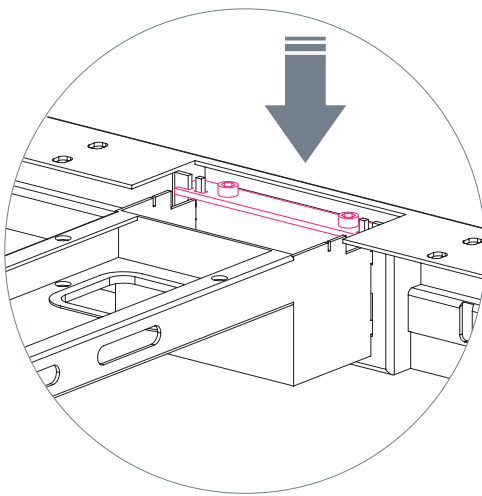


2 | Bolt Down Beam-to-Leg Lock Plate

Note: The beam lock plates will not fit if there is a gap between the beam and the leg.



Scan to
Watch Step

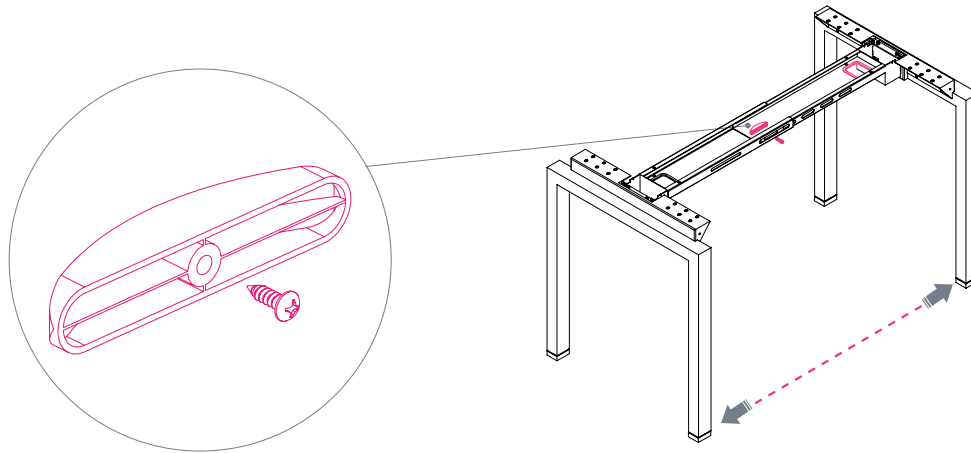


3 | Measure and Adjust Beam Width

Measure from end leg to end leg until you find the approximate width of the work surface. Insert the screw through the overlapping beam slots and into the locking screw and lever. Slightly tighten the screw. **DO NOT** fully tighten. Insert beam grommet covers.



Scan to Watch Step

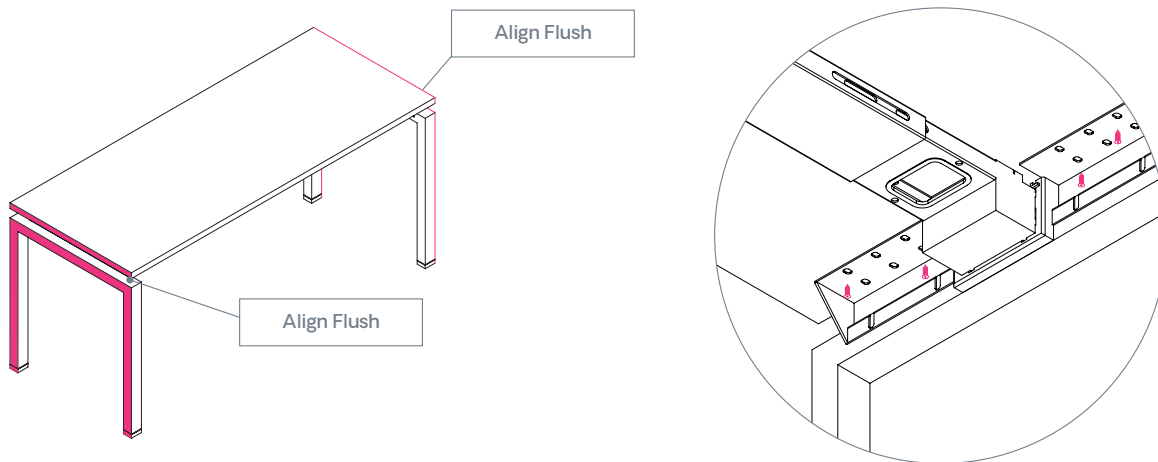


4 | Secure the Surface

Position the surface on the desk frame. Align the outer sides of the surface flush and parallel with the outer sides of the end legs, adjust if not flushed. Insert wood screws into the leg brackets and secure to the underside of the surface.



Scan to Watch Step

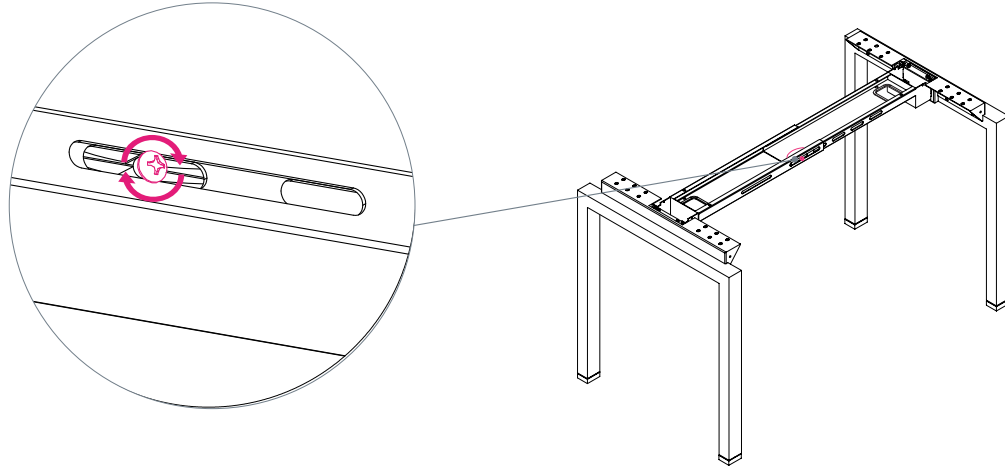


5 | Secure Beam

Tighten beam locks.



Scan to
Watch Step



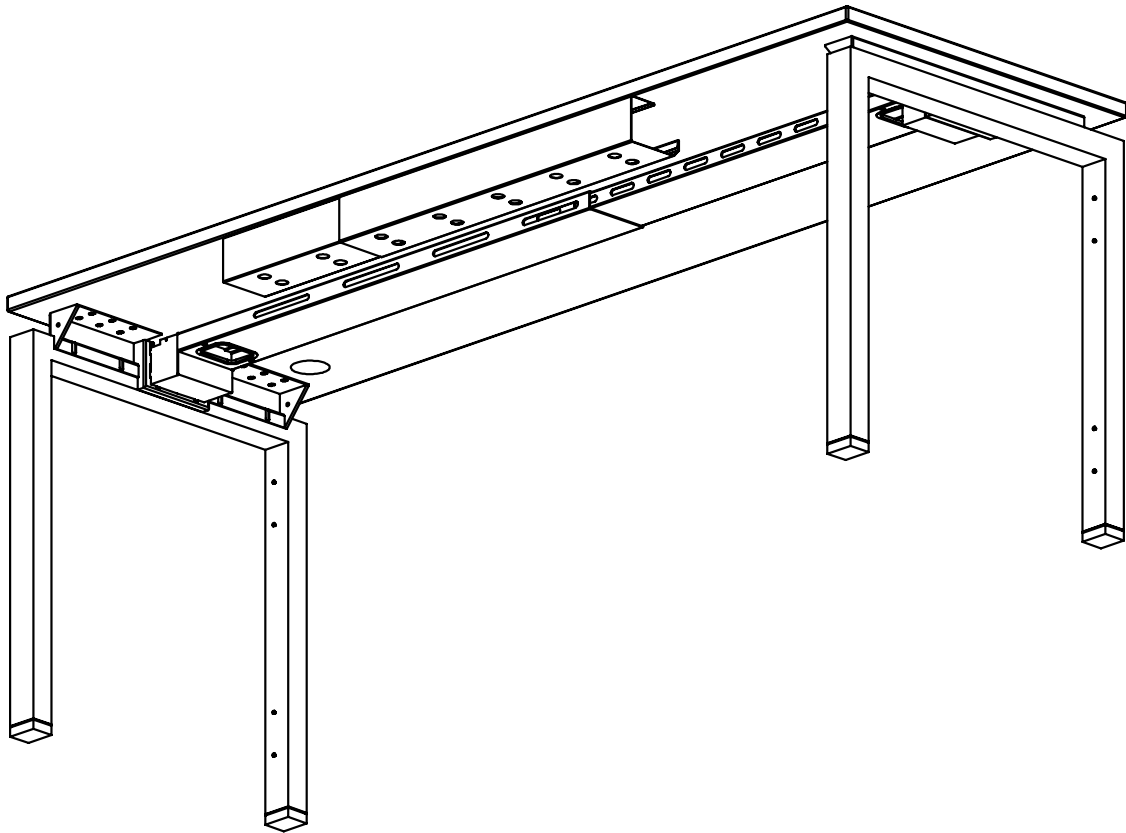
Optional | Install Support Bar

If working with a surface 72" or longer, use 10 wood screws to install support bar under the surface.



Scan to
Watch Step





A1: Surface-Mount Cable Management Tray

Overview

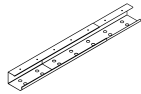
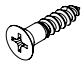
JOT Fixed-Height

 If workstations have power, refer to BL-8 JOT power guide.



Scan to
Watch Section

Parts List

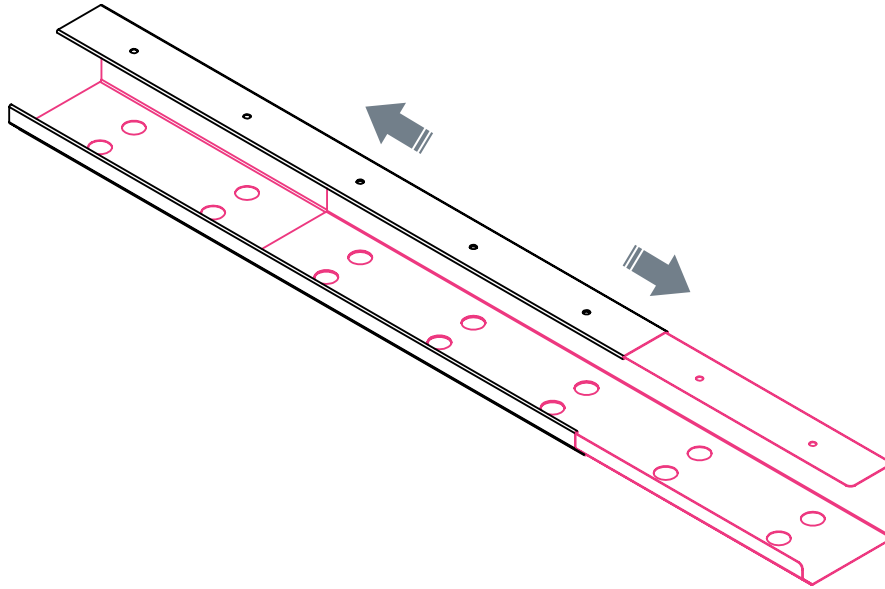
Code	Qty.	Description	
BHCT	1	Surface-Mount Cable Management Tray	
	10	Wood Screws	

1 | Extend Cable Tray to Desired Length

Extension range: 25' - 45'.



Scan to
Watch Step

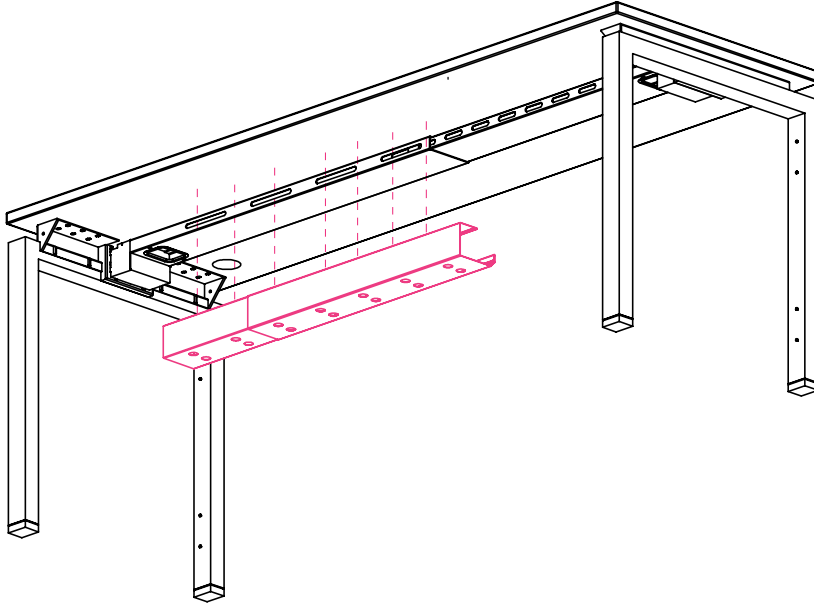


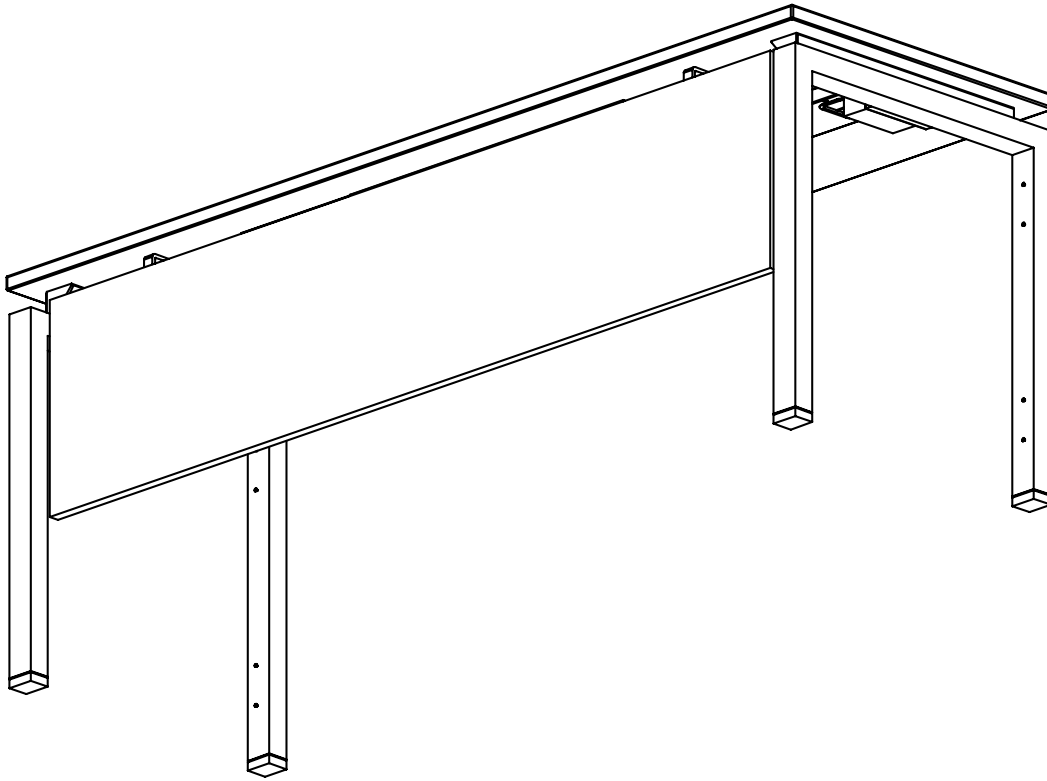
2 | Attach Cable Tray to Surface

Attach cable tray using wood screws.



Scan to
Watch Step





A2: Modesty Panel

Overview

JOT Fixed-Height

! All parts listed are for a single modesty panel; additional parts will be needed for additional modesty panels.



Scan to
Watch Section

Parts List

Code	Qty.	Description	
GLMP##	1	Laminate Modesty Panel*	
	4	Machine Screws	
BMPBFB	2	L-Brackets	
	4	Wood Screws	

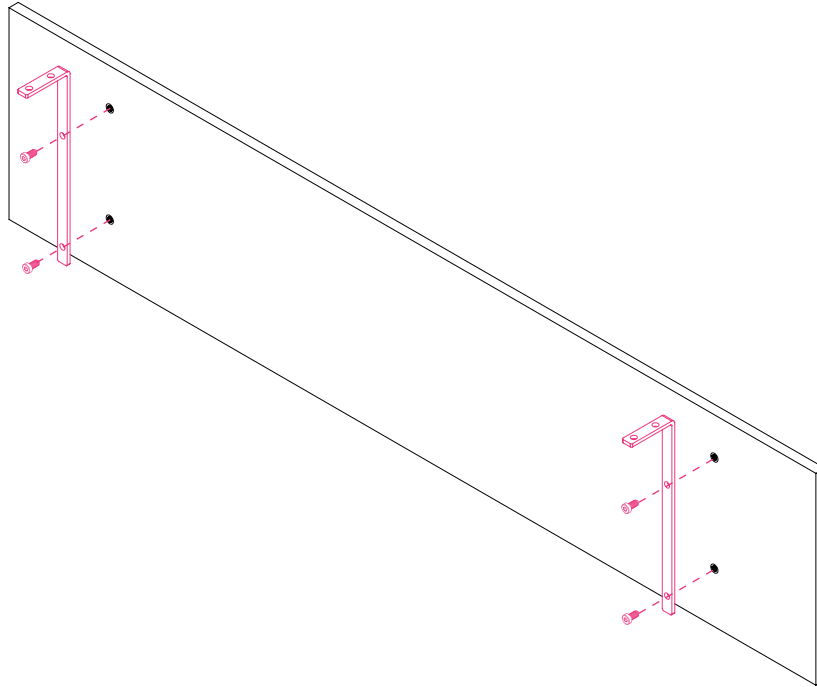
*For Steel Modesty Panel: components may vary, but process is similar.

1 | Secure Brackets to Modesty Panel

Connect the BMPBFB bracket to the modesty panel using screws.
Secure tightly.



Scan to
Watch Step

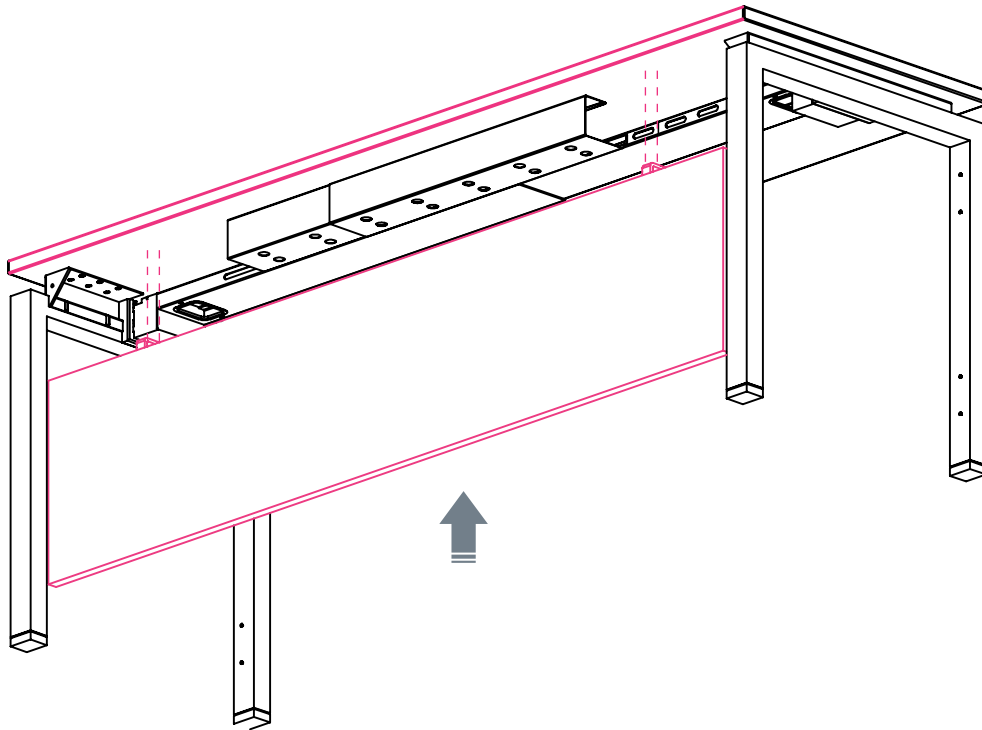


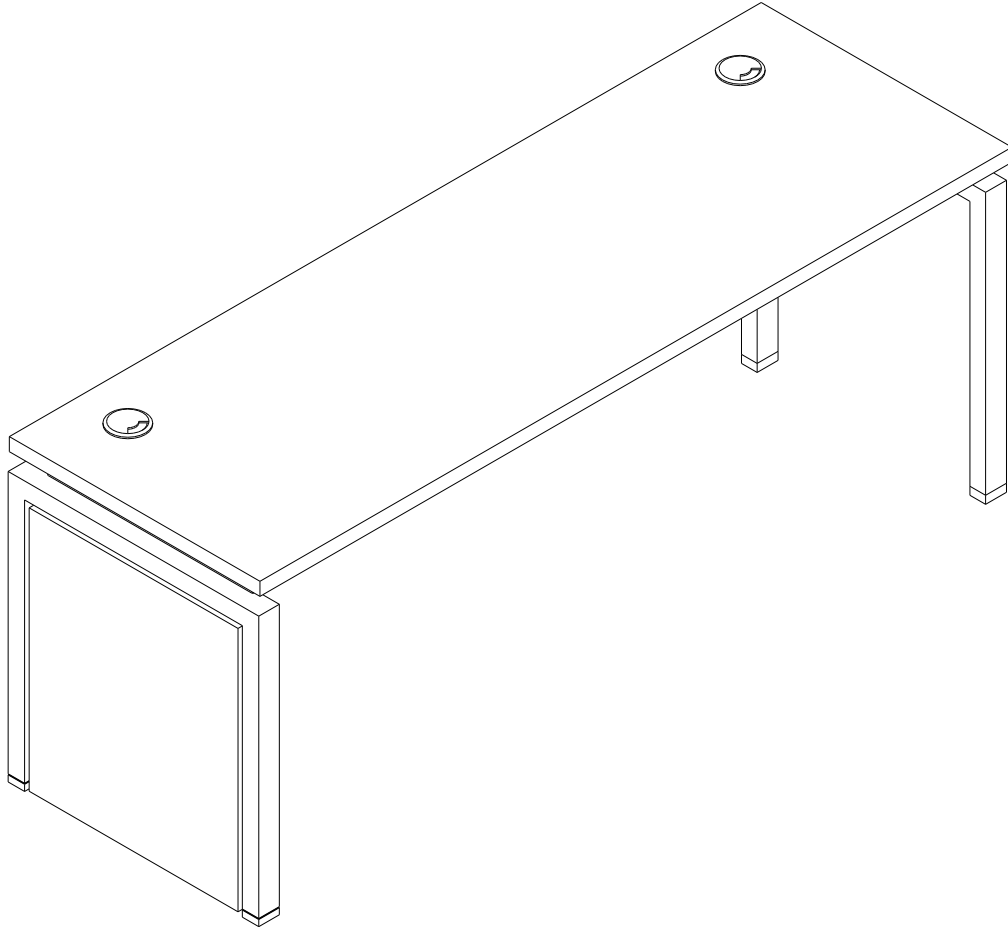
2 | Attach Modesty Panel to Surface

Attach modesty panel to surface using wood screws provided with brackets. Panel will be center aligned and flushed with back of surface.



Scan to
Watch Step





A3: Laminate Inset End Panels

Overview

JOT Fixed-Height

! All parts listed are for a single panel; additional parts will be needed for additional panels.



Scan to
Watch Section

Parts List

Code	Qty.	Description	
GBEP##	1	Laminate Inset End Panel	
LEPBL1	4	End Panel T-Bracket	
	8	Self-Tapping Screws	
	8	Wood Screws	

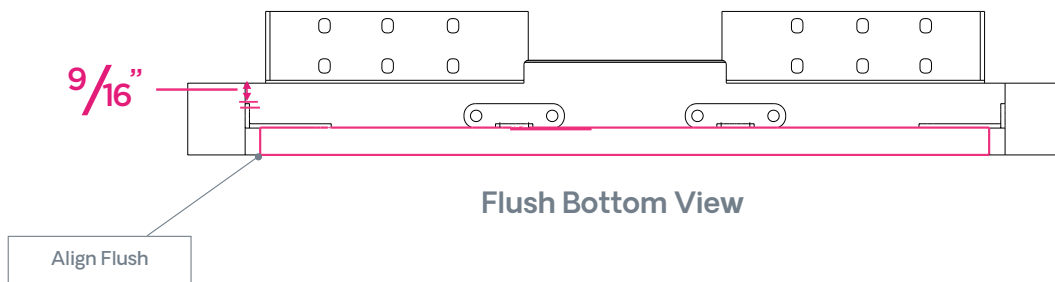
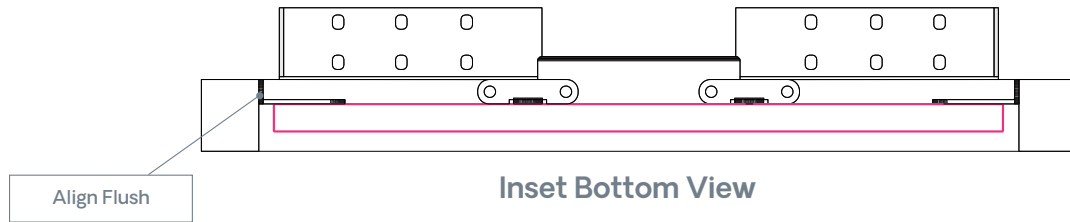
1 | Secure Bracket to End Legs

Attach 4 brackets to BLADE end legs using the self-tapping screws.

1. Inset–The back of the bracket will align flush with edge of leg.
2. Flush–Back of bracket will be $9/16$ " from edge back edge of leg.



Scan to
Watch Step

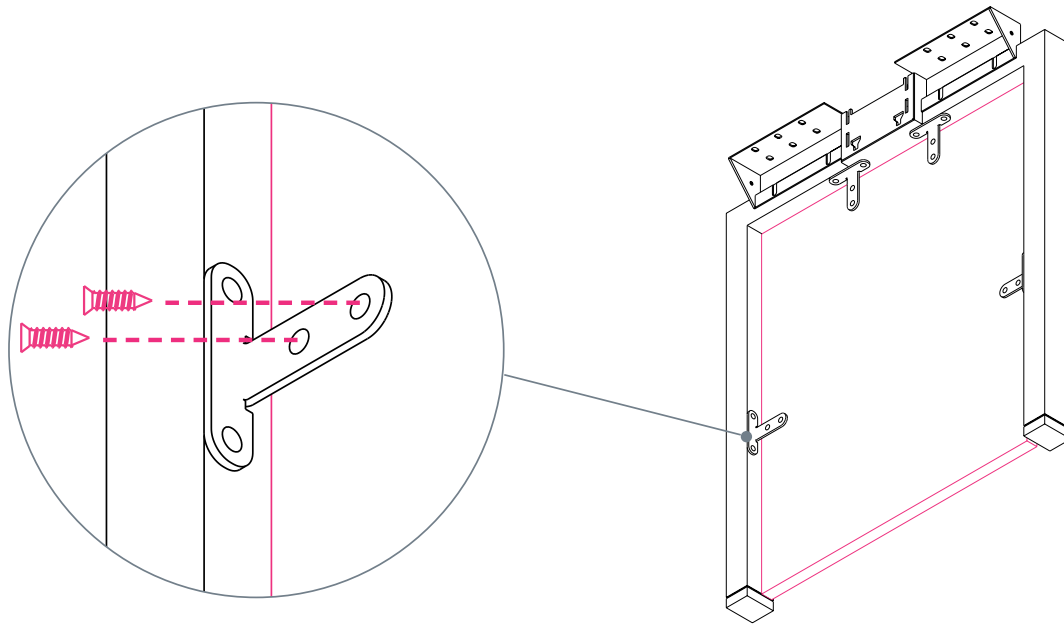


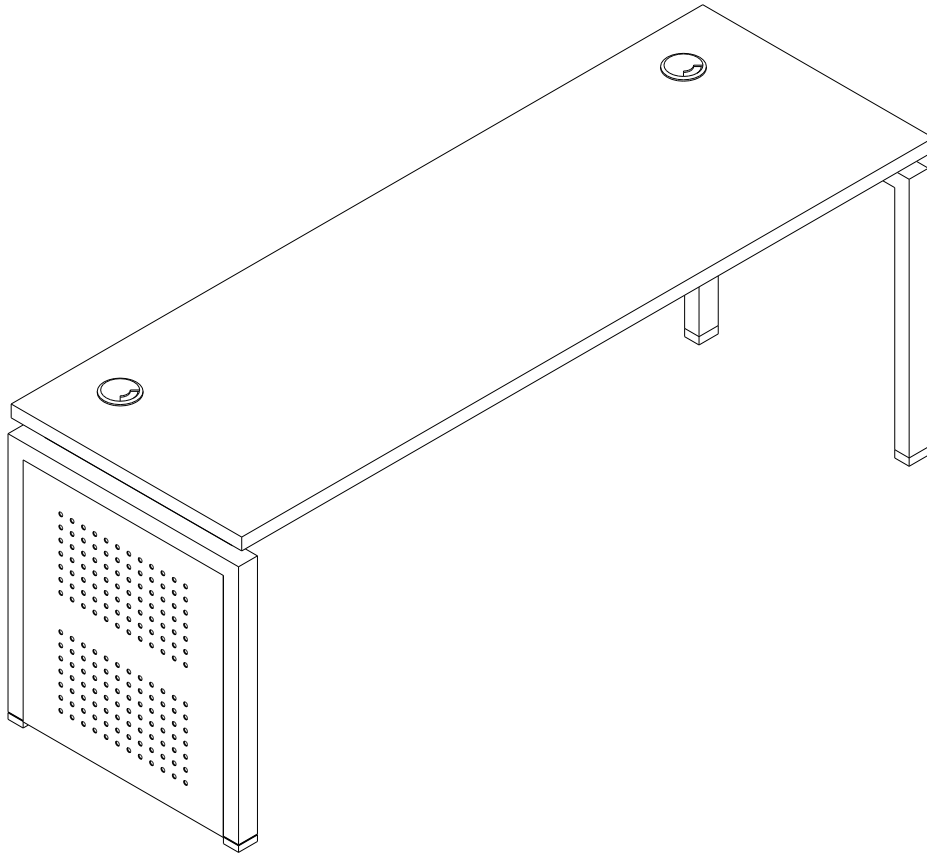
2 | Attach End Panel

Slide end panels into place and adjust until flush with bracket.
Use 2 wood screws to secure panel to each bracket.



Scan to
Watch Step





A4: Steel Inset End Panels

Overview

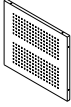
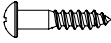
JOT Fixed-Height

! All parts listed are for a steel inset end panel; additional parts will be needed for additional steel inset end panels.



Scan to
Watch Section

Parts List

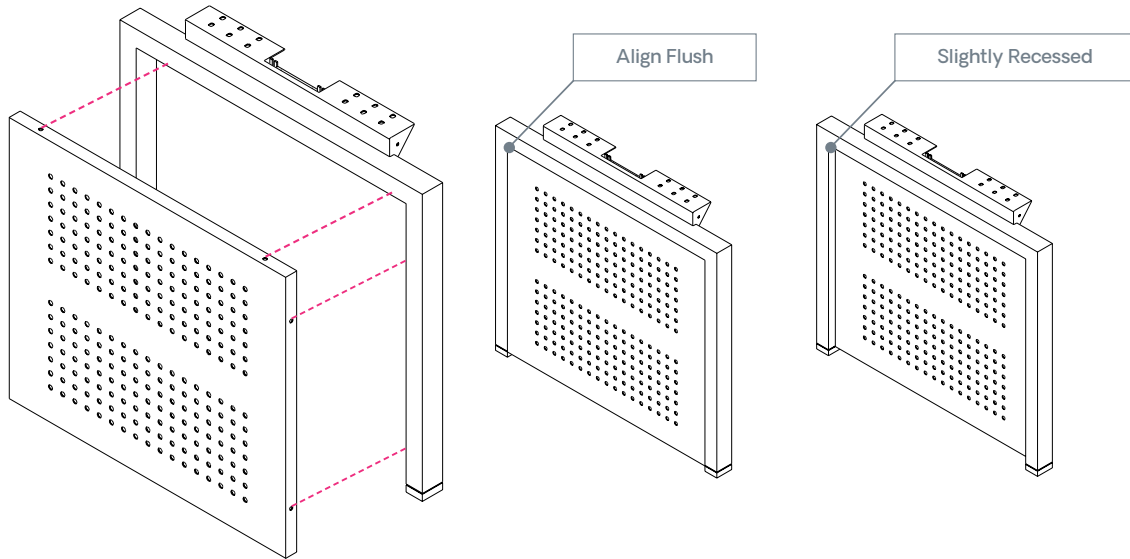
Code	Qty.	Description	
BEP##	1	Steel Inset End Panel	
	6	Self-Tapping Screws	

1 | Slide Panels into End Legs

Slide the end panel into place and adjust until either flush with outside of leg or slightly recessed.



Scan to
Watch Step



2 | Attach End Panel

Use 4-6 self-tapping screws to secure panel to each leg.



Scan to
Watch Step

