

Acuity Desk

L-Shape Workstation
with Storage

Includes Add-Ons: [A1](#) | [A2](#) | [A3](#) | [A4](#)

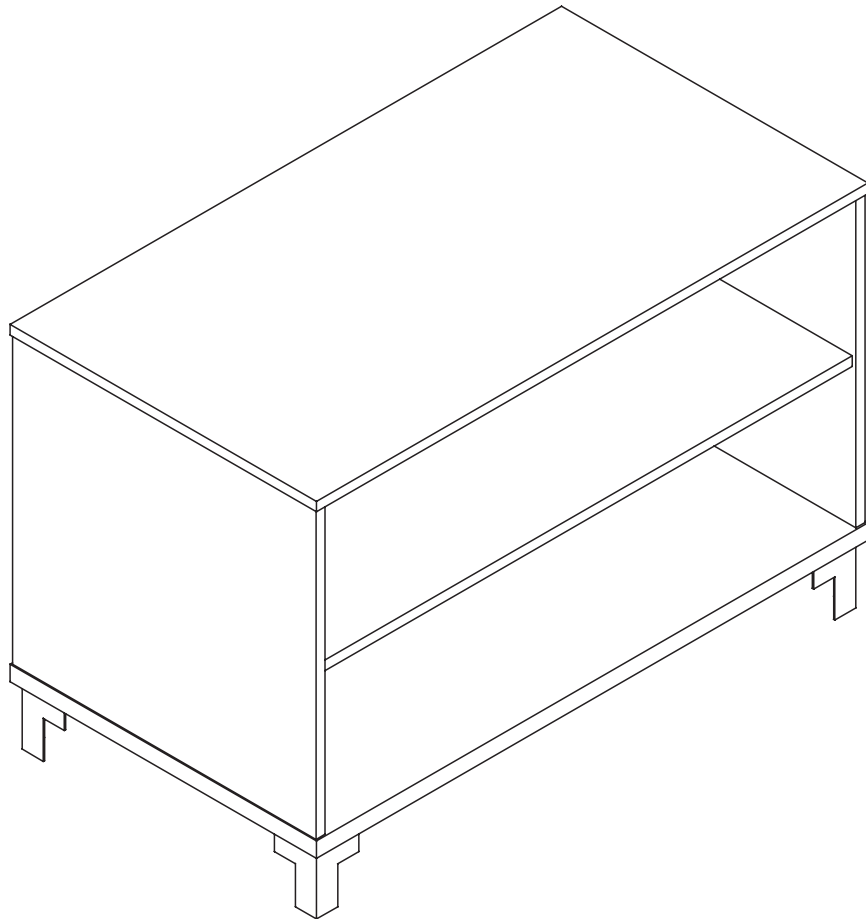
General Installation Guide

Edition Code

BLLBFV2 :: Low Open-Shelf Lateral	1
BLLOSV2 :: Low Box/File Lateral.....	9
GBLLT2 :: Merging Top	13
BLDLS :: L-Shape with Storage	19

Add-ons

A1 :: Surface-Mount Cable Management Tray	25
A2 :: Modesty Panel	29
A3 :: Laminate Inset End Panels.....	33
A4 :: Steel Inset End Panels.....	37




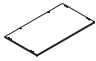
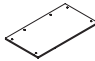



Low Open-Shelf Lateral

Overview

Acuity Desk

! All parts listed are for a single low open-shelf lateral; additional parts will be needed for additional low open-shelf laterals.

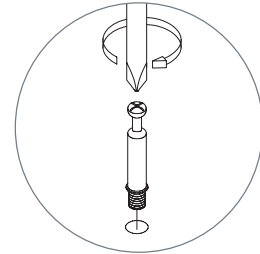
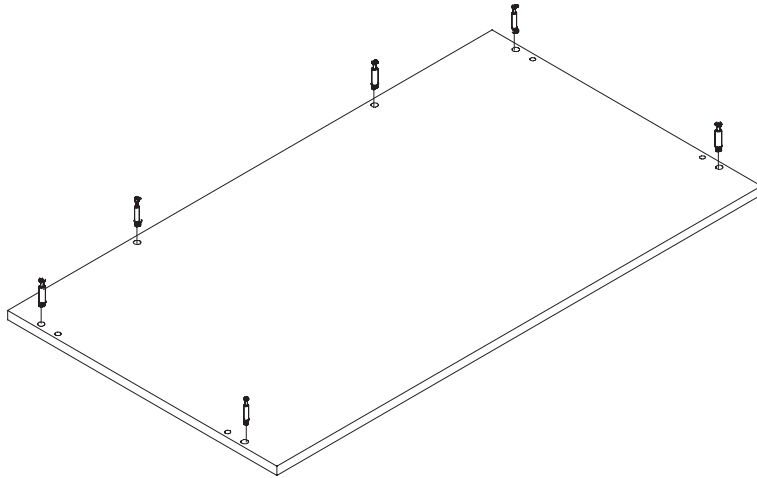
Parts List

Code	Qty.	Description	
BLLOSV2	1	Top Panel*	
	1	Bottom Panel	
	1	Fixed Shelf Panel	
	2	End Panels	
	1	Back Panel	
	4	Corner Feet	

*If installing a merging topper, disregard top panel item.

1 | Screw Cam Pins into Bottom Panel

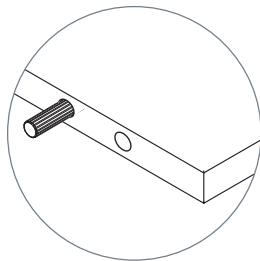
Requires 6 cam pins.



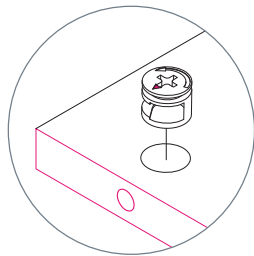
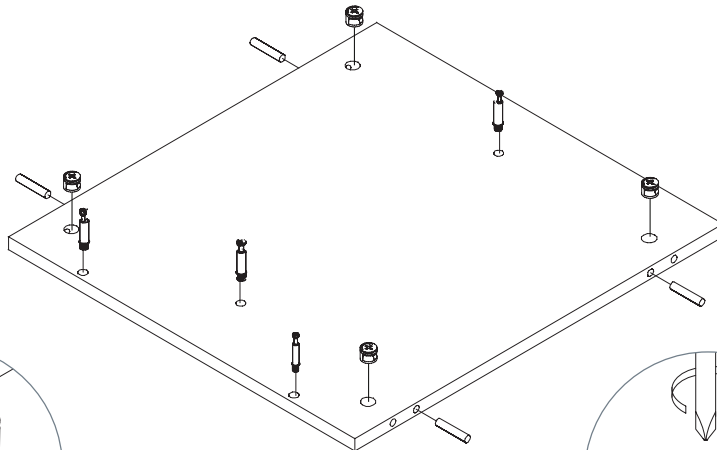
Cam Pin

2 | Insert Hardware into End Panels

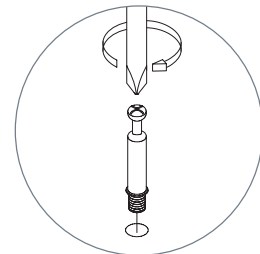
Requires 4 wooden dowels, 4 cam locks, and 4 cam pins.



Wooden Dowel



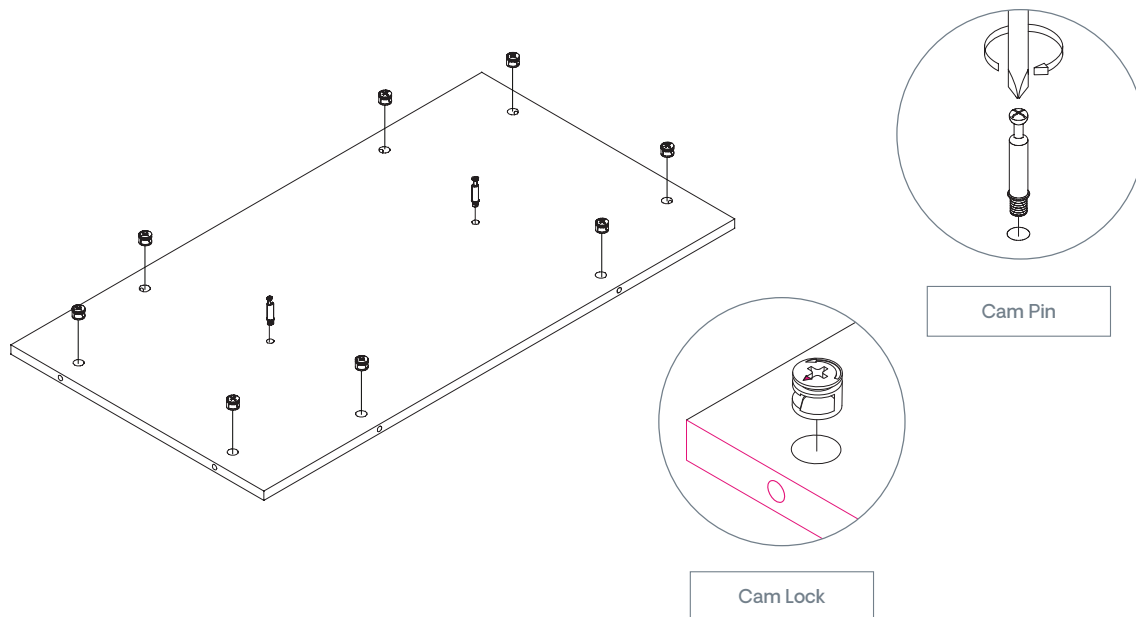
Cam Lock



Cam Pin

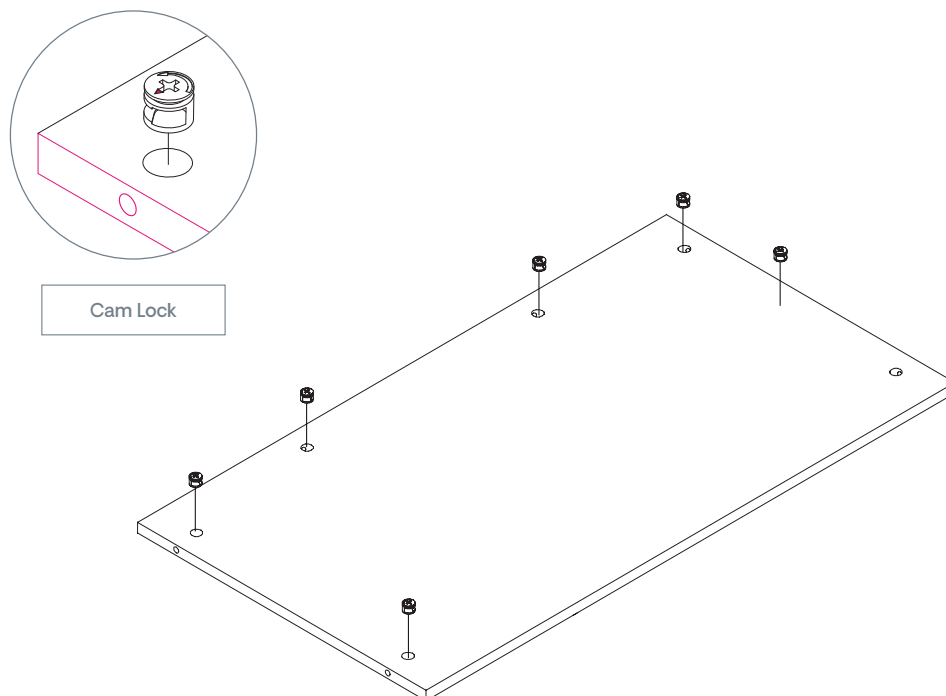
3 | Insert Hardware into Back Panel

Requires 2 cam pins and 8 cam locks.



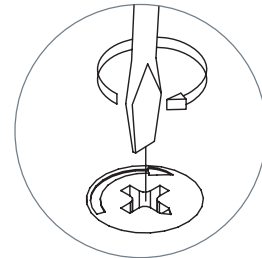
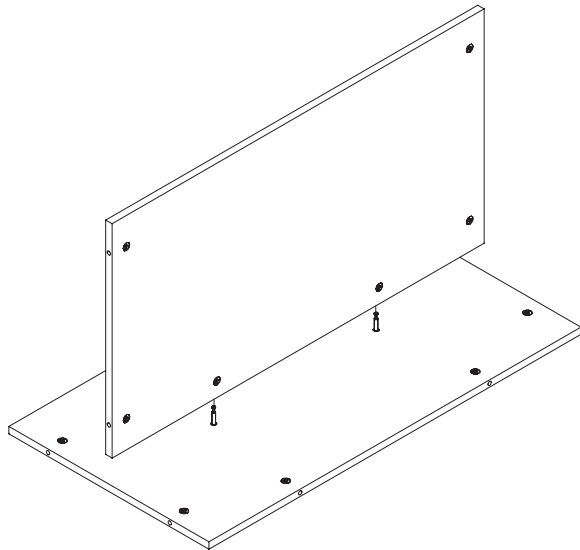
4 | Insert Cam Locks into Fixed Shelf

Requires 6 cam locks.



5 | Secure Fixed Shelf to Back Panel

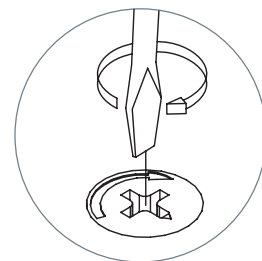
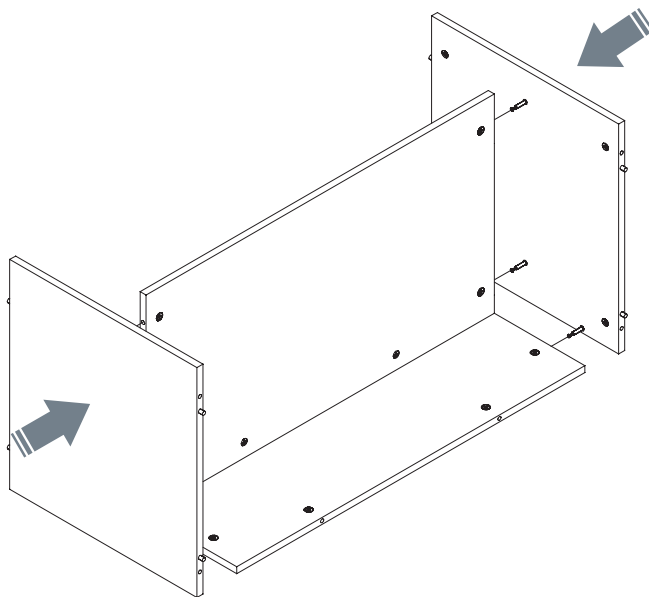
Align cam pins so they sit inside of open cam locks. Use a screwdriver to turn cam locks clockwise and lock into place.



Tighten Cams

6 | Secure End Panels

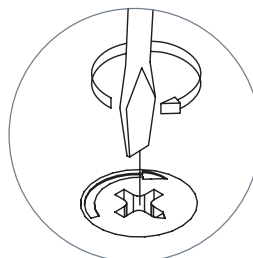
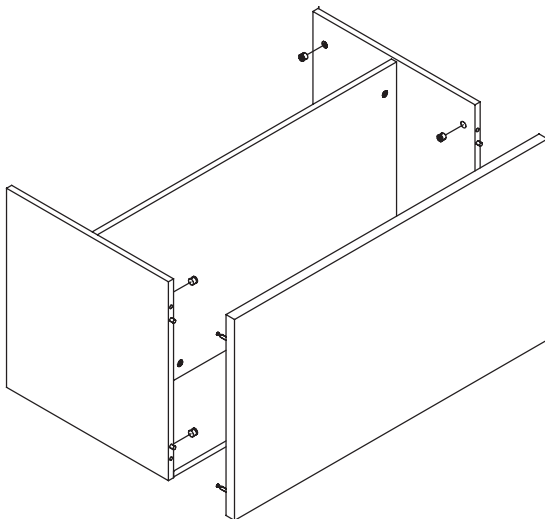
If working with a surface 72" or longer, use 10 wood screws to install support bar under surface.



Tighten Cams

7 | Secure Bottom Panel

Align cam pins so they sit inside of open cam locks. Use a screwdriver to turn cam locks clockwise and lock into place.

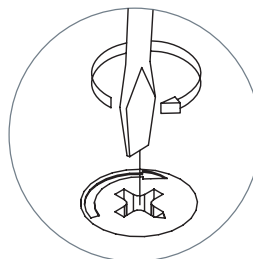
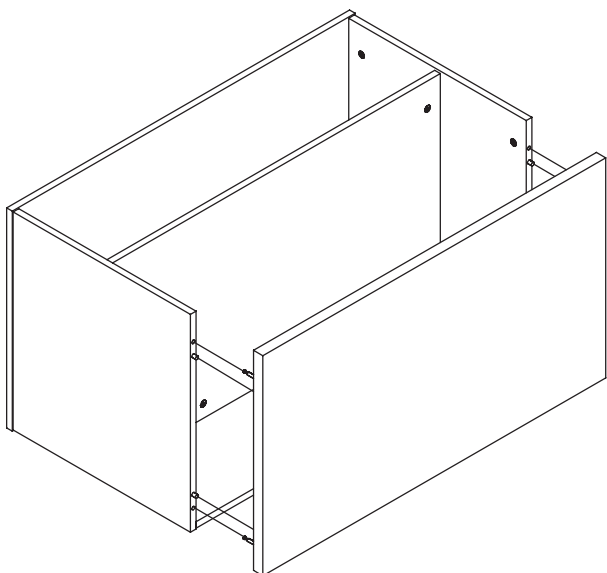


Tighten Cams

8 | Secure Top Panel

Note: DO NOT Install top panel if you are merging storage.

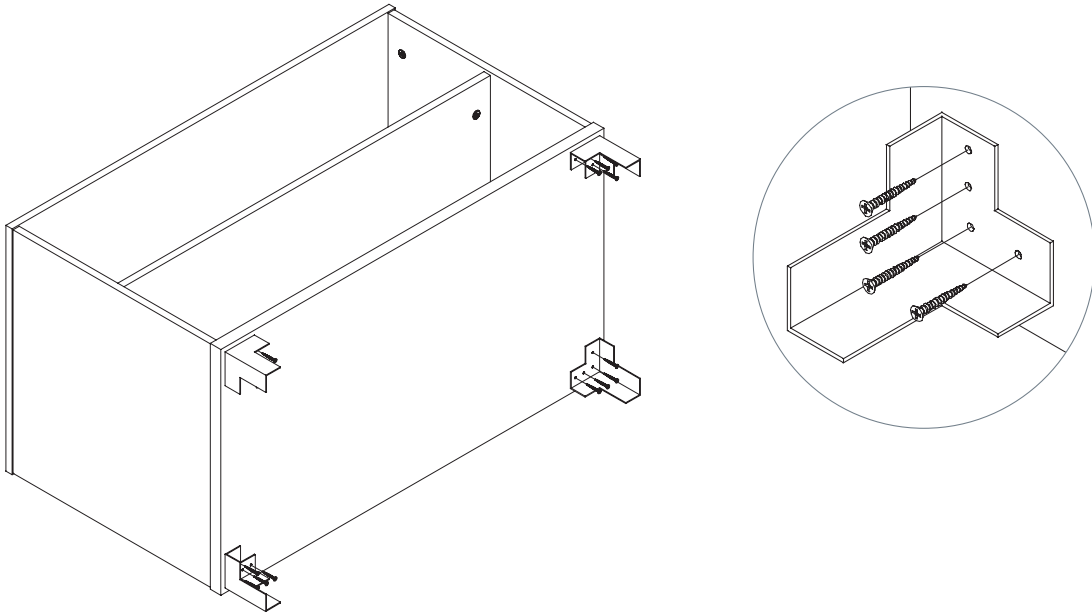
Align cam pins so that they sit inside of open cam locks. Use a screwdriver to turn cam locks clockwise and lock into place.

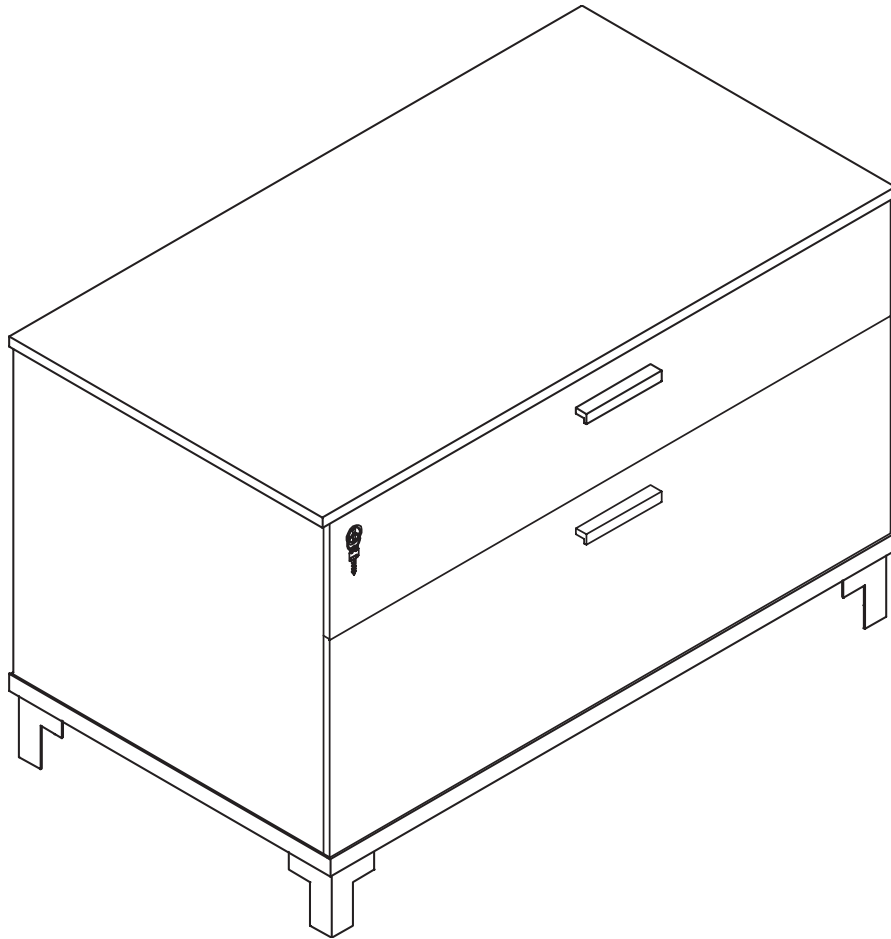


Tighten Cams

9 | Secure Feet to Bottom Panel

Attach corner feet to the bottom panel with 4 wood screws per foot.





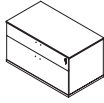
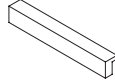
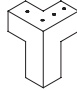
Low Box/File Lateral

Overview

Acuity Desk

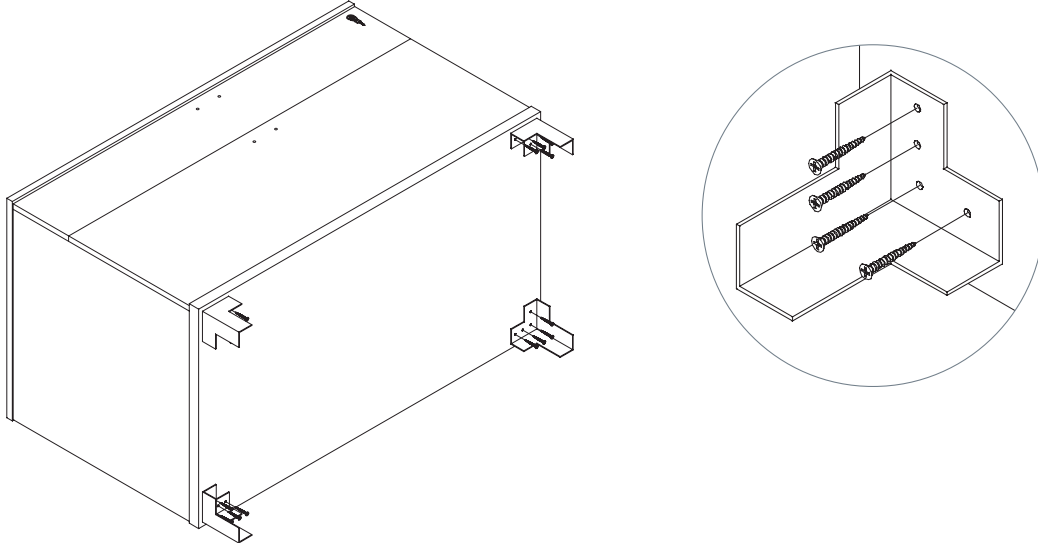
! All parts listed are for a single low box/file lateral; additional parts will be needed for additional low box/file laterals.

Parts List

Code	Qty.	Description	
BLLBFV2	1	Low Box/File Lateral	
	2	Handles	
	4	Corner Feet	

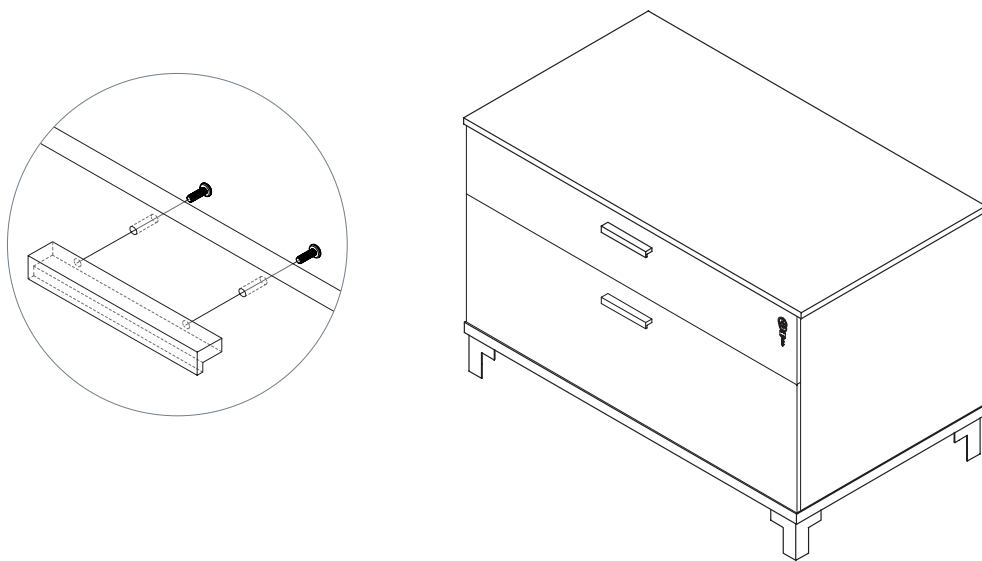
1 | Secure Feet to Storage and Flip

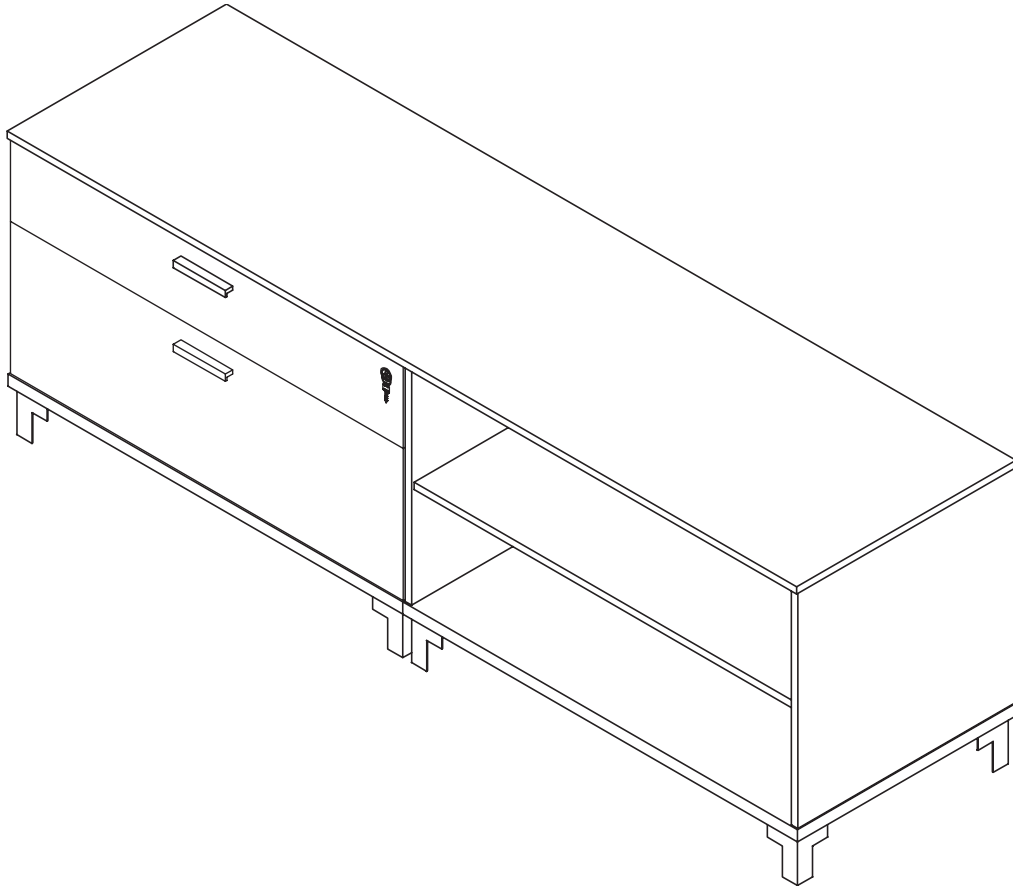
Flip storage piece so it is laying on its back; secure foot to each corner using 4 wood screws.



2 | Attach Handles

Using 2 bolts each, attach handles to front of drawers.





Merging Top

Overview

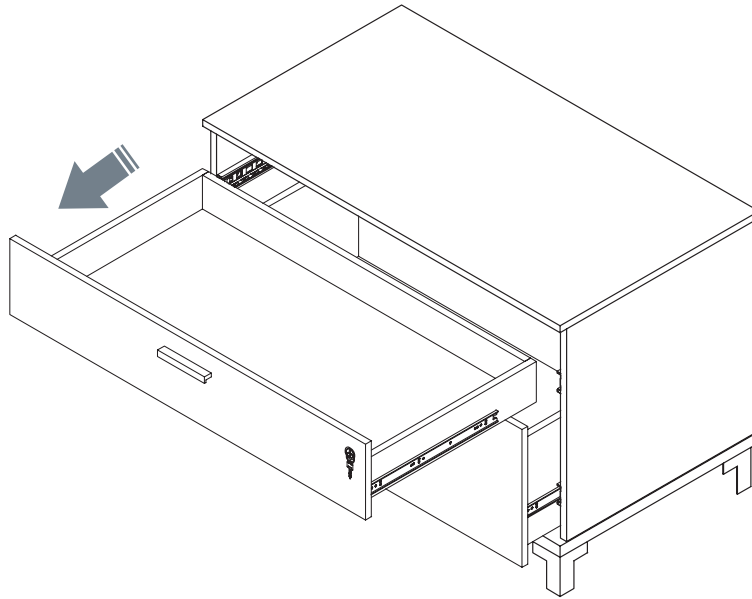
Acuity Desk

! All parts listed are for a single merging top; additional parts will be needed for additional merging tops.

Parts List

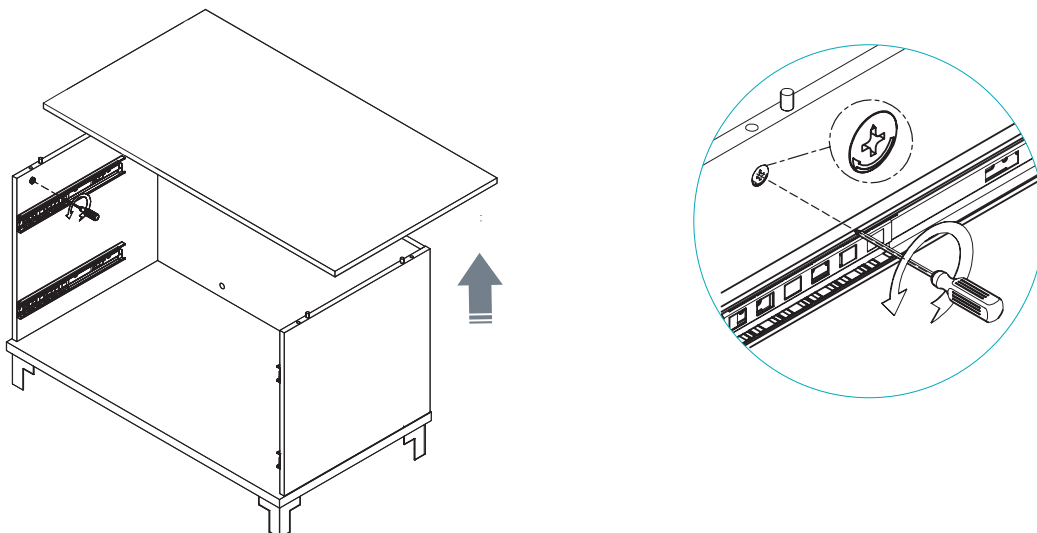
Code	Qty.	Description	
BLLBFV2	1	Low Box/File Lateral	
BLLOS2	1	Low Open-Shelf Lateral	
GBLLT2	1	Laminate Merging Top	
PLB.1	12	Laminate Storage L-Bracket	
WD.2	24	Wood Screws	

1 | Remove Drawers from Low Box/File Lateral



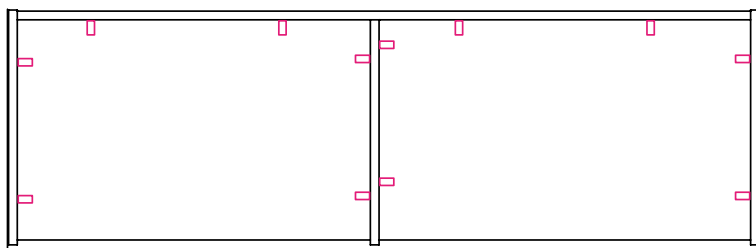
2 | Remove Storage Top

Locate 6 cam locks across top edge on inside of storage piece. Then, use a screwdriver to turn cam locks counterclockwise to unlock. Carefully lift top from storage.

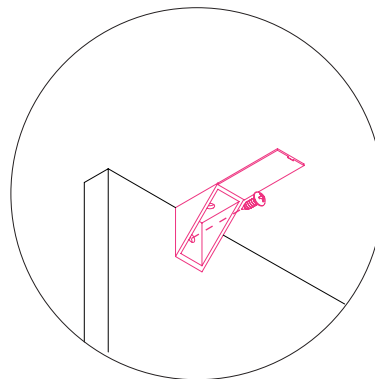


3 | Connect Brackets to Top Panel

Attach 12 laminate storage L-brackets to inside of storage using wood screws in places shown below.

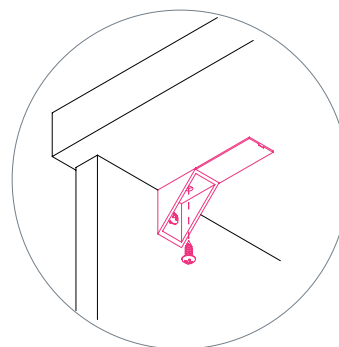
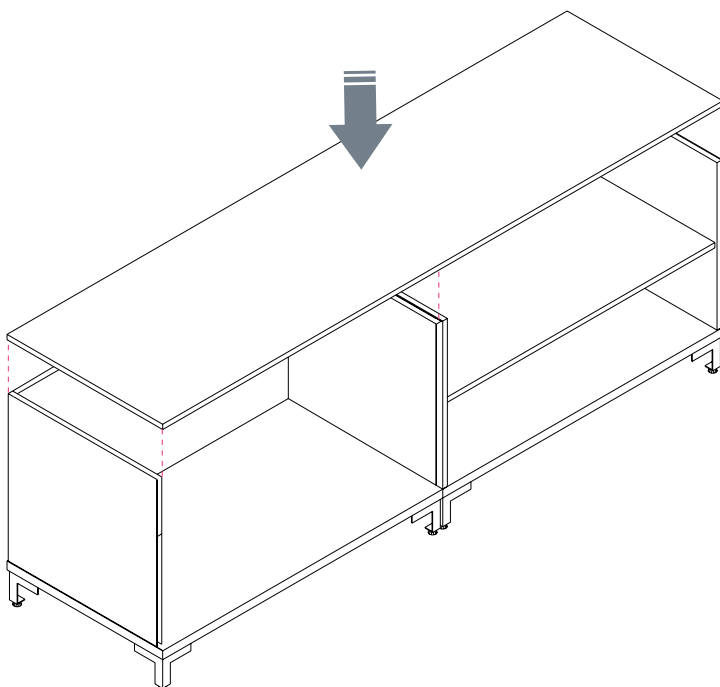


Top View

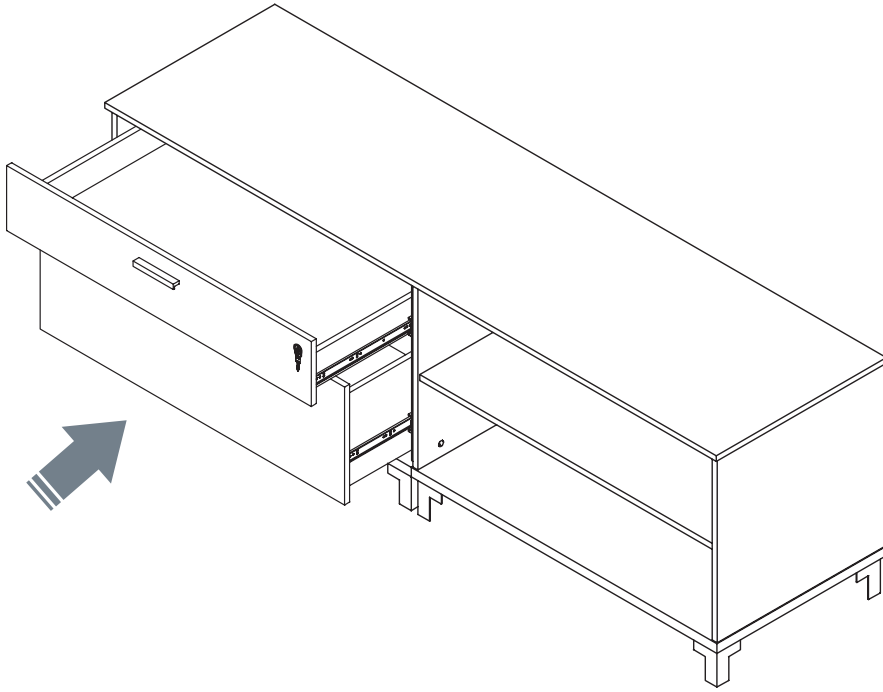


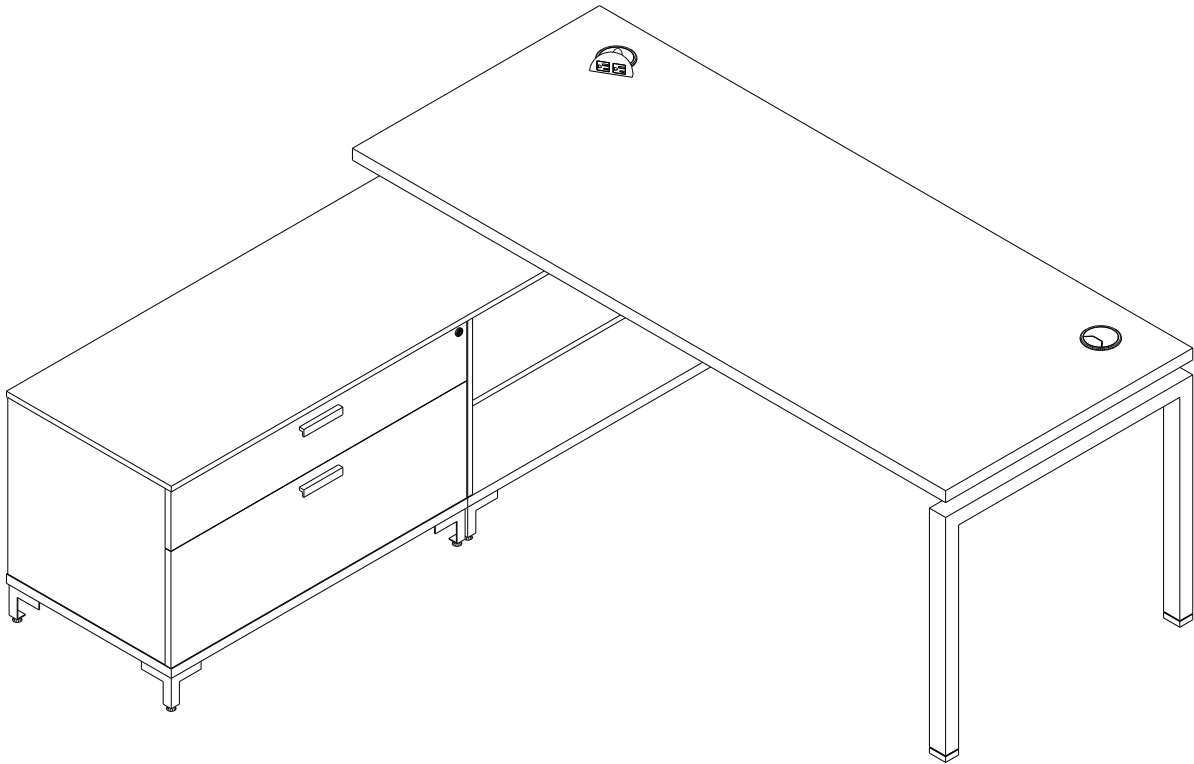
4 | Attach Top to Storage

Set storage side-by-side then align top panel so it is flush with sides, back, and front of storage. Secure 12 laminate storage L-brackets to top panel using wood screws.



5 | Insert Drawers






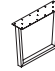

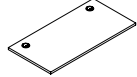
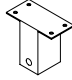

L-Shape with Storage

Overview

Acuity Desk

! All parts listed are for a single L-Shape; additional parts will be needed for additional L-Shape configuration.

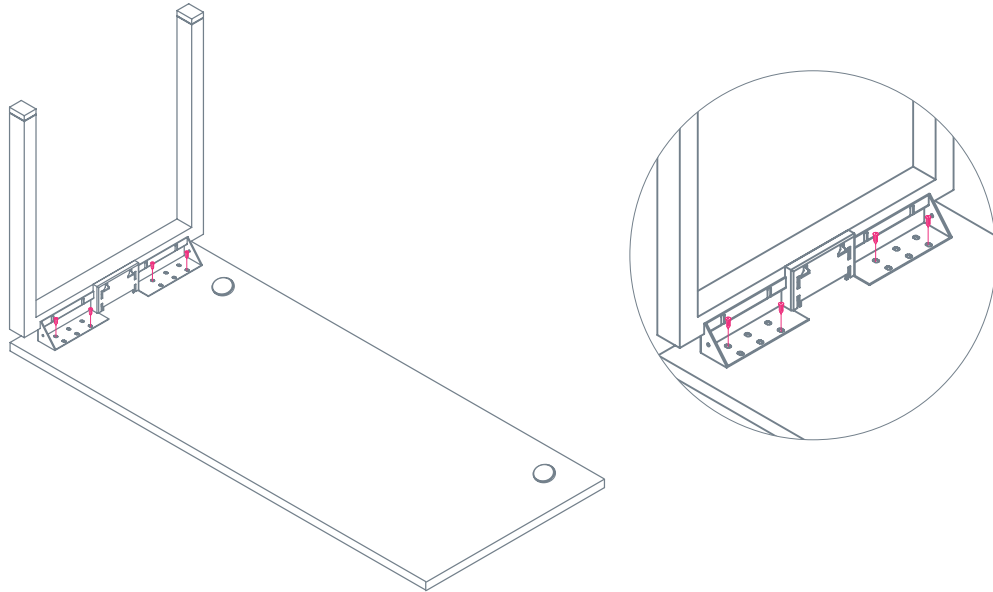
Parts List

Code	Qty.	Description	
BL24 or BL30	1	BLADE Leg	
GCNAB	1	THREE60 Sleigh Leg*	
BASB72	1	Support Bar*	
GB3072	1	Laminate Surface	
BLSS	2	Surface Stand Kit (set of 2)	
	1	Merged Laminate Storage	

*Single leg can be a JOT or THREE60 Sleigh Leg. THREE60 Sleigh Leg is used for 30" – 36" deep surfaces. Support bar will be added to surfaces 66" and 72".

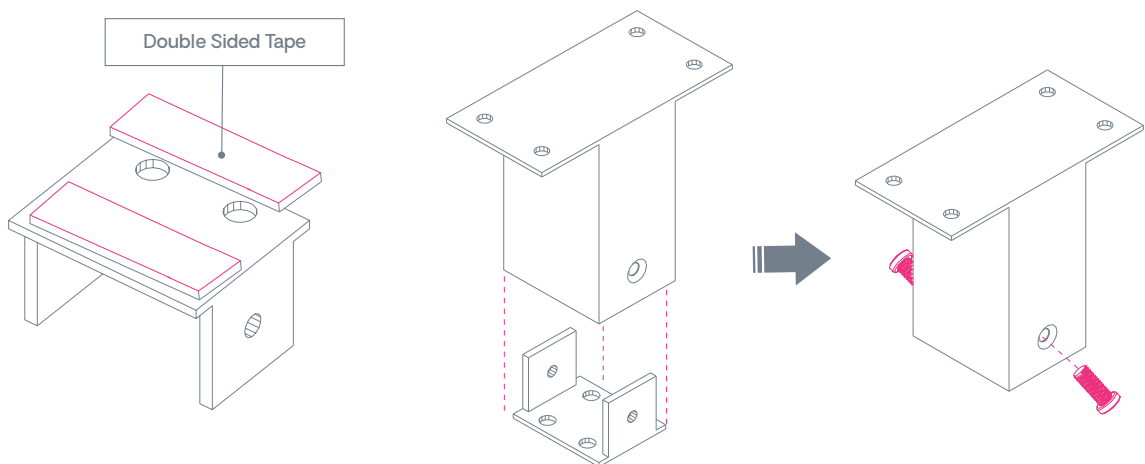
1 | Secure Leg to Surface

Place assembled laminate storage into final position. Secure BL24/BL30 leg to surface. Insert wood screws through leg bracket and into underside of surface.



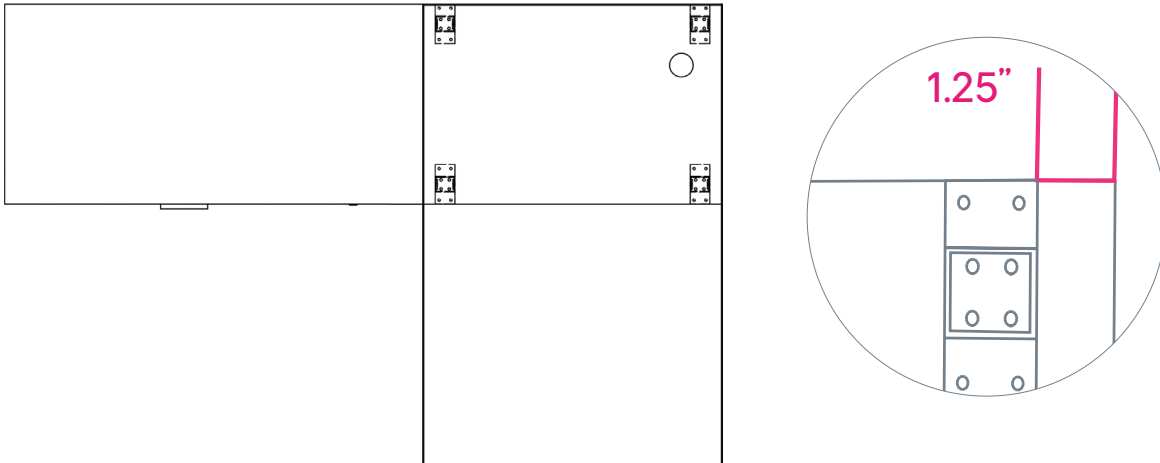
2 | Connect Surface Stand to Mounting Bracket

Measure, cut, and place double-sided tape on bottom of surface stands, leave paper backing on side facing out. Using 2 flat head bolts, connect surface stands to mounting brackets.



3 | Align and Attach Brackets to Surface

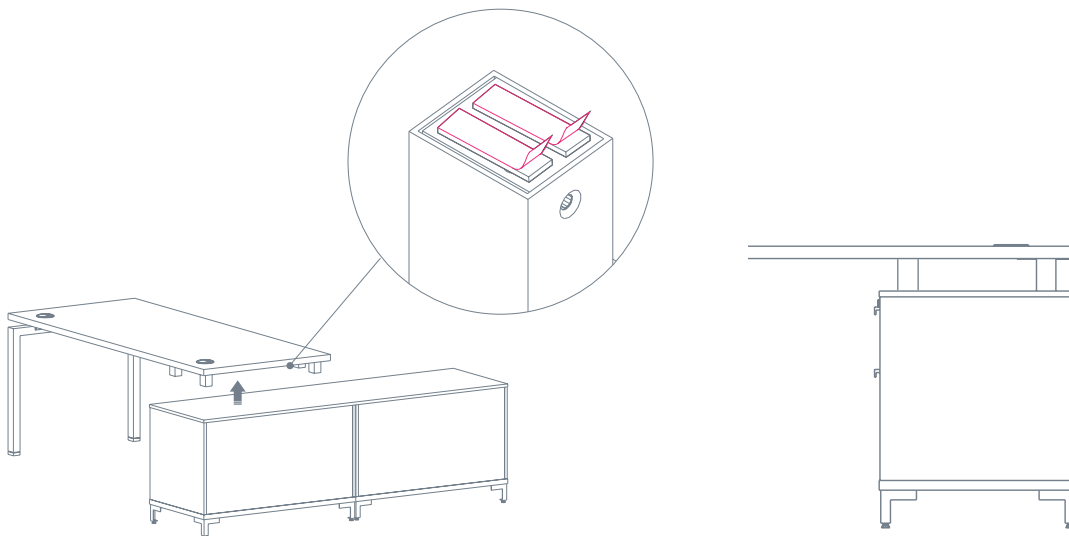
Align brackets with edge of outside surface, then measure 1.25" between mounting bracket and front/back of surface. Insert 4 wood screws per surface stand.



4 | Flip and Align Brackets

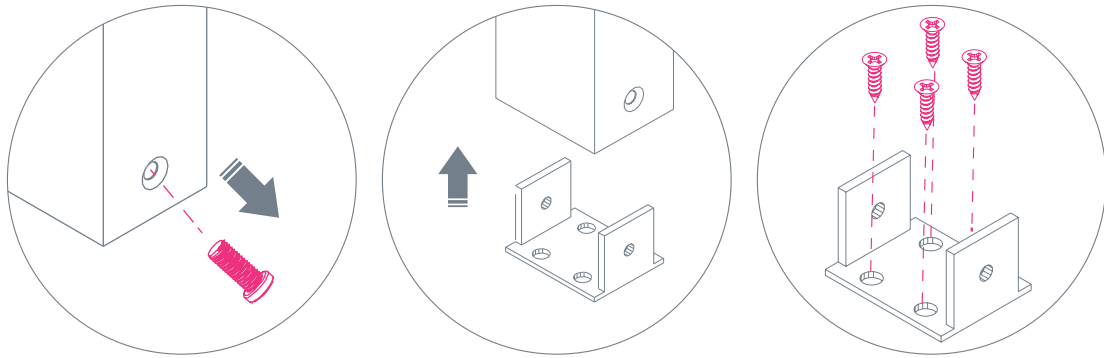
Flip surface assembly upright, place stands on laminate storage and align as desired. Once aligned, lift surface upward and off of storage piece. Remove paper backing from double-sided tape and lower surface back down to allow tape to stick to top of storage unit.

NOTE: If installing a full width modesty panel, leave additional space between desktop surface and lateral to accommodate the panel.



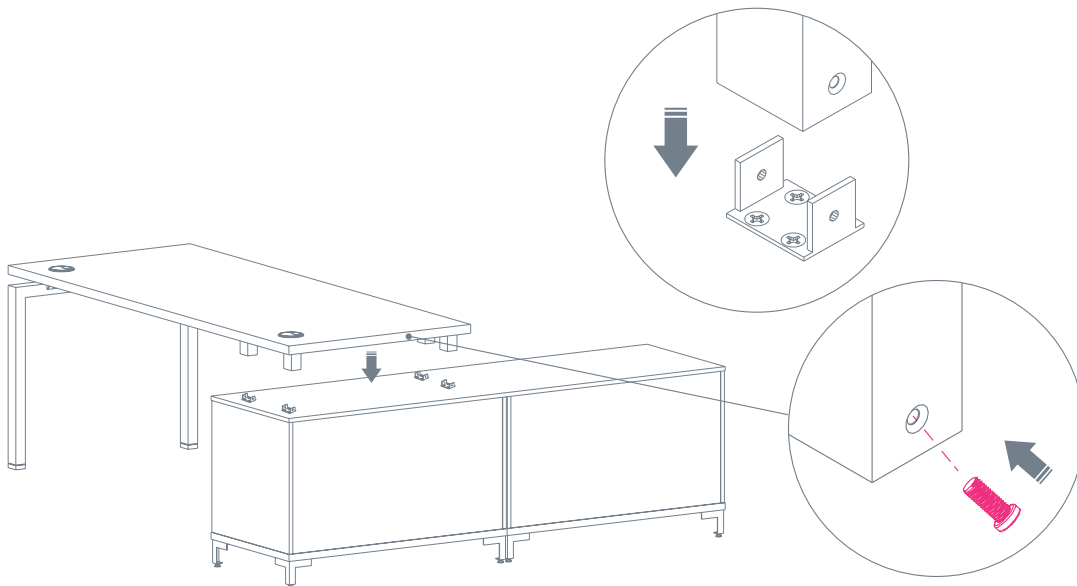
5 | Detach Bracket from Stand to Secure

Remove bolts holding stand and bracket together and carefully lift surface assembly away from mounting brackets. Mounting brackets should remain on surface. Use wood screws to secure bracket.



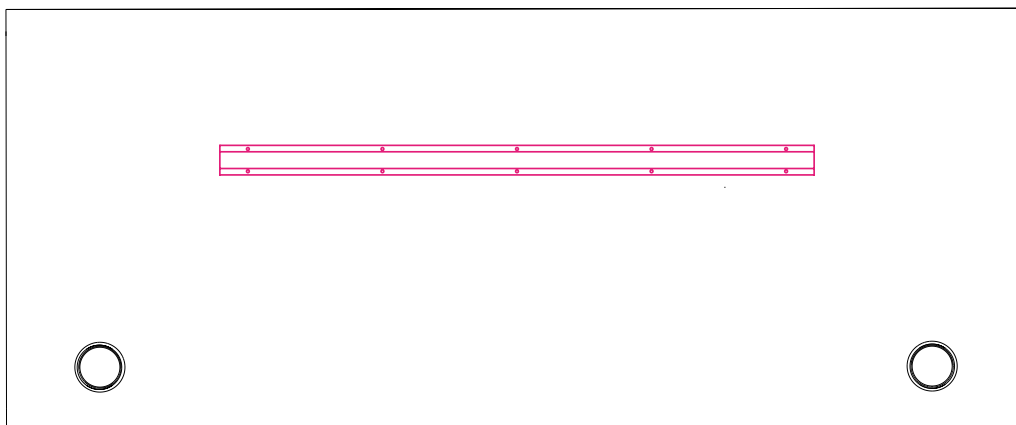
6 | Place Stand onto Bracket and Secure

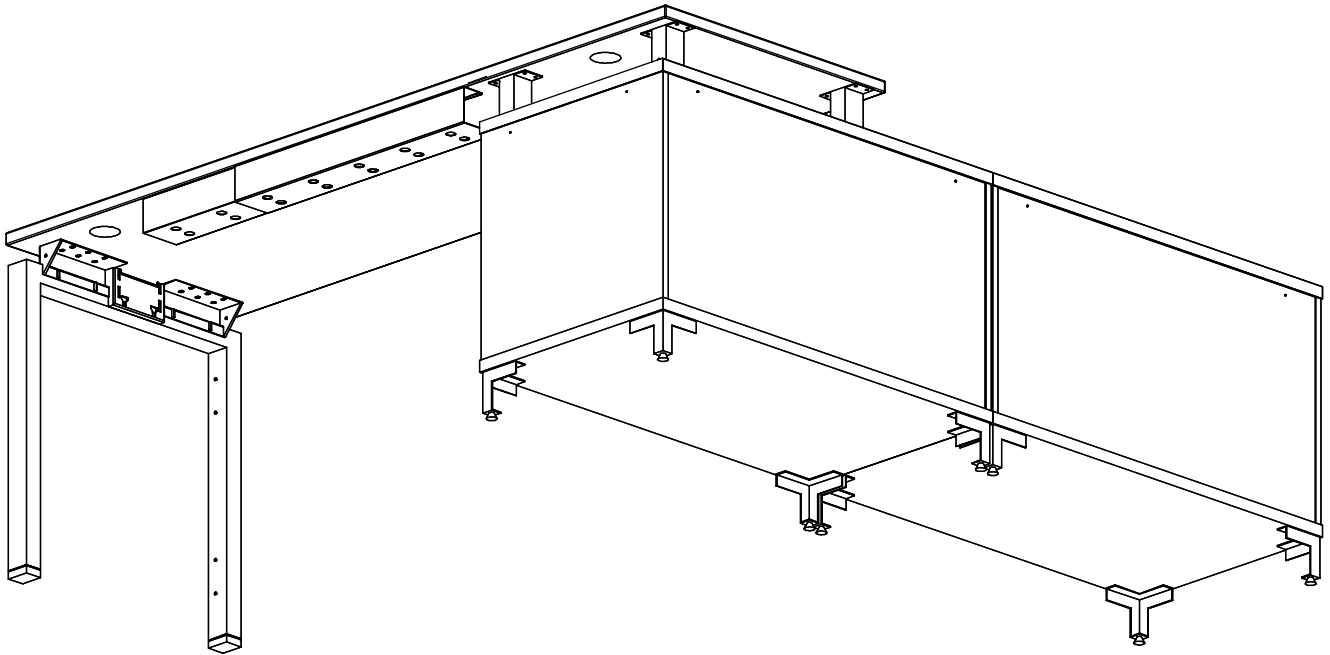
Check and tighten any bolts and pieces to finish.



7 | Install Support Bar

If working with a 66" or 72" surface, use 10 wood screws to install support bar under surface.





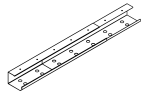
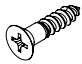
A1: Surface-Mount Cable Management Tray

Overview

Acuity Desk

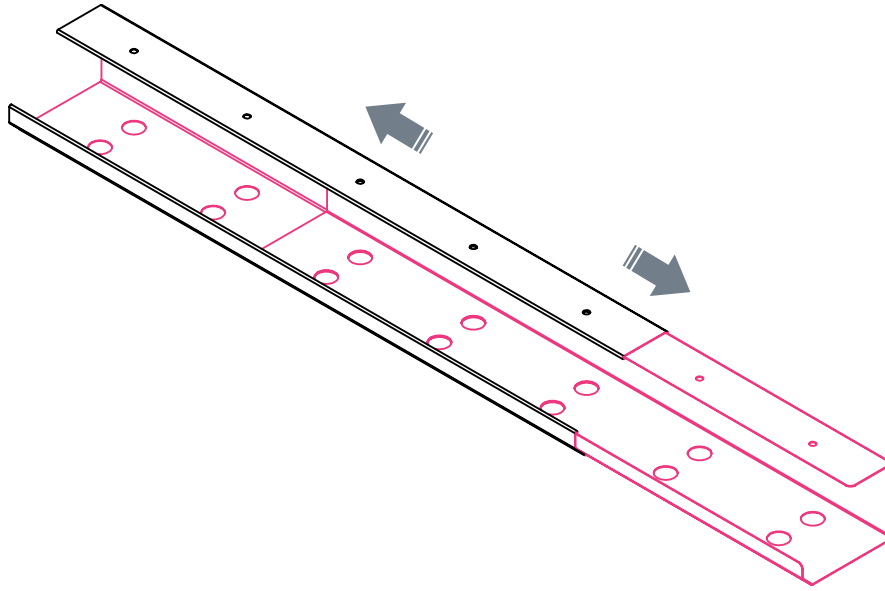
 If workstations have power, refer to JOT power guide.

Parts List

Code	Qty.	Description	
BHCT	1	Surface-Mount Cable Management Tray	
	10	Wood Screws	

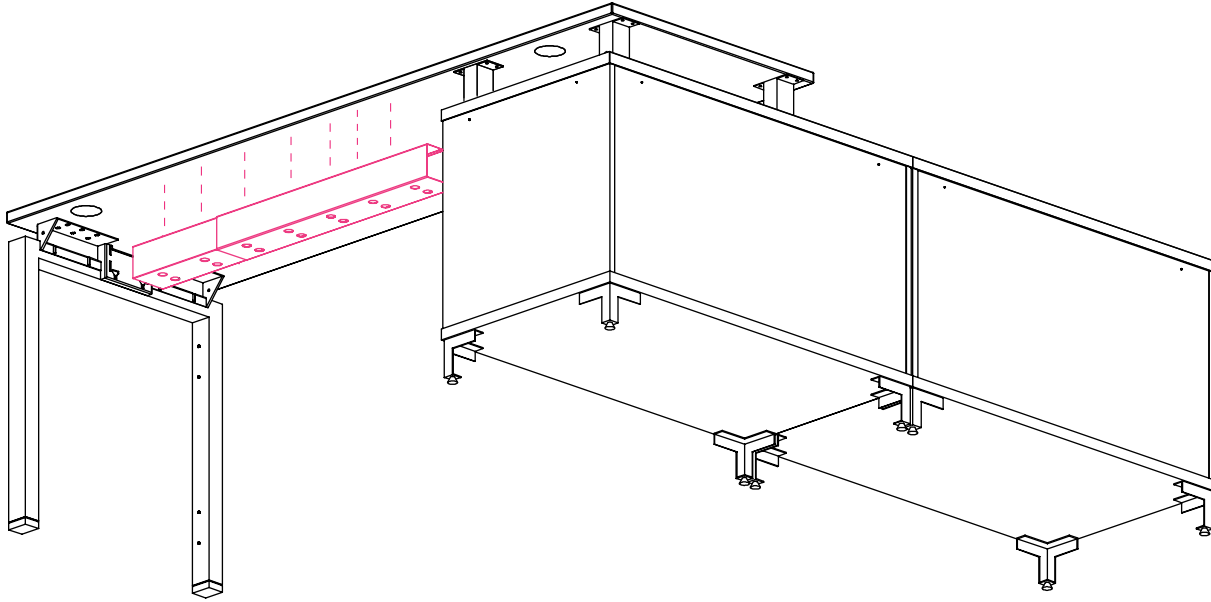
1 | Extend Cable Tray to Desired Length

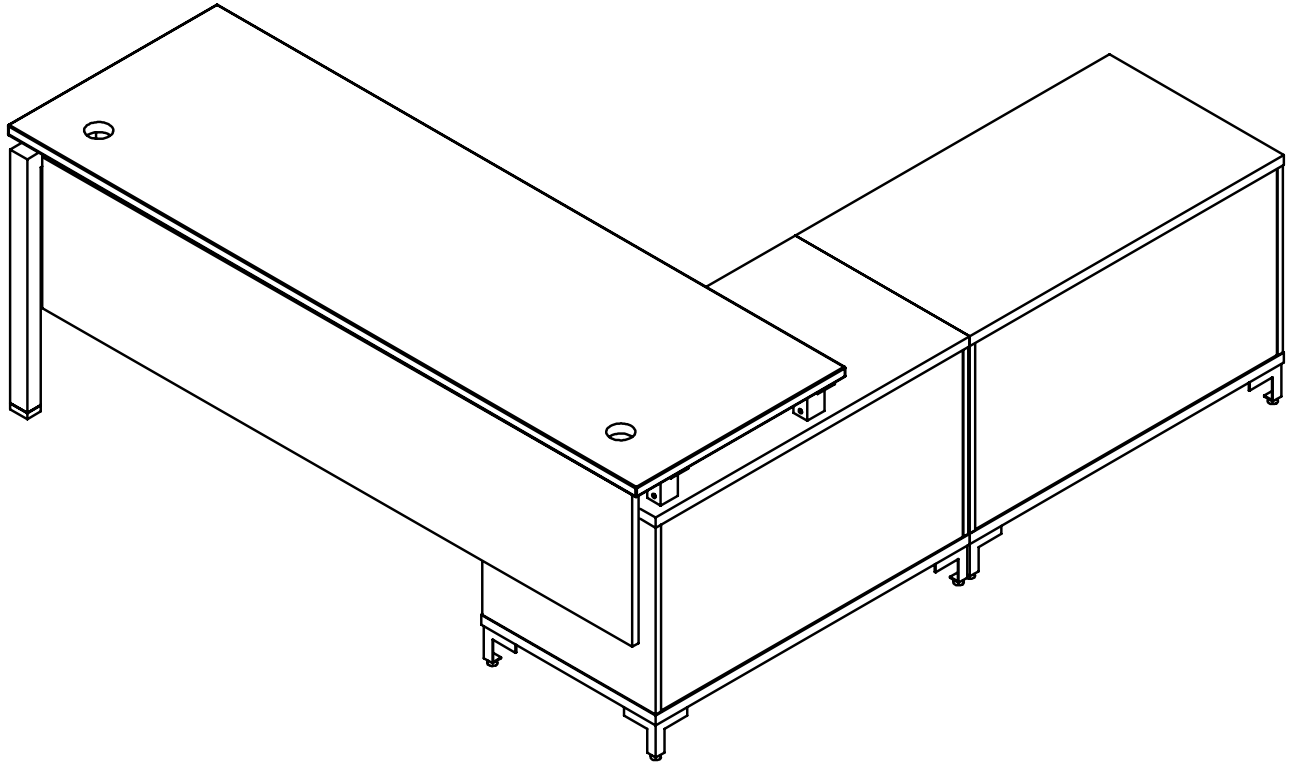
Extension range: 25"–45".



2 | Attach Cable Tray to Surface

Attach cable tray using wood screws.





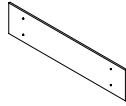


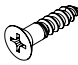
A2: Modesty Panel

Overview

Acuity Desk

⚠ All parts listed are for a single modesty panel; additional parts will be needed for additional modesty panels.

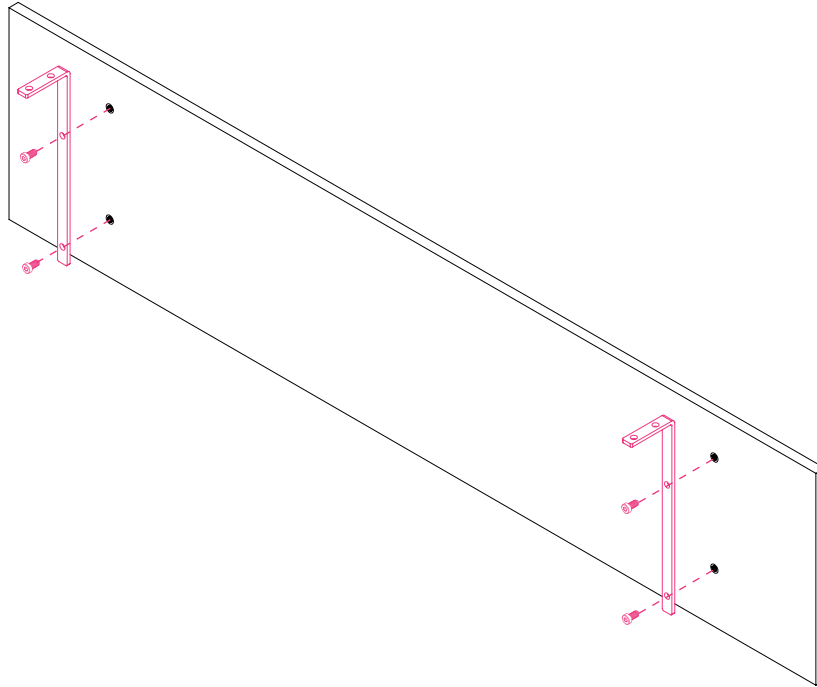
Parts List

Code	Qty.	Description	
GLMP##	1	Laminate Modesty Panel*	
	4	Machine Screws	
BMPBFB	2	L-Brackets	
	4	Wood Screws	

*For Steel Modesty Panel: components may vary, but process is similar.

1 | Secure Brackets to Modesty Panel

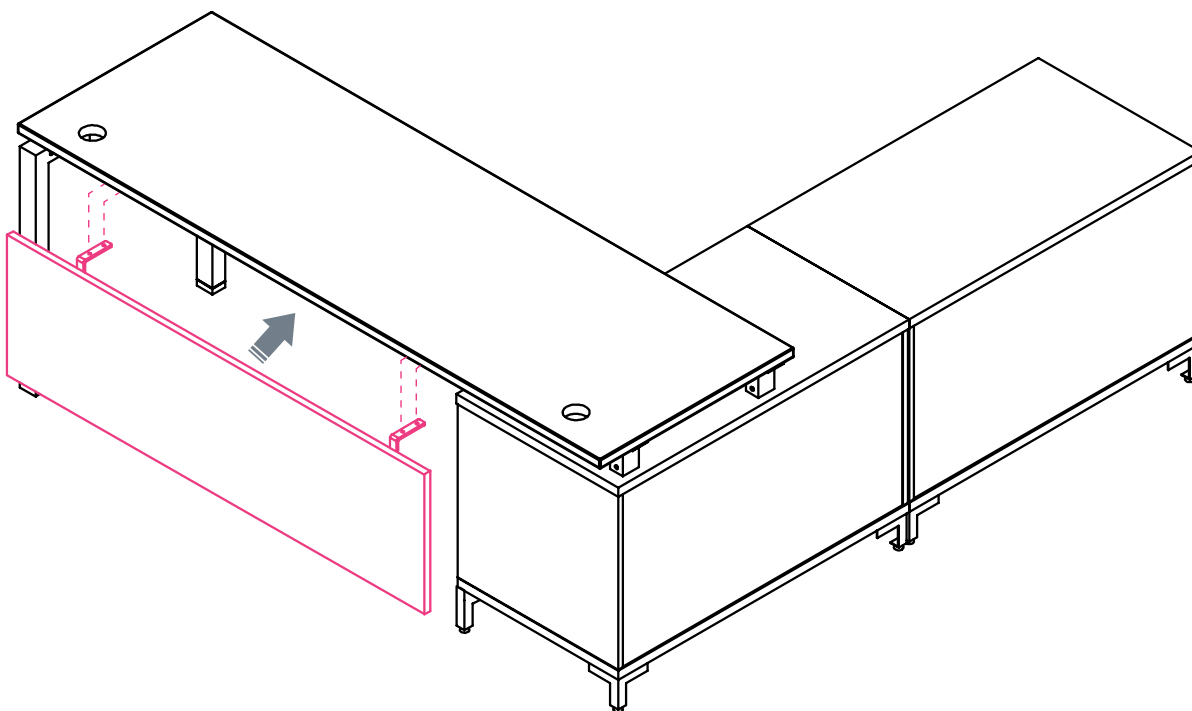
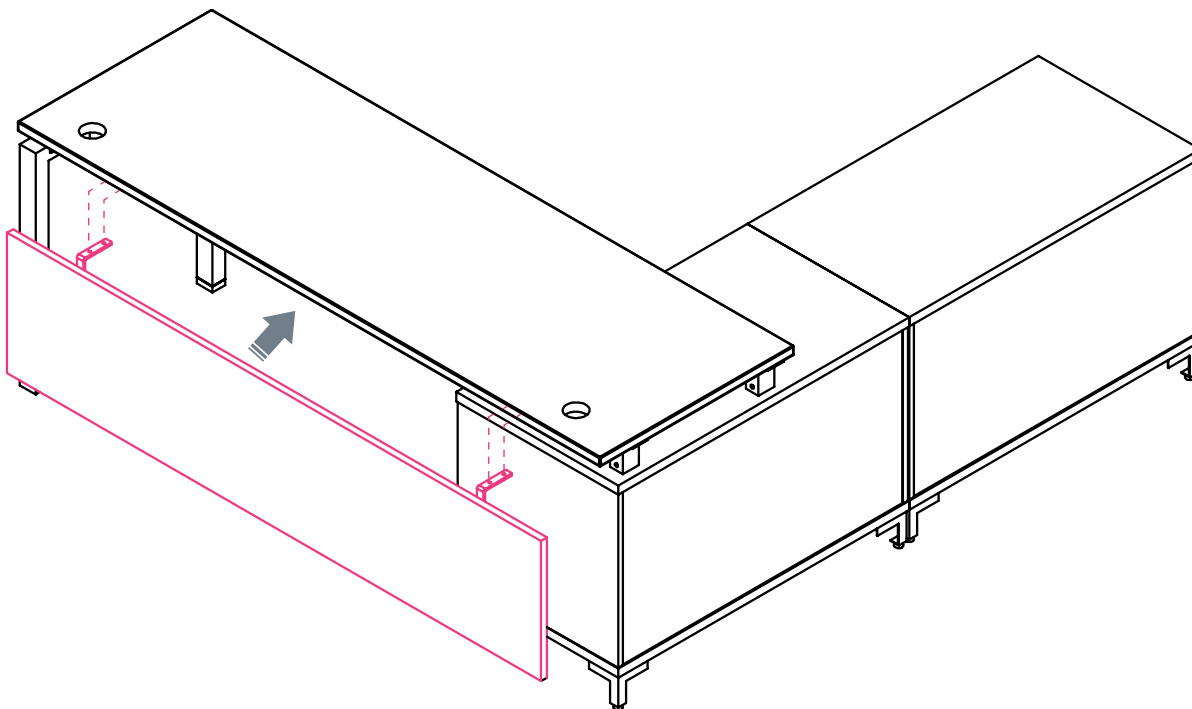
Connect the BMPBFB bracket to modesty panel using screws. Secure tightly.

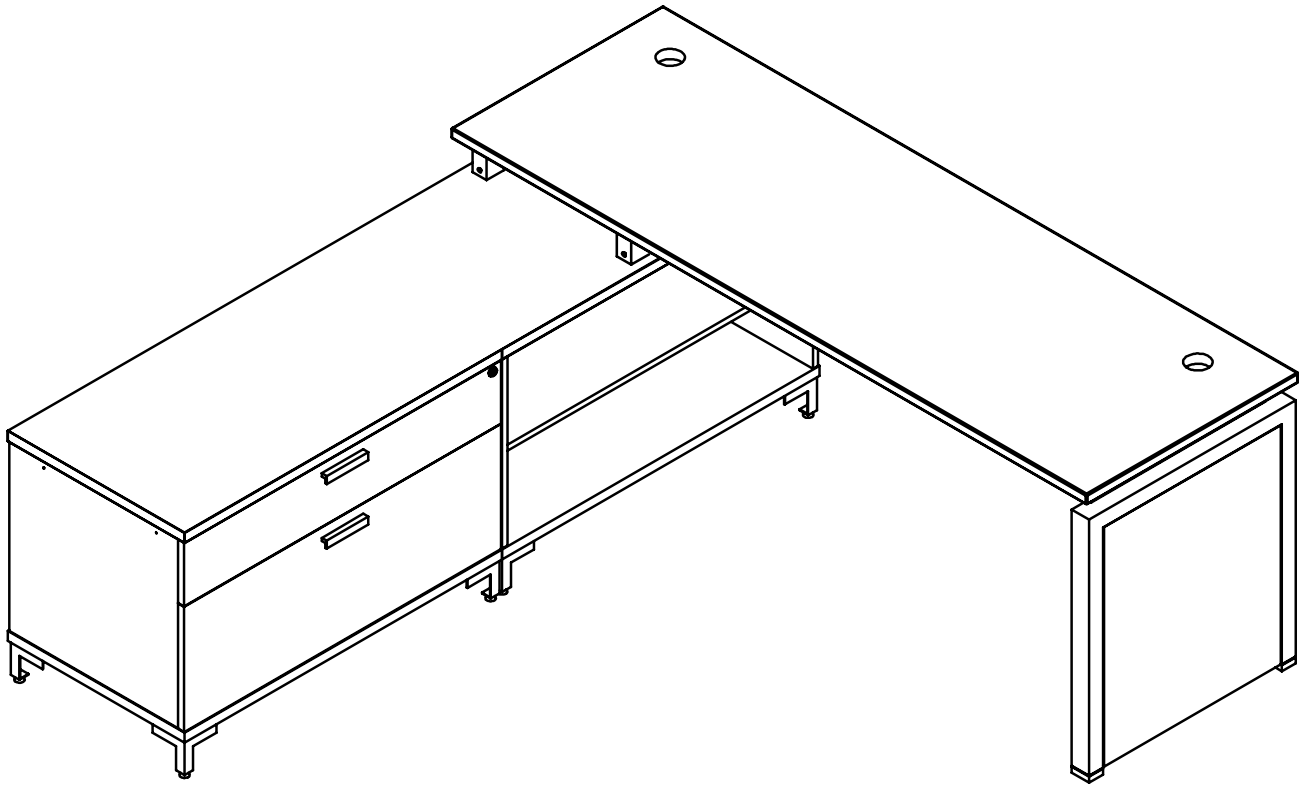


2 | Attach Modesty Panel to Surface

Attach modesty panel to surface using wood screws provided with brackets. Panel will be center aligned and flushed with back of surface.

NOTE: Smaller modesty panels will fit in between leg and lateral.





A3: Laminate Inset End Panels

Overview

Acuity Desk

! All parts listed are for a single panel; additional parts will be needed for additional panels.

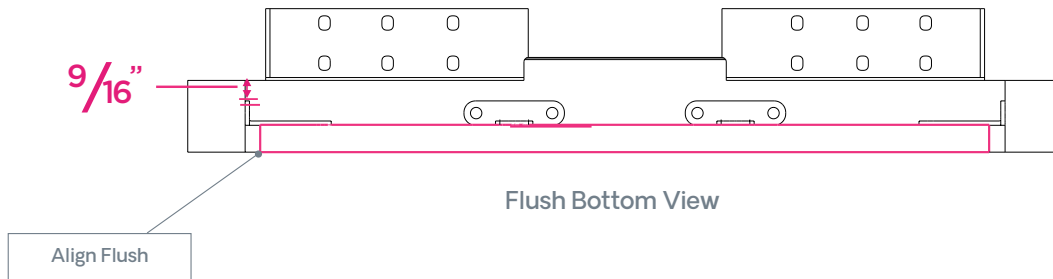
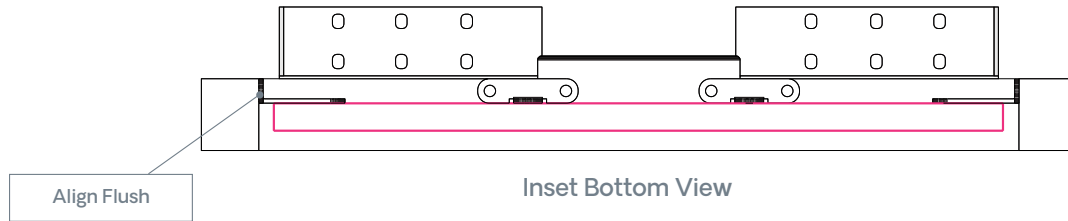
Parts List

Code	Qty.	Description	
LEPBL1	4	End Panel T-Bracket	
	8	Self-Tapping Screws	
	8	Wood Screws	
GBEP##	1	Laminate Inset End Panel	

1 | Secure Bracket to End Legs

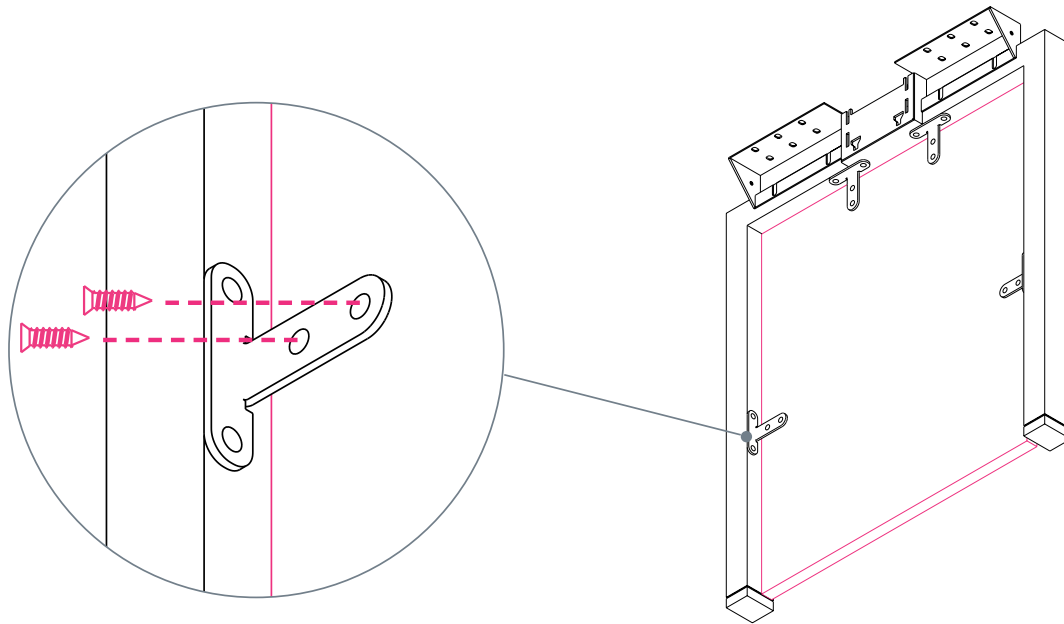
Attach 4 brackets to end leg using self-tapping screws.

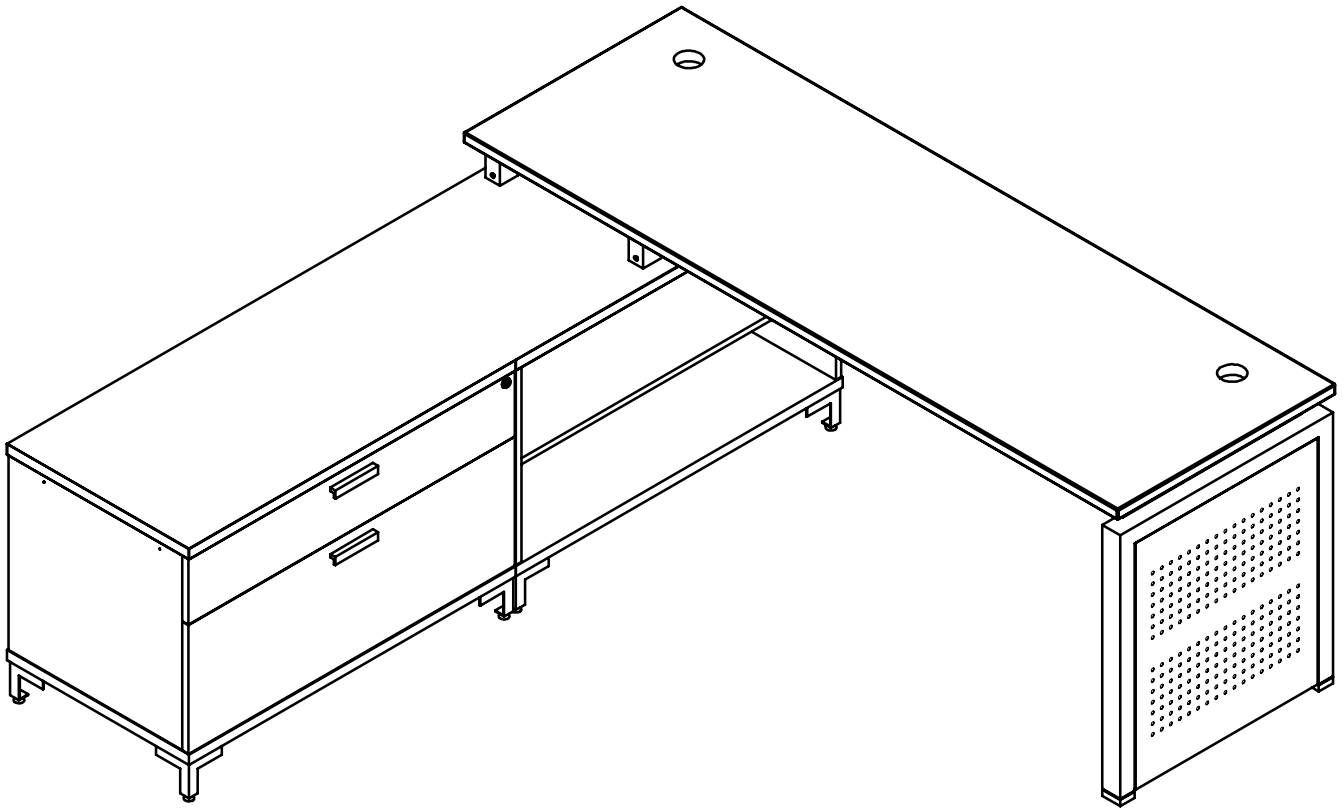
1. Inset-back of the bracket will align flush with edge of leg.
2. Flush-back of bracket will be $9/16$ " from edge back edge of leg.



2 | Attach End Panel

Slide end panels into place and adjust until flush with bracket. Use 2 wood screws to secure panel to each bracket.






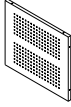

A4: Steel Inset End Panels

Overview

Acuity Desk

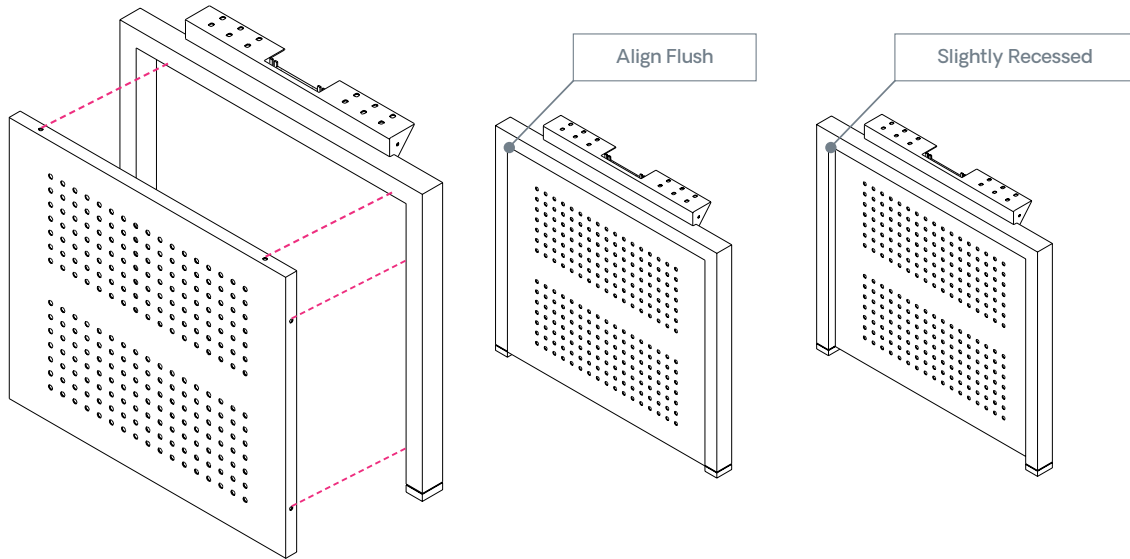
 All parts listed are for a single panel; additional parts will be needed for additional panels.

Parts List

Code	Qty.	Description	
BEP##	1	Steel Inset End Panel	
	6	Self-Tapping Screws	

1 | Secure Panels to End Legs

Slide end panel into place and adjust until either flush with outside of leg or slightly recessed.



2 | Attach End Panel

Use 4-6 self-tapping screws to secure panel to each leg.

