






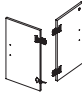









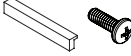

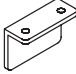
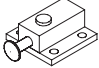

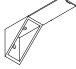



Conference Credenza

General Installation Guide

Parts List

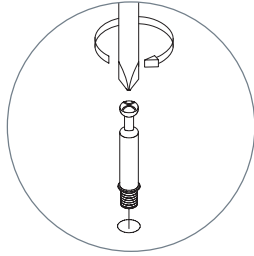
Code	Qty.	Description	
BLCC##	1	Bottom Panel	
	1	Top Panel	
	2	End Panel	
	1	Center Support Panel	
	1	Back Panel	
	1	Fixed Shelf 1	
	1	Fixed Shelf 2	
	4	Door	
	14	Wooden Dowel	
	34	Cam Lock	
	30	Cam Pin	
	2	Connecting Rod	

Code	Qty.	Description	
BLCC##	34	Cam Cover	
	4	Corner Foot	
	1	Center Footer	
	28	Wood Screw 1	
	48	Wood Screw 2	
	4	Handle w/ Screws	
	2	Lock	
	4	Corner Bracket	
	2	Latch	
WALAMCC.X	1	Custom FX Top Panel*	
Kit-LCCB	12	Plastic L-Bracket	
	24	Wood Screws	

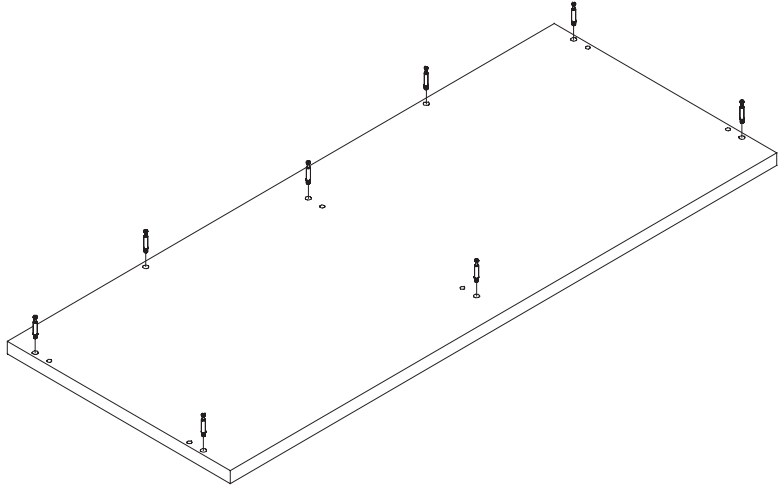
*If applicable. FX Top Panel does not include pre-drilled holes.

1 | Insert Hardware into Bottom Panel

Using a screwdriver, secure 8 cam pins into pre-drilled holes on bottom panel of credenza.

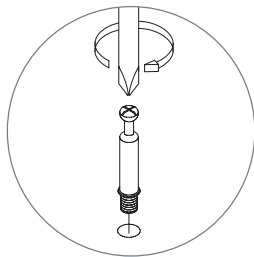


Cam Pin

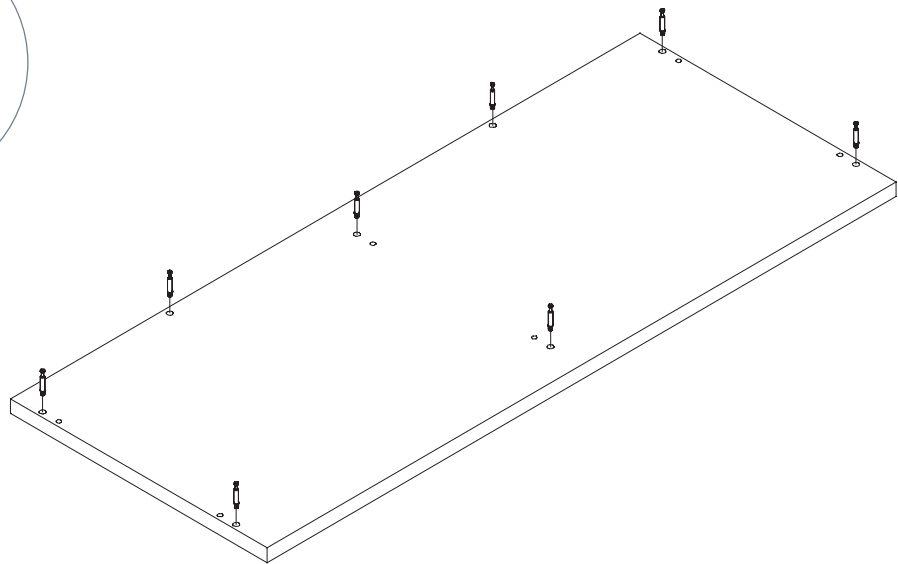


2 | Insert Hardware into Top Panel

Using a screwdriver, secure 8 cam pins into pre-drilled holes on top panel of credenza.



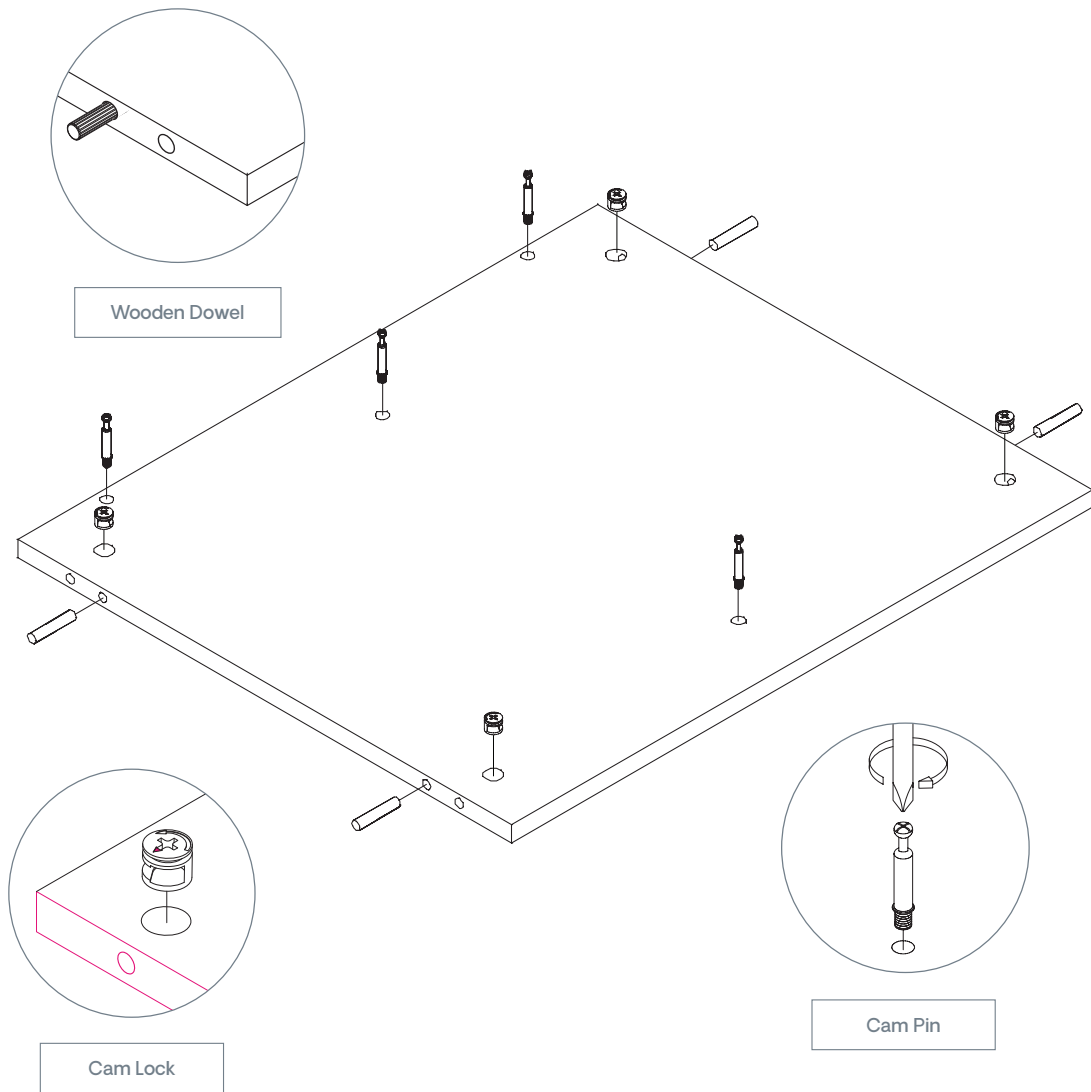
Cam Pin



3 | Insert Hardware into Fixed Shelf

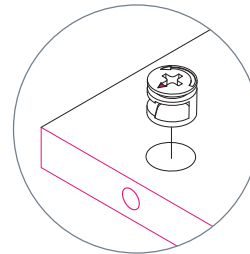
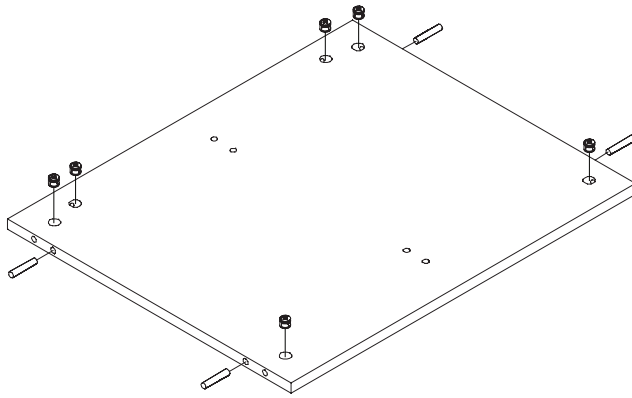
Using a screwdriver, secure 4 cam pins into pre-drilled holes as they are shown below, for each panel. Insert 4 wooden dowels and 4 cam locks into pre-drilled holes at top and bottom of panel.

Note: Repeat steps for both side panels.

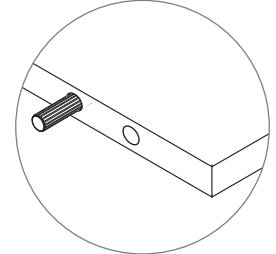


4 | Insert Hardware into Center Support Panel

Insert 4 wooden dowels and 6 cam locks into pre-drilled holes in panel.



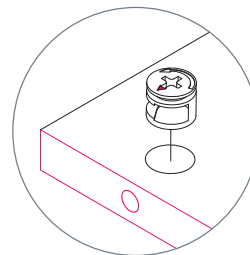
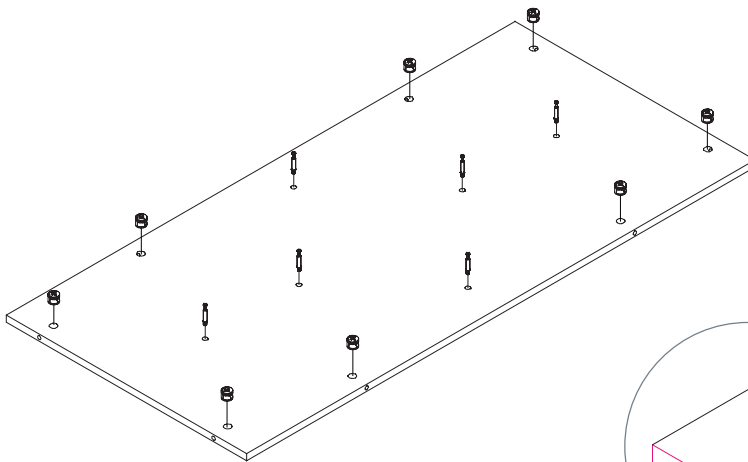
Cam Lock



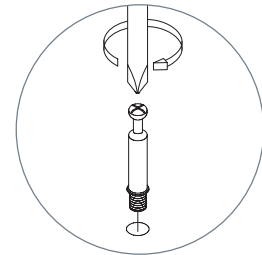
Wooden Dowel

5 | Insert Hardware into Back Panel

Using a screwdriver, secure 6 cam pins and 8 cam locks into pre-drilled holes in panel.



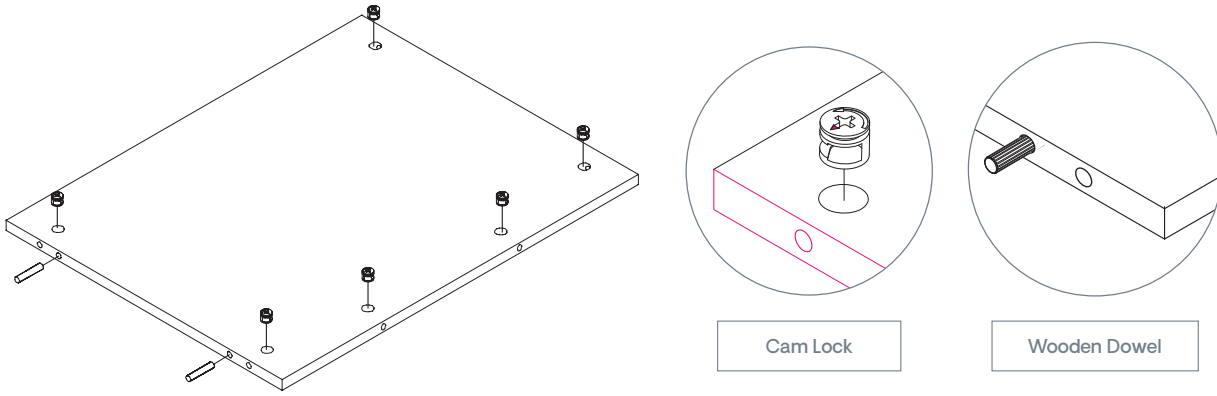
Cam Lock



Cam Pin

6 | Insert Hardware into Fixed Shelf #1

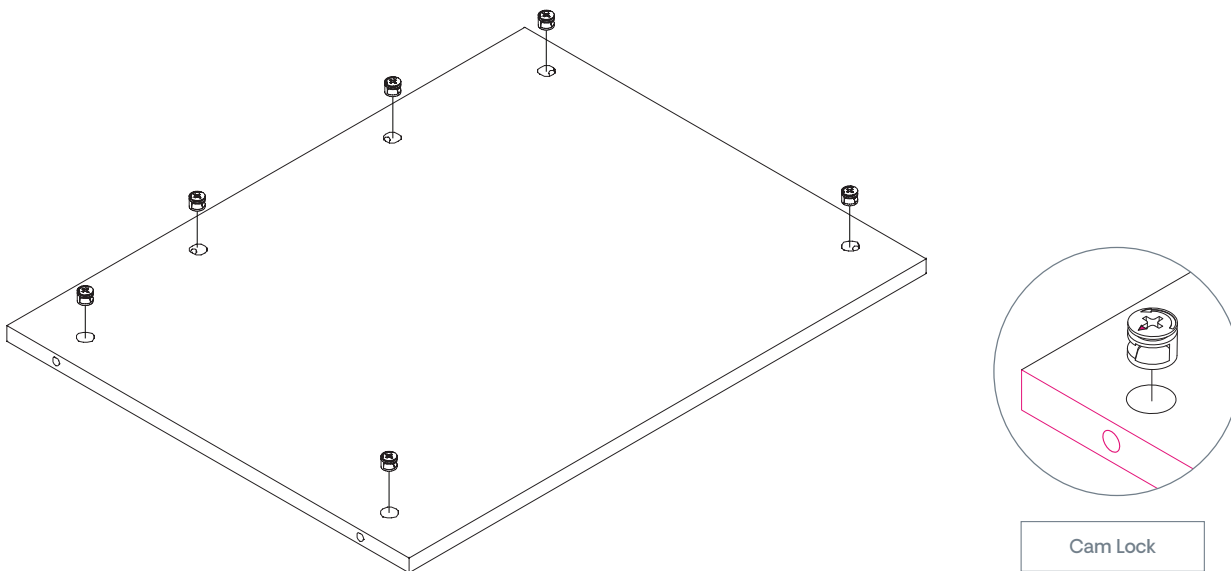
Insert 2 wooden dowels into pre-drilled holes at bottom of panel. Insert 6 cam locks into pre-drilled holes on side of panel.



7 | Insert Hardware into Fixed Shelf #2

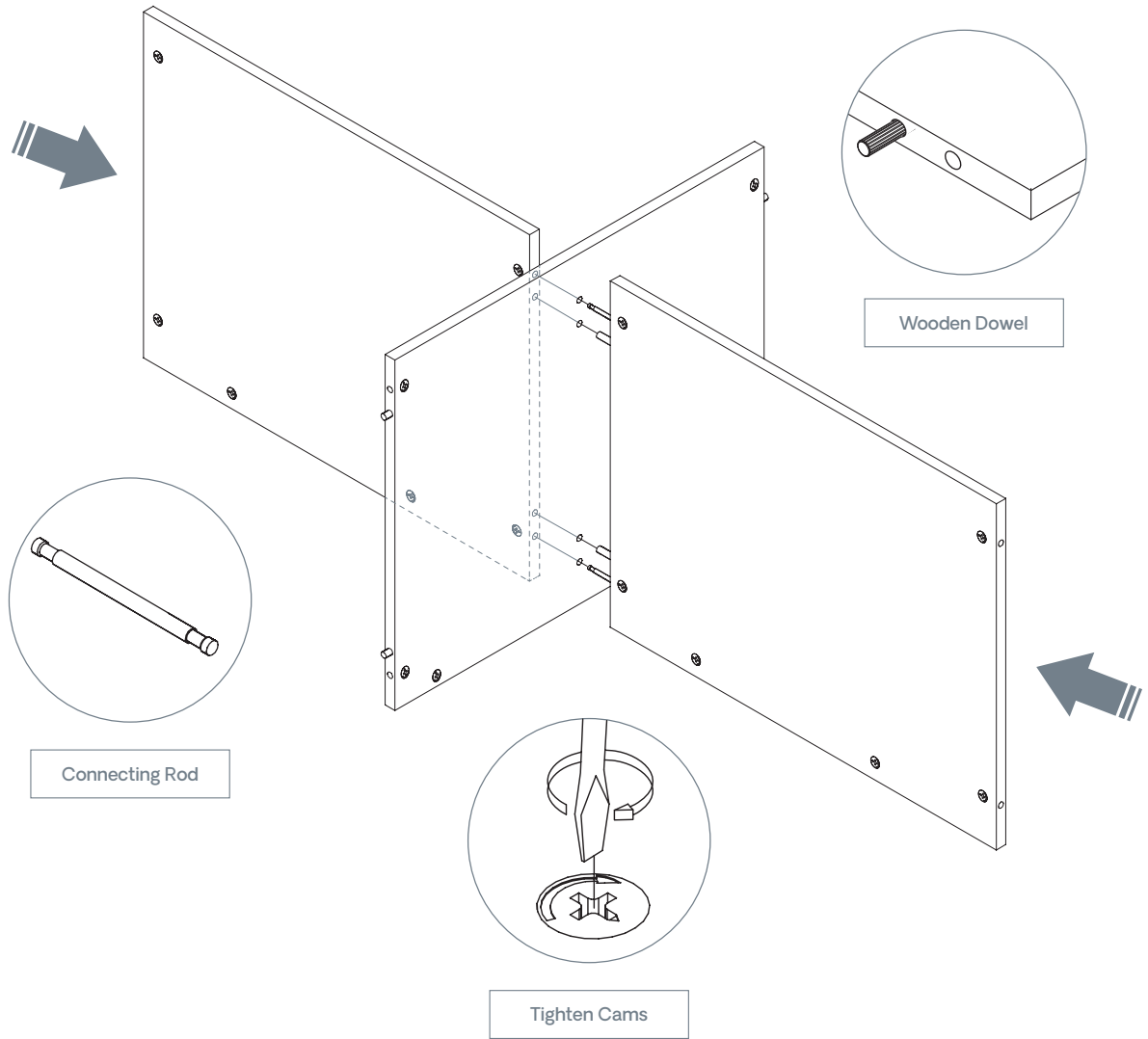
Insert 6 cam locks into pre-drilled holes at top and bottom of panel.

Note: Repeat steps for both side panels.



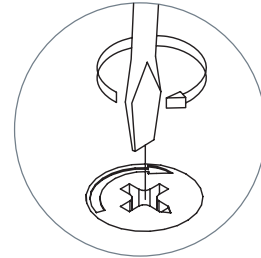
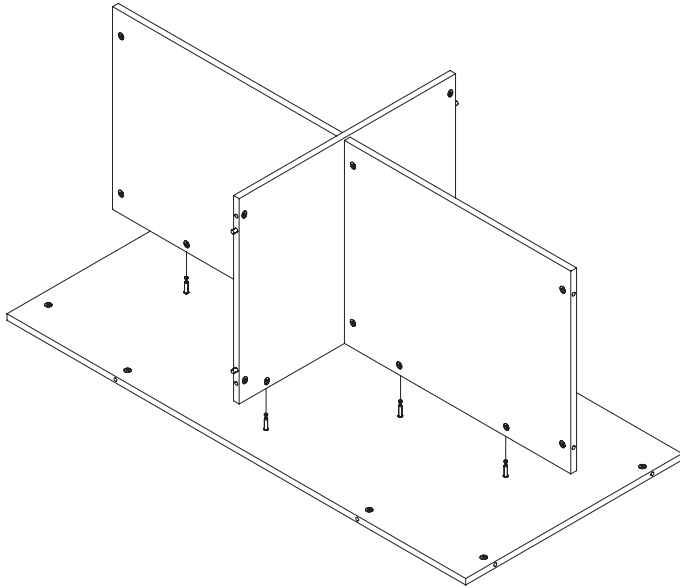
8 | Secure Fixed Shelves to Center Support Panel

Pass 2 wooden dowels and 2 connecting rods through center support panel and insert into sides of both of fixed shelf panels. Using a screwdriver, turn 4 cam locks to lock connecting rods in place.



9 | Secure Back Panel to Assembled Structure

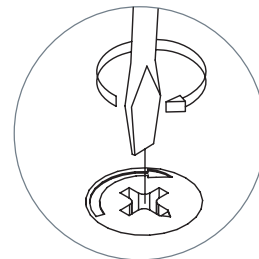
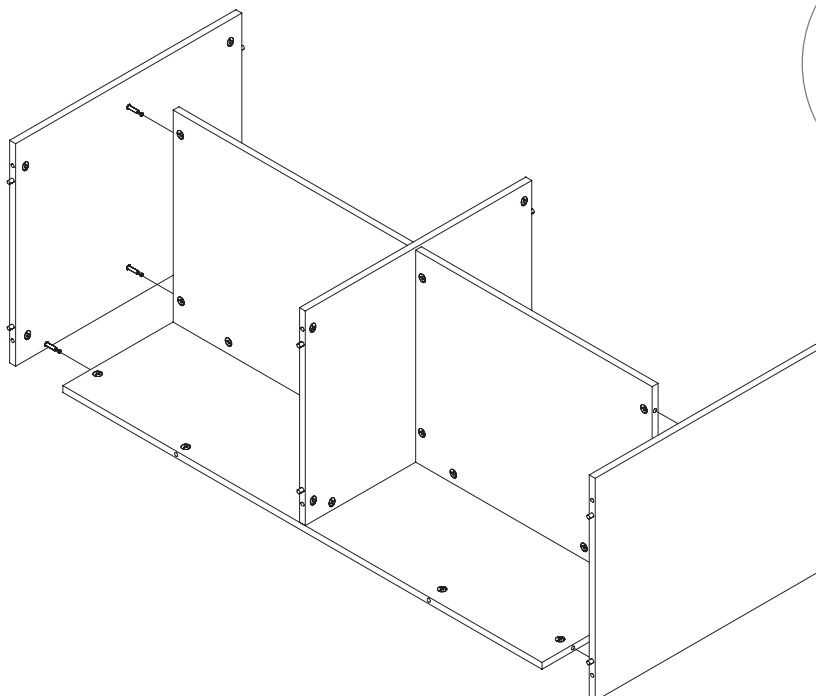
Align cam pins with open cam locks on assembled structure.
Using a screwdriver, turn 6 cam locks to lock cam pins in place.



Tighten Cams

10 | Secure End Panels to Assembled Structure

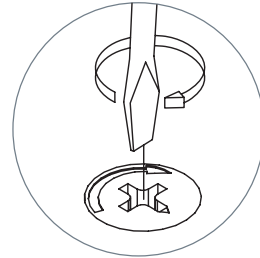
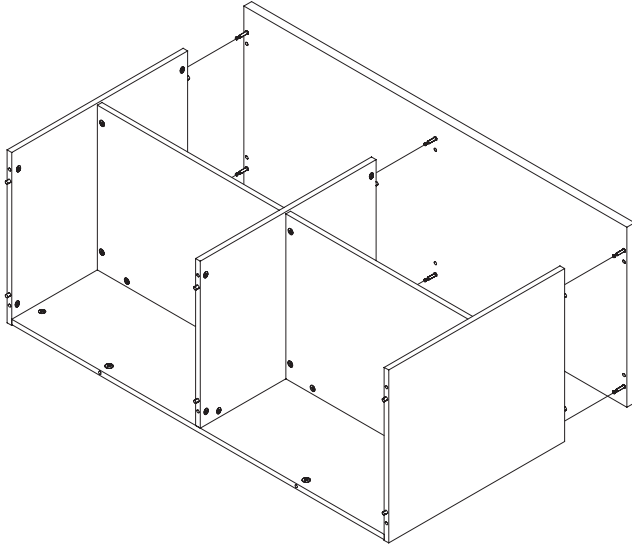
Align cam pins with open cam locks on assembled structure. Using a screwdriver,
turn 8 cam locks to lock cam pins in place.



Tighten Cam Locks

11 | Secure Bottom Panel to Assembled Structure

Align the cam pins with open cam locks on assembled structure. Using a screwdriver, turn 8 cam locks to lock cam pins in place.

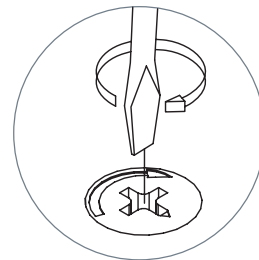
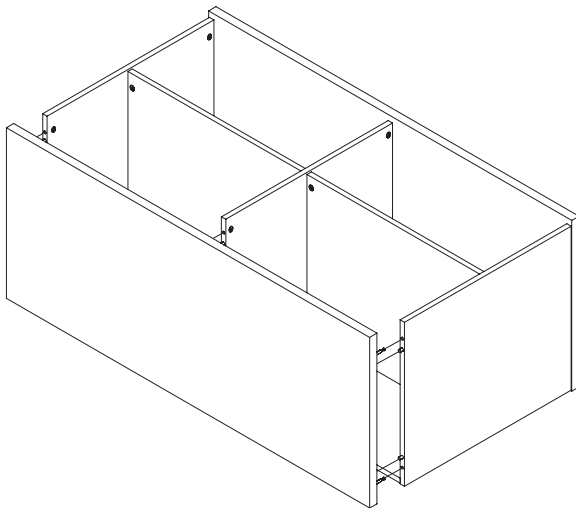


Tighten Cam Locks

12 | Secure Top Panel to Assembled Structure

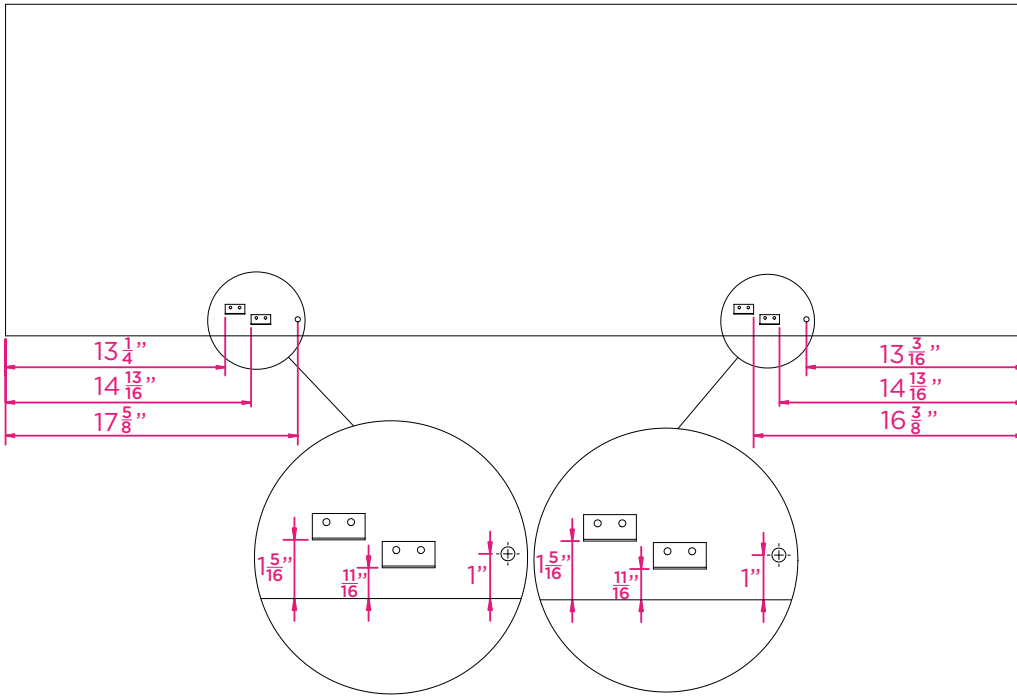
(A) Quick-Ship (1" Thick) Top: Align cam pins with open cam locks on assembled structure. Using a screwdriver, turn 8 cam locks to lock cam pins in place.

Note: If Credenza has an 1.25" top, skip to 12B.

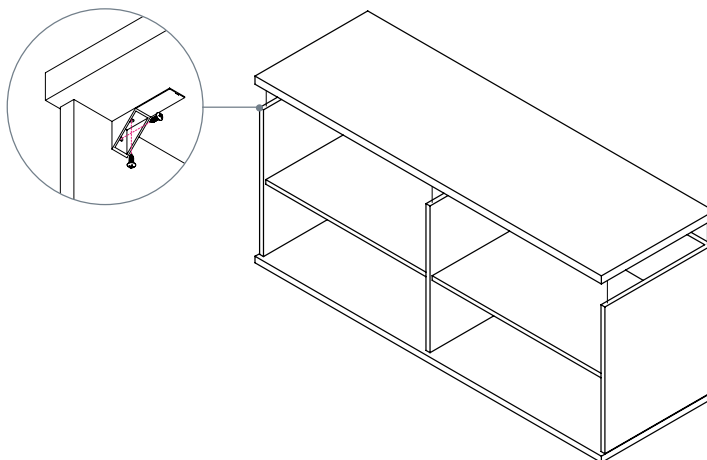
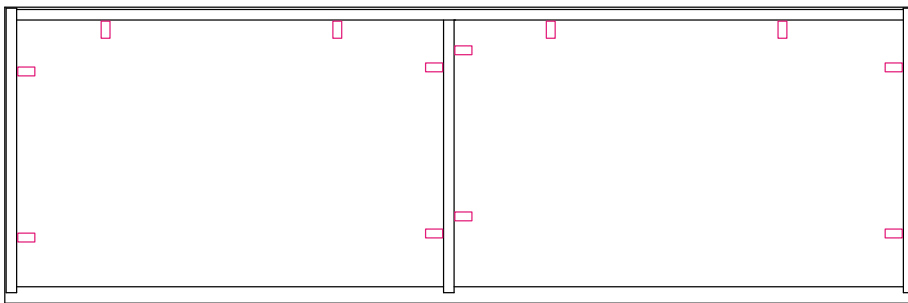


Tighten Cam Locks

(B) Custom (1.25" Thick) Top: Drill 2.5" deep holes with a 5/16" drill bit. Holes should be 17 5/8" from the left edge, 16 3/8" from right edge and 7" from bottom edge.

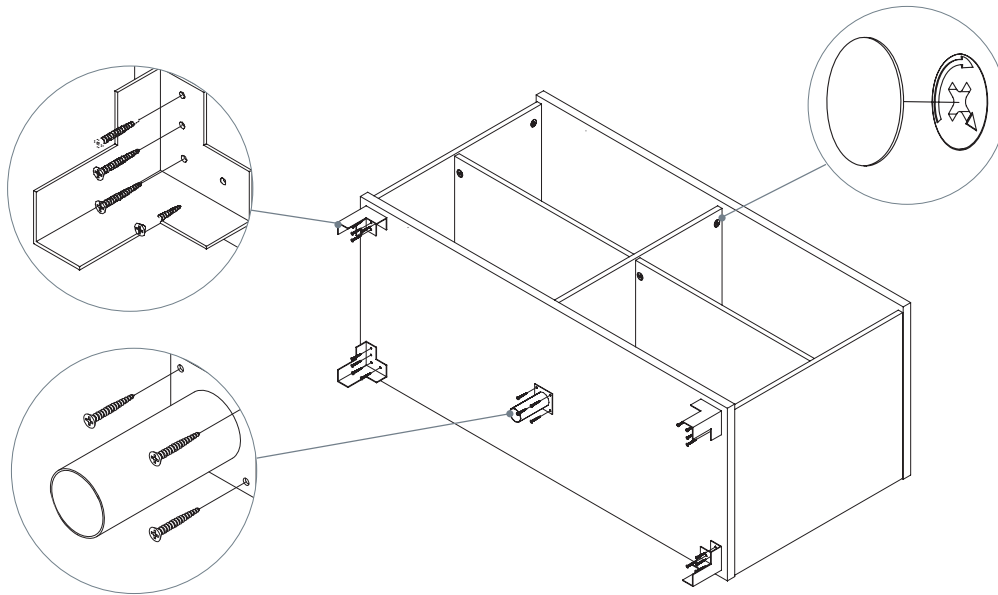


Attach corner braces in location shown below. Insert 2 wood screws through each of corner braces into top and side panels.



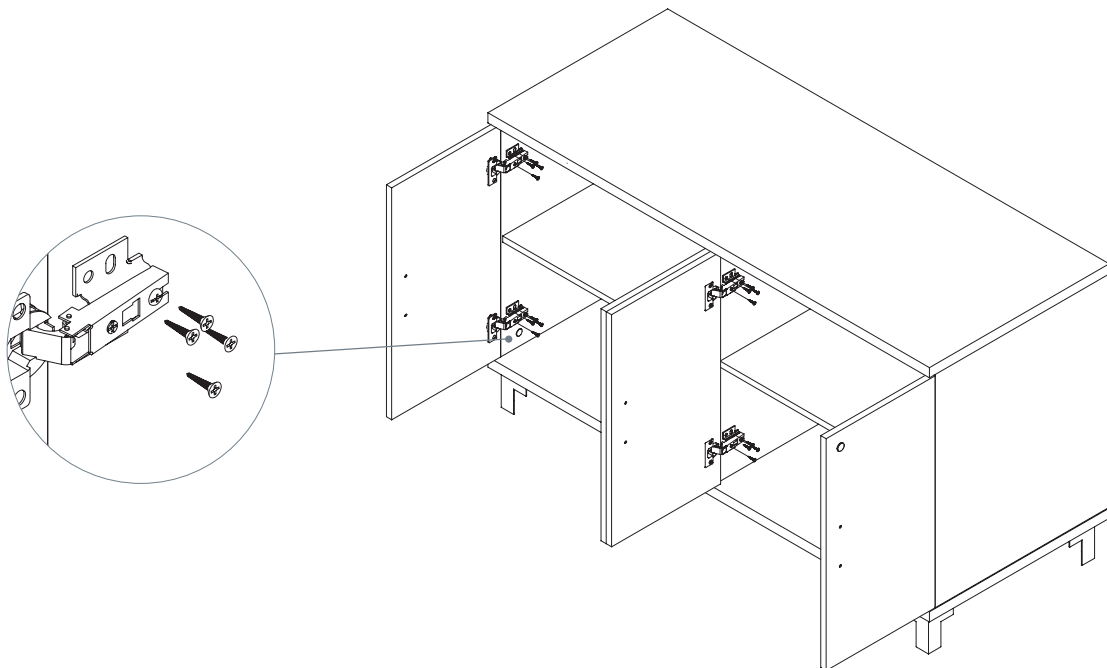
13 | Secure Feet to Bottom Panel

Attach corner feet and center foot to bottom panel with 4 wood screws per foot. Cover all exposed cam locks with cam covers.



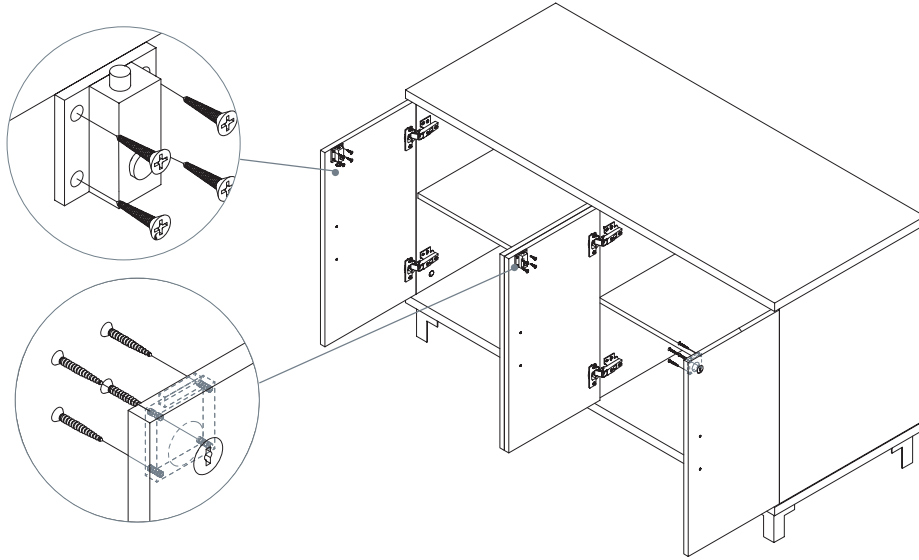
14 | Secure Doors to Credenza

Use 4 wood screws to side and center panels.



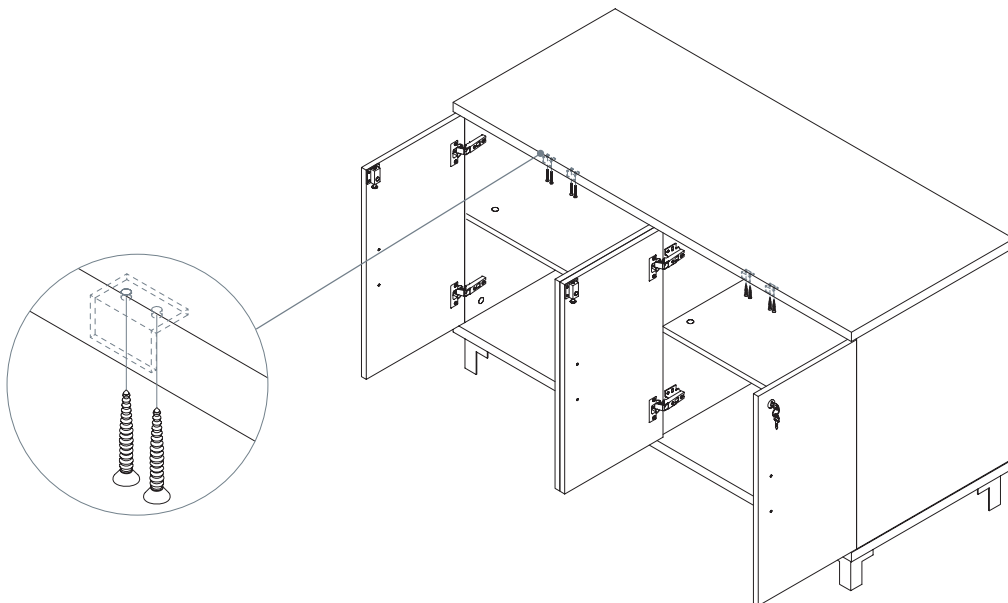
15 | Secure Locks and Latches to Doors

Align cam pins with open cam locks on assembled structure. Using a screwdriver, turn 6 cam locks to lock cam pins in place.



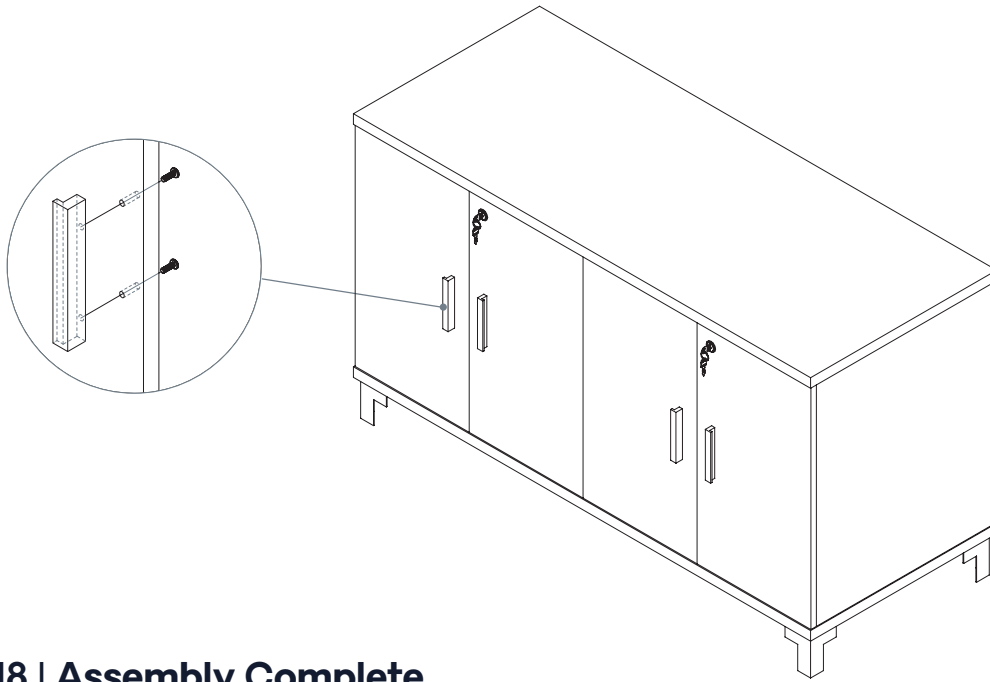
16 | Attach Corner Brackets to the Top Panel

Attach brackets to underside of top panel using 2 wood screws each.



17 | Attach Handles to Each Door

Attach using 2 wood screws for each handle.



18 | Assembly Complete

