

## Series II

### Monitor Arm

Includes Add-Ons: **A1**

---

General Installation Guide

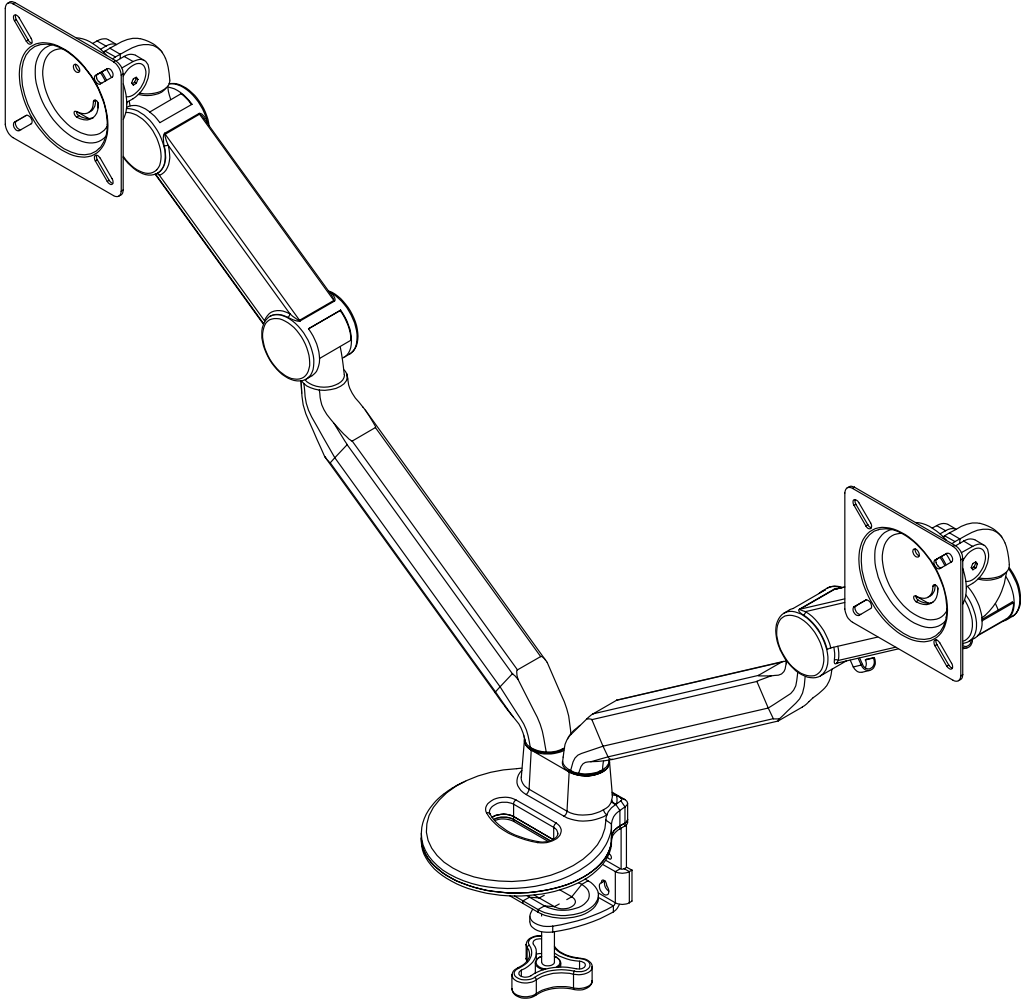


**Edition Code**

NXMA :: Monitor Arm..... 1

**Add-ons**

A1 :: Laptop Tray..... 11



## Monitor Arm




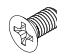

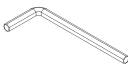
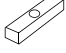


### Overview

---

Series II

**⚠** Product loading capacities are based on monitor's center of gravity less than 3cm from the end of the monitor plate interface. Loading capacity could be reduced if monitor size is greater than 26" or depth is greater than 5.5cm.

**Parts List**

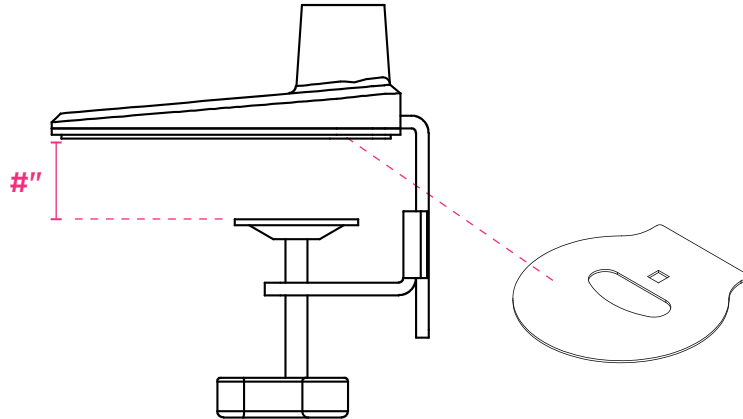
Code	Qty.	Description	
NXMA	2	Monitor Plate	
	2	Upper Arm	
	2	Lower Arm	
	1	Clamp	
	1	Adhesive Pad	
	8	Set Screw	
	2	Machine Screw	
	2	Flat Head Machine Screw	
	1	Allen Key (2mm)	
	1	Allen Key (4mm)	
	1	Allen Key (5mm)	
	1	Carriage Bolt	
	1	Grommet Bar	
	2	Hex Nut	
	1	Flat Washer	
1	Wrench		

## 1A | Clamp Assembly Option

### (a) Smaller Desk Thickness: Use Upper Attachment Positioning

Adhere pad to clamp base, then clamp to desk edge.

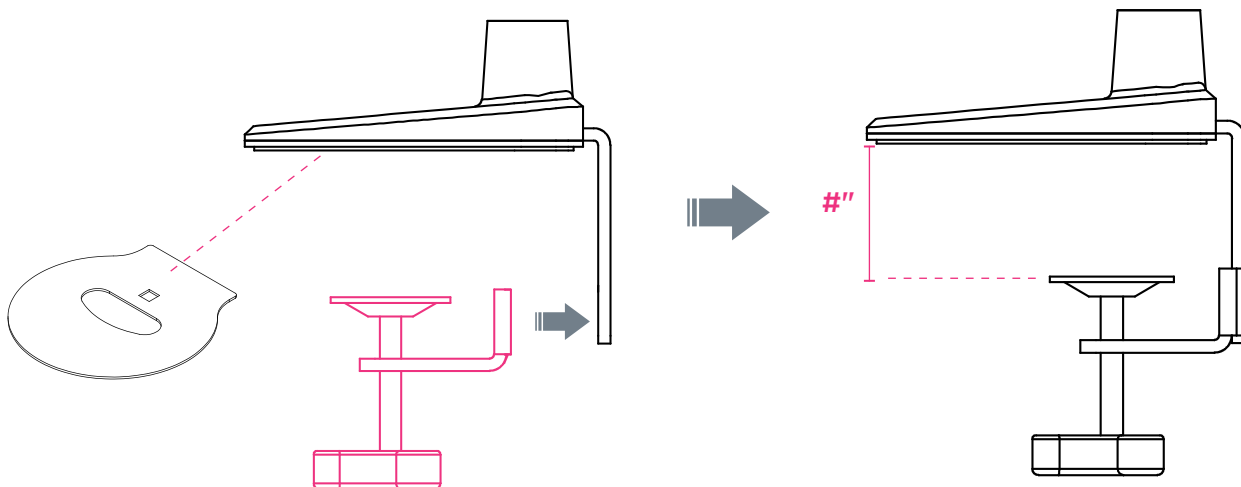
NOTE: (#)=clamp opening for desk thicknesses between  $1/2"$  –  $1\ 3/16"$



### (b) Larger Desk Thickness: Use Lower Attachment Positioning

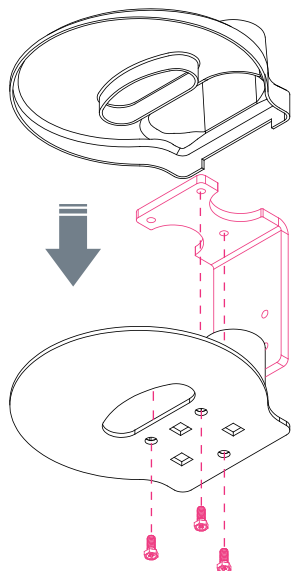
Adhere pad to base and remove clamp. Reposition clamp to lower tiered holes at bottom of clamp. Fasten clamp back to base using Allen key (4mm) and clamp to desk edge.

NOTE: (#)=clamp opening for desk thicknesses between  $1\ 1/8"$  –  $2\ 9/16"$

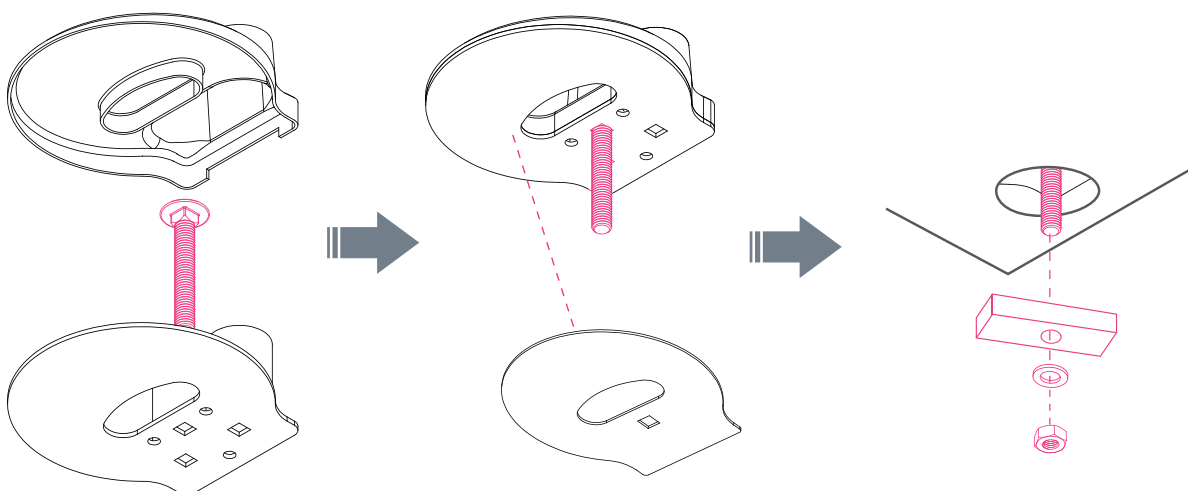


## 1B | Grommet Assembly Option

Skip to step 2 if using clamp assembly option. Use Allen key (4mm) to loosen three base cover screws, then detach clamp mount and base cover.



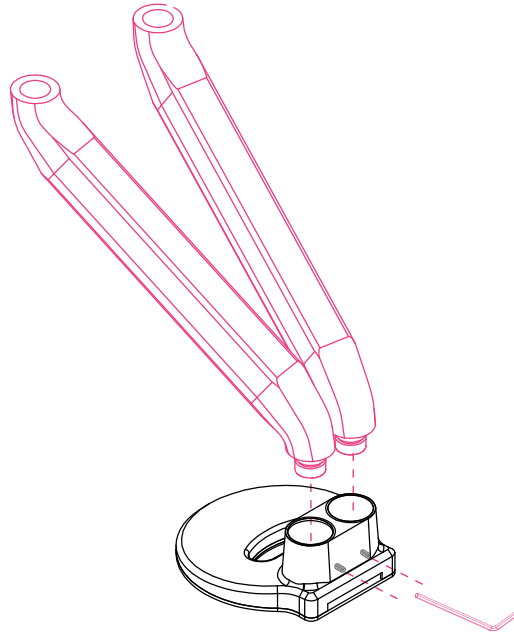
Insert carriage bolt between base covers and clamp shut. Remove backing from adhesive and adhere to bottom of base. Insert bolt from base into grommet and secure with hardware.



## 2 | Choose Lock-Out Function Option:

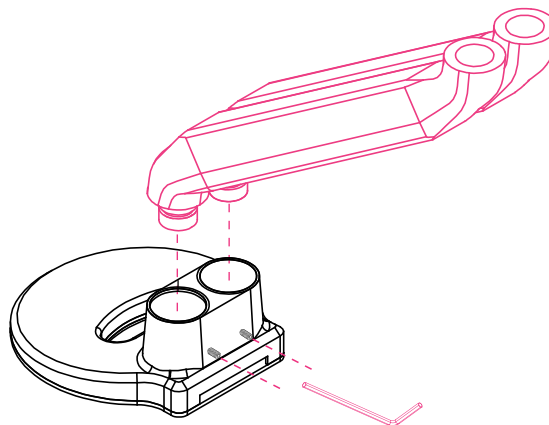
### (a) 180°—Select option if installing with dividers or against a wall

Insert both lower arms into main base. Fully tighten screws to arms with Allen key (2mm), then back out one full turn.



### (b) 360°—Select option for full rotation capability

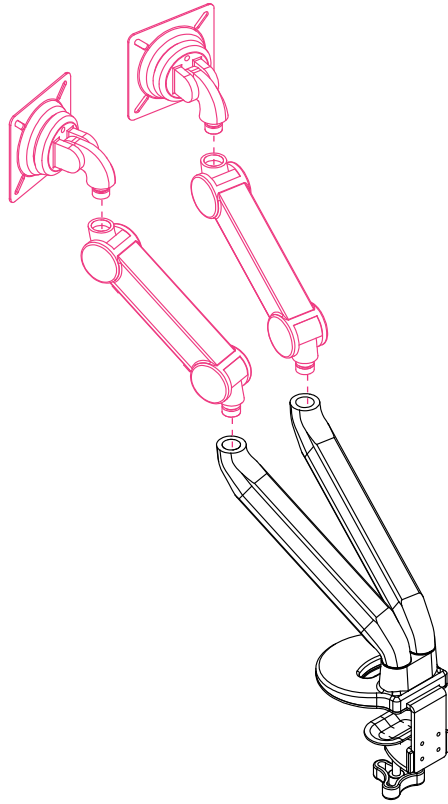
Insert both lower arms into main base. Turn arms to opposite side of base, and fully tighten the screws to base with Allen key (2mm), then back out one full turn.





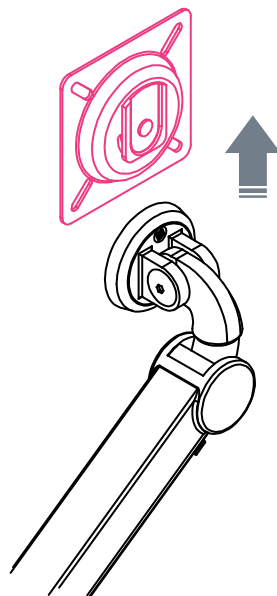
### 3 | Attach Upper Arms and Monitor Plates

Fasten screws with Allen key (2mm), then back out one full turn.



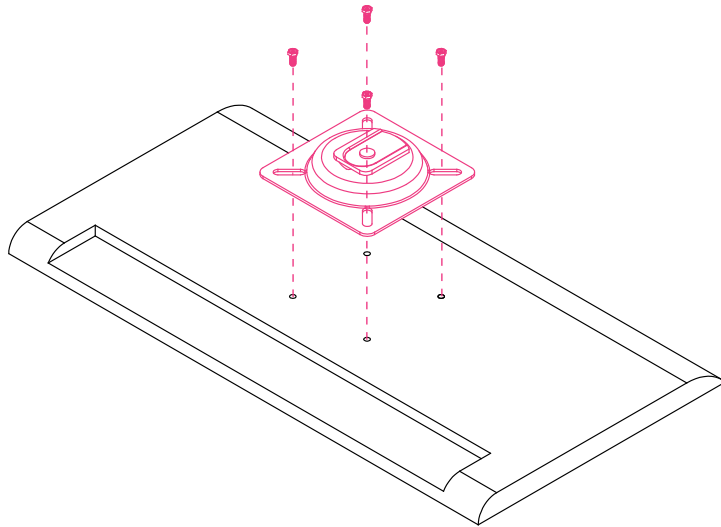
### 4 | Remove Monitor Plate From Arm

Remove monitor plate by turning plastic tab to release lock, then pull plate upward to separate from arm.



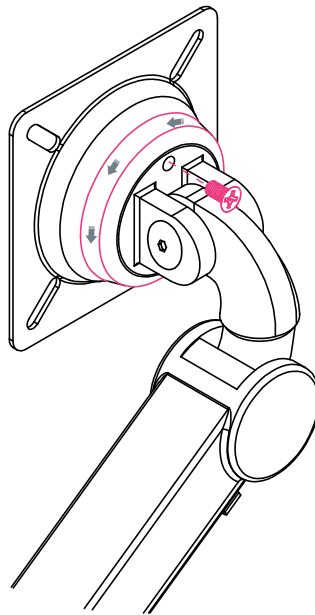
## 5 | Attach Monitor Plate to Monitor

Place monitor face down on a flat surface. Align monitor plate holes with holes on back of monitor and attach using screws provided. Then slide monitor with attached monitor plate onto arm securely.



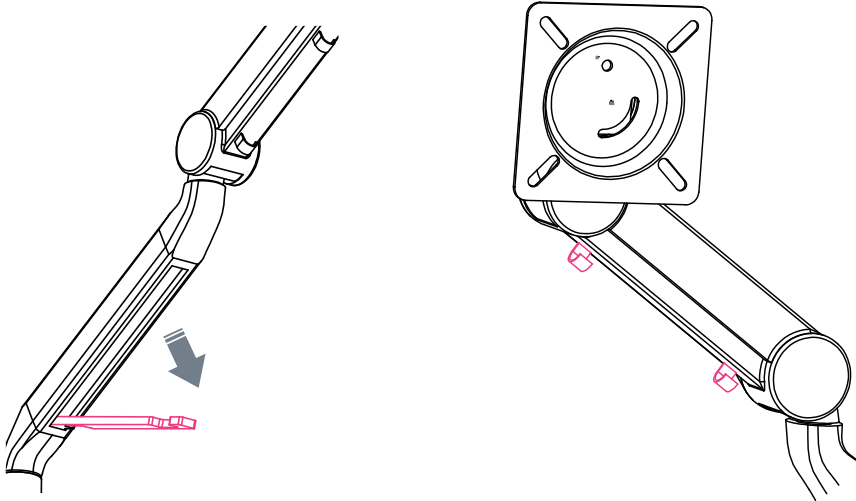
## 6 | Locking Monitor Plate for Theft Prevention

Lock monitor plate by turning plastic tab counter clockwise. Then, use a screwdriver to tighten screw in place.



## 7 | Cable Management

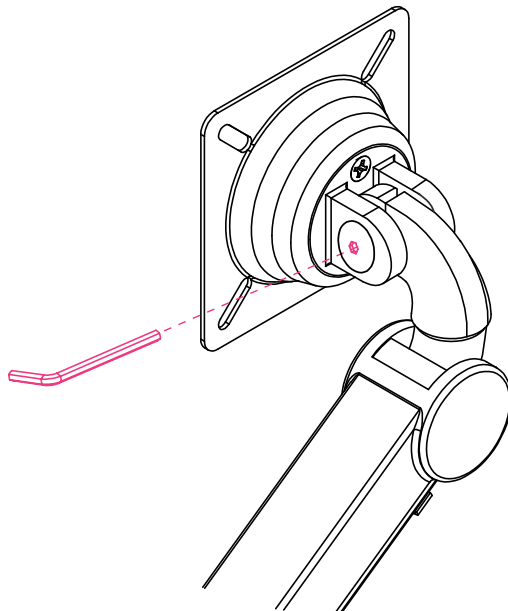
Detach arm covers from bottom of arms to feed through wires. Snap wires on arm clips and then clip back covers when wires have been fed through.



## 8 | Arm Neck Tension Adjustment

Use Allen key (5mm) provided to adjust tension to correspond with weight of monitor. Twist Allen key in a clockwise direction for heavier monitors; counterclockwise for lighter monitors.

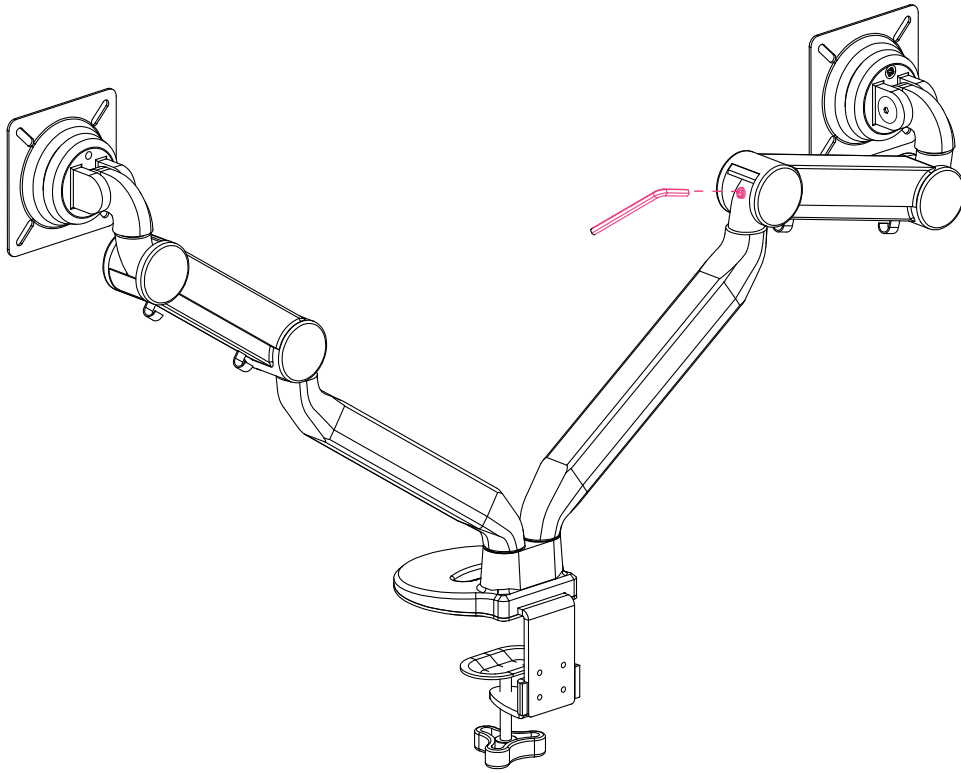
**NOTE:** Support arm while adjusting tension.



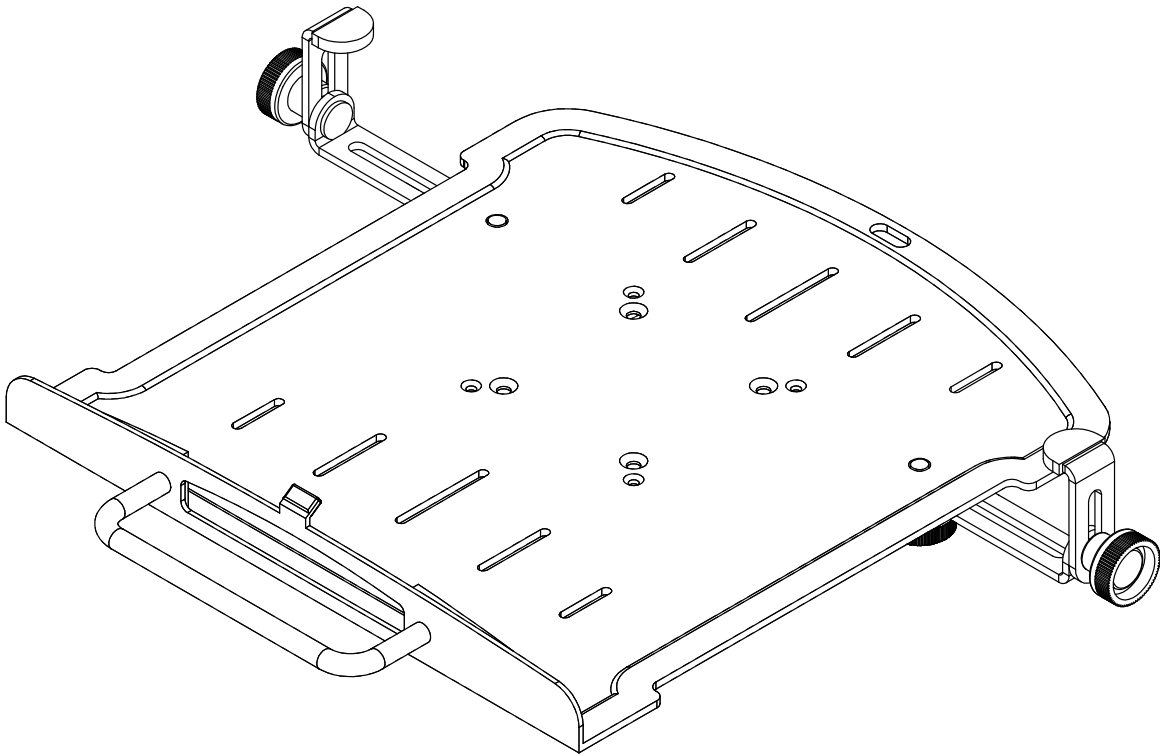
## 9 | Arm Elbow Tension Adjustment

Use Allen key (4mm) provided to adjust tension to correspond with weight of monitor. Twist Allen key in a clockwise direction for lighter monitors; counterclockwise for lighter heavier monitors.

**NOTE:** Support arm while adjusting tension.







## A1: Laptop tray

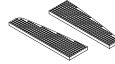
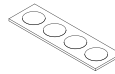



### Overview

---

Series II Monitor Arm

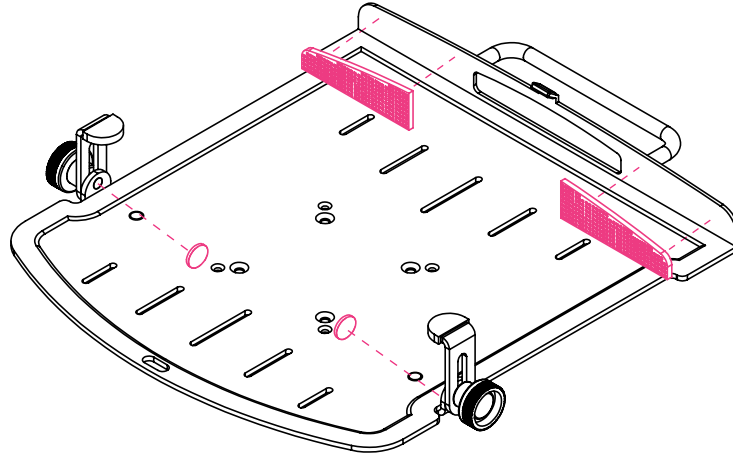
**!** All parts listed are for a single laptop tray; additional parts will be needed for additional laptop trays.

**Parts List**

Code	Qty.	Description	
NXLT	1	Laptop Tray	
	2	Swath Adhesive Pad	
	1	Round Adhesive Pad	
	4	Machine Screw	
	4	Hex Nut	
	1	Allen Key (2.5mm)	
	1	Wrench	

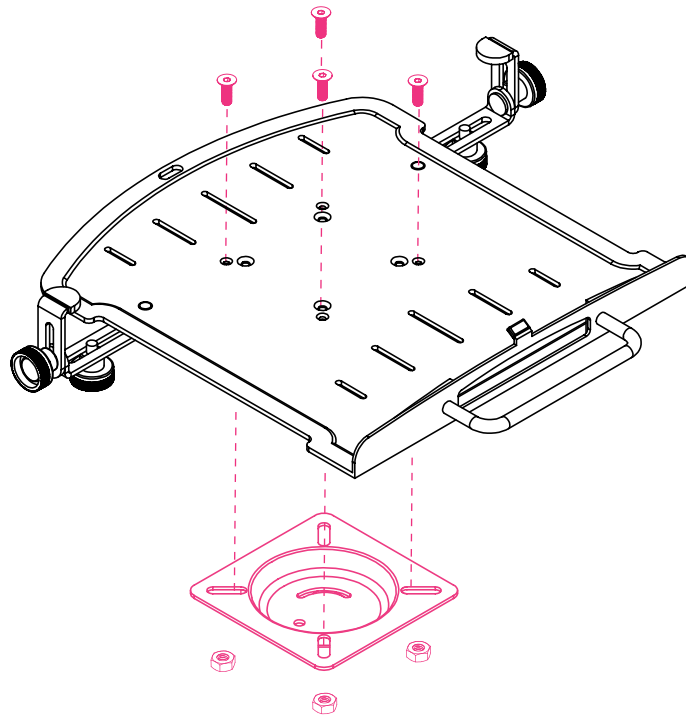
## 1 | Install Adhesive Pads

Paste round shape pads on both adjustable clamps. Then, paste swath pads on lip of laptop tray.



## 2 | Attach Laptop Tray to Monitor Arm

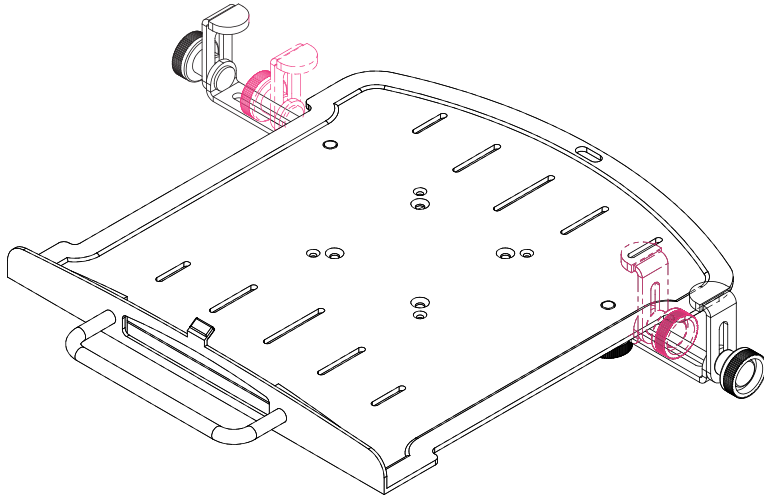
Use Allen key (2.5mm) and wrench to adjust screws and nuts on the monitor plate adapter.





### 3 | Adjust Clamps to Fit Laptop Size

Use the knobs to adjust clamps for suitable wide range laptop size.



### 4 | Optional: Use Keyhole to Include 3rd-Party Lock

NOTE: Lock not included.

