

# THINK 120-Degree

## Height-Adjustable Workstation

Includes Add-Ons: [A1](#) | [A2](#)

---

General Installation Guide



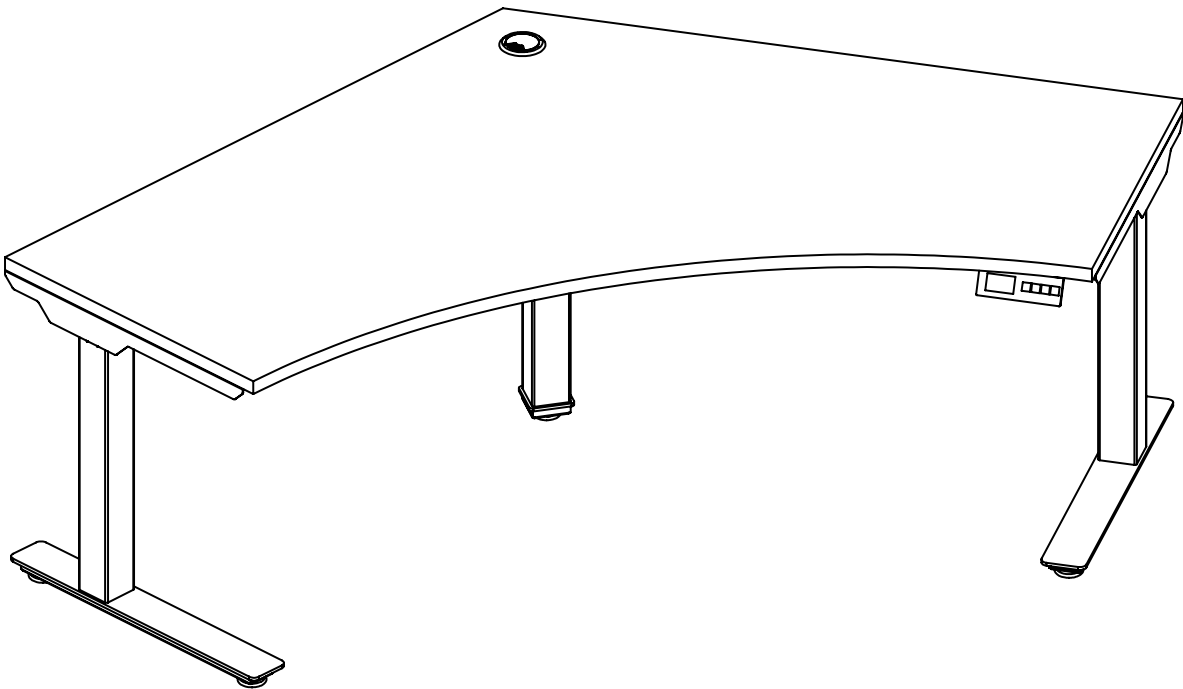
**Edition Code**

BHALGSA :: Workstation ..... 1

**Add-ons**

A1 :: Slim Pedestal.....7

A2 :: Cable Tray ..... 11



## Workstation


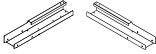
















### Overview

---

THINK 120-Degree Height-Adjustable

**!** All parts listed are for a single workstation; additional parts will be needed for additional workstations.

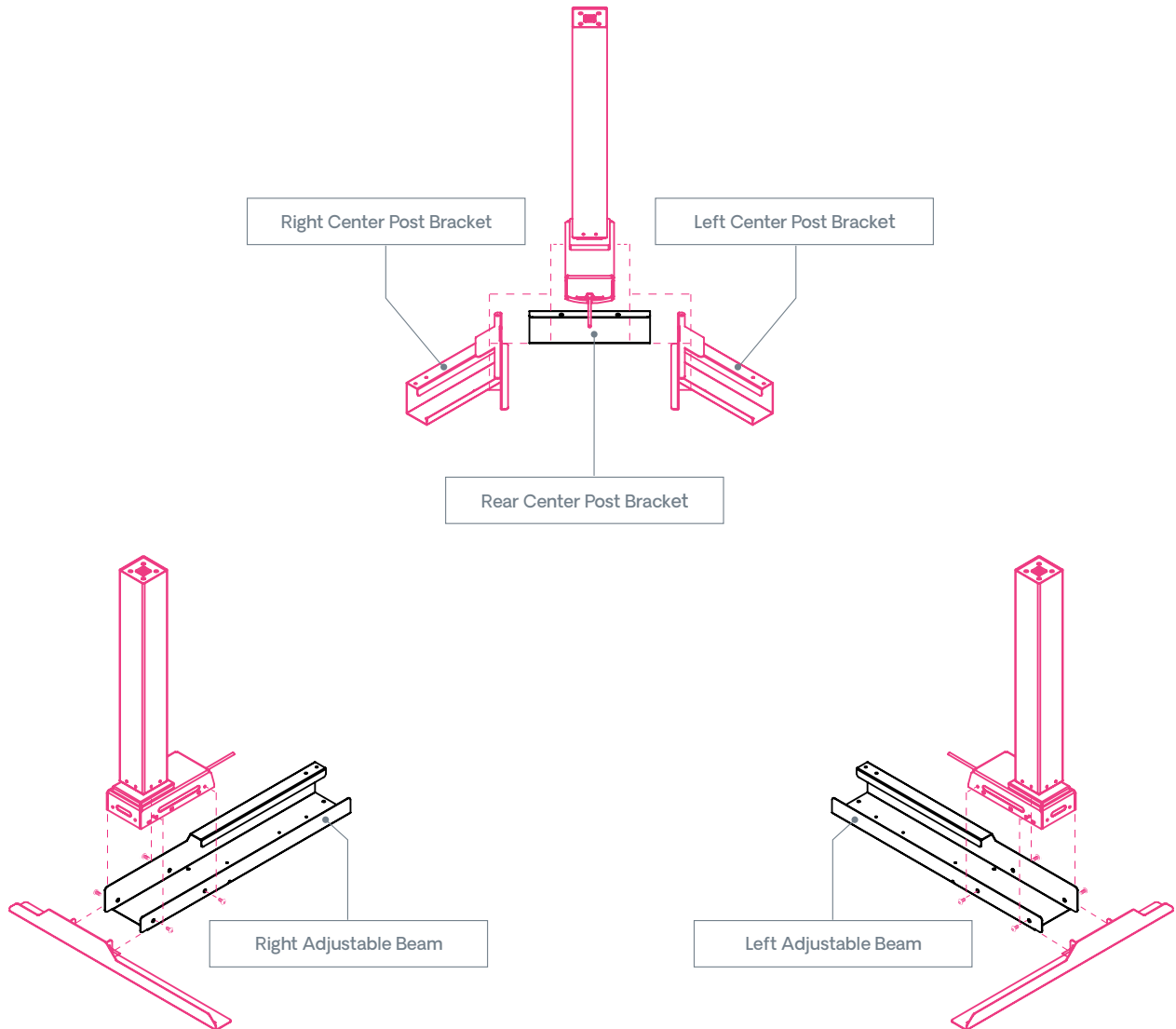
## Parts List

Code	Qty.	Description	
GB120V2	1	Surface	
BHALGSA	1	Right & Left-Adjustable Beam	
	1	Feet (Set of 2)	
	2	23" Arm Bracket	
	1	Center Post Brackets (L, REAR, & R)	
	1	Center Post Base	
	3	Leg with Motor	
	1	Handset	
	5	Glides	
	3	Extension Cords (SHRT, MED, & LG)	
	1	Power Cable	
	14	Screw (A)	
	8	Screw (B)	
	2	Screw (C)	
	8	Screw (D)	
	4	Screw (E)	
	39	Screw (F)	
2	Screw (G)		

## 1 | Assemble Leg Posts Separately

Attach center leg with motor to the center post brackets using screws (A). Then, attach side legs with motor and arm brackets to left and right adjustable beams.

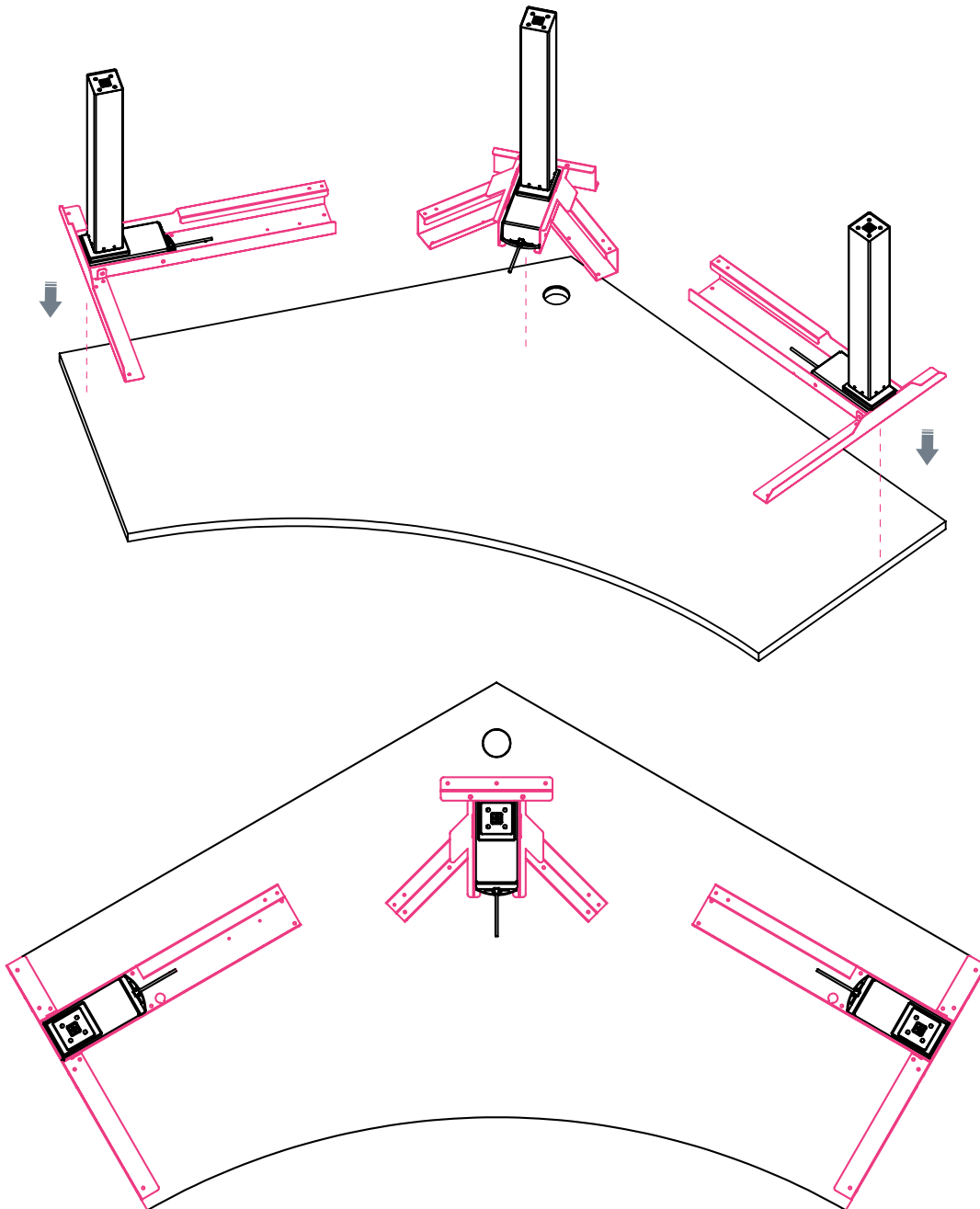
Note: Replace the default arm brackets if workstation requires BHA19 or T-brackets.



## 2 | Secure Leg Posts on Surface

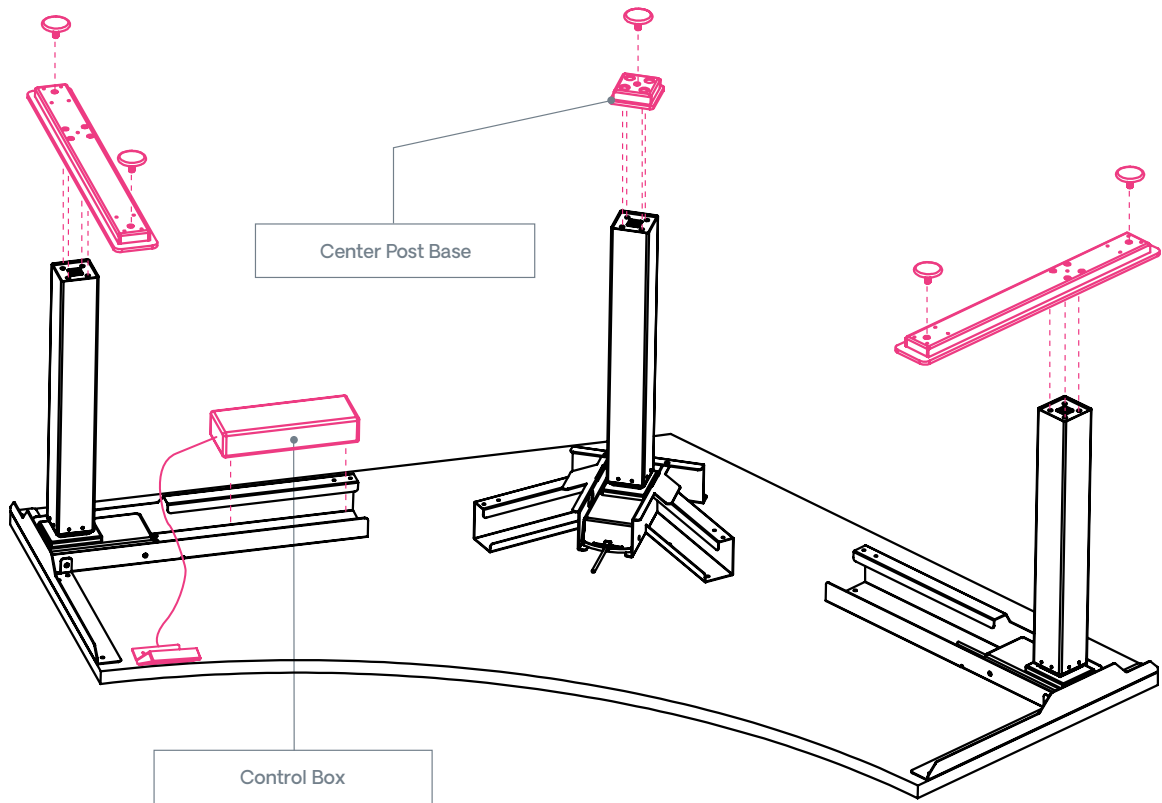
Secure leg posts to the surface using screws (F).

Note: If using surface-mounted dividers, keep the frame 1.5 inches inset from the surface edge. If not using surface-mounted dividers, bring frame flushed to edge of surface.



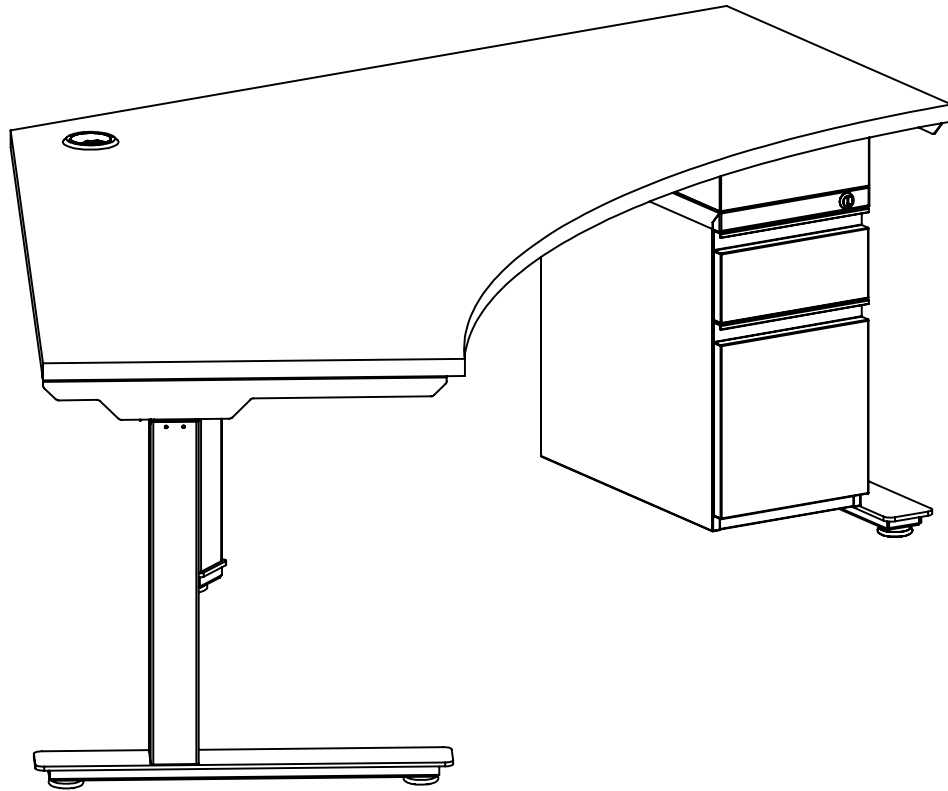
## 4 | Install Feet, Gliders, and Control Box

Install feet using screws (D) for outside legs. Install center post base to center leg using screws (E). Mount control box to the post beam using screw (G). Then, secure power cord to the control box. Mount handset using wood screws (C) and attach to control box. If workstation is complete, flip over. Reference handset guide for initialization and operation functions.









## A1: Slim Pedestal

### Overview

---

THINK 120-Degree Height-Adjustable

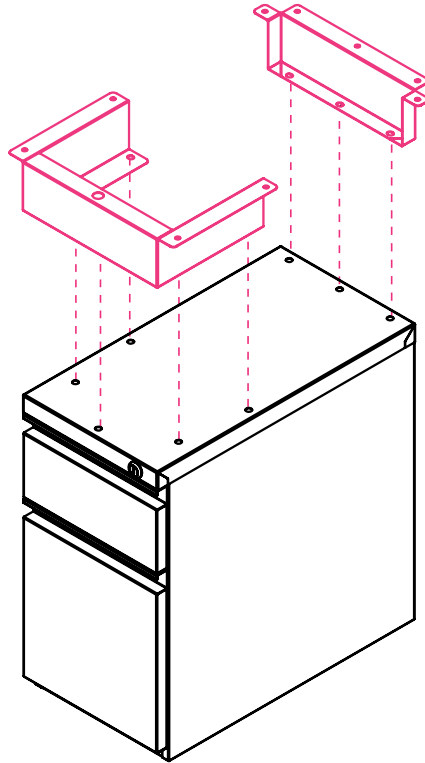
**!** All parts listed are for a single slim pedestal; additional parts will be needed for additional slim pedestals.

**Parts List**

Code	Qty.	Description	
BFSLM.SM	1	Large Mounting Bracket	
	1	Small Mounting Bracket	
BFSLM	1	Slim Pedestal	
BFSLM.HW	8	Machine Screw	
	10	Wood Screw	

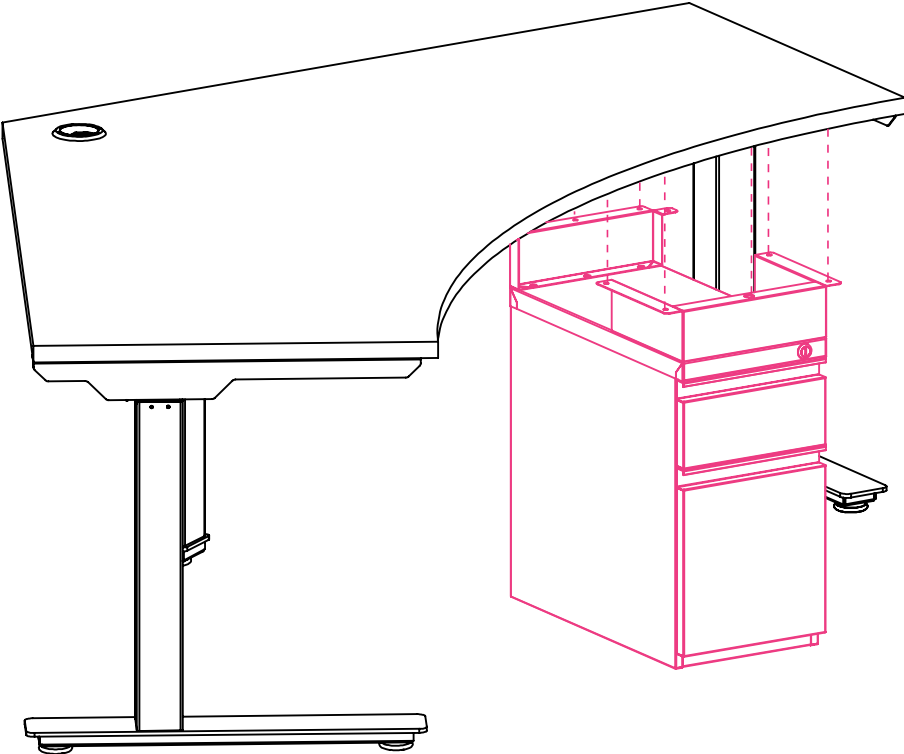
## 1 | Secure Brackets to Slim Pedestal

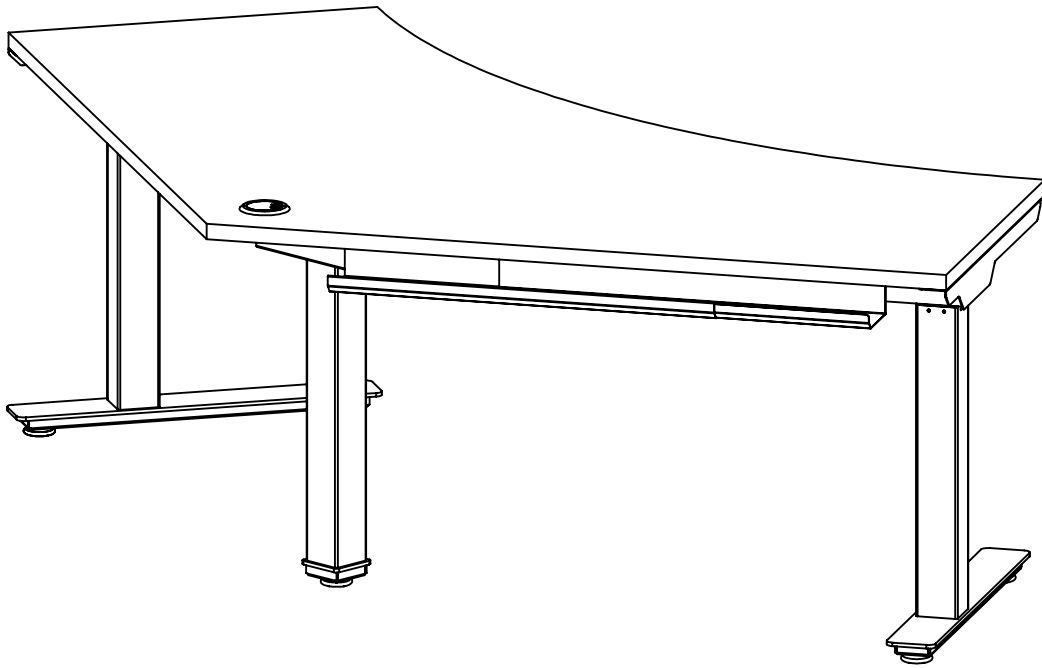
Align large mounting bracket to front of pedestal and align small mounting bracket to back. Secure both brackets using provided screws.



## 2 | Attach Slim Pedestal to Surface

Secure pedestal to surface using wood screws. The pedestal brackets will connect on either side of the center beam.





## A2: Cable Tray

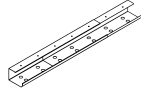

### Overview

---

THINK 120-Degree Height-Adjustable

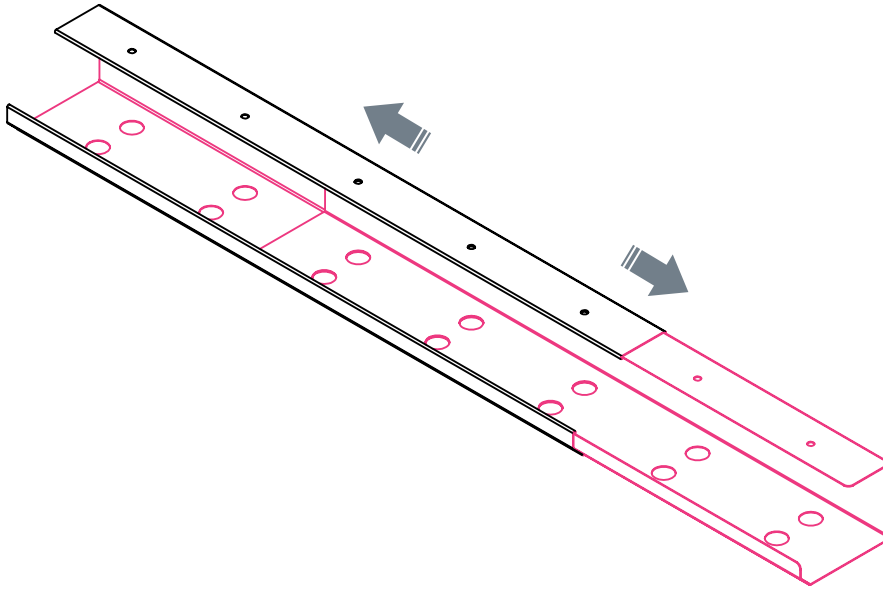
**!** All parts listed are for a single cable tray; additional parts will be needed for additional cable trays.

**Parts List**

Code	Qty.	Description	
BHCT	1	Surface-Mount Cable Management Tray	
	10	Wood Screws	

## 1 | Extend Cable Tray to Desired Length

Extension range: 25"–45".





## 2 | Attach Cable Tray to Surface

Attach cable tray using wood screws.

