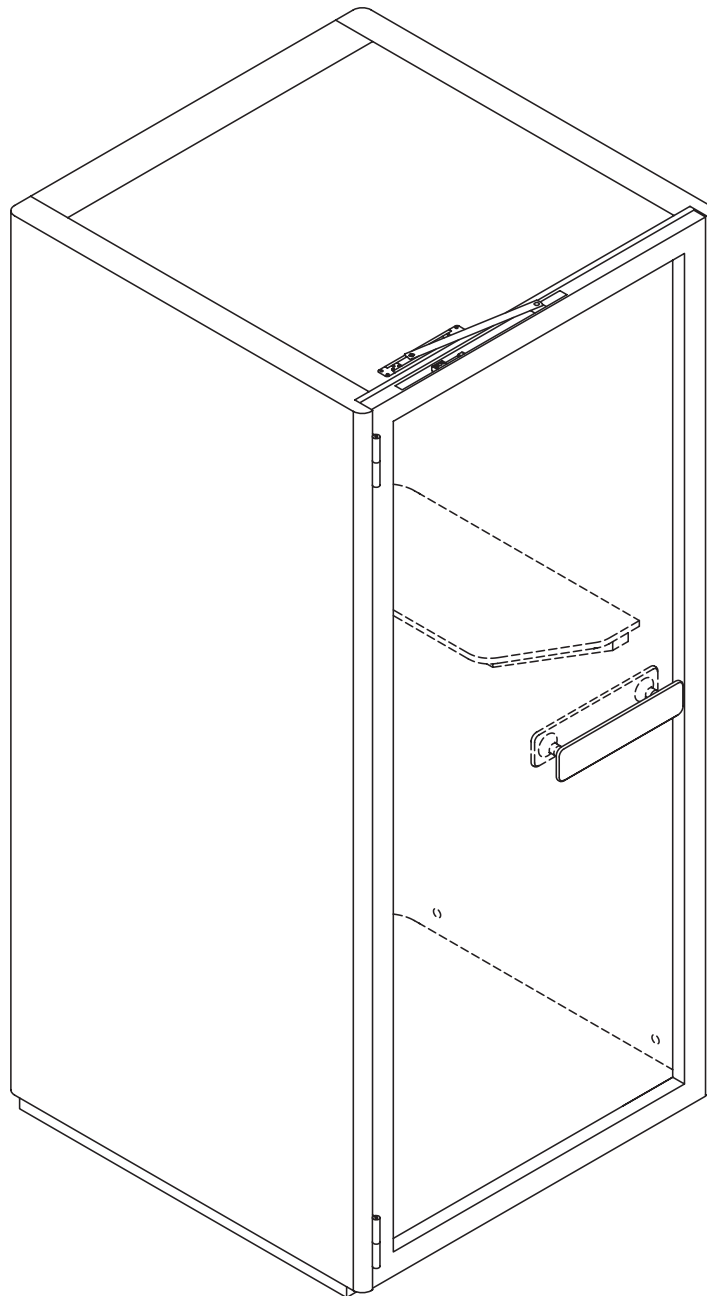


CLEAR
DESIGN

CPOP



COVE

FOCUS POD

General Installation Guide



Watch Entire
Install Video

PARTS LIST

CODE	QTY	DESCRIPTION	
CPOP	1	Right Panels (External & Internal)	
	1	Left Panels (External & Internal)	
	1	Top Panels (External & Internal)	
	1	Back Panels (External & Internal)	
	1	Glass Swing Door	
	1	Base Frame w/ Side Step	
	1	Door Handle	
	1	Concealed Door Closer	
	1	Table Set (Top with Bracket)	
	2	Reinforce "L" Bracket	

Recommended Tool: Right-Angle Drill Attachment

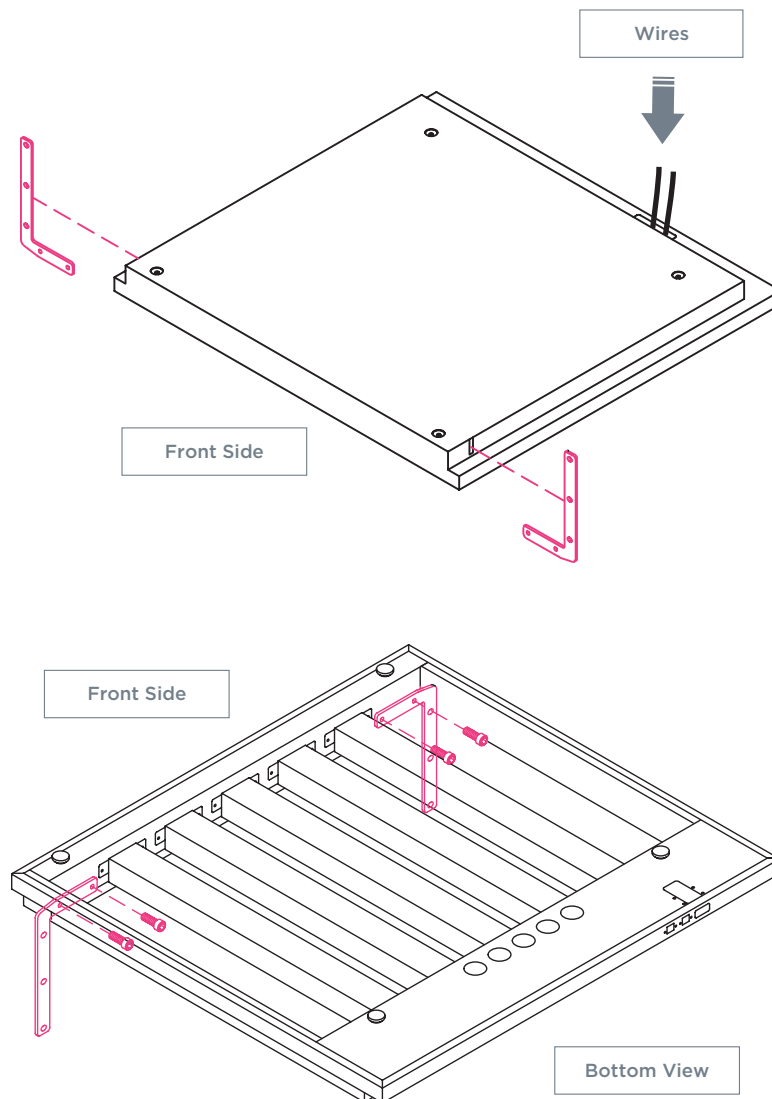
1 | ATTACH REINFORCE L-BRACKETS TO BASE FRAME

Remove front casters and insert L-brackets into small openings on both left and right side of base. Secure L-brackets from underneath base using cap screws.

Note: Bring data and power cables out from bottom of base through backside cutout. Reattach casters to base if no leveling is needed.



Scan to
Watch Step



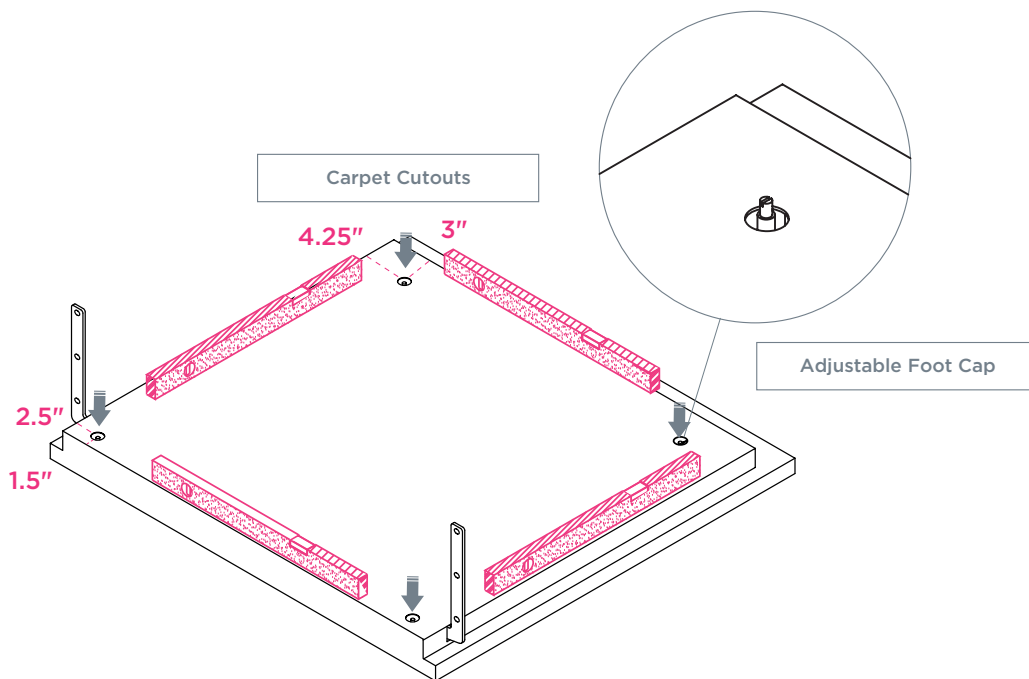


Scan to
Watch Step

2 | SET BASE FRAME TO FINAL POSITION

Set base frame to final position before setting up the pod. If positioning pod next to a wall, base needs to sit 6 inches from the wall. **If needing to level pod, casters will need to be removed permanently. Remove casters and discard.** Adjust all four foot caps for leveling and level the base before moving forward with installation. Disregard casters.

Note: Find cutouts in the carpet to adjust levels. Remove side step to access front levels. Reinstall side step when leveling is complete.

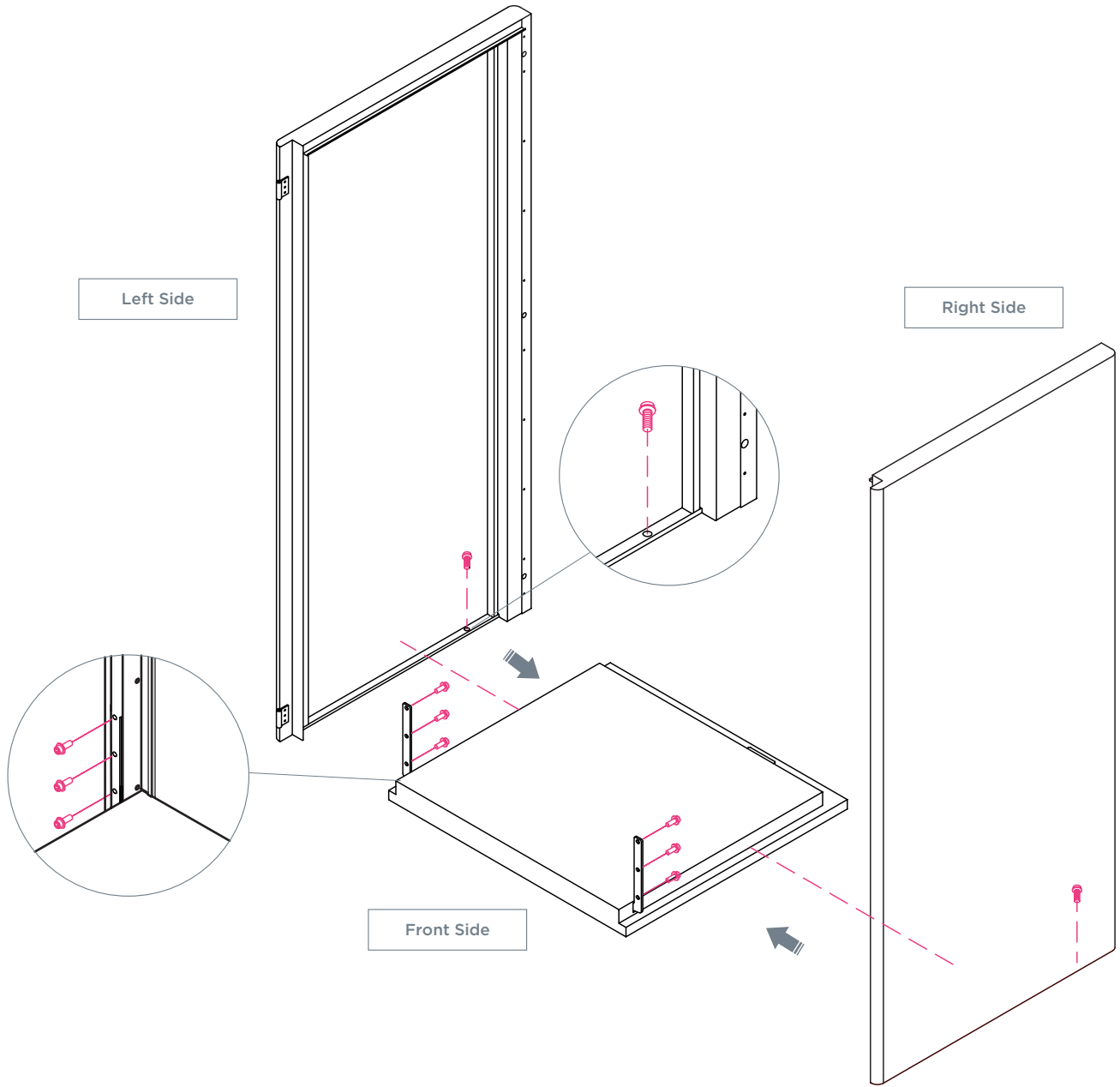


3 | SECURE EXTERNAL SIDE PANELS

Remove plastic wrap from panels. Set external panels on first tier of base frame and secure using cap screws.



Scan to Watch Step



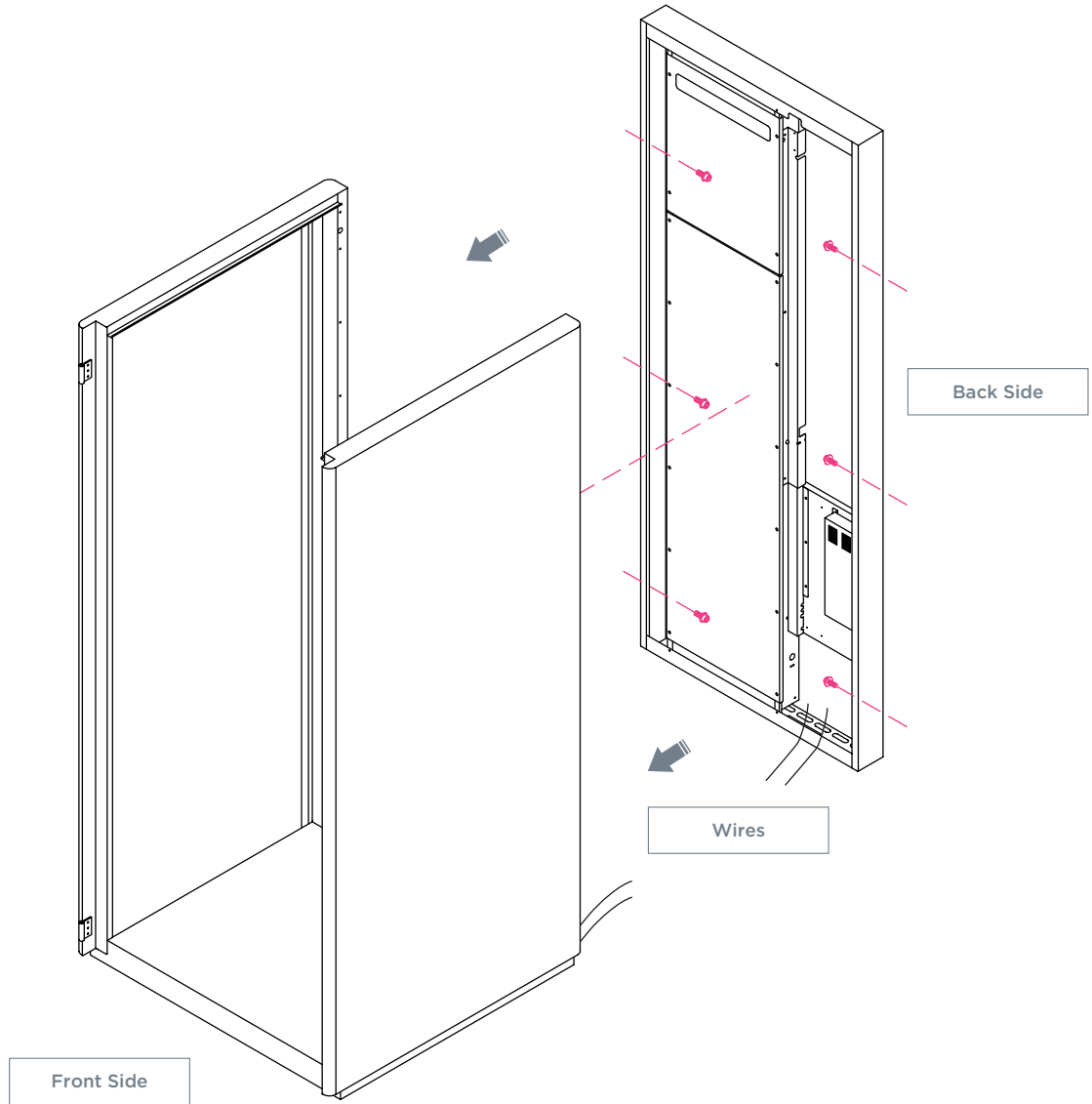


Scan to Watch Step

4 | SECURE EXTERNAL BACK PANEL

Remove plastic wrap from back panel. Set external back panel on first tier of base frame. Feed base wires through bottom of back panel and secure to both side panels using cap screws.

Note: Use a right-angle drill attachment to secure back panel to left side panel.



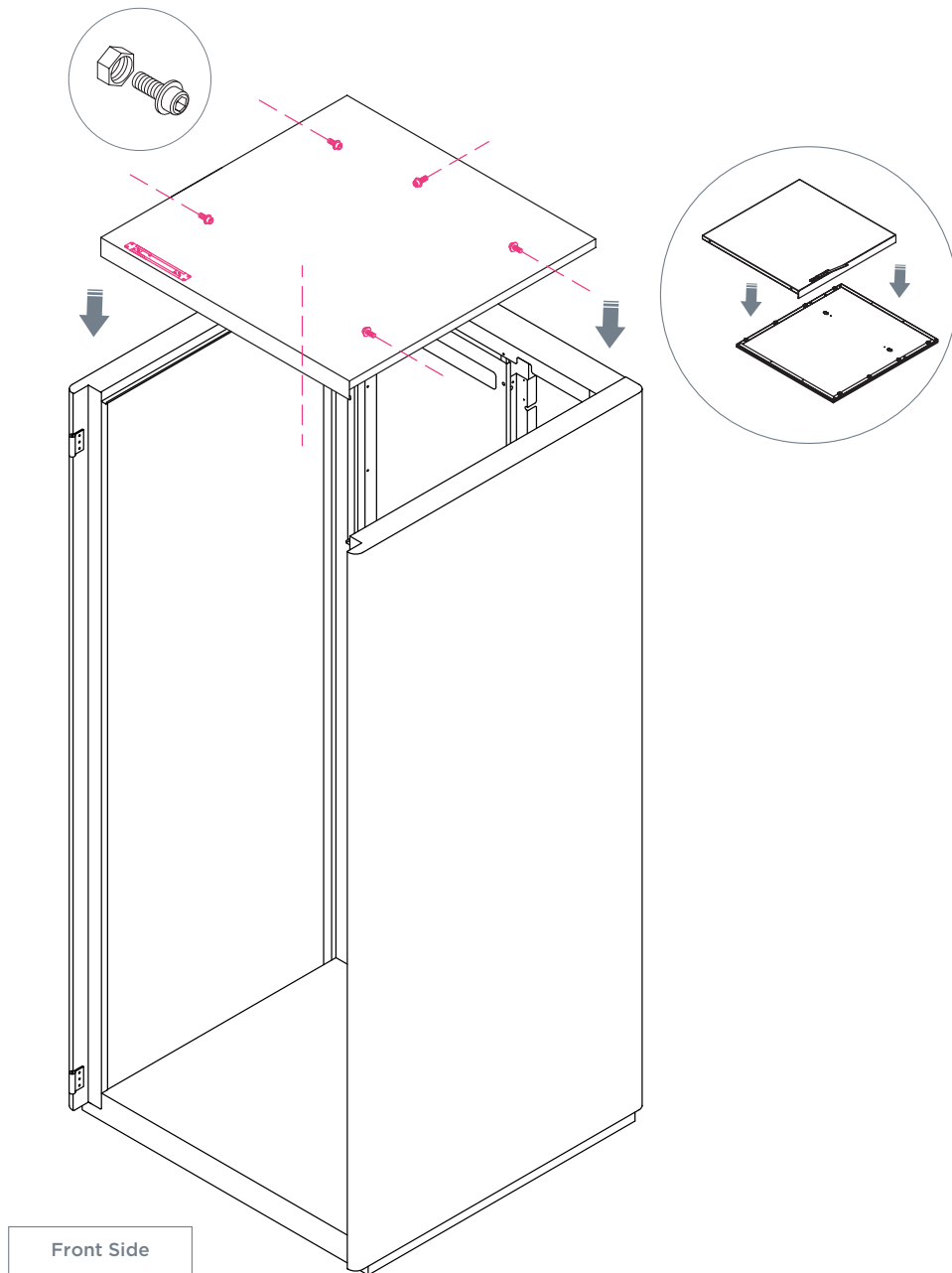
5 | SECURE EXTERNAL TOP PANEL

Separate external and internal panels. Remove plastic wrap from external top panel and set on top of all side panels and secure.



Scan to
Watch Step

Note: Pull back insulation from inside of external panel and secure to back panel using cap screw. Then, secure side panels to top panel using cap screws with hex nuts.

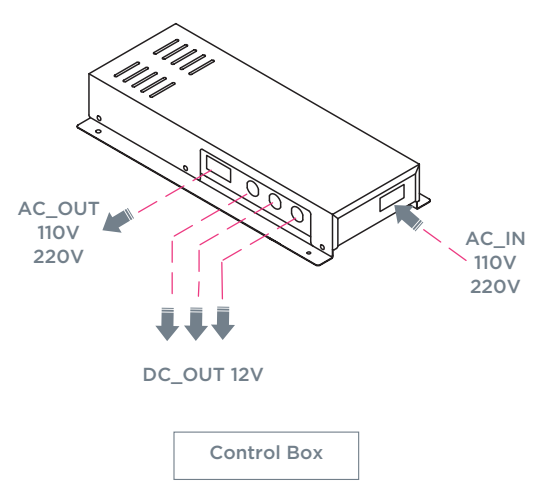
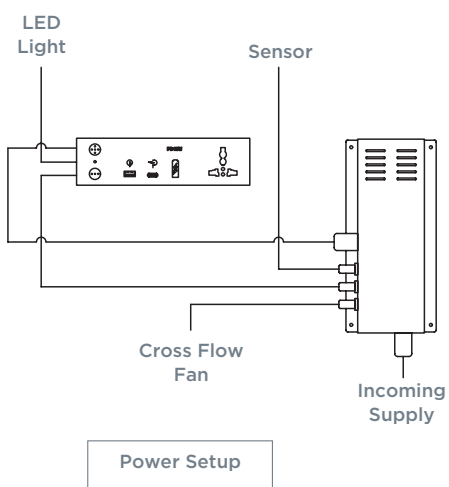
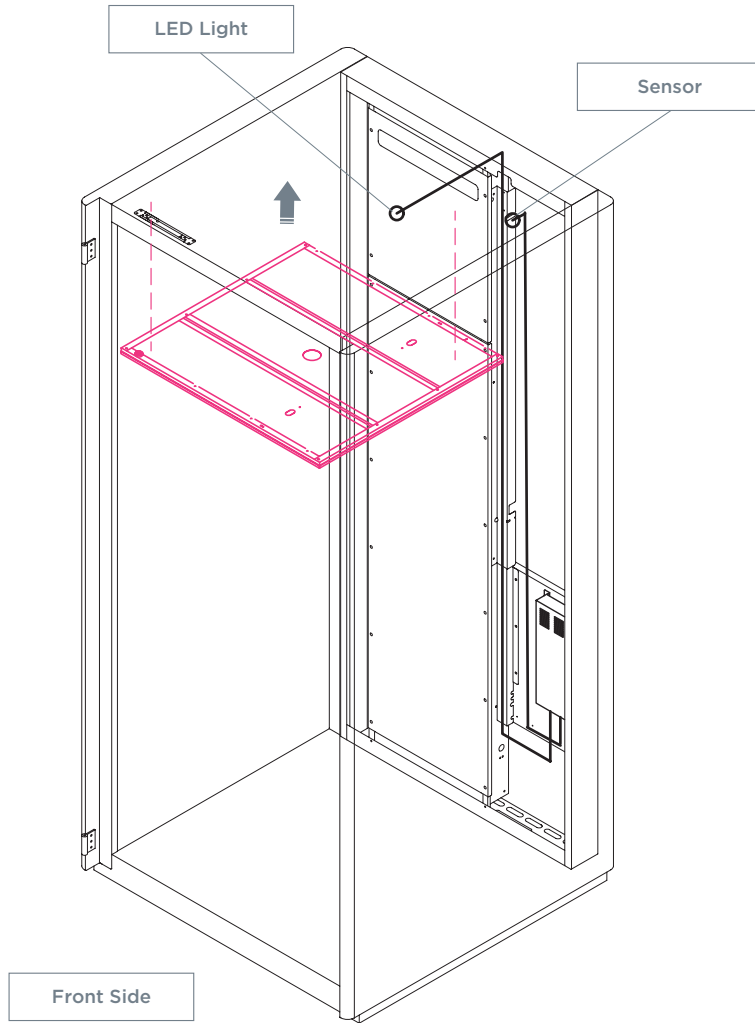


6 | CONNECT TOP INTERNAL PANEL CABLES AND SECURE



Scan to Watch Step

Run LED light wires through top panel and connect to internal panel. Press back panel into place and make sure magnets snap into place on all sides.

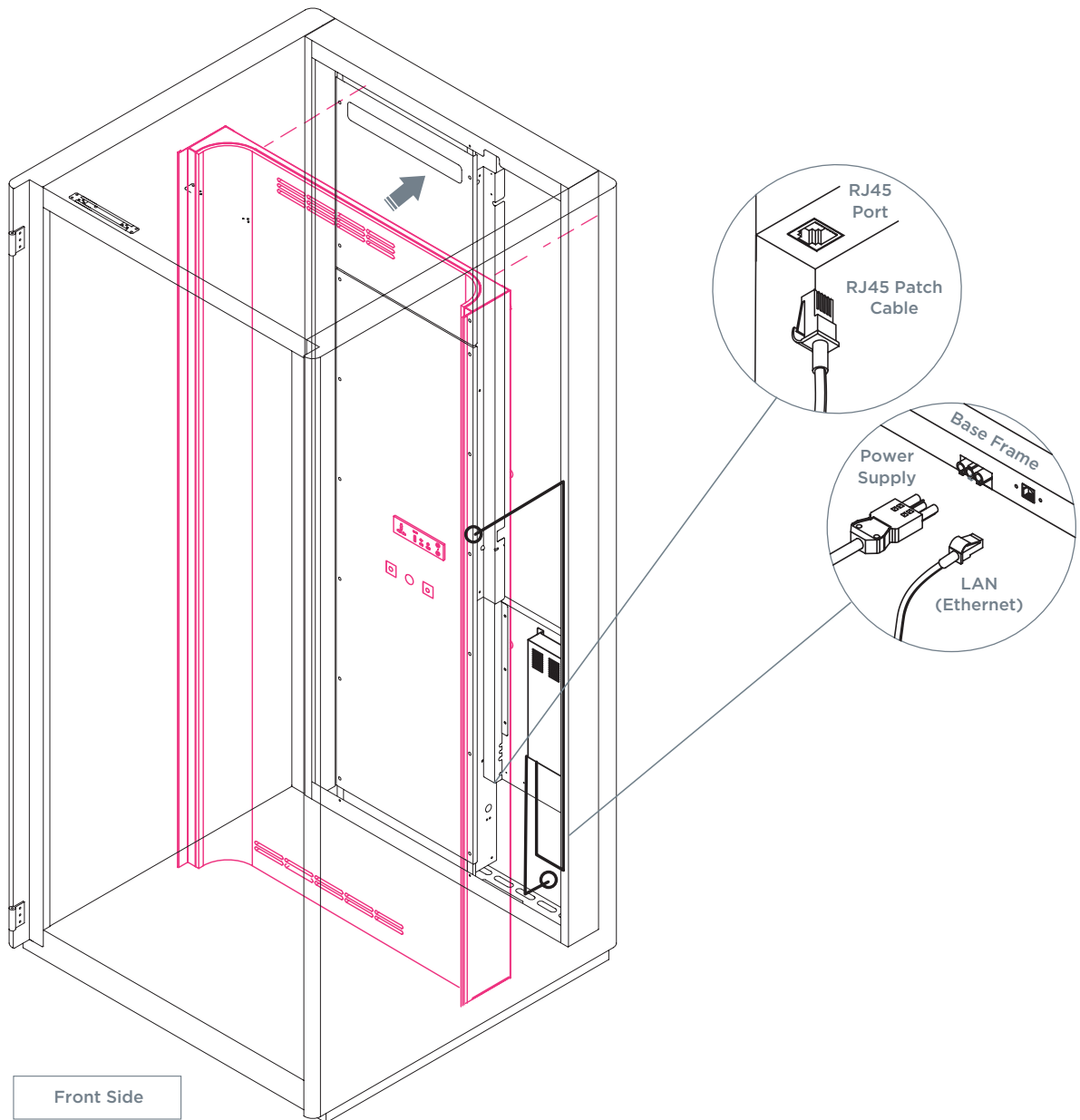


7 | CONNECT INTERNAL BACK PANEL CABLES AND SECURE



Scan to
Watch Step

Bring internal back panel into pod at an angle. Connect pod cables to internal back panel, run data cable through back panel, and press back panel into place. Make sure magnets snap into place on all sides.

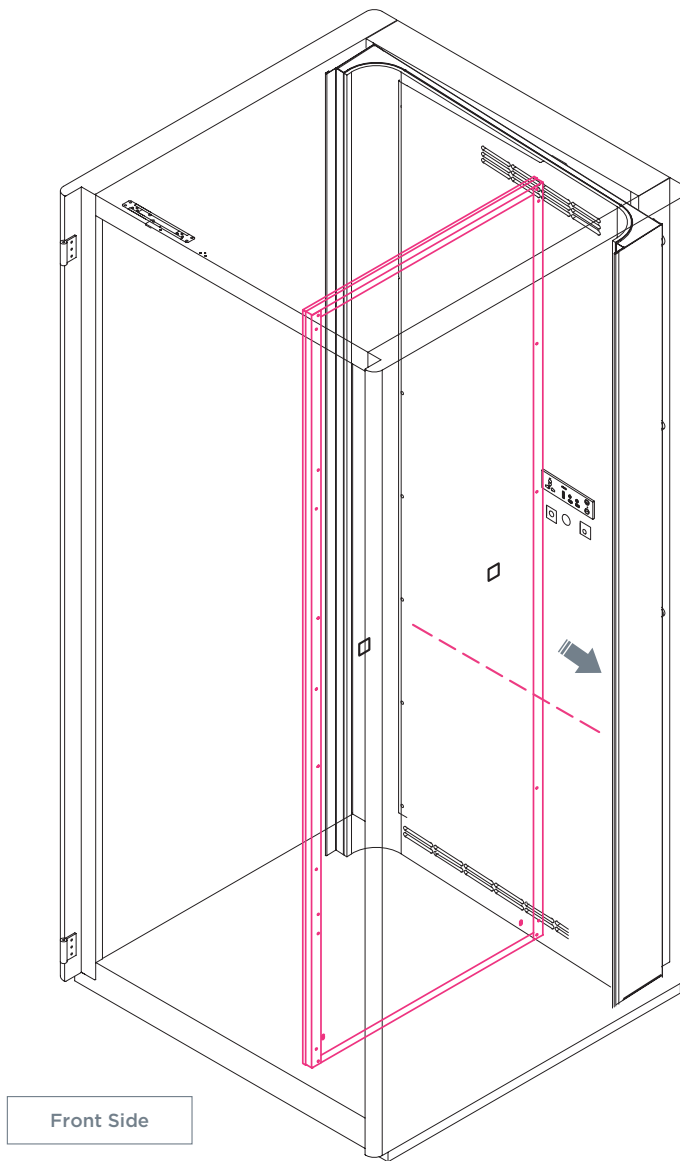


8 | CONNECT INTERNAL RIGHT SIDE PANEL

Bring internal right panel into pod. Press right side panel against wall and make sure magnets snap into place on all sides.



Scan to Watch Step

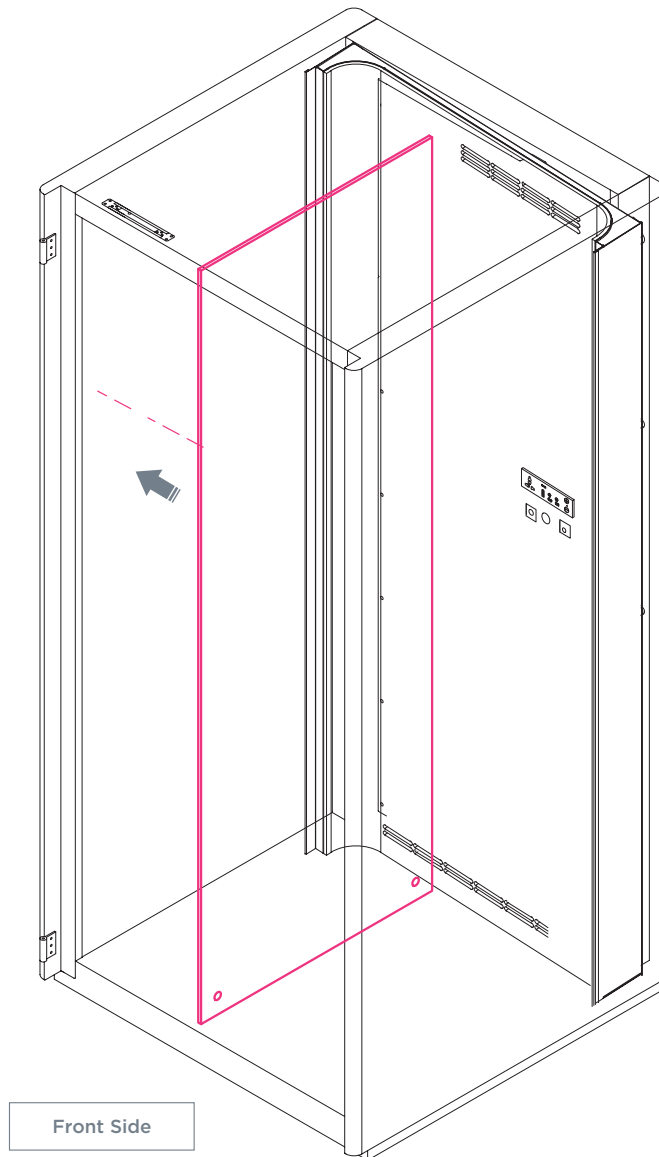


9 | CONNECT INTERNAL LEFT SIDE PANEL

Bring internal left panel into pod. Press left side panel against wall and make sure magnets snap into place on all sides.



Scan to
Watch Step



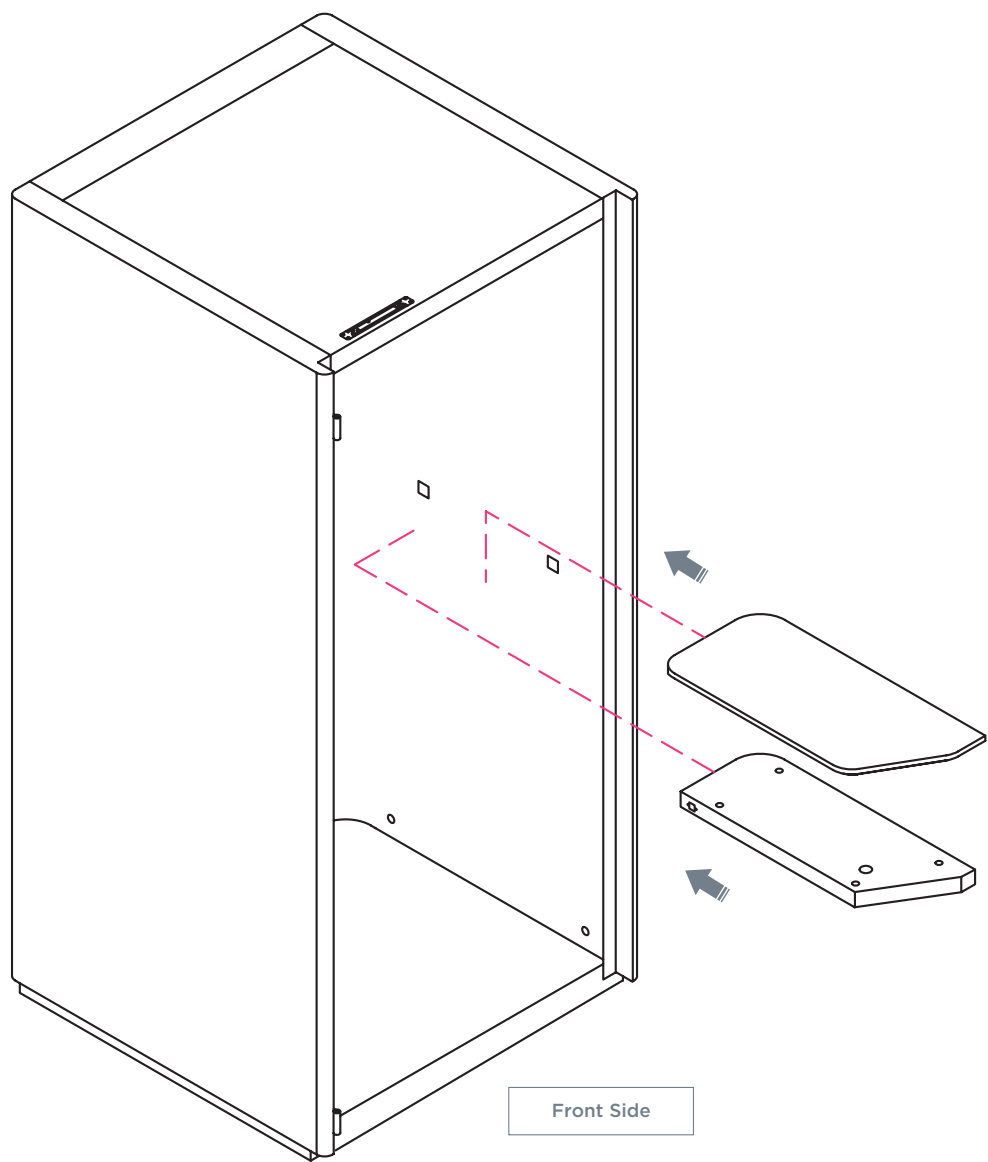


Scan to Watch Step

10 | SECURE TABLE BRACKET AND TABLE TOP

Run data cable through table bracket and connect. Align table bracket to pre-drilled holes on right and back panels. Secure using screws. Once bracket is secured, set table top on bracket and align with pre-drilled holes. Secure using screws.

NOTE: Use a right-angle drill attachment to help secure table bracket.

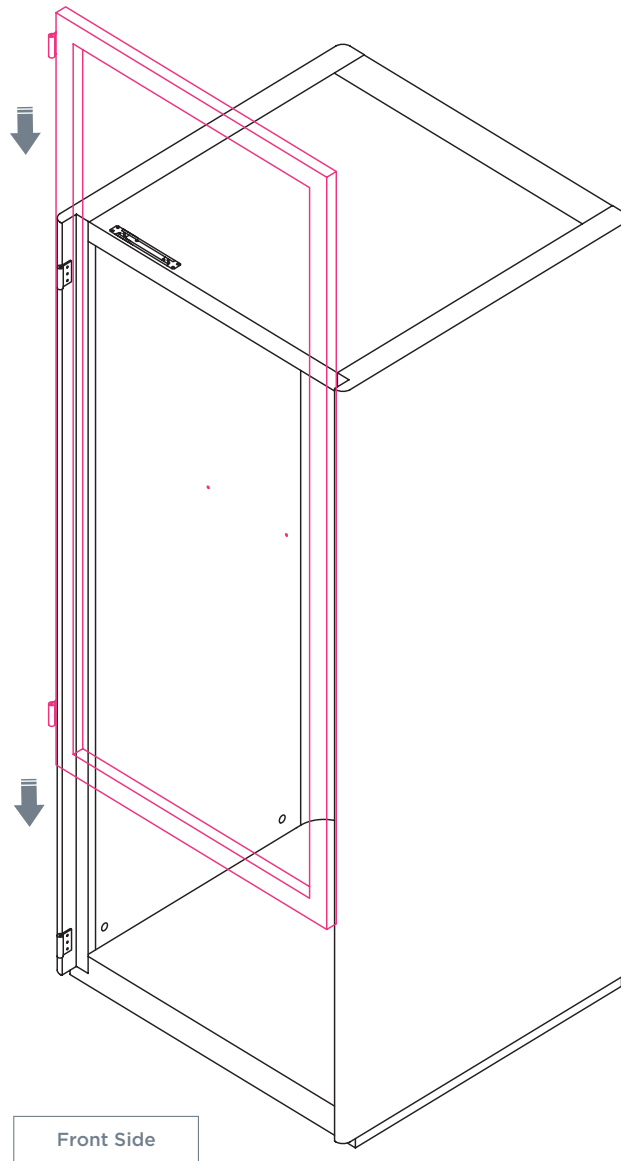


11 | SECURE GLASS SWING DOOR

Remove plastic wrap from door. Slide door hinge barrels through top and bottom hinge pins located on pod frame. Glass door hinge barrels will sit flush with frame hinge barrels.



[Scan to Watch Step](#)

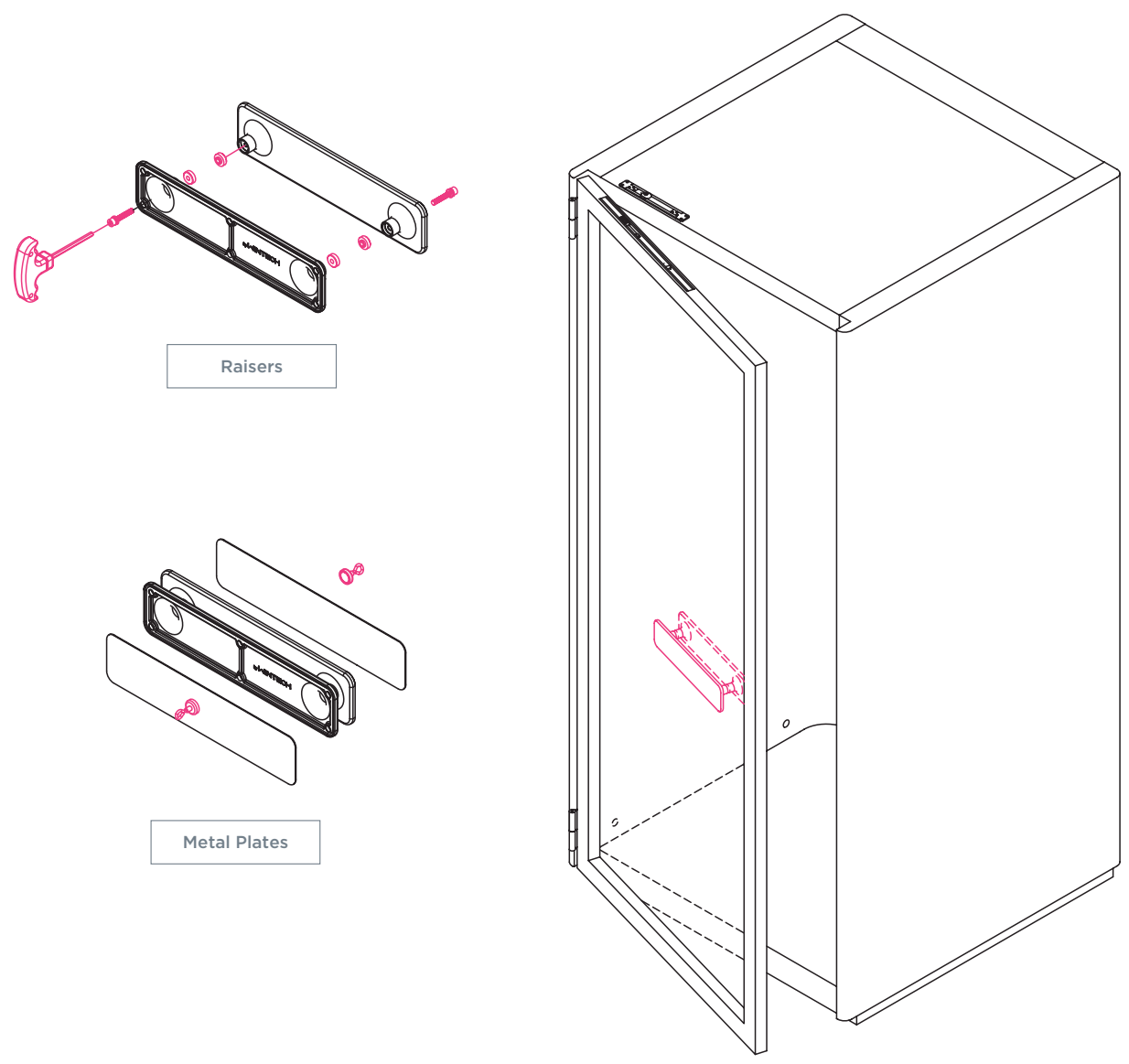




Scan to Watch Step

12 | INSTALL DOOR HANDLE

Insert plastic caps inside each handle raiser. Align interior and exterior handle raisers to pre-drilled holes in glass door and secure using screws on opposite corners. Using the magnet provided, place metal plates onto handles.

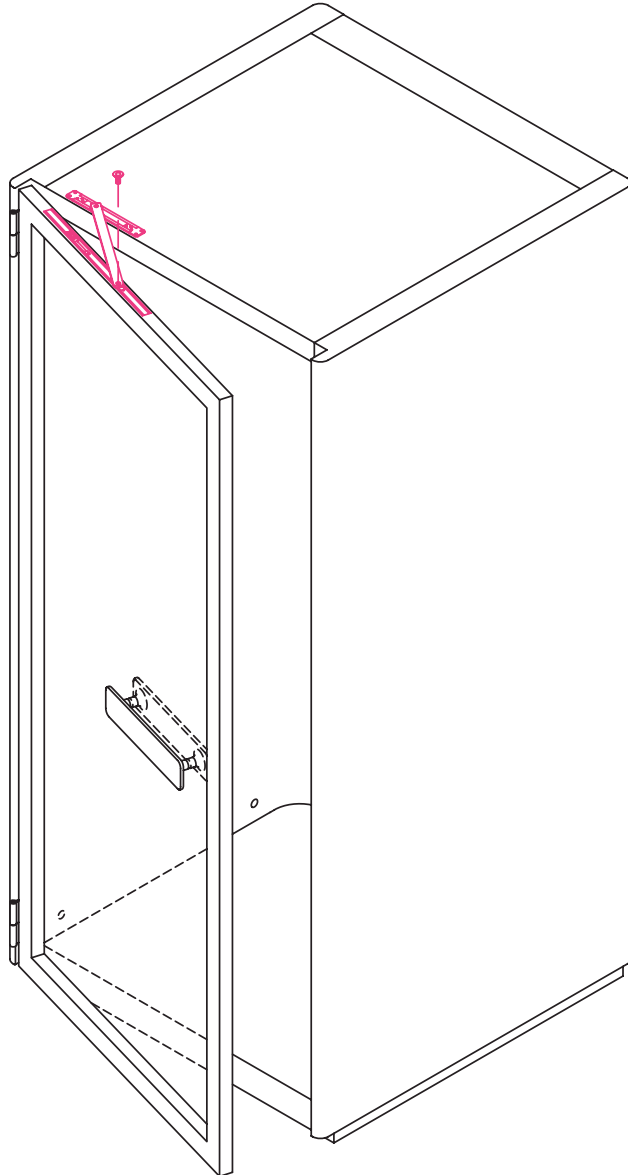
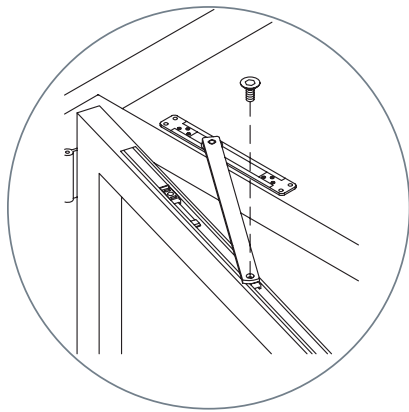


13 | SECURE CONCEALED DOOR CLOSER

Slide concealed door closer from top panel over to door.
Secure using screw.



Scan to
Watch Step



OPTIONAL | ADJUST THE CLOSING AND LATCHING SPEED

Door closer speeds have been adjusted when leaving the factory. In case of interference from external factors such as door and environment, speed of door closing device needs to be adjusted appropriately. The closing speed valve (valve 1) should be adjusted first and then the latching speed valve (valve 2).

