

## **FLEX** Room Pod

---

General Installation Guide



Watch Entire  
Install Video



Parts List

Code	Qty.	Description	
CPRM	1	Right Panels (External & Internal)	
	1	Left Panels (External & Internal)	
	1	Top Panels (External & Internal)	
	1	Back Panels (External & Internal)	
	1	Fixed Glass (Left and Right)	
	1	Glass Swing Door	
	1	Base Frame	
	1	Door Handle	
	1	Concealed Door Closer	
	1	Side Step	
	2	Reinforce "L" Bracket	
CPSS-GRC	1	Sofa Set	

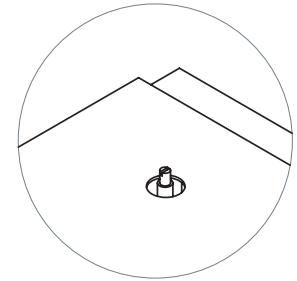
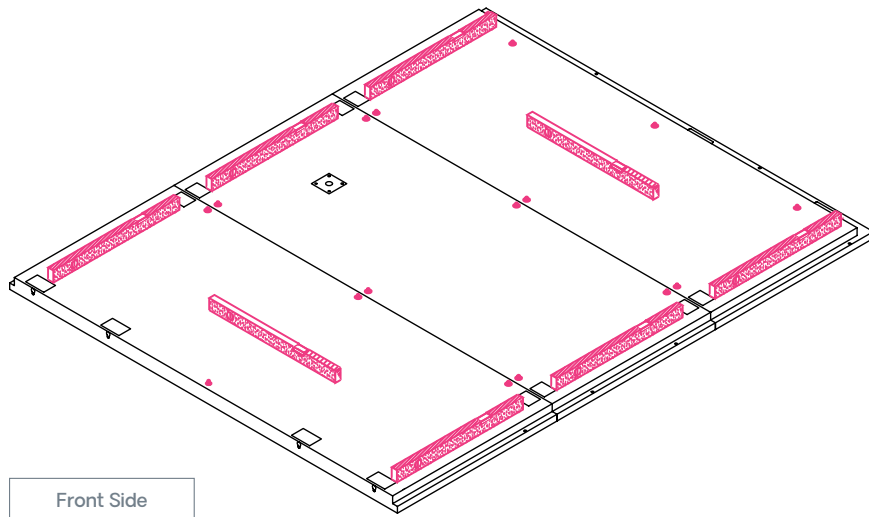
## 1 | Set Base Frame to Final Position and Level

Set base frame to final position before setting up pod. If positioning pod next to a wall, base needs to sit 6 inches from wall. If needing to level pod, adjust all foot caps for leveling and level base before moving forward with installation.

**Note:** Base frame with sidestep will be positioned in front.



Scan to Watch Step



Adjustable Foot Cap

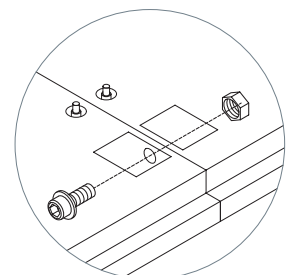
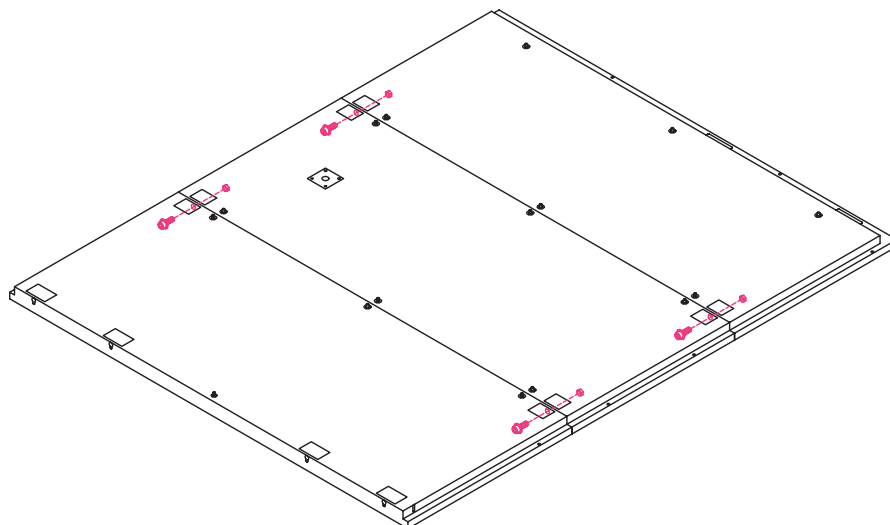
## 2 | Attach All Base Frames

Locate small openings in base frames on both left and right side of bases. Attach all three base frames by using caps screws to lock frame in place.

**Note:** Use a right-angle attachment to lock in screws.



Scan to Watch Step



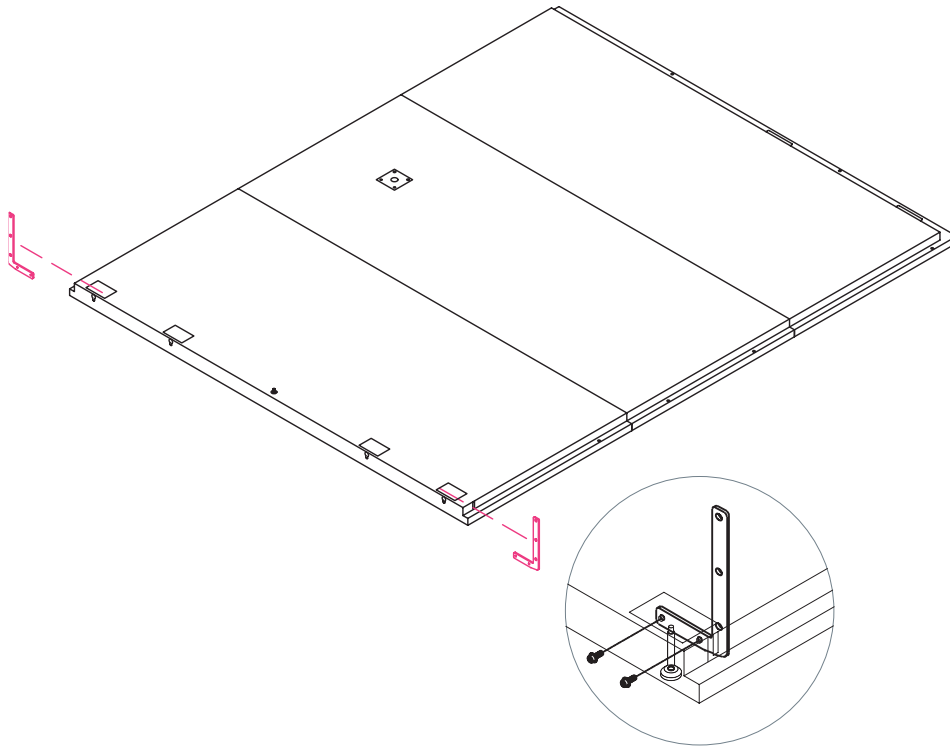
### 3 | Attach Reinforce L-Brackets to Base Frame

Pull back carpet flap in front of base and remove metal plate with Phillips-Head. Insert L-bracket into small opening located on side of base frame. Secure L-brackets with cap screws. Repeat on other side.

Note: DO NOT reattach metal plates in this step. Plates will be reattached after step 7.



Scan to Watch Step

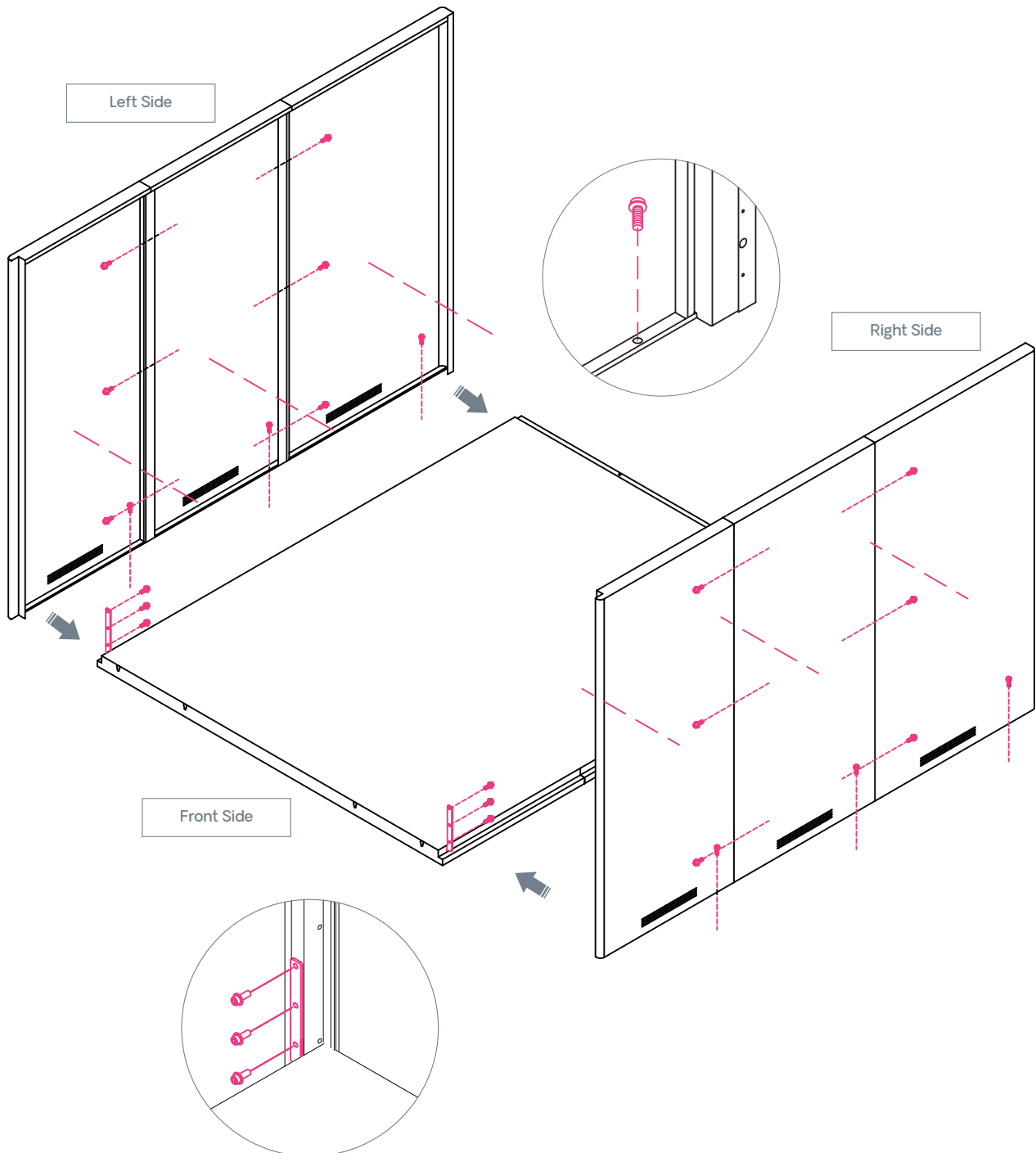


## 4 | Secure External Side Panels

Remove plastic wrap from panels. Place first external panel on first tier of base frame and secure to L-bracket and base using cap screws. Then, place middle external panel against first external panel and secure both panels together using cap screws. Secure middle external panel to base as well. Last, place third external panel in place and secure to middle panel. Secure to base as well. Repeat for other side.



Scan to  
Watch Step



## 5 | Secure External Back Panels

Remove plastic wrap from all back panels.

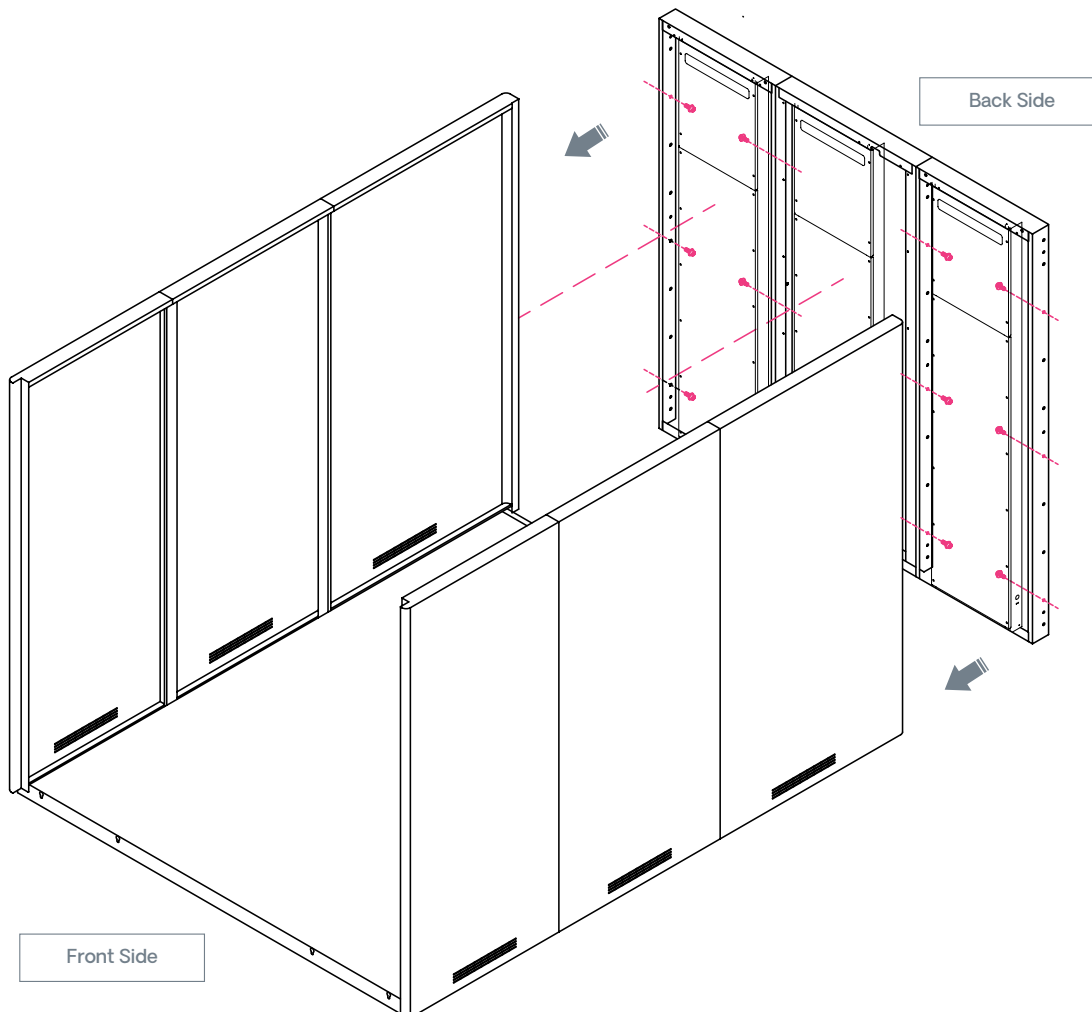
**External, Left Back Panel:** Place external, left back panel on first tier of base frame. Feed base wires through bottom of back panel and secure to side panel and base using cap screws.

**External, Middle Back Panel:** Feed panel wires through bottom of panel. Route middle back panel cables through left back panel and connect to left panel cable. Secure middle back panel to left back panel and base using cap screws. Connect power supply cable and run jumper cable through left, side panels.

**External, Right Back Panel:** Run middle back panel jumper cable through panel and route through panels until it reaches middle side panel. Place external, right back panel on first tier of base frame. Route base wires through bottom of back panel and secure to middle and side panel, and base using cap screws.



Scan to  
Watch Step

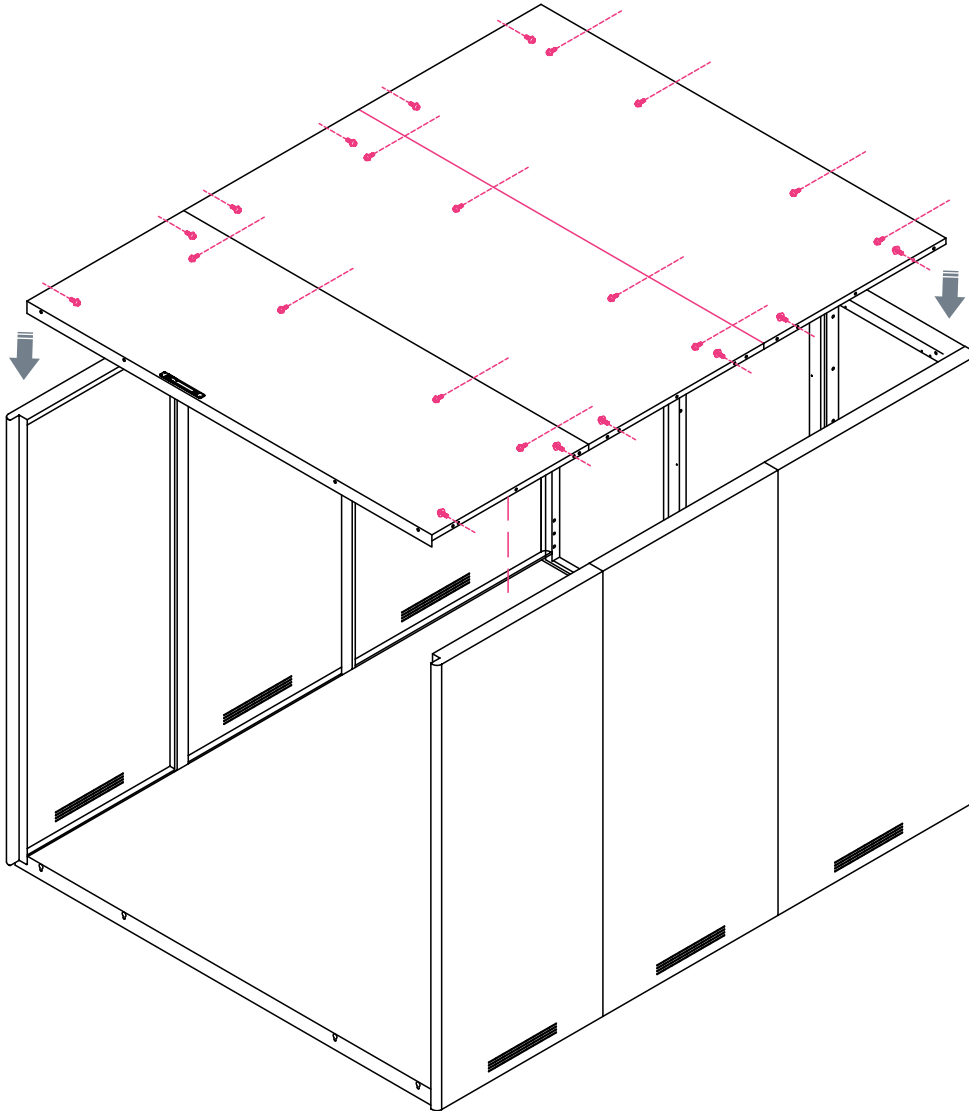


## 6 | Secure External Top Panels

Separate external and internal panels. Remove plastic wrap from external top panel and set on top of all side panels and secure. Pull back insulation from inside of external panel and secure to back panel using cap screw. Then, secure side panels to top panel using cap screws with hex nuts. Repeat for remaining top panels.



Scan to  
Watch Step



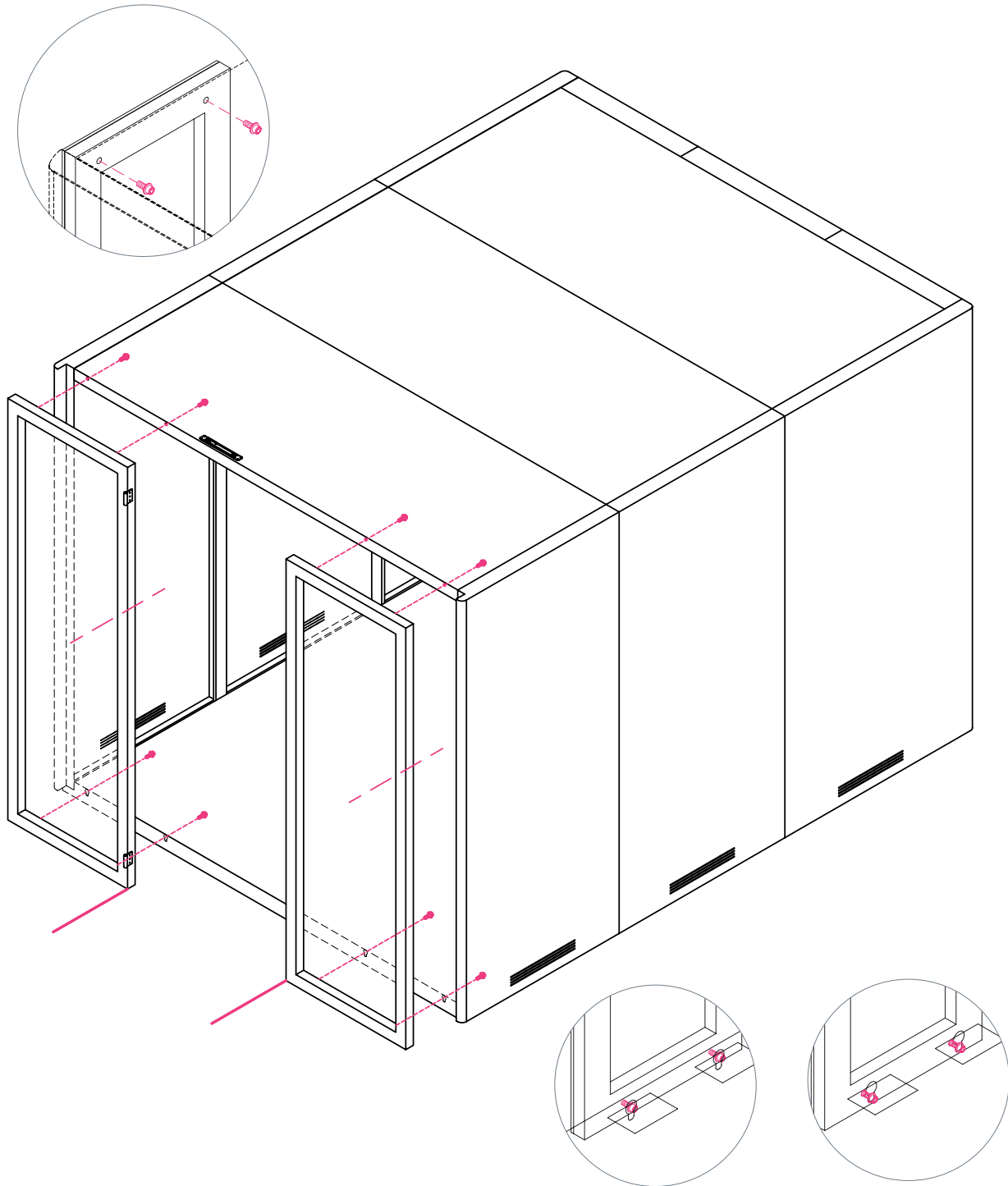


## 7 | Secure Glass Panels

Pull back carpet flaps and remove remaining metal plate. Bring glass panels on frame and secure top and bottom with cap screws. Reinstall metal plates for each cutout. Repeat for other side.



Scan to  
Watch Step

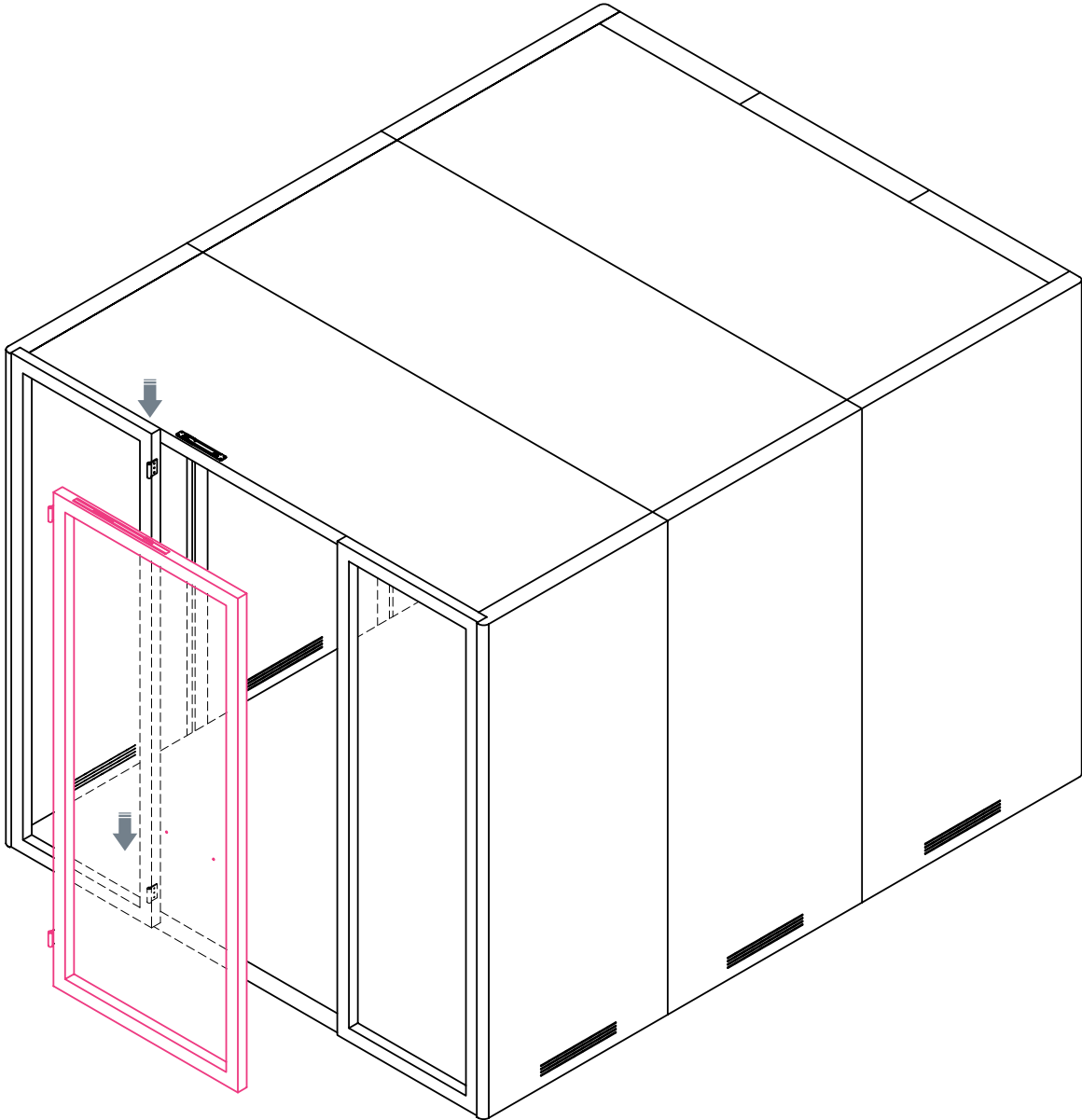


## 8 | Secure Glass Swing Door

Remove plastic wrap from door. Slide door hinge barrels through top and bottom hinge pins located on pod frame. Glass door hinge barrels will sit flush with frame hinge barrels.



Scan to  
Watch Step

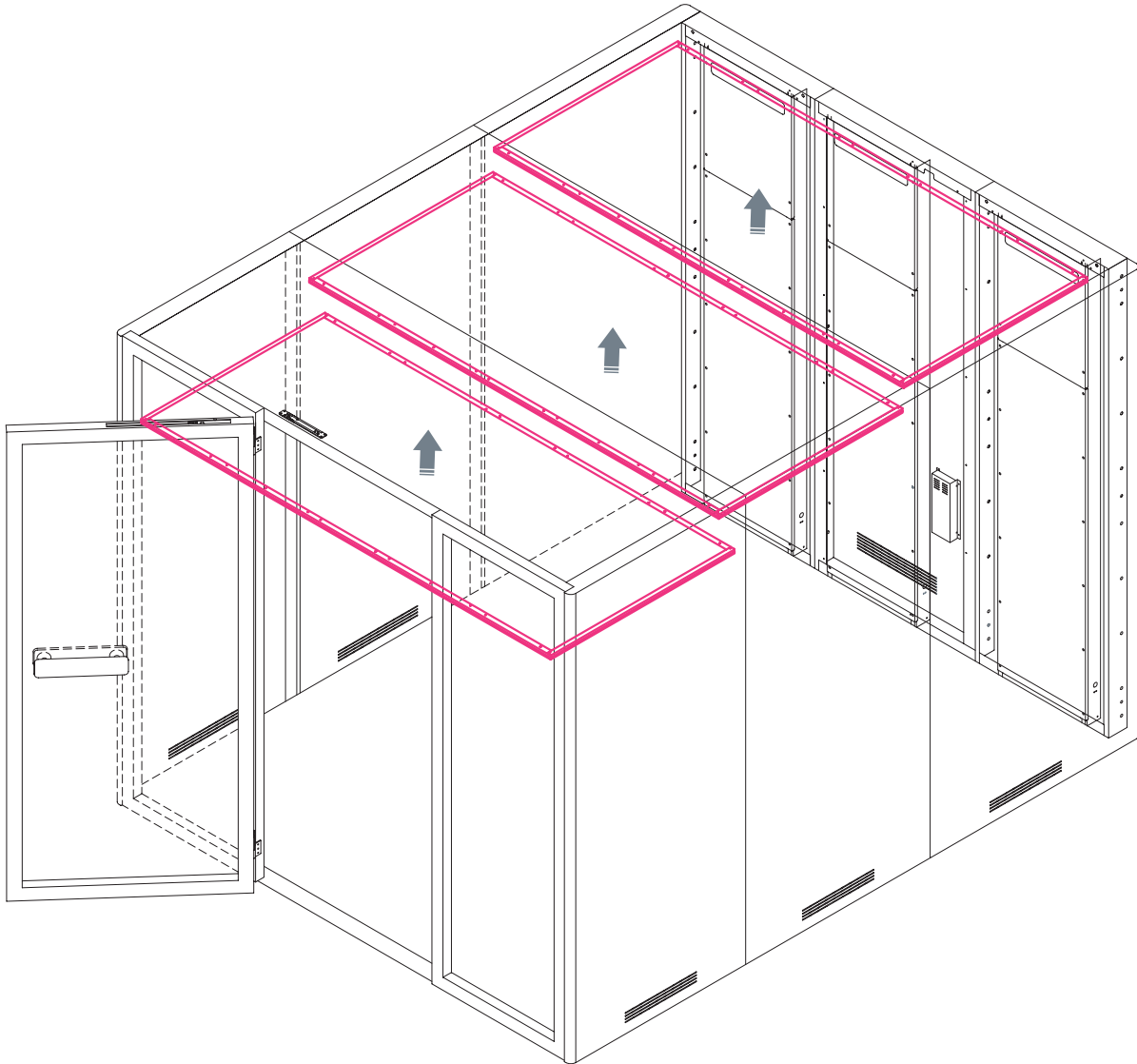


## 9 | Connect Cable to Internal Top Panel

Connect sensor cable to top panel and snap internal panel into place. Snap other top panels into position. Make sure magnets snap into place on all corners.



Scan to  
Watch Step

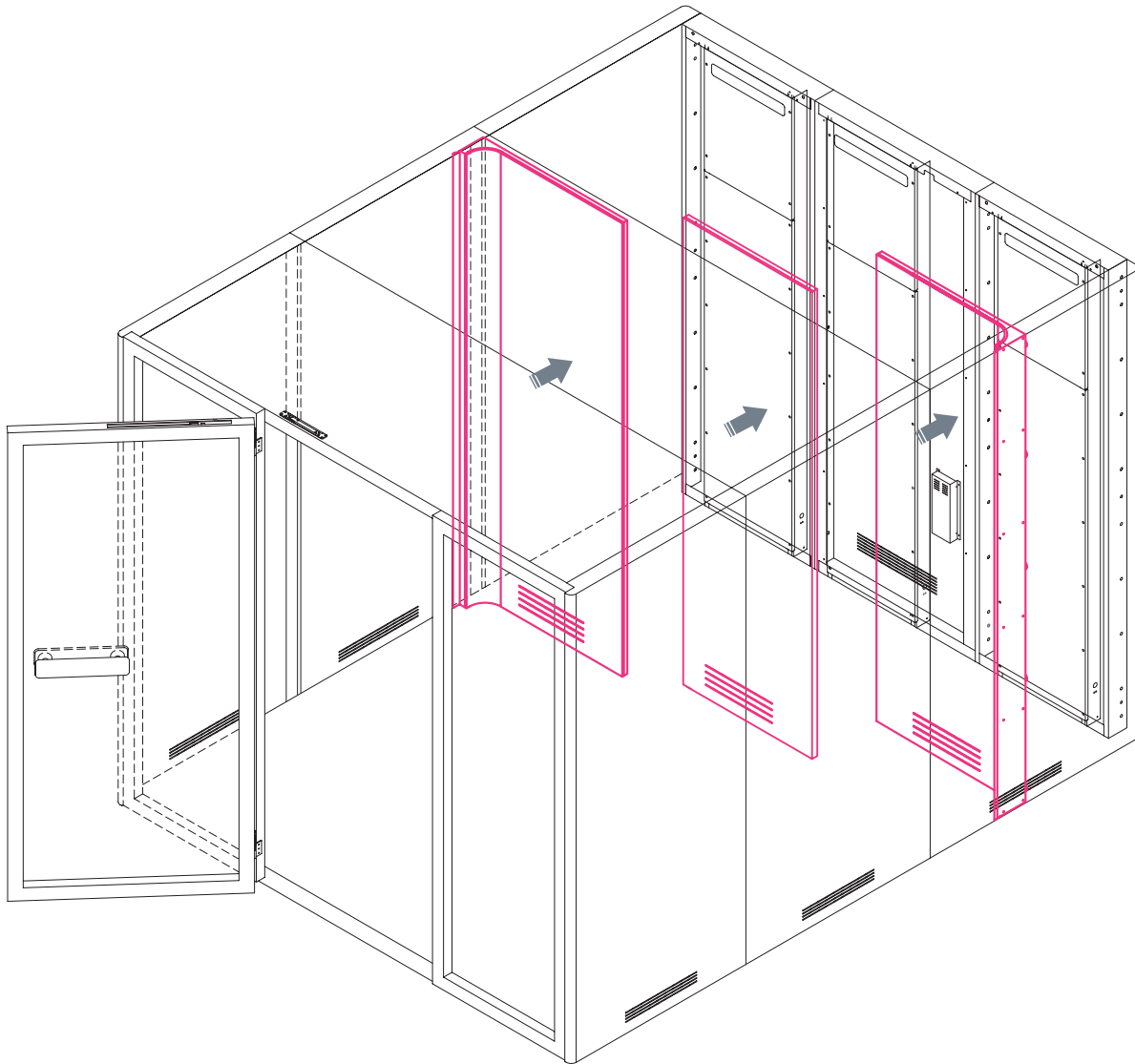


## 10 | Connect Internal Back Panels

Bring internal right back panel into pod. Press panel against wall, making sure magnets snap into place on all corners. Repeat for all back panels.



Scan to  
Watch Step



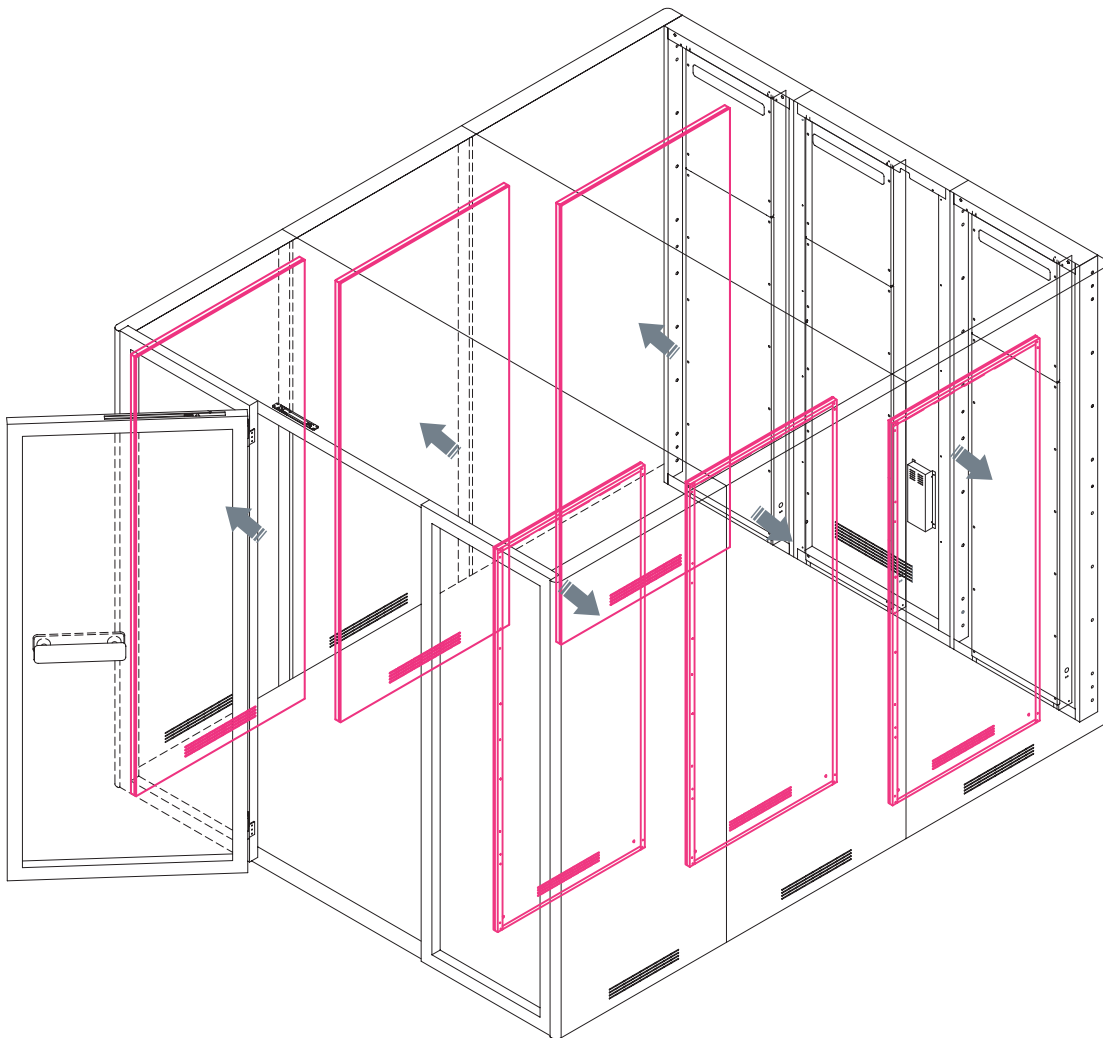


Scan to  
Watch Step

## 11 | Connect Internal Side Panels

Bring internal, left panels into pod. Press left side panels against wall, making sure magnets snap into place on all corners. For middle, left panel: Connect pod cables to internal middle left panel and run data cable through back panel. Press back panel into place, making sure magnets snap on all corners. Repeat for other side.

**Note:** Insert power module into front right panel and secure with screws. Connect power module cable and press panel into place, making sure magnets snap on all corners. If installing a TV. mount, make sure to pop out die-cut holes from middle left panel.

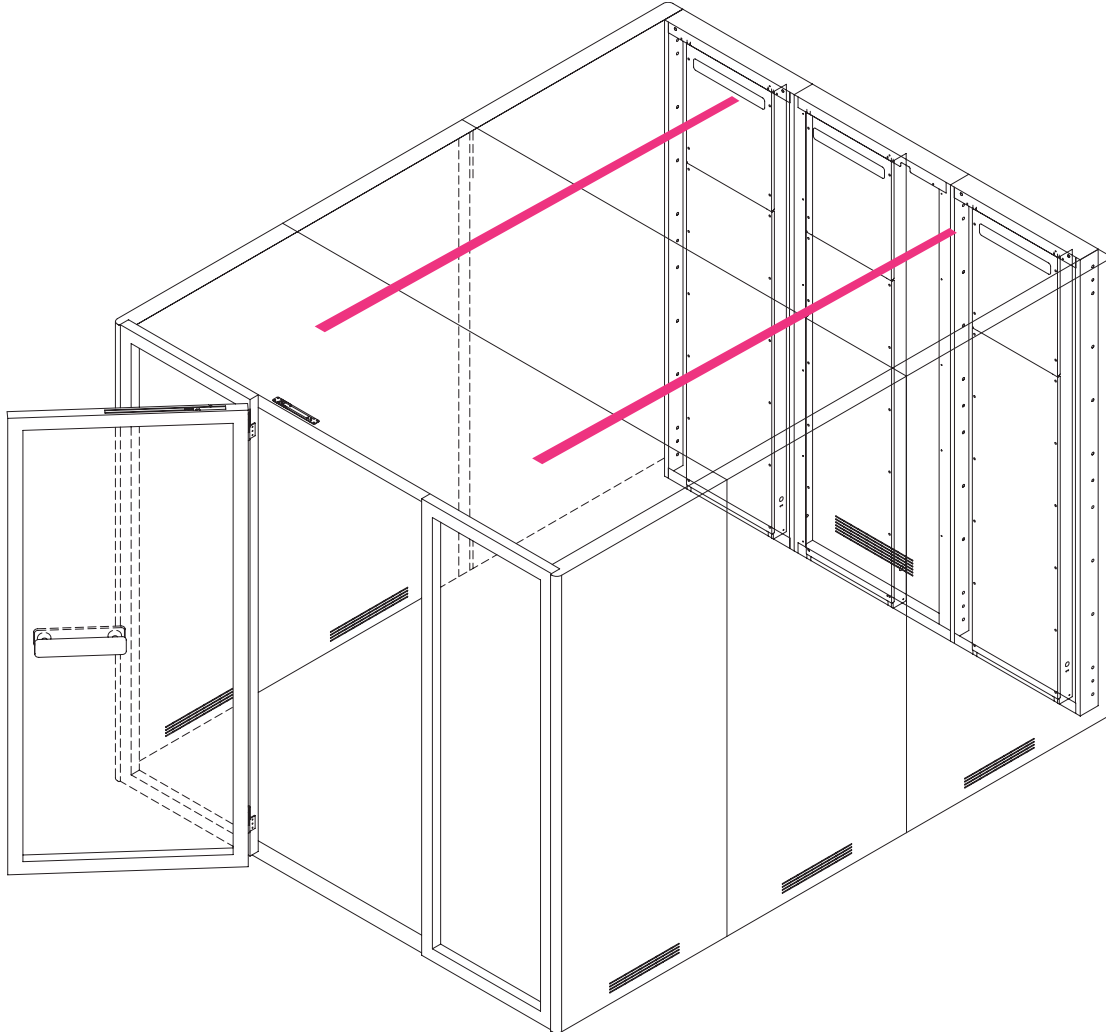


## 12 | Attach Light Fixtures

Connect LED light cables and snap light strips into place.



Scan to  
Watch Step



### 13| Secure Table Bracket, Table Base, and Table Top



Scan to Watch Step

Run data cable through table bracket. Align table bracket to pre-drilled holes on back panel and secure using screws. Once bracket is secured, install table base using cap screws. Remove backing from adhesive on the base cover and slide base cover down to floor. Secure square metal plate on top base using a cap screw. Set tabletop on both bracket and base and align with pre-drilled holes. Secure with screws.

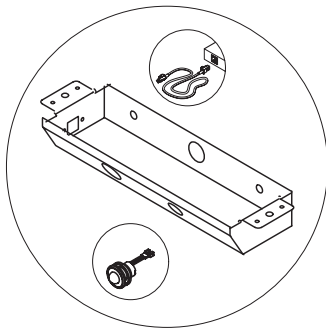


Table Bracket

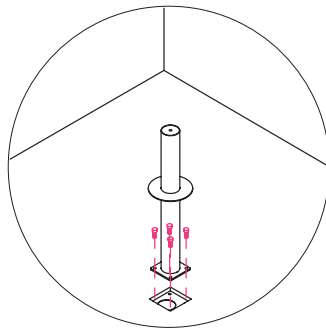
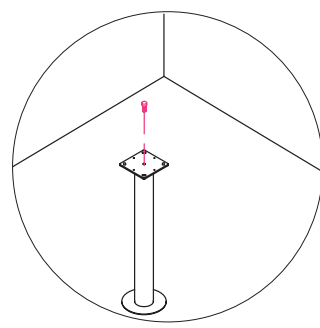


Table Base



Square Metal Plate

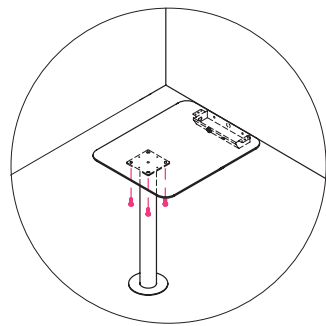
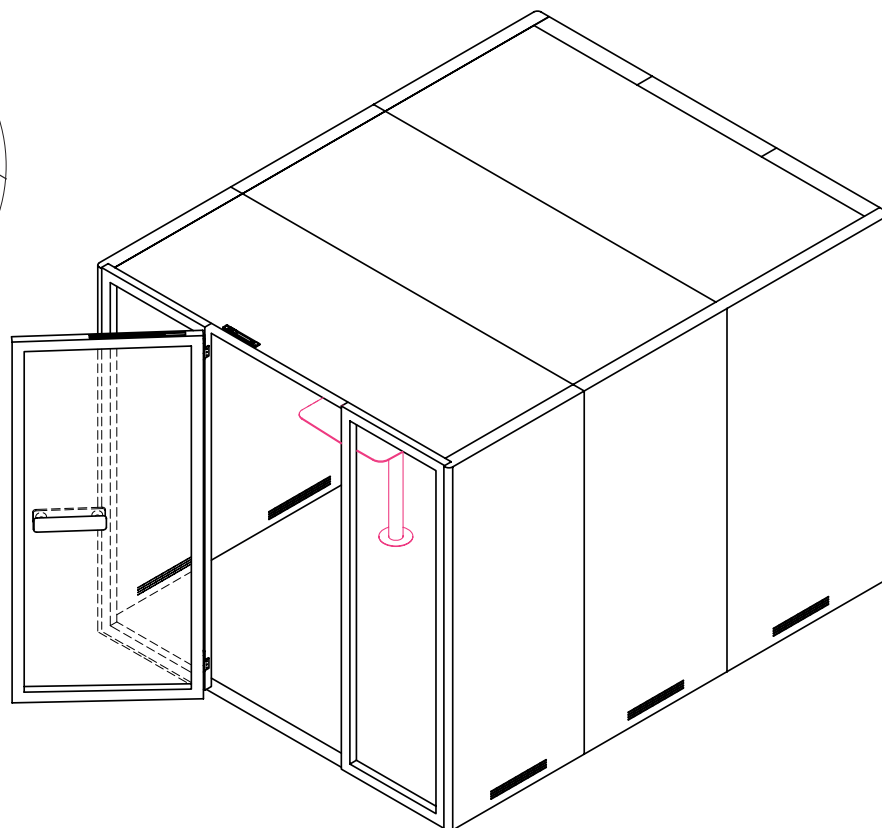


Table Top

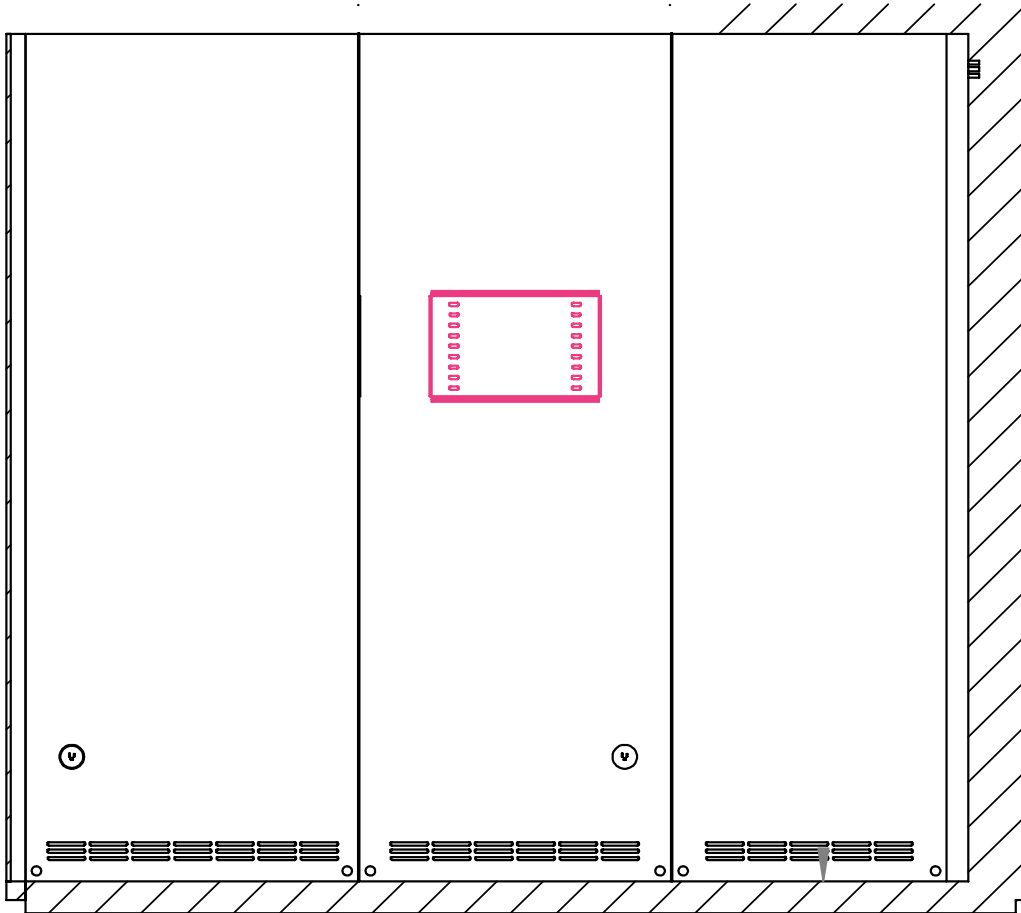


## 14 | Secure T.V. Wall Mount

Secure wall mount plate to panel using cap screws. Attach brackets to screen, then mount onto plate.



Scan to  
Watch Step



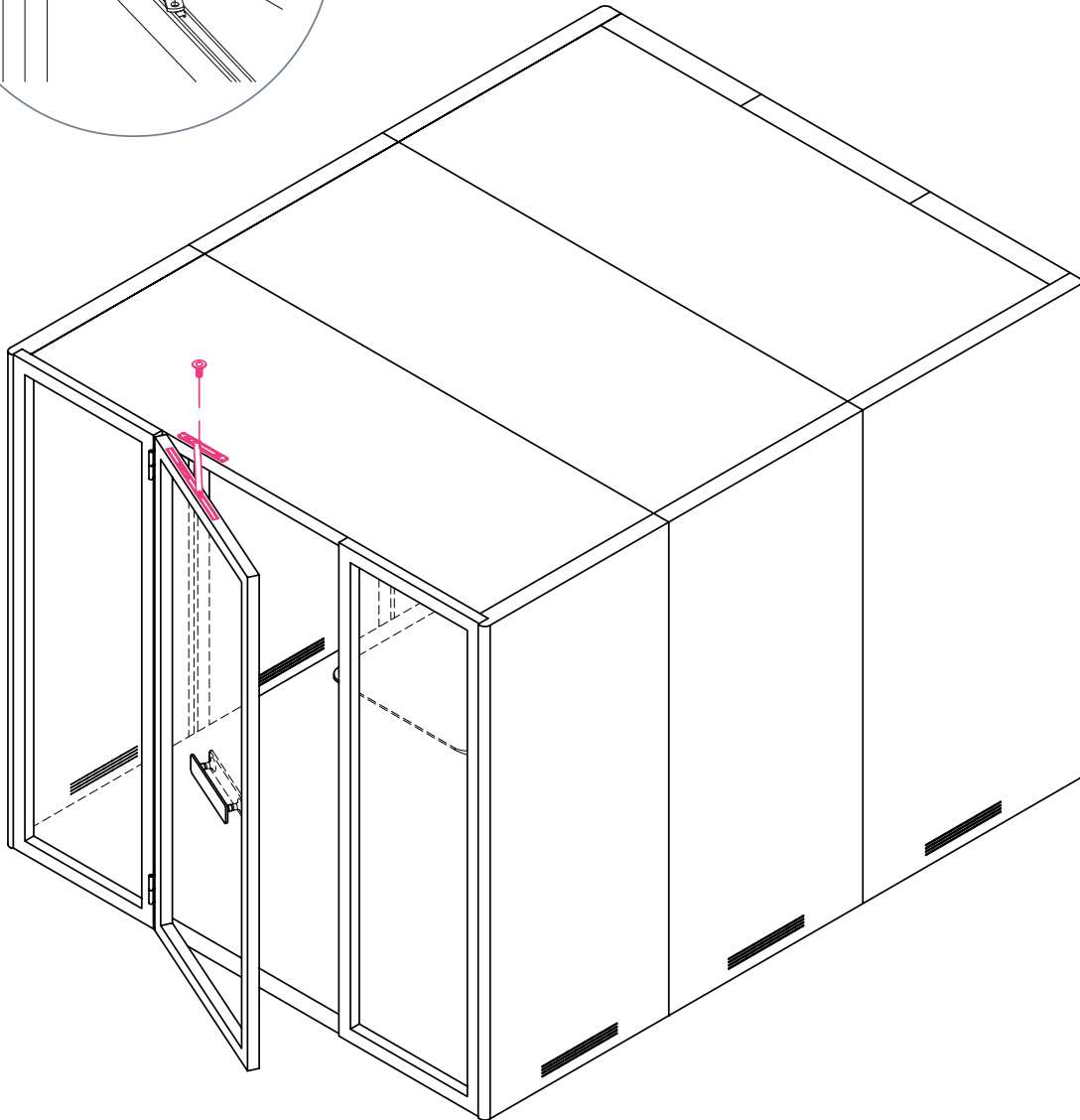
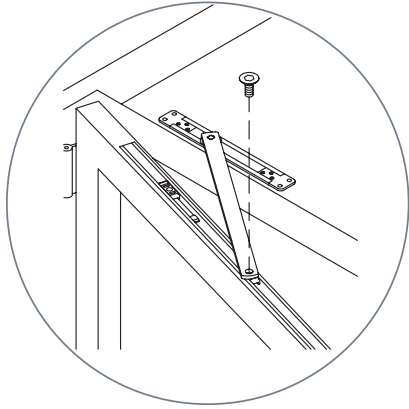


## 15 | Secure Concealed Door Closer

Slide concealed door closer from top panel over to door. Secure using screw.



Scan to  
Watch Step

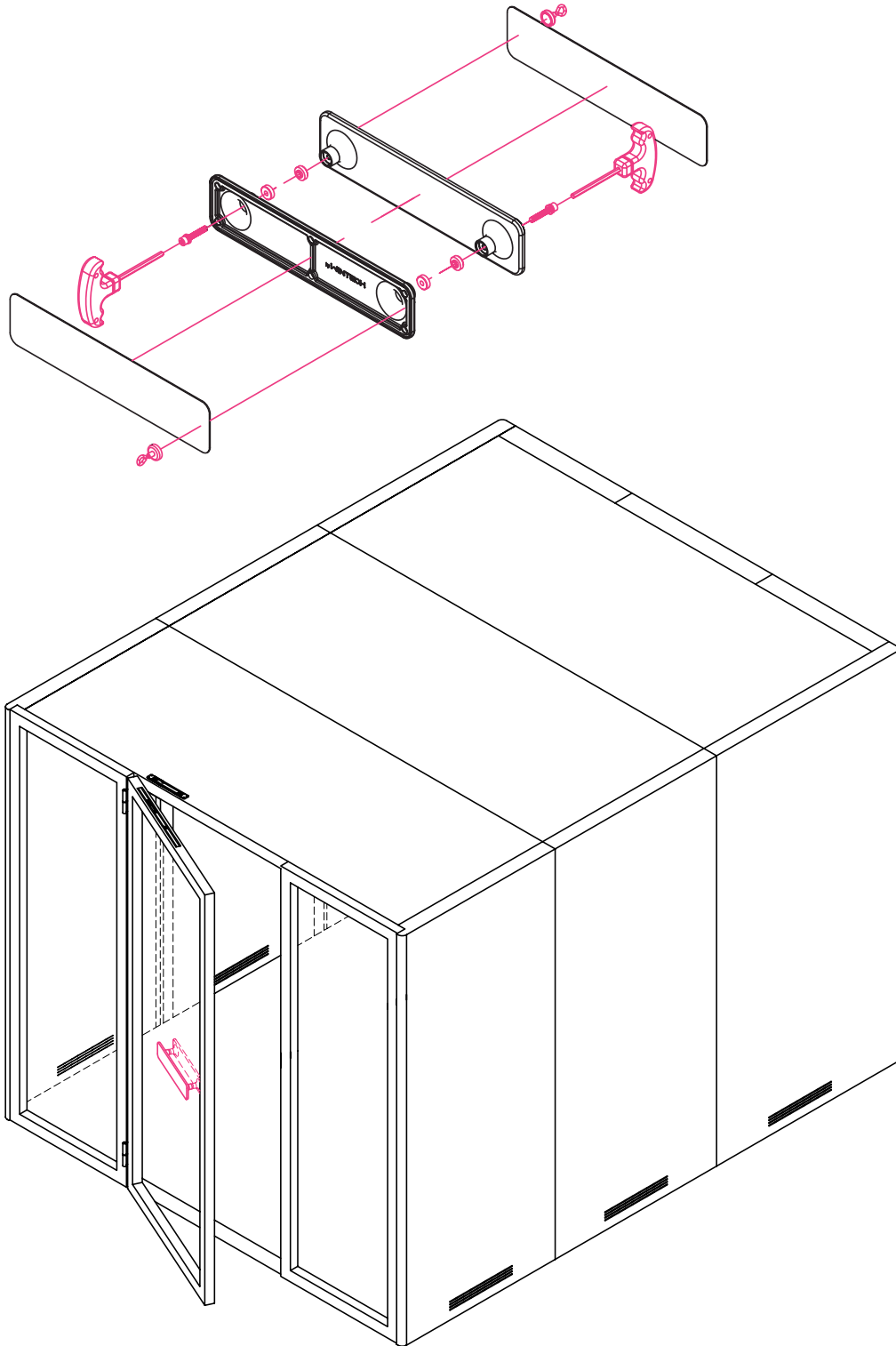


## 16 | Install Door Handle

Insert plastic caps inside each handle riser. Align interior and exterior handle risers to pre-drilled holes in glass door and secure using screws. Using magnet provided, place metal plates onto handles.



Scan to  
Watch Step

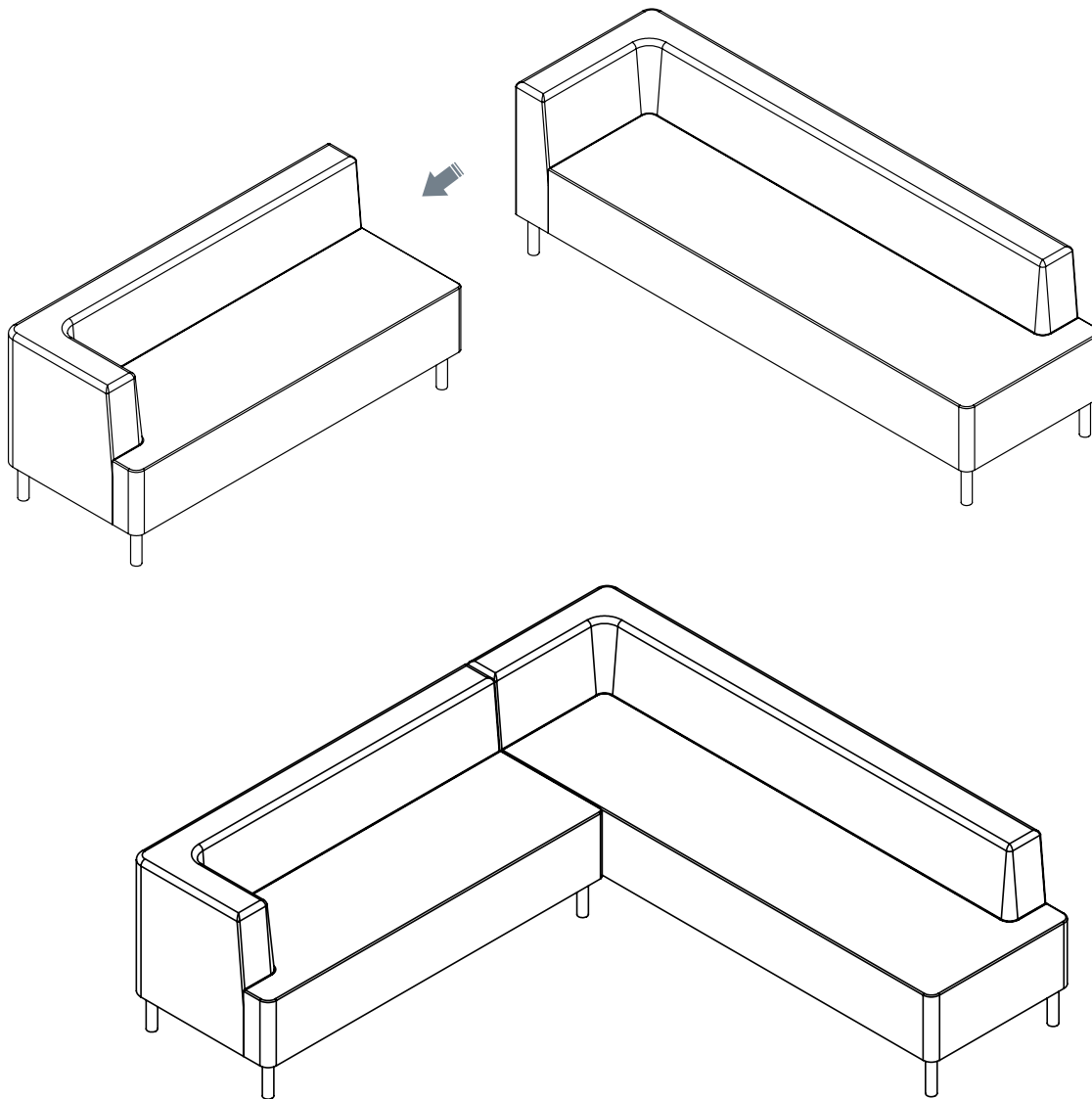


## 17 | Install Sofa Set

Remove hardware from bottom of sofa. Align foot screw holes with sofa screw holes and reattach with hardware. Repeat for all feet. Attach center support leg for sofa using screws.



Scan to  
Watch Step



## 18 | Secure Concealed Door Closer

Door closer speeds have been adjusted when leaving factory. In case of interference from external factors such as door and environment, speed of door closing device needs to be adjusted appropriately. Closing speed valve (valve 1) should be adjusted first and then latching speed valve (valve 2).

