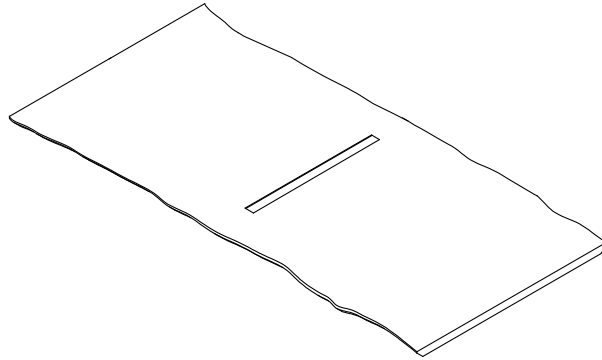


Natural Wood Tables

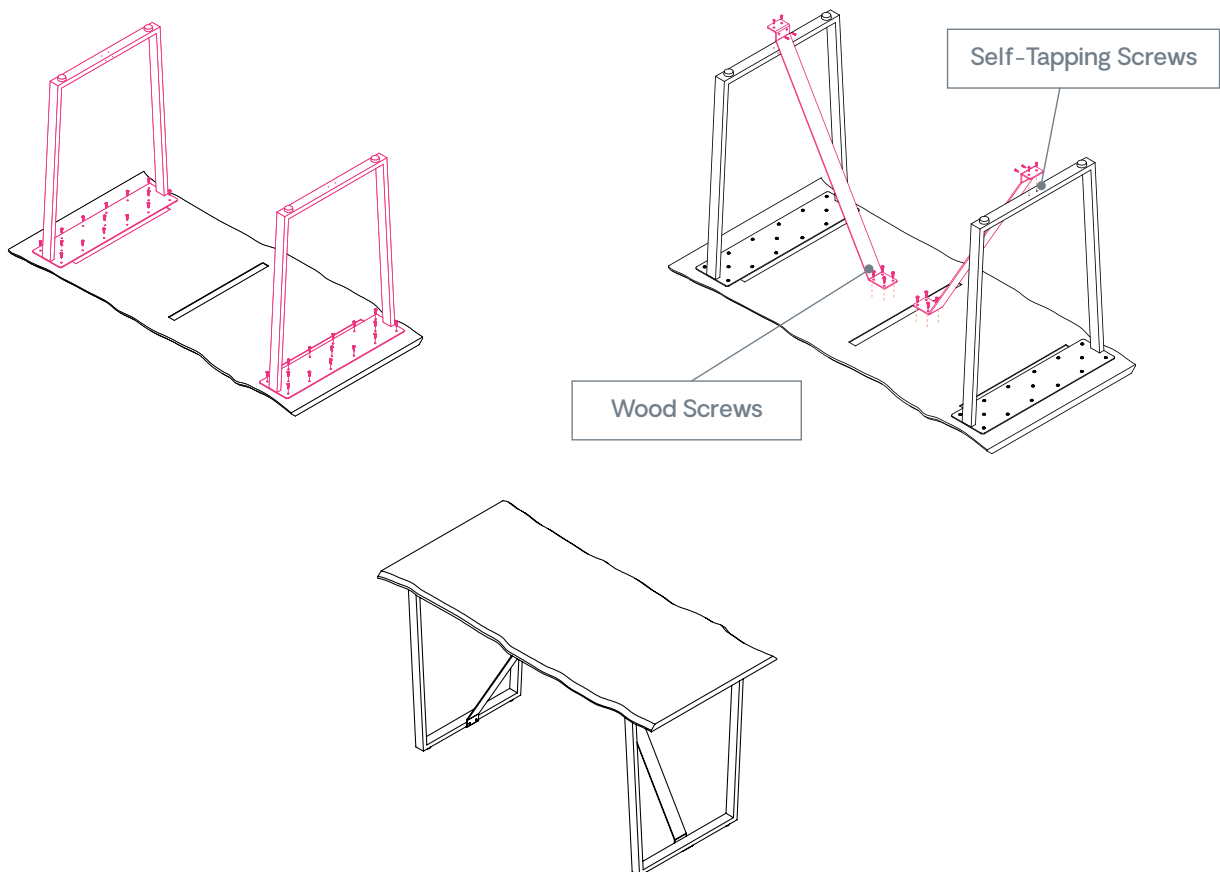
1 | Leg Installation

Place tabletop with bottom facing up on a soft surface to avoid scratching table. Acacia tables come with pre-drilled holes for installation. Align legs with pre-drilled holes and secure with provided screws.

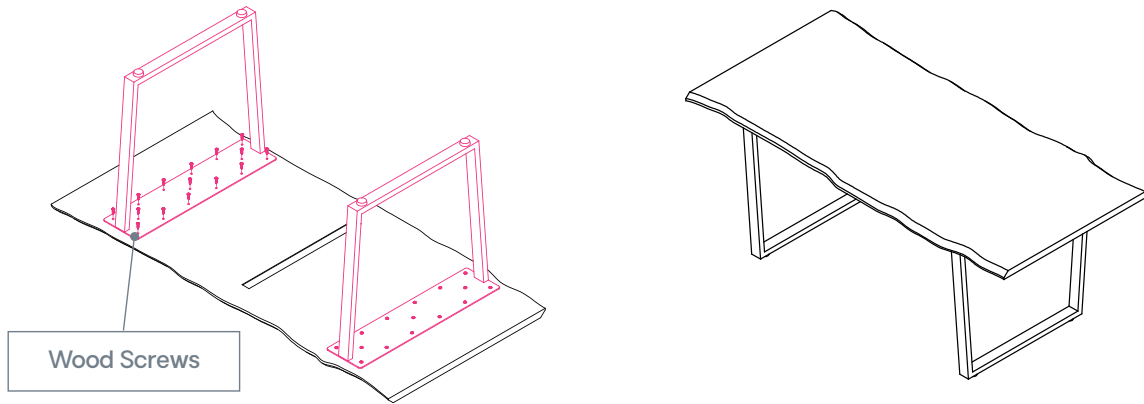


OPT A | Standing-Height Angled Sleigh Legs with Support Braces

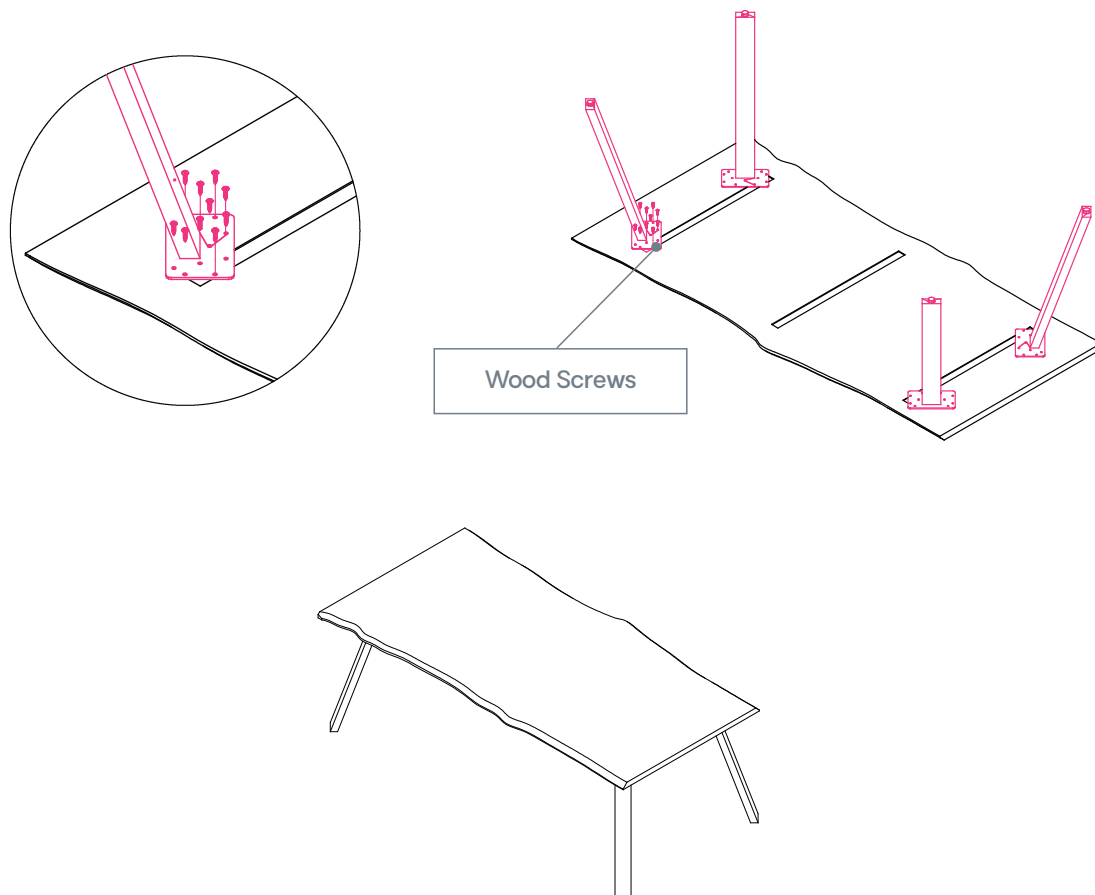
First, align leg and brace pilot holes to surface pre-drilled holes to identify location of self-tapping screws on bottom of leg.



OPT B | Seated-Height Angled Sleigh Legs



OPT C | Angled Post Legs



2-Piece Surface Installation

Place tabletops with bottoms facing up on a soft surface to avoid scratching table. Lay the joining hardware into slotted areas and attach flat brackets 1.5 inches from surface edges. Align leg and brace pilot holes to surface pre-drilled holes to identify location of self-tapping screws on bottom of leg. Secure with hardware.

