

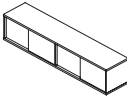




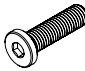
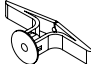

Overhead Storage

General Installation Guide



Watch Entire
Install Video

Parts List

Code	Qty.	Description	
BSDH-3	1	Sliding-Door Hutch	
	1	Wall-Mounting Wood Brace	
	4	Hutch Door Handle	
	8	Hutch Door Handle Screws	
	8	Wood Screws	
	4	Bolts	
	8	Wall Anchors	
	4	Heavy Duty Toggle Anchors*	

⚠ IMPORTANT NOTICE

* Toggle Anchors are not included in packaging. Due to many varied building construction environments, Customer and Installer are responsible for procuring and using appropriate fasteners/anchors for mounting storage products to wall. Product uses 8 fastening points to wall. Combined load capacity of fasteners should be GREATER THAN 200lbs. Correct fasteners will depend on wall construction of mounting location. Contact Juniper Office with any questions.

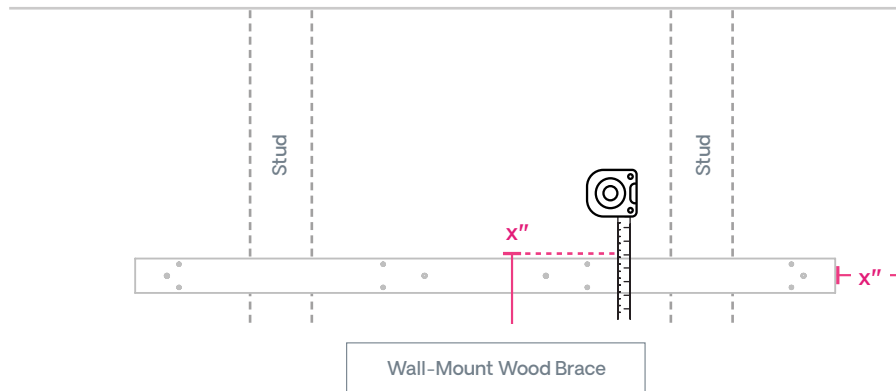
1 | Determine Mounting Location

Measure for hutch placement on wall and mark area. Find at least two studs for additional optional support (step 5) and mark locations.

Note: If mounting hutch near a corner and do not want it corner flush, place wall-mount wood brace on wall to determine distance from side wall and mark location.



Scan to
Watch Step

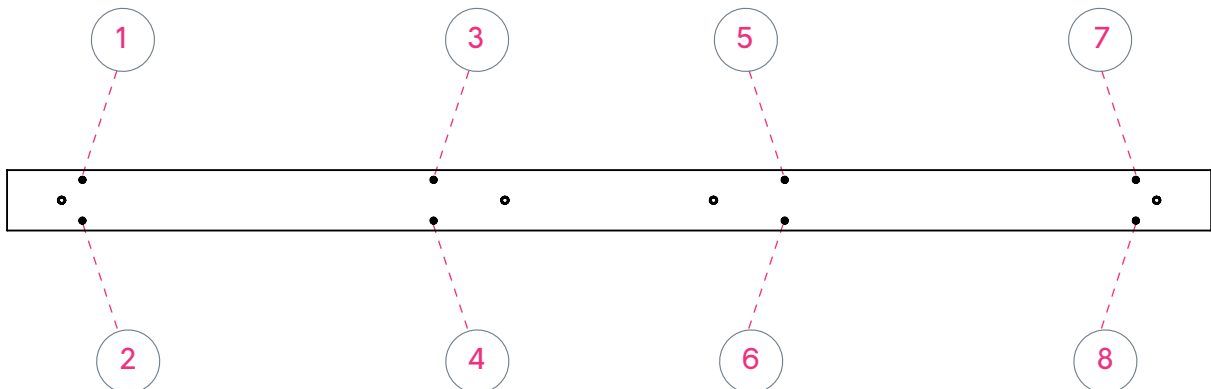


2 | Prep for Wall-Mount Wood Brace

For proper mounting support, make sure wood brace hole flanges are sitting against wall instead of facing out. Place wall-mount wood brace on desired area of wall and level. Once leveled, use a small enough drill bit to make pilot holes for wall anchors through wood brace holes shown by numbers in image below. Remove wood brace from wall.



Scan to
Watch Step

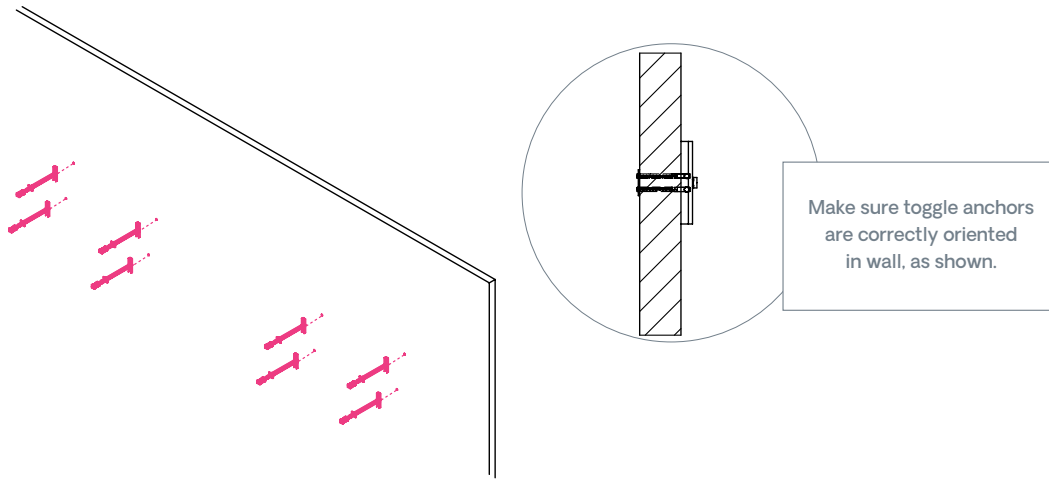


3 | Install Wall Toggle Anchors

Use proper drill bit to create holes where pilot holes were made for wall anchors. Install toggle anchors.



Scan to Watch Step



! IMPORTANT NOTICE

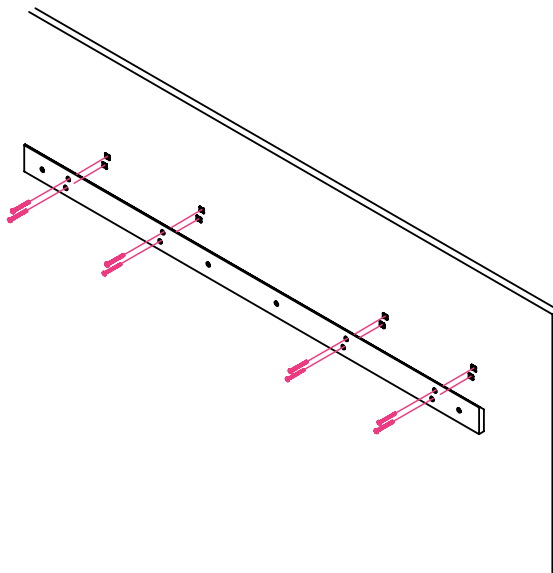
Due to many varied building construction environments, Customer and Installer are responsible for procuring and using appropriate fasteners/anchors for mounting storage products to wall. Product uses 8 fastening points to wall. Combined load capacity of fasteners should be GREATER THAN 200lbs. Correct fasteners will depend on wall construction of mounting location. Contact Juniper Office with any questions.

4 | Secure Wall-Mount Wood Brace

Place wall-mount wood brace back on wall, aligning holes with installed toggle anchors. Make sure flanges are sitting against wall instead of facing out. Attach brace using provided bolts to lock in place.



Scan to Watch Step

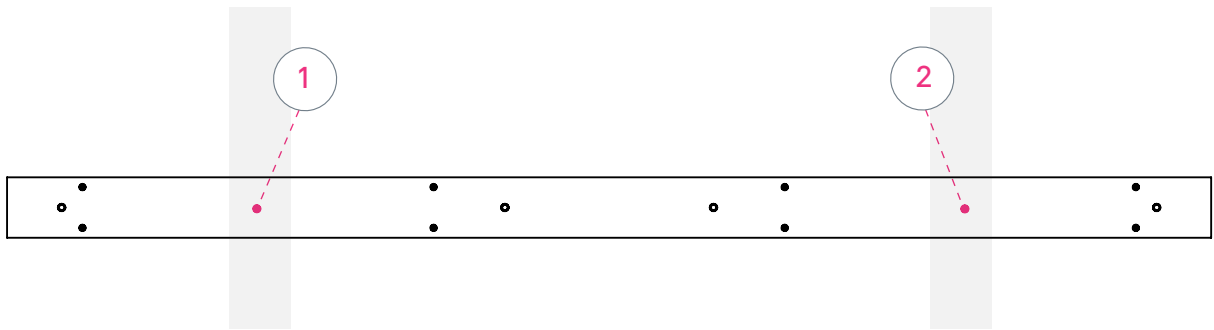


5 | (Optional) Recommended for Extra Support

Aligning with marked studs, create two pilot holes in wood brace using a countersink drill bit. Secure two wood screws to add extra support.



Scan to
Watch Step

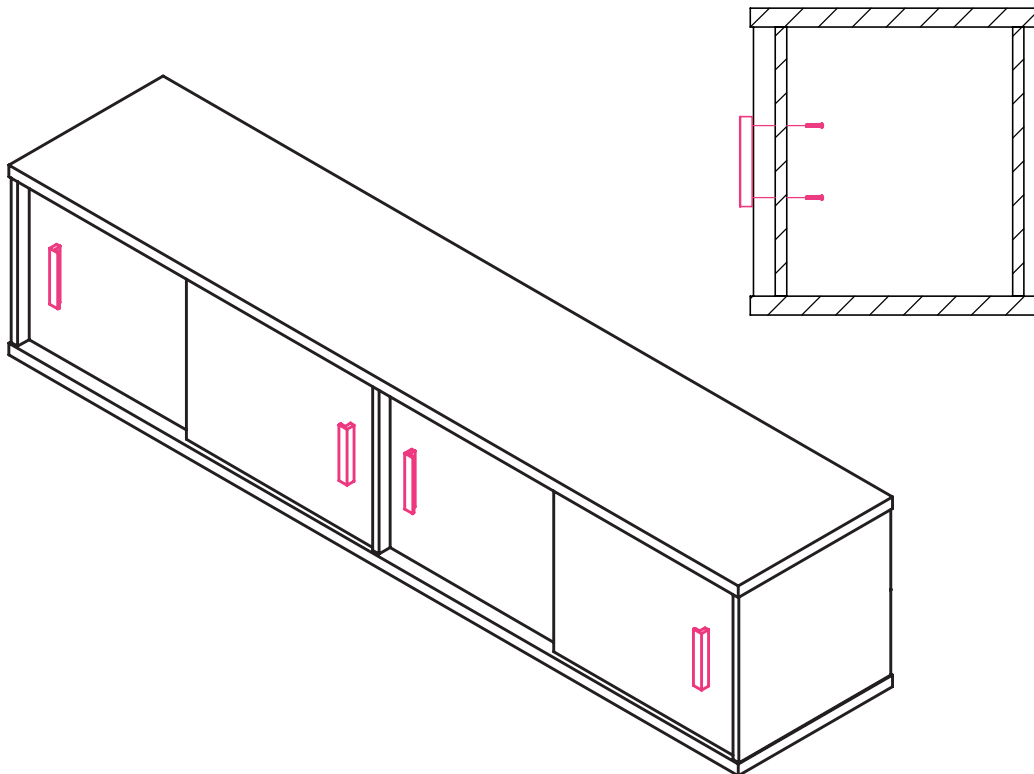


6 | Secure Handle Hardware

Using provided hardware, secure handles to doors. Use screwdriver to tighten.



Scan to
Watch Step



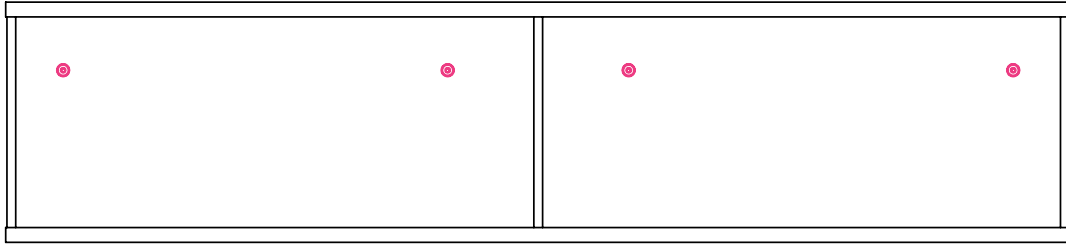
7 | Attach Hutch to Wood Brace

With additional assistance, align holes on hutch with holes on wall-mount wood brace. Using provided bolts, attach hutch to wall-mount wood brace. Secure tightly.



Scan to Watch Step

Hutch Holes



Wall

