

EDGE

Height-Adjustable Desk

Includes Add-Ons: [A1](#) | [A2](#)

General Installation Guide

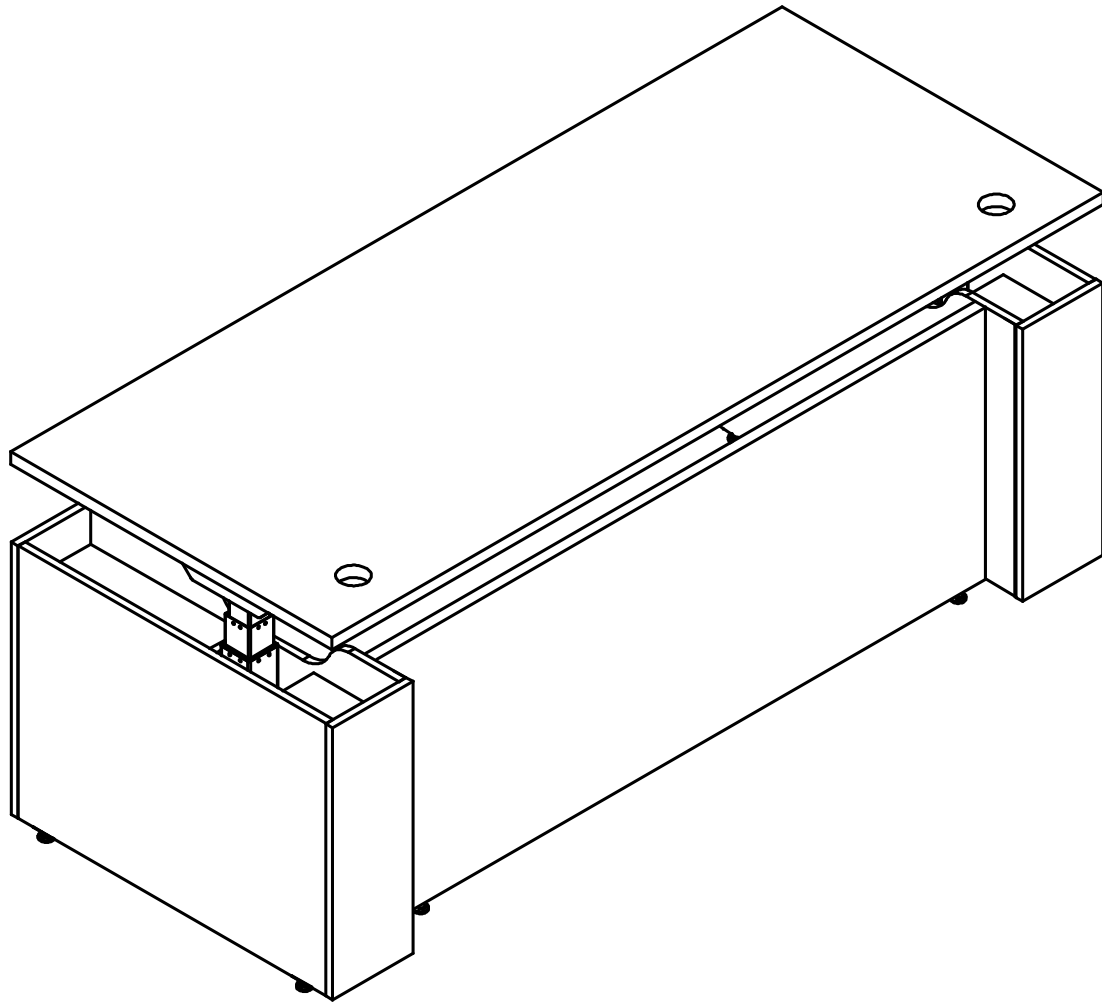
Edition Code

ESHA :: Stand-Alone Desk..... 1

Add-ons

A1 :: Modesty Panel..... 13

A2 :: Return Surface.....17




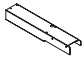
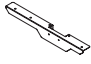

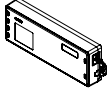

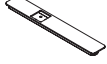
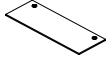

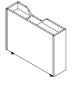
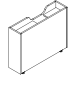
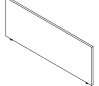
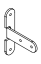


Stand-Alone Desk

Overview

EDGE Height-Adjustable Desk

! Quantities are for a single Stand-Alone Desk.
Parts may vary depending on project, but install steps will remain the same.

Parts List

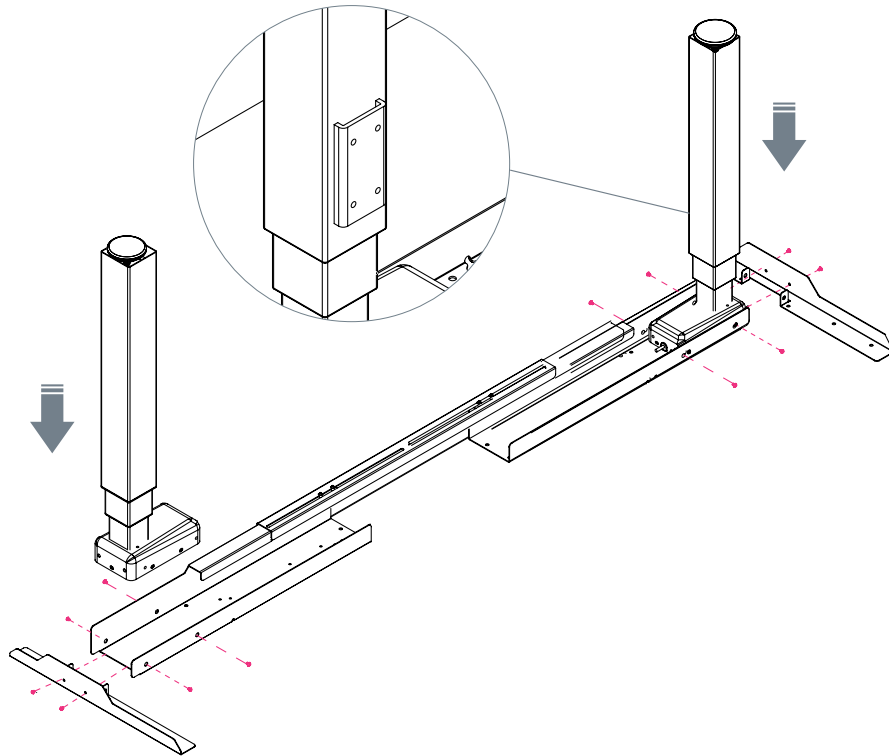
Code	Qty.	Description	
BPROF	2	Adjustable Leg	
	2	Surface Attachment Bracket	
	2	Surface Support Bracket	
	1	Width Adjusting Bracket	
	1	Control Box*	
	1	Cable*	
BPRO24F	1	24" C-Leg Foot	
GB3072	1	Main Surface	
BASB72	1	42" Support Bar	
ESHALC.L	1	Left-Leg Cover	
ESHALC.R	1	Right-Leg Cover	
ESHAFP72	1	Floor Modesty Panel	
LEPBL1-K	4	T-Bracket	
	16	Wood Screw	
LLTB	2	Bracket	

*Disregard Stand-Alone Desk control box and cable if installing a return surface. Return surface comes with its own control box and cables.

1 | Connect Legs and Support Brackets to Adjustable Surface Bracket

Slide one support bracket underneath each end of adjustable surface bracket. Set one leg at each end. Be sure all pre-drilled holes are aligned and secure with machine screws.

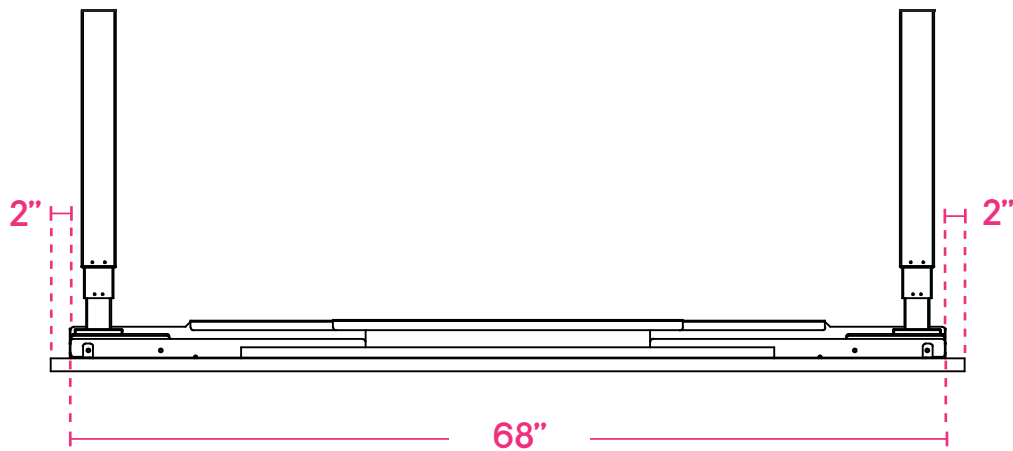
Note: Longer side of support brackets will be facing front of workstation and welded brackets from legs will be facing back of workstation.



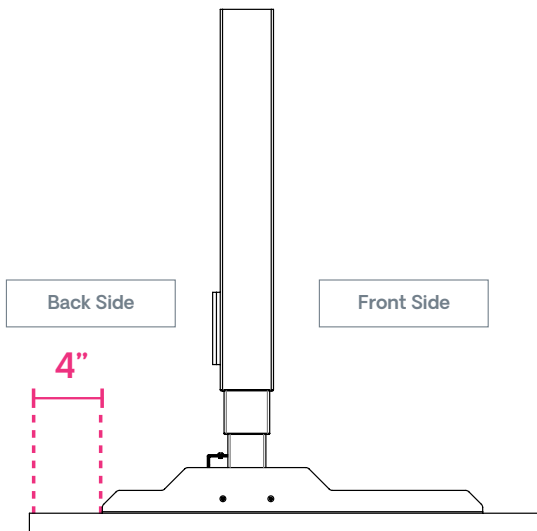
2 | Set Frame on Surface and Set Length

Align frame with surface width and measure from outer edges of workstation legs to determine proper workstation length. Frame length will measure to 68". Inset will be 2" for each side

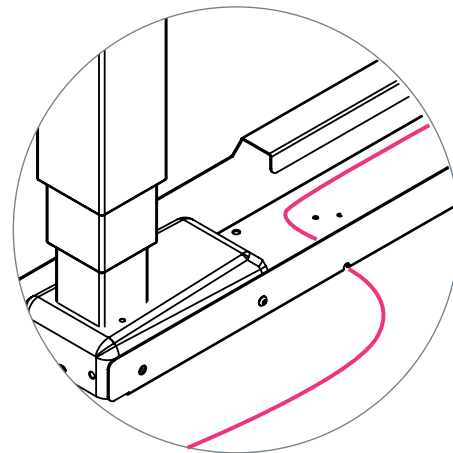
Note: Run handset cable through cutout at bottom of frame. For left hand return, run wire on right side. For right hand return, run wire on left side.



Front View



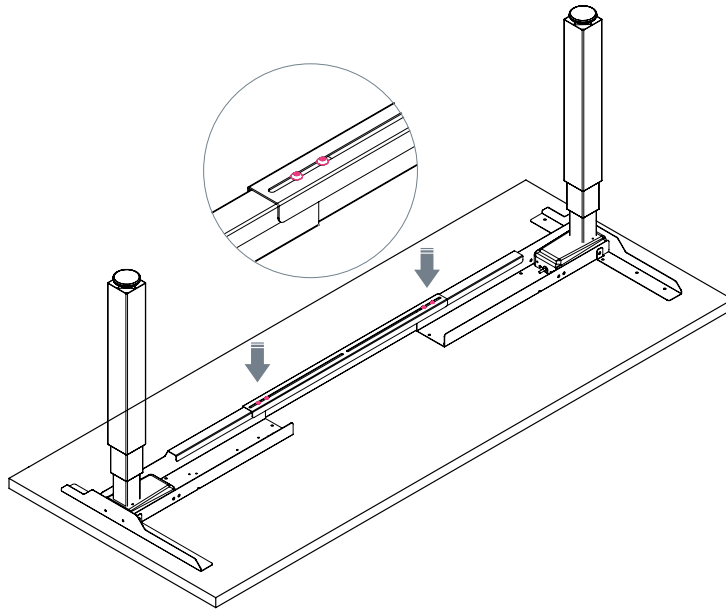
Side View



Handset Cable

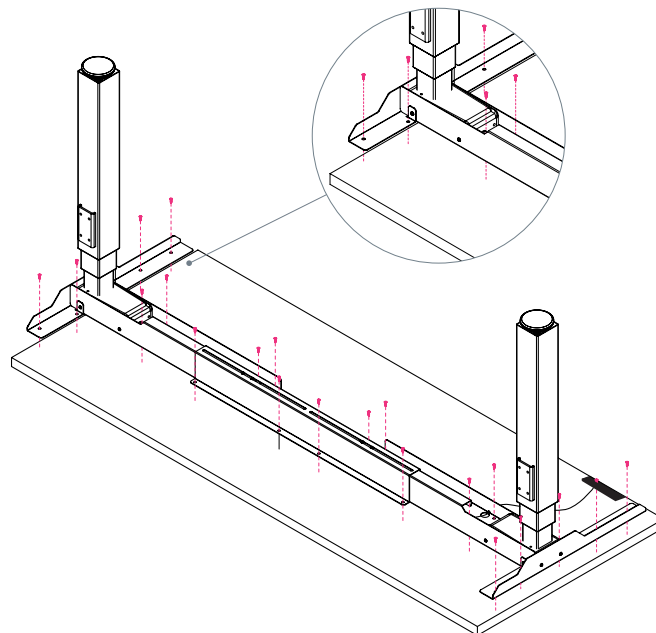
3 | Tighten Screws on Adjustable Surface Bracket

Tighten adjustable surface brackets screws to secure length.



4 | Secure Frame & Handset to Surface

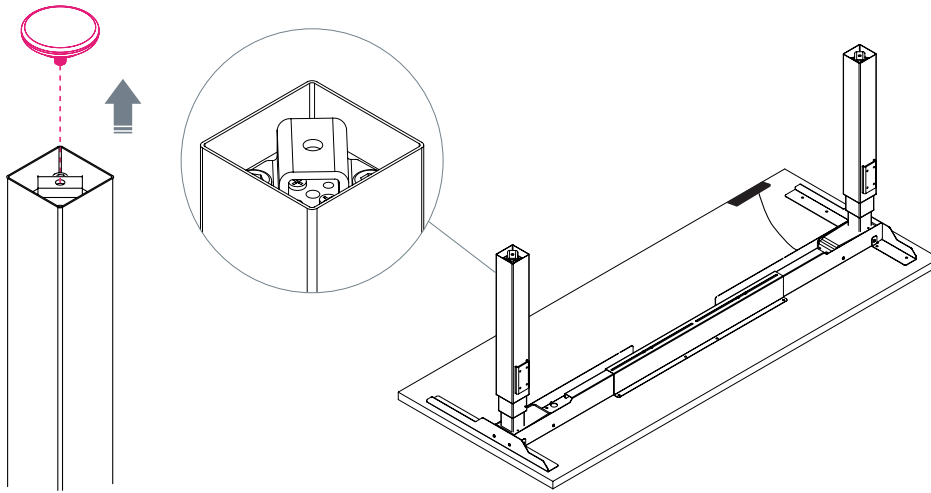
Using wood screws, attach frame to surface and tighten screws on adjustable center bracket.



5 | Remove Glide and Inner Bracket

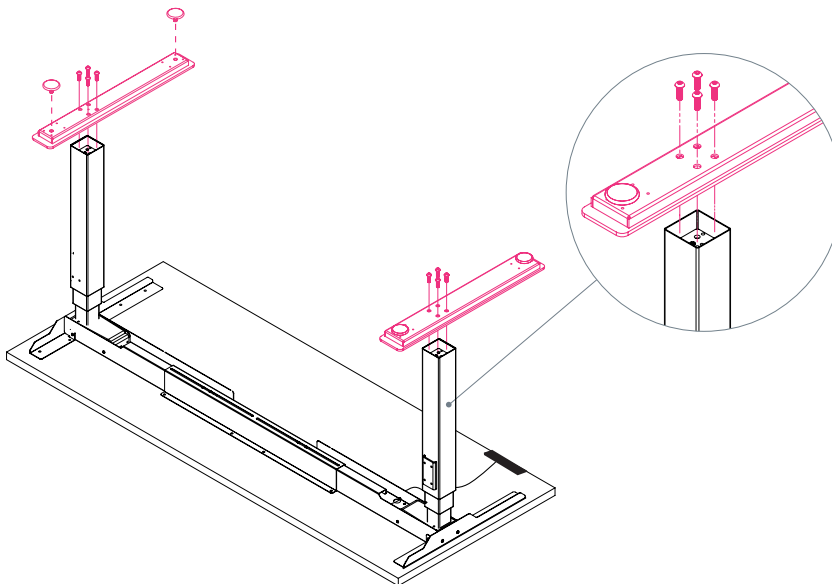
Twist off both glides. Then, using an Allen wrench remove screws that are holding the inner brackets.

Note: Glide and inner brackets must be removed so feet can be added to workstation.



6 | Secure Feet to Legs

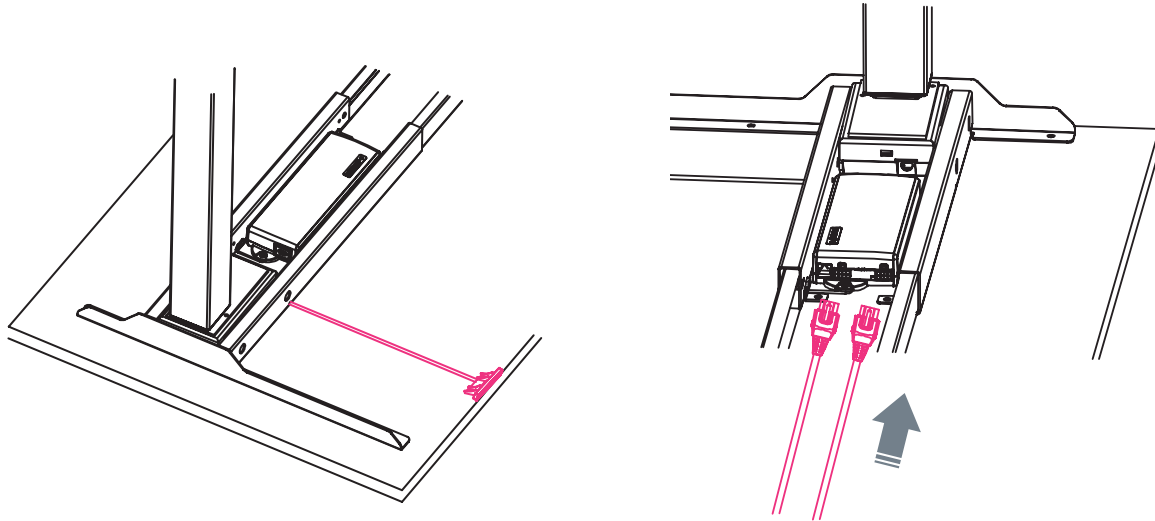
Using 4 screws for each foot, secure to legs with longer side of foot facing the front of workstation.



7 | Connect Leg Cables and Handset Cable to Control Box

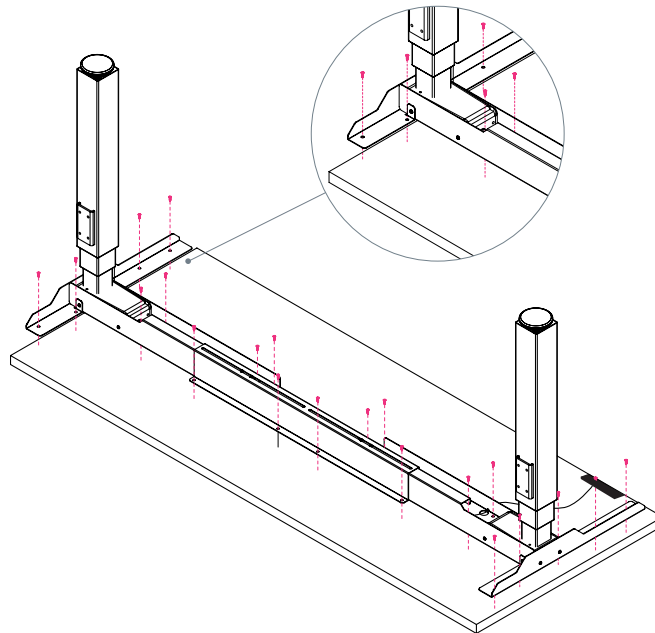


Note: If adding a height-adjustable return surface, DO NOT connect cables or handset to control box. A return surface control box will be installed on PAGE 25, replacing existing control box.



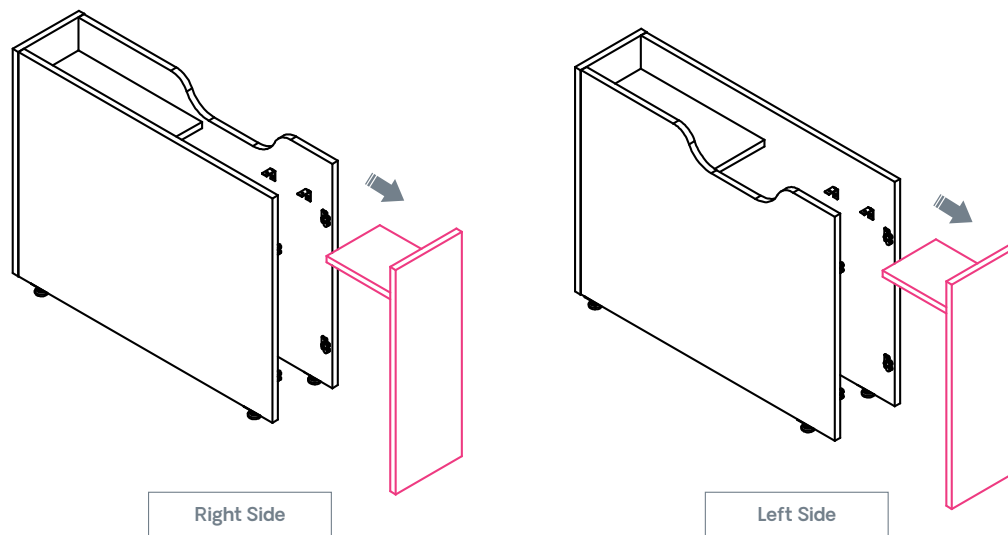
8 | Secure Support Bar

Secure support bar to center of the main surface. Insert wood screws through support bar and into underside of surface. Tighten the screw on main profile beam. Flip surface over.



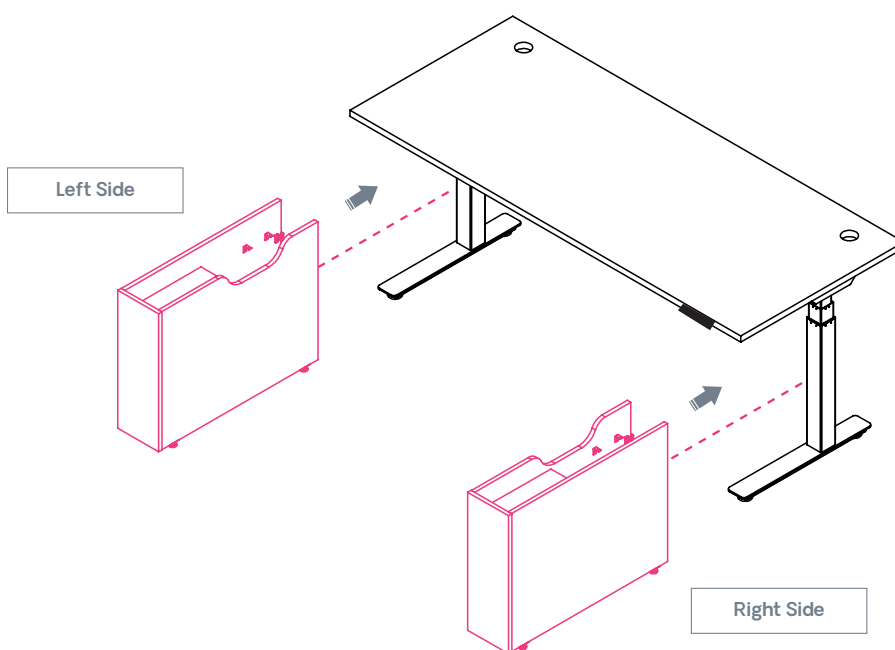
9 | Remove Panel from Leg Covers

Slide out panels from both leg covers and set aside.



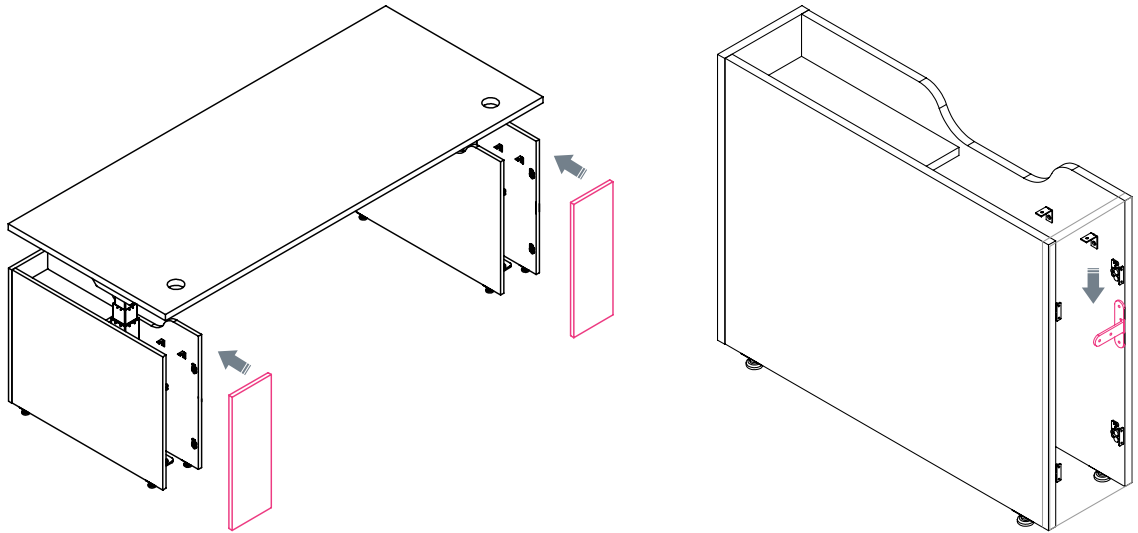
10 | Slide Leg Covers Around Frame Legs

Leg covers should align with sides of surface, and front/back edge of surface.



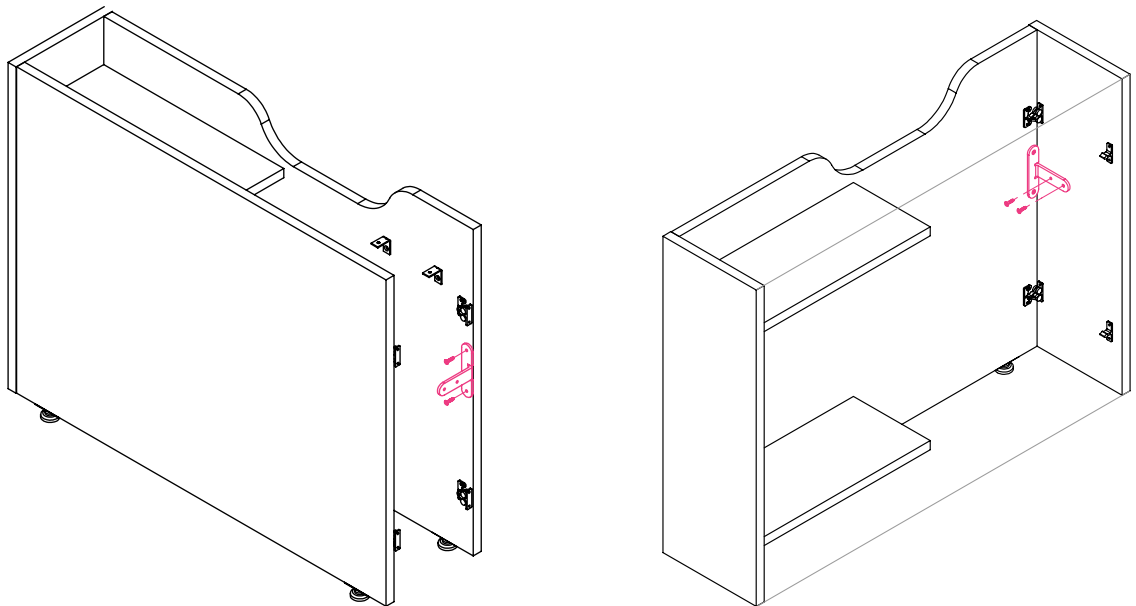
11 | Prep Location for Leg Cover Brackets

With front panels in position, place short side of bracket against inner wall of leg cover, and long tab against inside of removable cover. With a marker, mark location of holes on inner wall of leg cover.



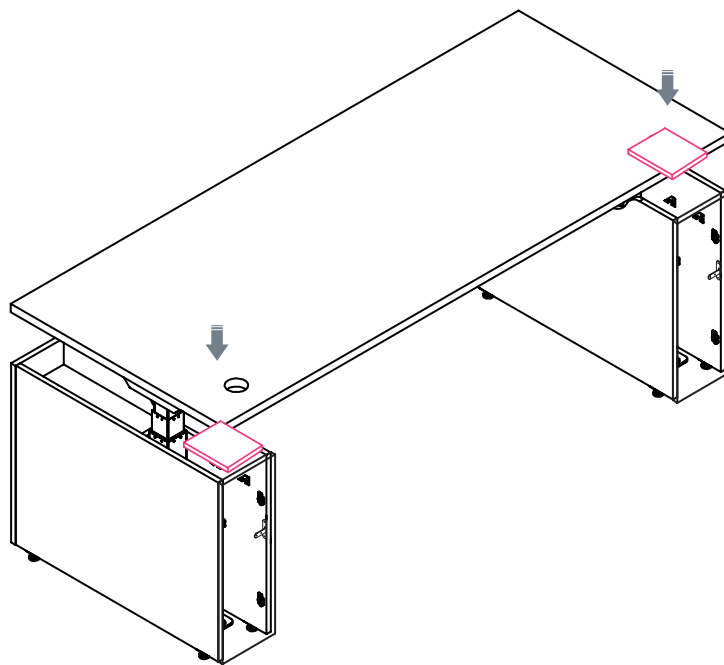
12 | Secure Brackets to Leg Covers

Remove front panel and screw bracket to inner wall of leg cover where location was marked. Then, attach front removable panel and screw bracket to front removable panel.



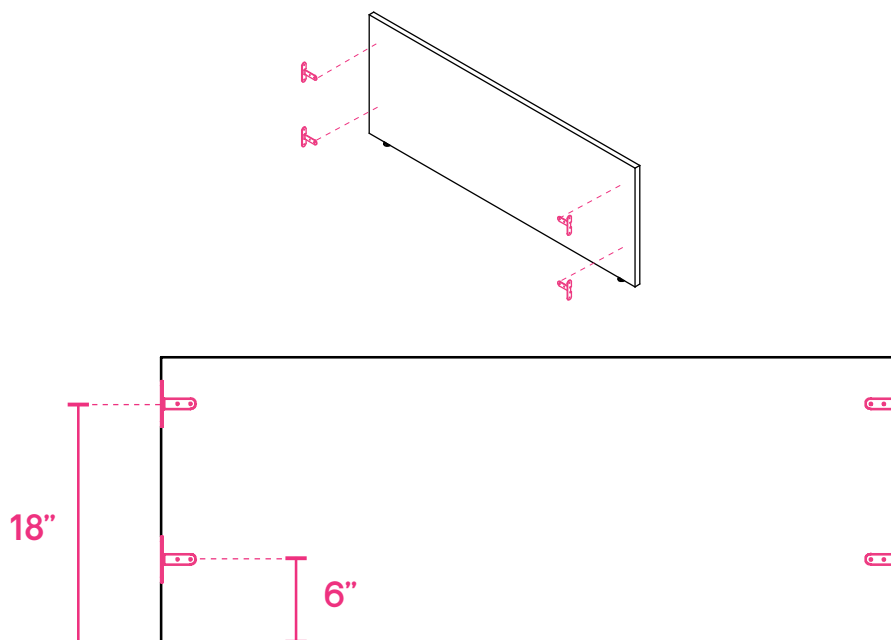
13 | Position Leg Cover Tops in Place

Set leg cover tops on small brackets inside leg covers.



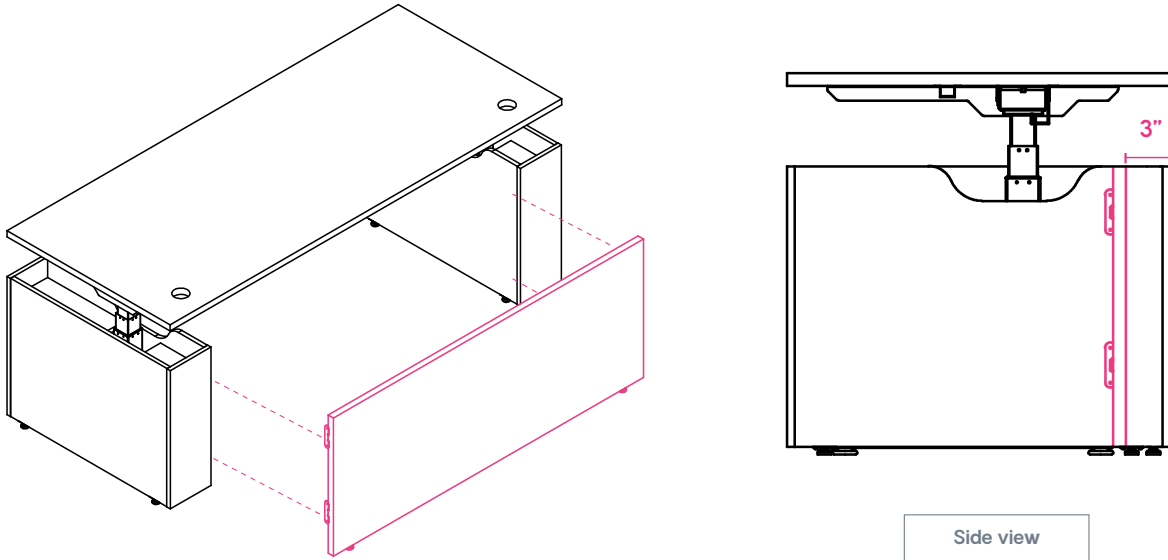
14 | Attach T-Brackets to Floor Modesty Panel

Secure 4 T-brackets using provided wood screws.



13 | Attach Floor Modesty Panel to Leg Covers

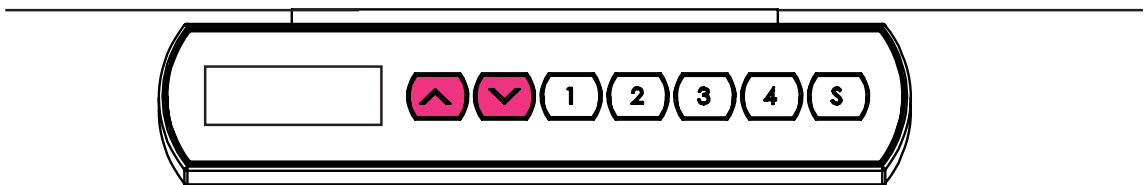
Secure modesty panel with T-brackets using provided wood screws. The floor modesty panel will be inset 3/4" from the leg covers.



14 | Power up and Initialize

Note: If installing a height-adjustable return surface, skip step. Power up and initialize will occur on PAGE 25.

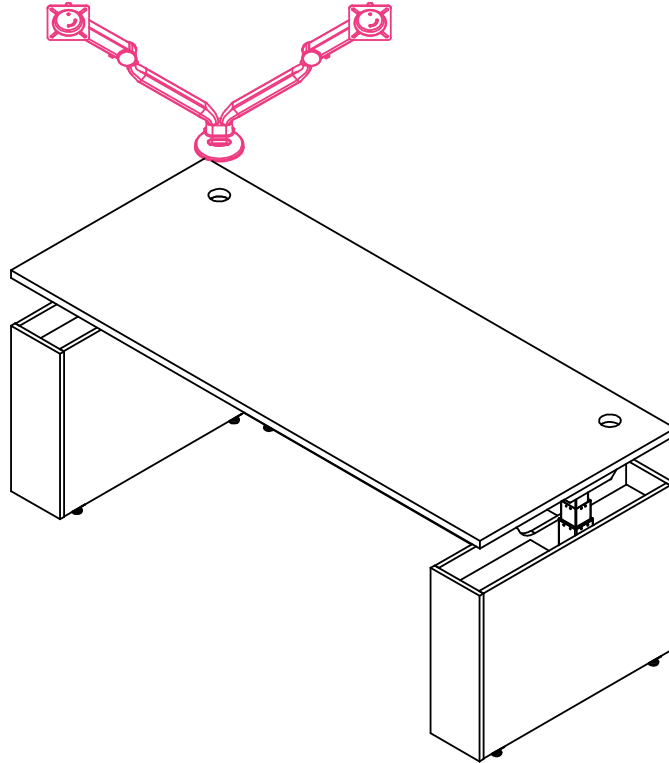
Connect cord to power source then press and hold ^ and v simultaneously for 5 seconds until both leg columns are in lowest position. Desk will slightly rise, lower again, and then stop. Release buttons. The system is now operational.

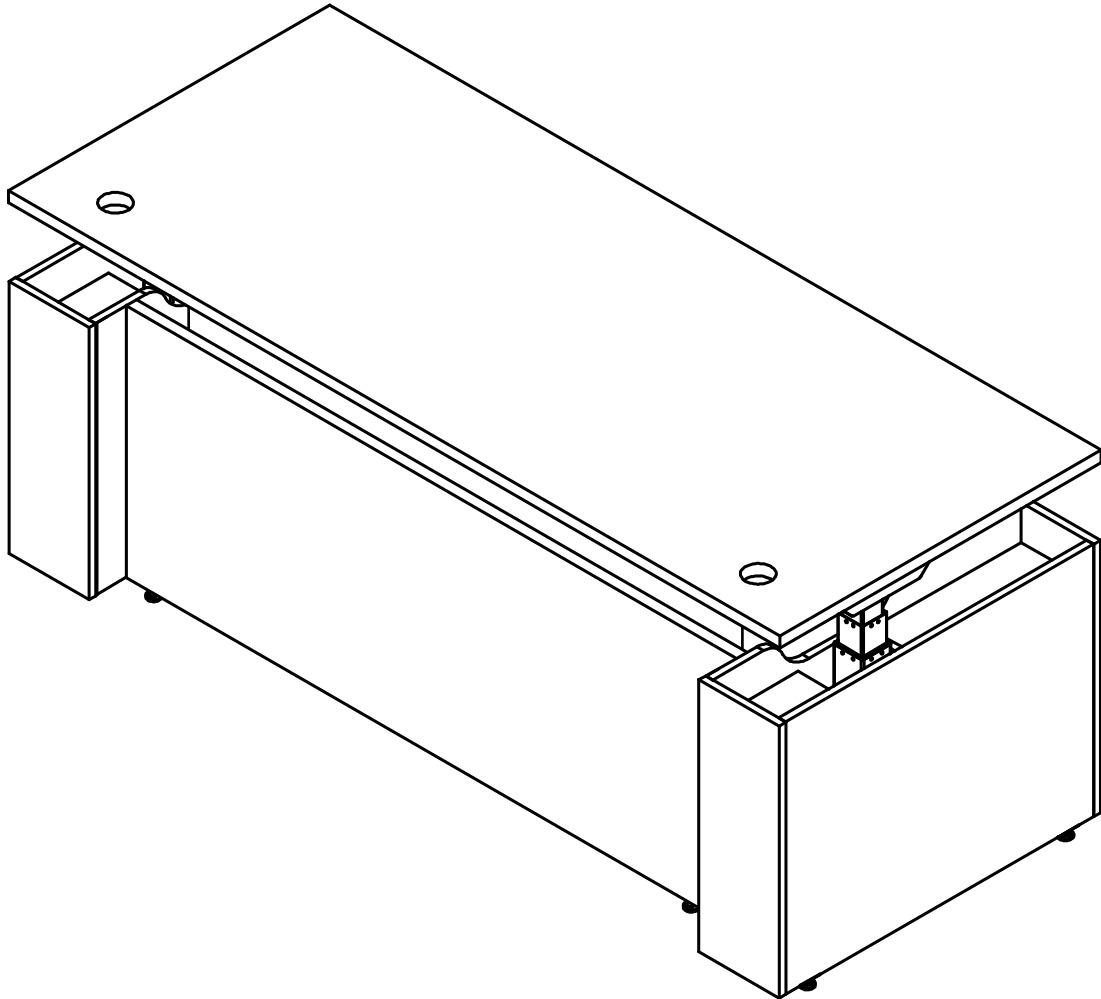


Optional | Monitor Arm

Follow proper instructions when installing monitor arm.

Note: Bottom of monitor arm mount should not make contact with the EDGE Height-Adjustment components.





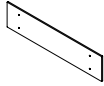


Laminate Modesty Panel

Overview

EDGE Height-Adjustable Desk

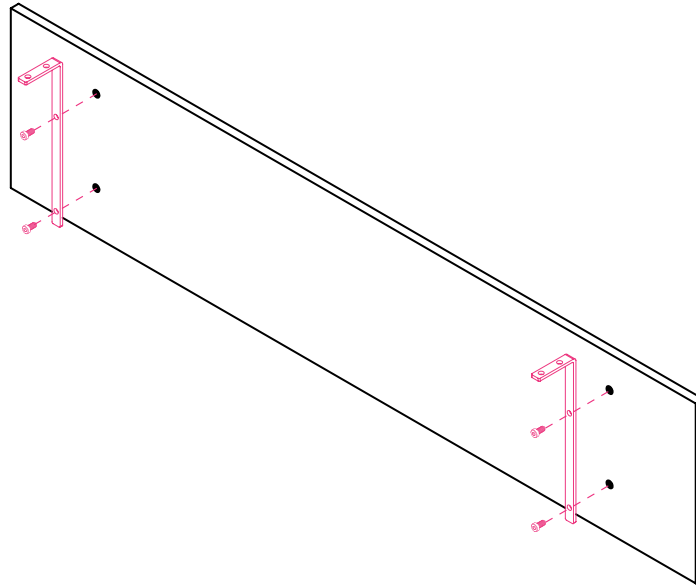
! Quantities are for a single EDGE Laminate Modesty Panel . Parts may vary depending on project, but install steps will remain the same.

Parts List

Code	Qty.	Description	
GLMP	1	Laminate Modesty Panel	
	4	Machine Screws	
BMPBFB	1	L-Brackets	
	4	Wood Screws	

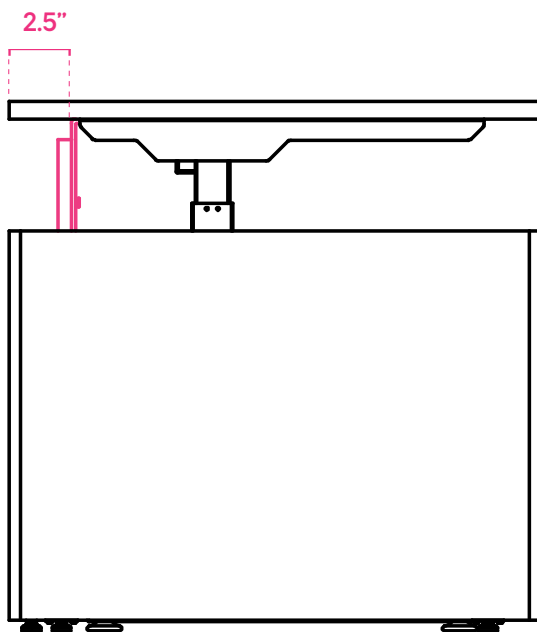
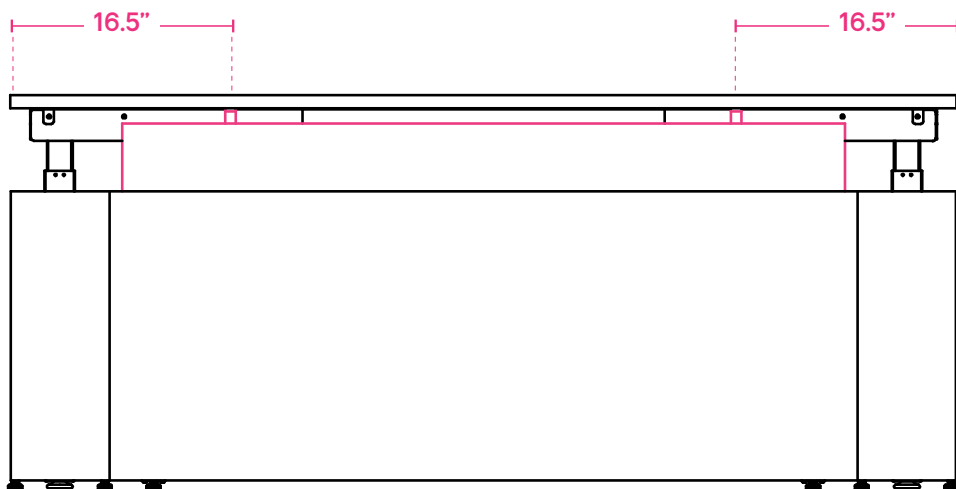
1 | Secure Brackets to Modesty Panel

Connect the L-bracket to the modesty panel using screws. Secure tightly.

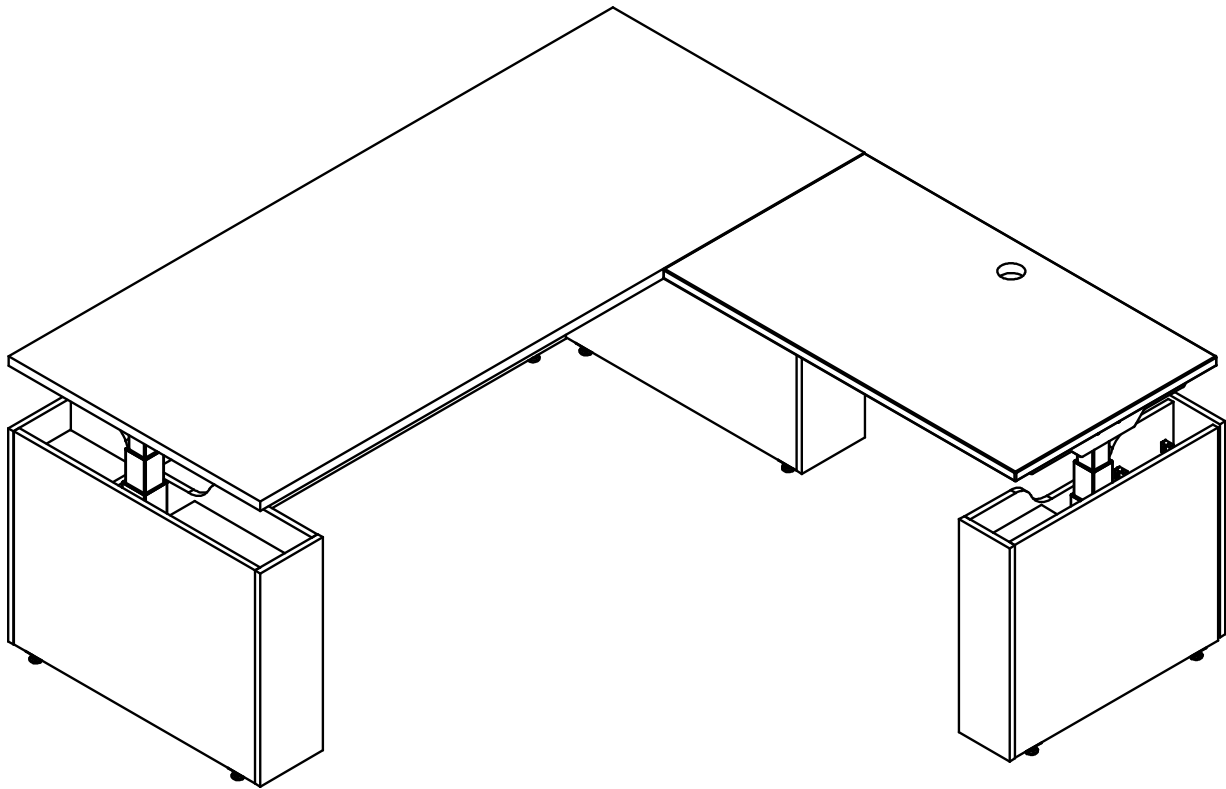


2 | Attach Modesty Panel to Surface

Attach modesty panel to surface using wood screws provided with brackets. Panel will be center aligned and inset 2.5" from back of surface to edge of bracket.



Side View



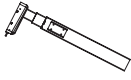
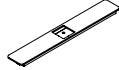

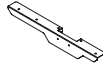
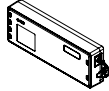


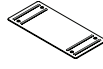
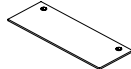

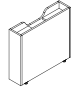

Return Surface

Overview

EDGE Height-Adjustable Desk

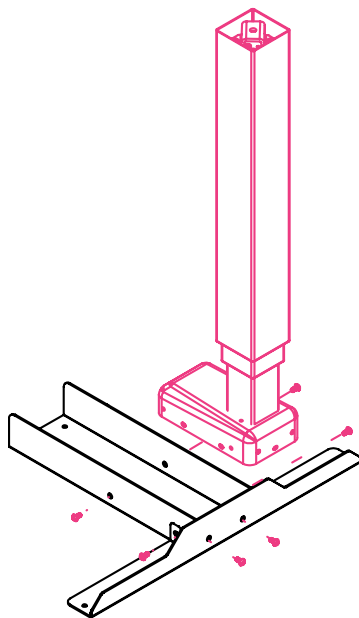
! Quantities are for a single EDGE Return Surface.
Parts may vary depending on project, but
install steps will remain the same.

Parts List

Code	Qty.	Description	
BPROLF	1	Adjustable Return Leg	
	1	T-Foot	
	1	Surface Attachment Bracket	
	1	Return Leg Support Bracket	
	1	Control Box L-Shape	
	1	Extended Cable	
	1	Cable	
	1	Large Flat Bracket	
GBXXXX	1	Return Surface	
BFB1	2	Small Flat Bracket	
ESHALC	1	Return-Leg Cover	
LLTB	1	Bracket	

1 | Connect Return Leg to Support Bracket

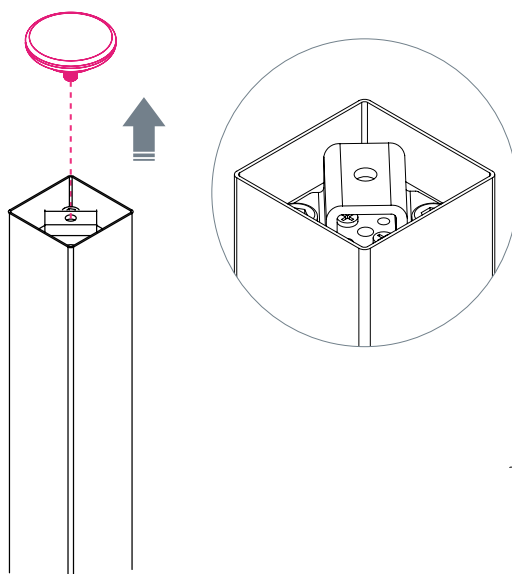
Secure return leg support bracket to return leg from using 6 screws.



2 | Remove Glide and Inner Bracket

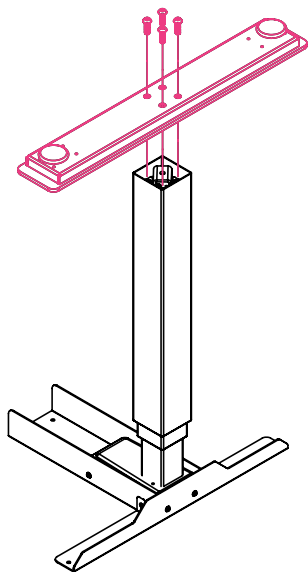
Twist off leg glide. Then, using an Allen wrench remove screws that are holding the inner bracket and remove bracket from leg.

Note: Glide and inner bracket must be removed so foot can be added to workstation.



3 | Measure and Adjust Beam Width

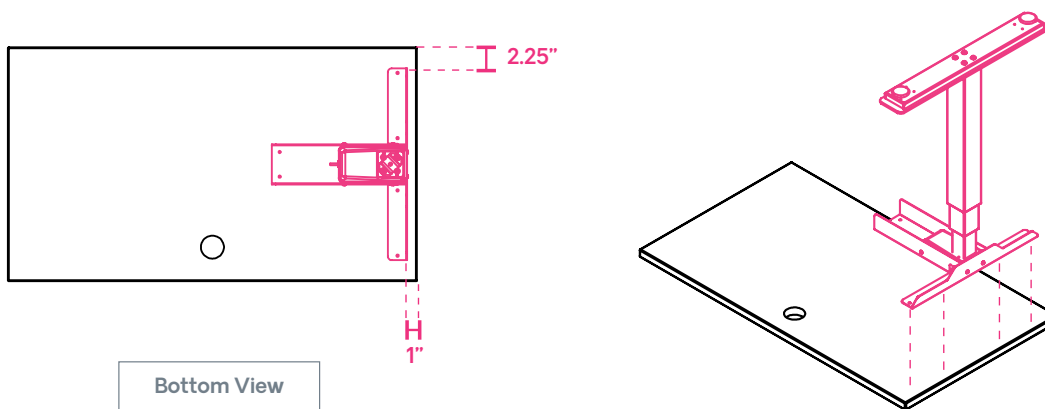
Secure T-foot to return leg using 4 screws.



4 | Secure Main Surface

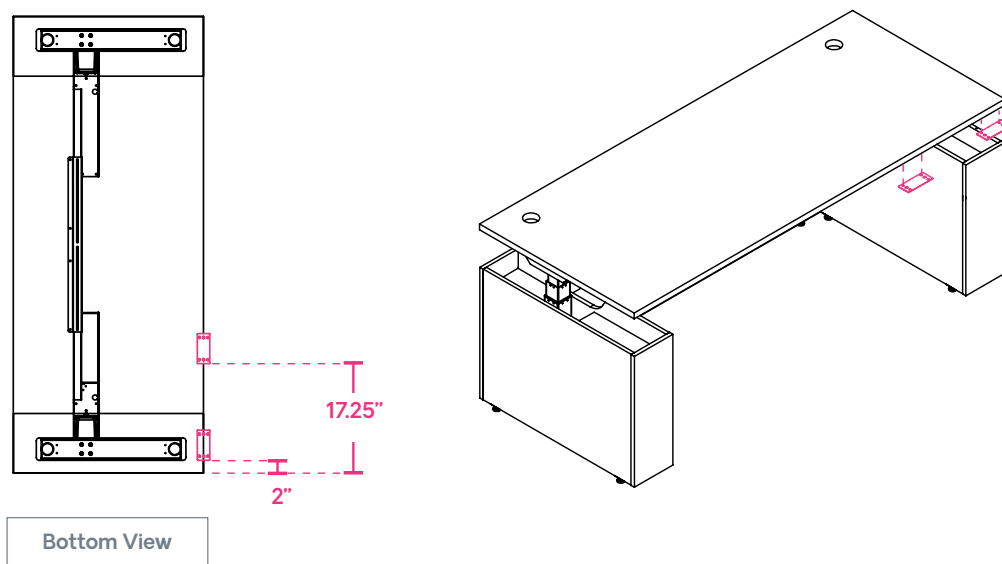
Requires 4 wood screws.

Note: The return leg will be centered along the depth of the return surface.



5 | Attach Flat Brackets to Main Surface

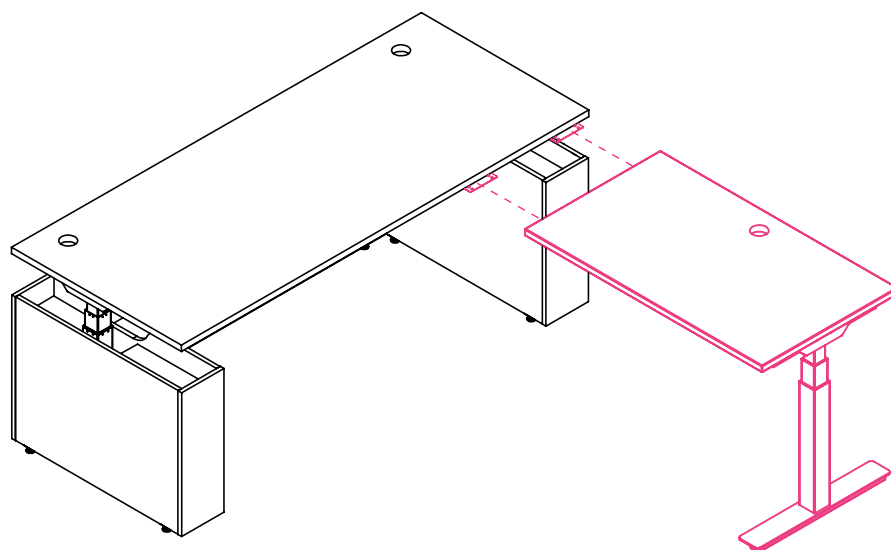
Attach 2 flat brackets under the main surface using 4 wood screws.
See measurements below.



6 | Attach Return Surface to Main Surface

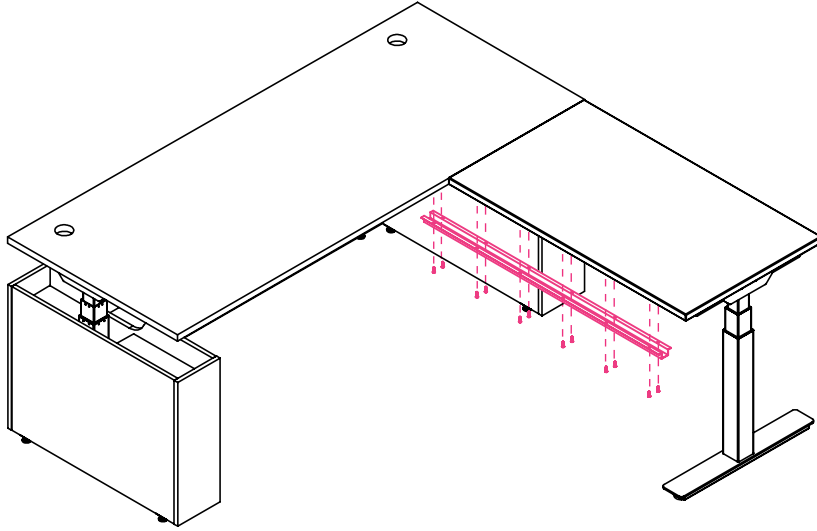
Position return surface on top of attached brackets and secure with 4 wood screws.

Note: The return leg will be centered along the depth of the return surface.



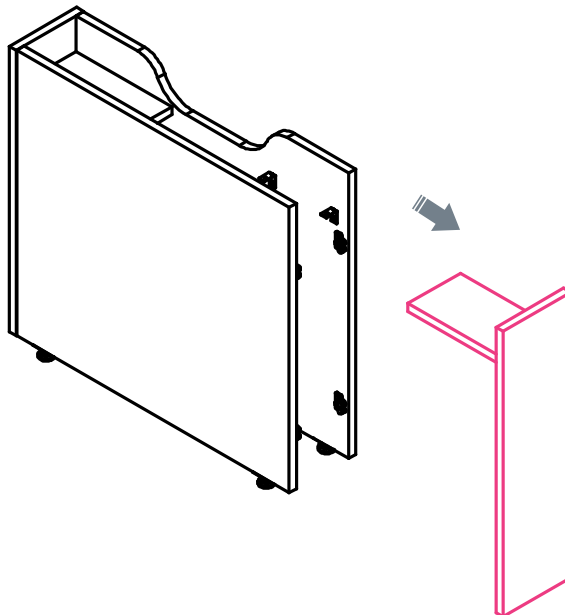
7 | Attach support bar

Center and secure support bar between flat brackets for extra support and rigidity.



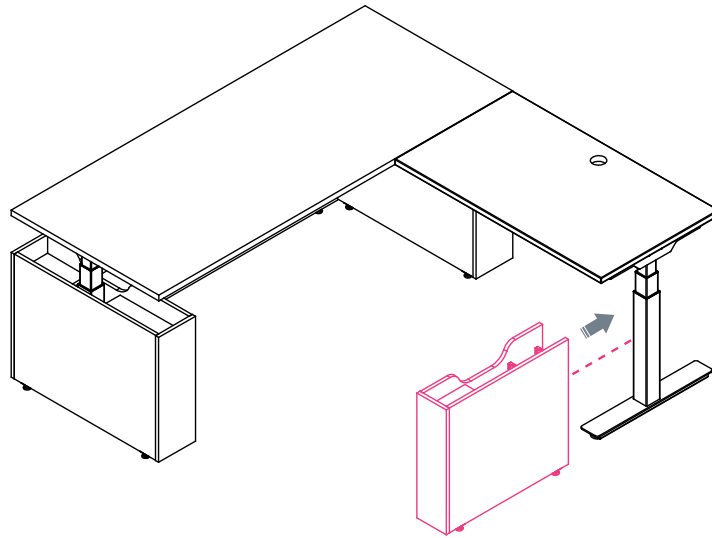
8 | Remove Back Panel From Return-Leg Cover

Slide out back panel from return-leg cover and set aside.



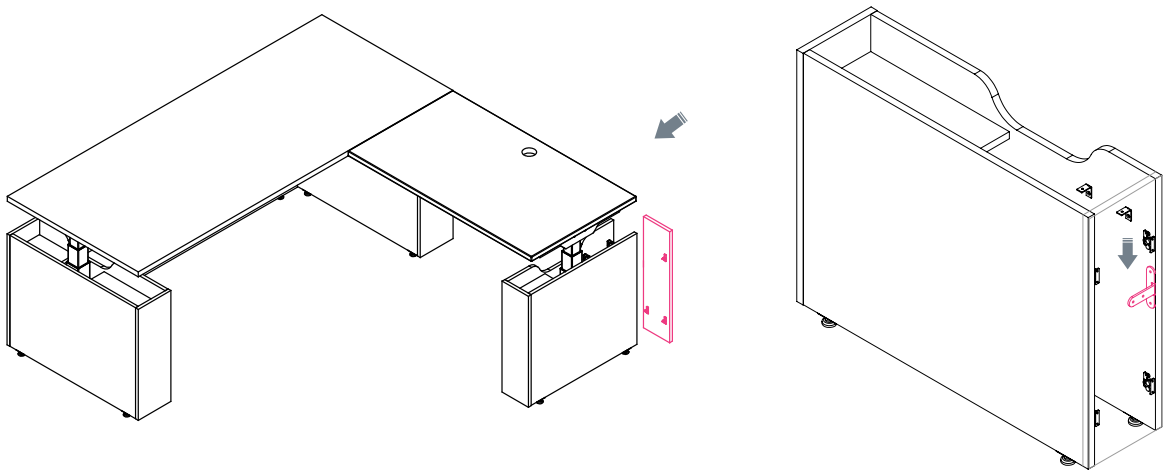
9 | Slide Return-Leg Cover Around Return Leg

Return-leg cover should align with sides of return surface, and front/back edge of return surface.



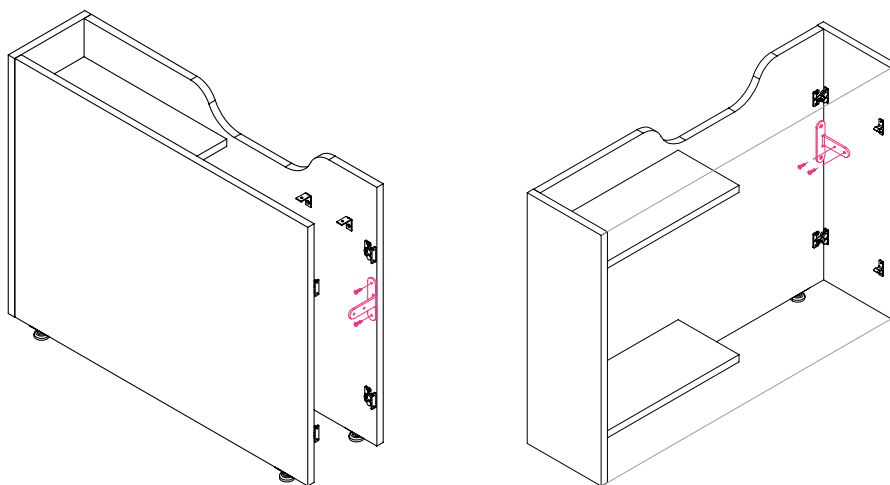
10 | Prep location for Leg Cover Brackets

With front panels in position, place short side of bracket against inner wall of leg cover, and long tab against inside of removable cover. With a marker, mark location of holes on inner wall of leg cover.



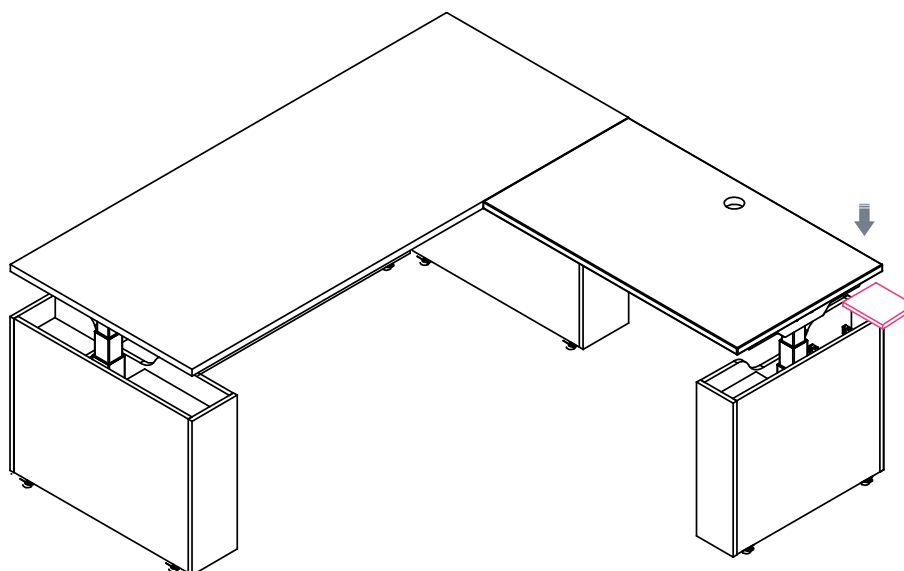
11 | Secure Brackets to Leg Covers

Attach the front removable panel and secure T-bracket to panel.



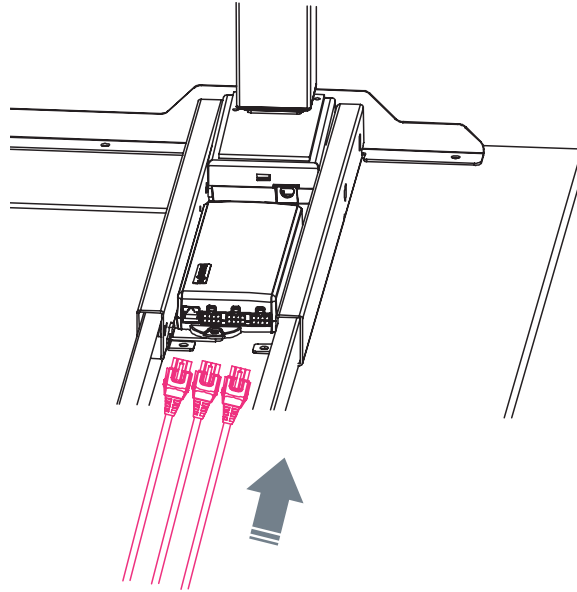
12 | Position Leg Cover Tops in Place

Set leg cover tops on small brackets inside leg covers.



13 | Install Return Control Box

Remove existing control box from main surface and replace with return control box. Secure with existing screws. Connect all three leg cables, handset, and power cable.



14 | Power Up and Initialize

Connect cord to power source then press and hold ^ and v simultaneously for 5 seconds until both leg columns are in lowest position. Desk will slightly rise, lower again, and then stop. Release buttons. The system is now operational.

