

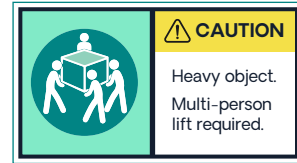
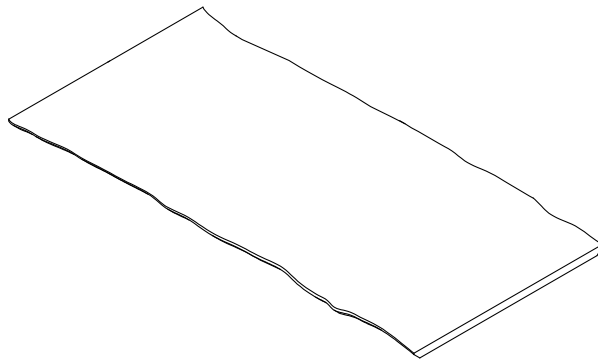
Sierra Surfaces

Solid Wood Slab Tables

General Installation Guide

Leg Installation

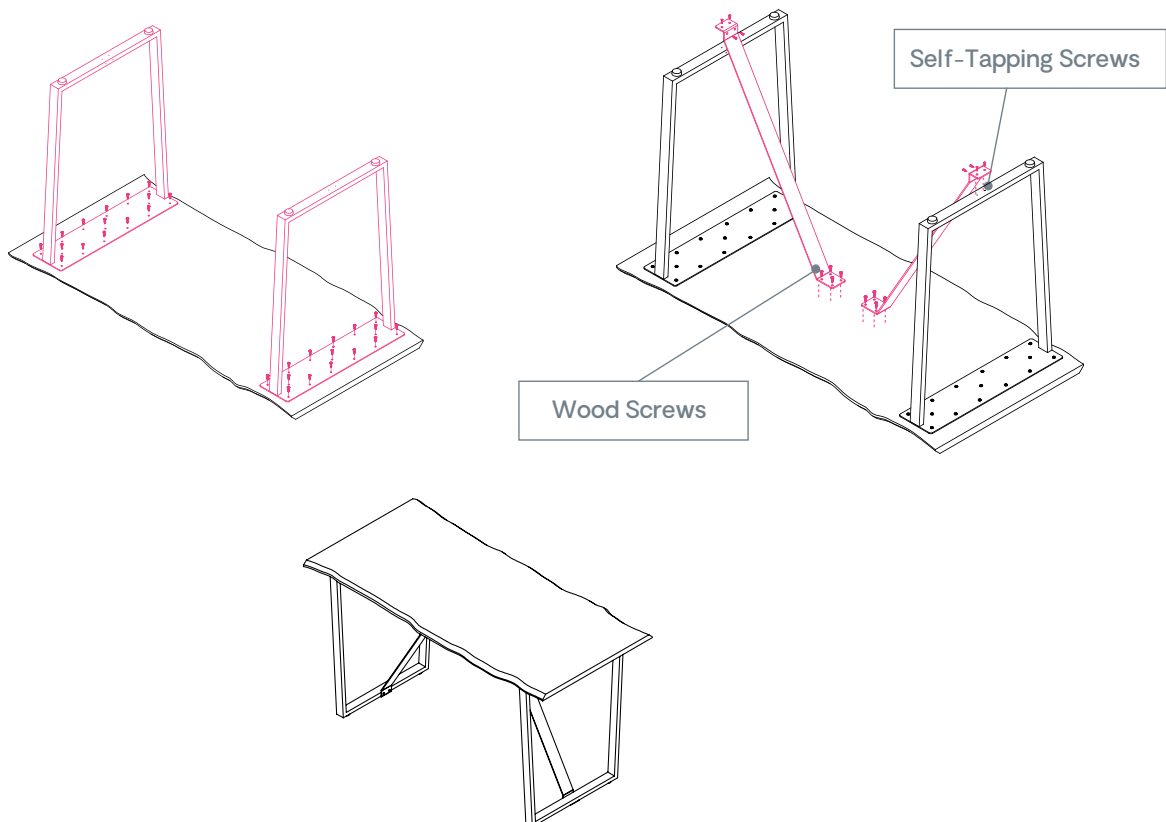
Place tabletop with bottom facing up on a soft surface to avoid scratching table.



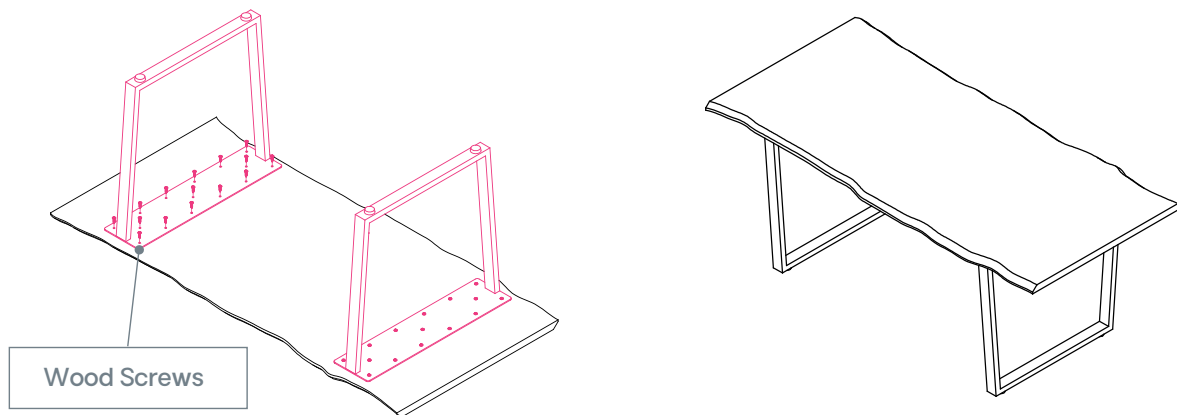
a) Standing-Height Angled Sleigh Legs with Support Braces

Align leg and brace pilot holes on surface to identify location of self-tapping screws for bottom of leg. Secure with provided hardware.

Note: Since each table is handcrafted uniquely, measurements may vary when aligning legs at center. Each leg should sit 6-12in. from head of table.

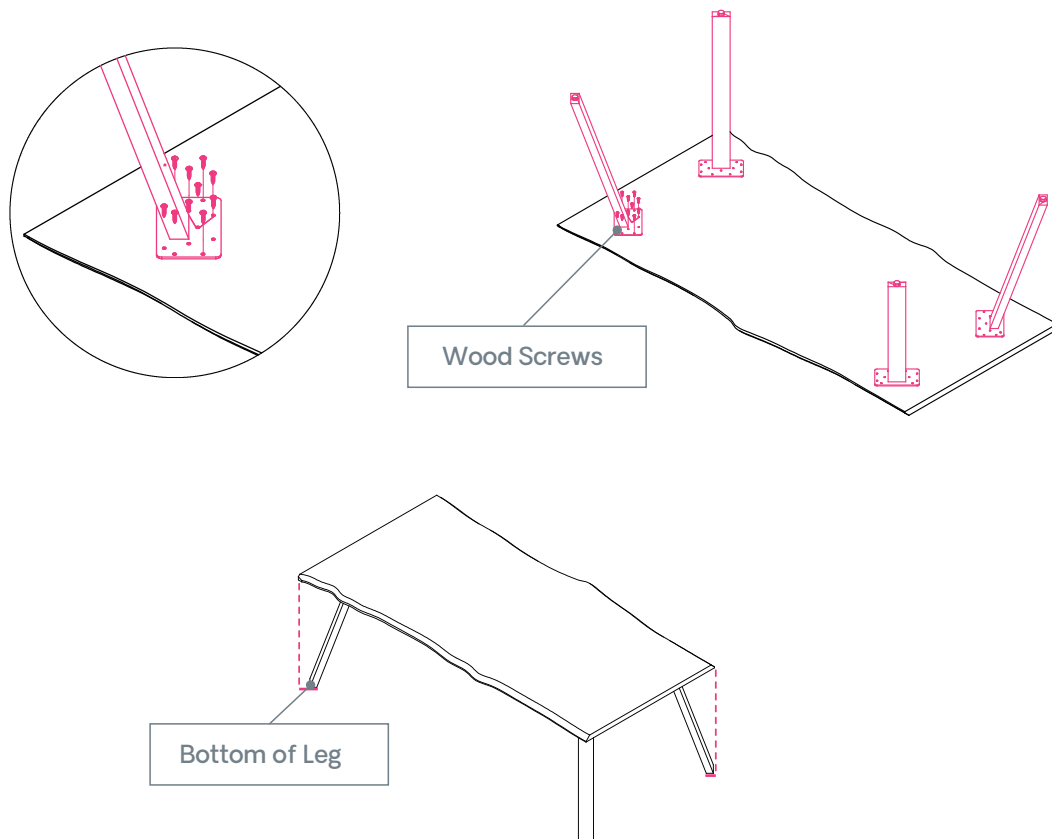


b | Seated-Height Angled Sleigh Legs



c | Angled Post Legs

Note: Bottom of each leg should sit inside of surface corner to avoid tripping hazard.



2-Piece Surface Installation

Place tabletops with bottoms facing up on a soft surface to avoid scratching table. Lay joining hardware into slotted areas and tighten bolts. Align legs and braces to surface. Secure with provided hardware.

Note: Since each table is handcrafted uniquely, measurements may vary when aligning legs at center. Each leg should sit 6-12in. from head of table. Quantity of joining hardware may vary depending on surface size.

