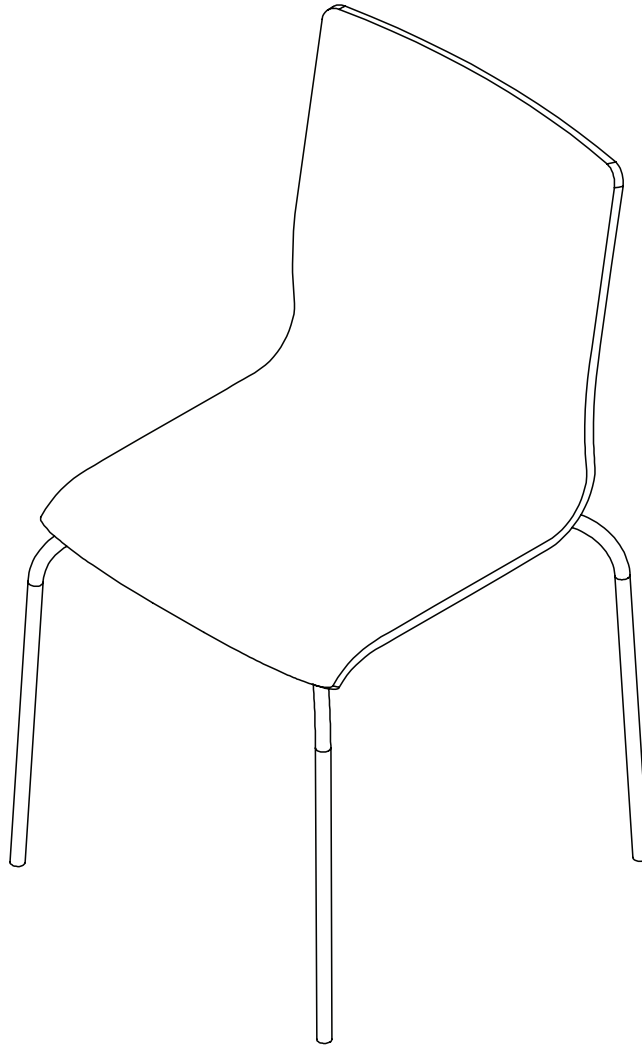


Contempo

Chair and Barstool


Edition Code

KFCHR.B :: Chair..... 1
KFBCH.B :: Barstool 7



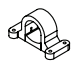



Chair Overview

Contempo Seating

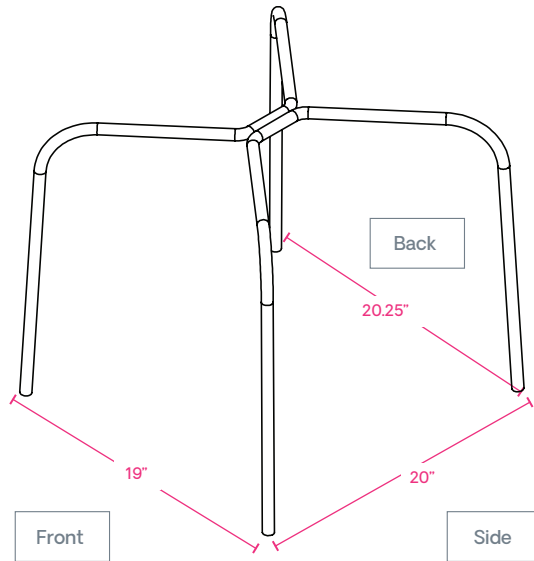
 All parts list are for a single chair, additional parts will be needed for additional chairs.

Parts List

Code	Qty.	Description	
KFBCHR.B	1	High-back Seat	
	1	Leg Frame	
	4	Mounting Hardware	
	16	Screws	

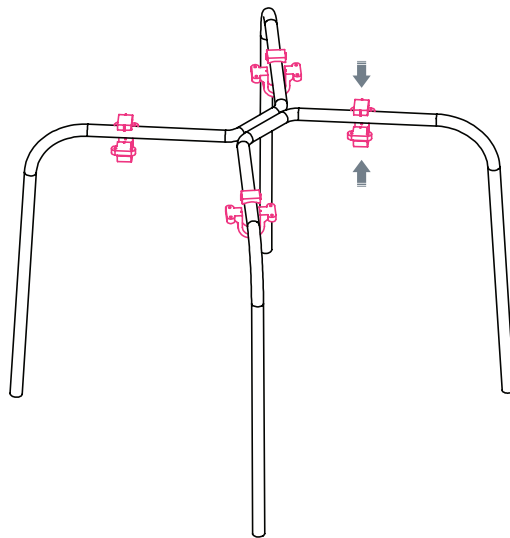
1 | Determine Front of Frame

Measure inside of leg widths to determine front of frame. Front will measure 19 inches from outside of legs.



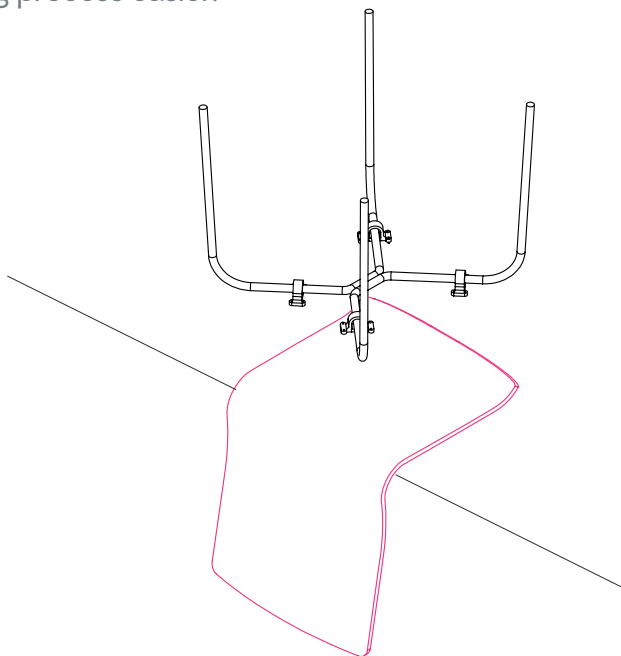
2 | Install Mounting Hardware

Bring two-piece mounting hardware closer to center of frame. Press mounting hardware together until pieces snap into place.

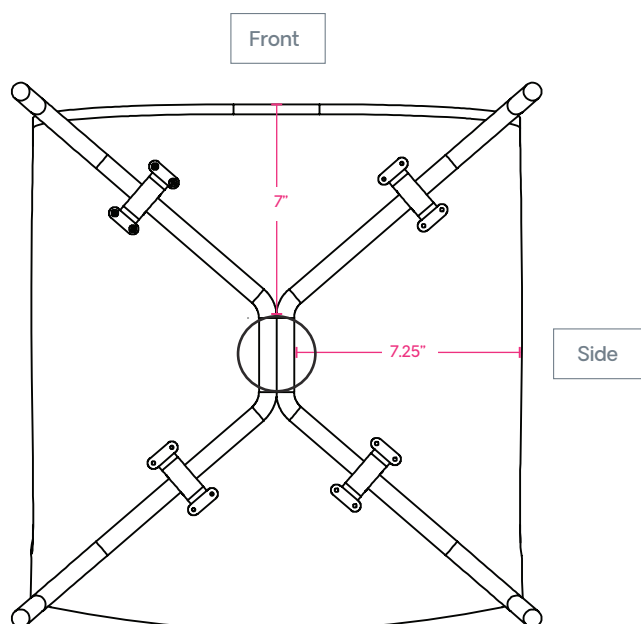


3 | Place Frame on Seat

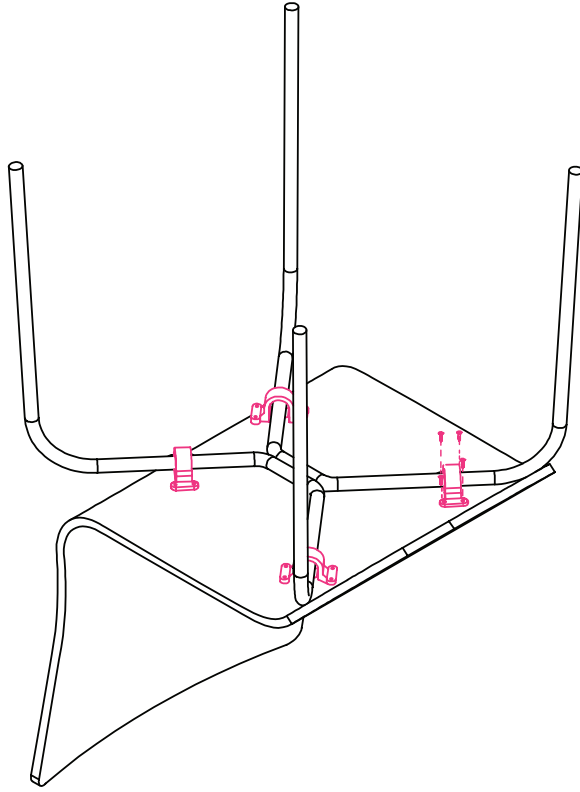
We recommend placing seat on a flat, sturdy surface edge to make mounting process easier.

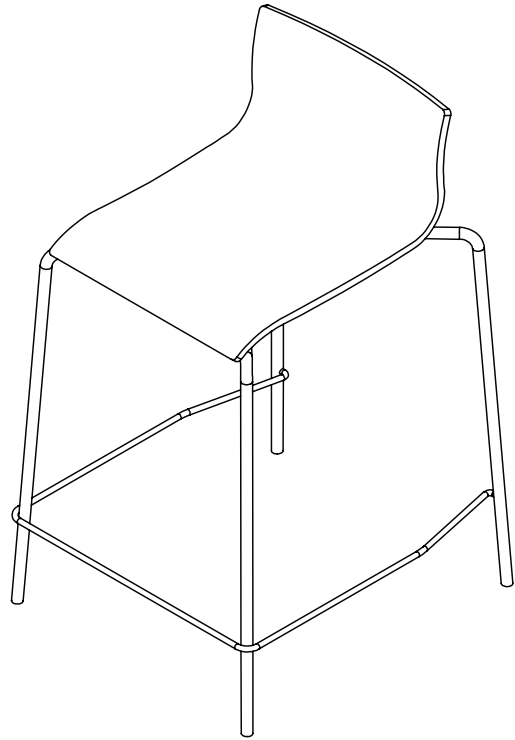
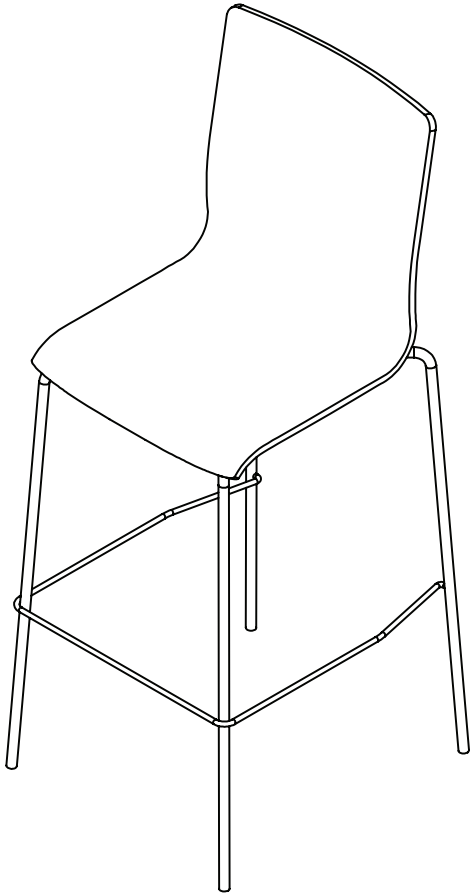


4 | Find Correct Frame Positioning



5 | Secure Frame to Seat with Screws







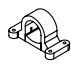

Barstool

Overview

Contempo Seating

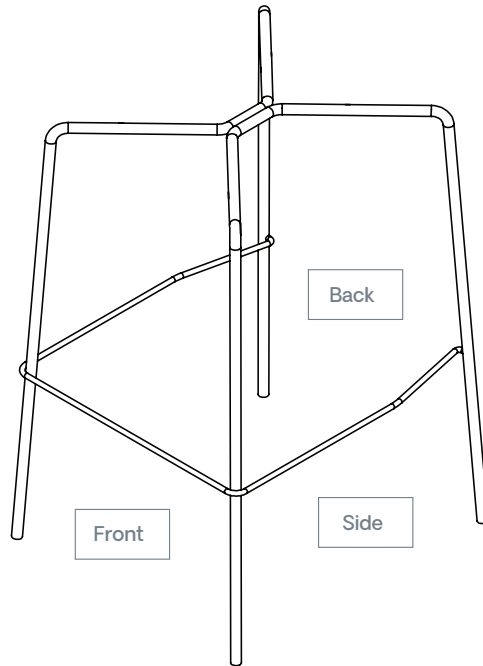
 All parts list are for a single stool, additional parts will be needed for additional stools.

Parts List

Code	Qty.	Description	
KFBCH.B	1	Seat (high back or low back)	
	1	Leg Frame	
	4	Mounting Hardware	
	16	Screws	

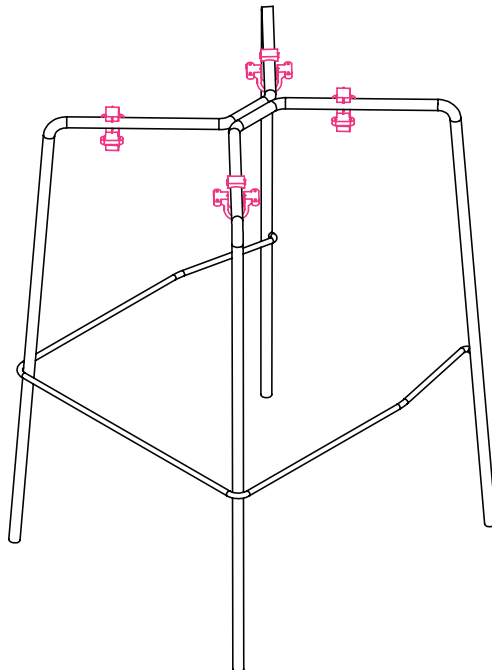
1 | Determine Front of Frame

Leg frame front and sides will have a footrest bar



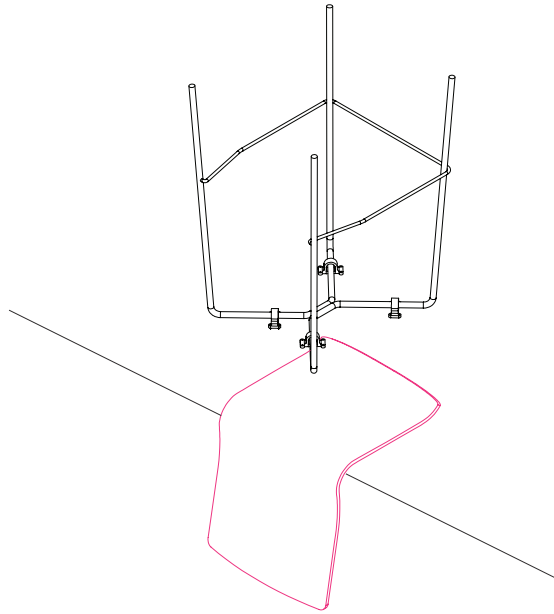
2 | Install Mounting Hardware

Bring two-piece mounting hardware closer to center of frame.
Press mounting hardware together until pieces snap in place.

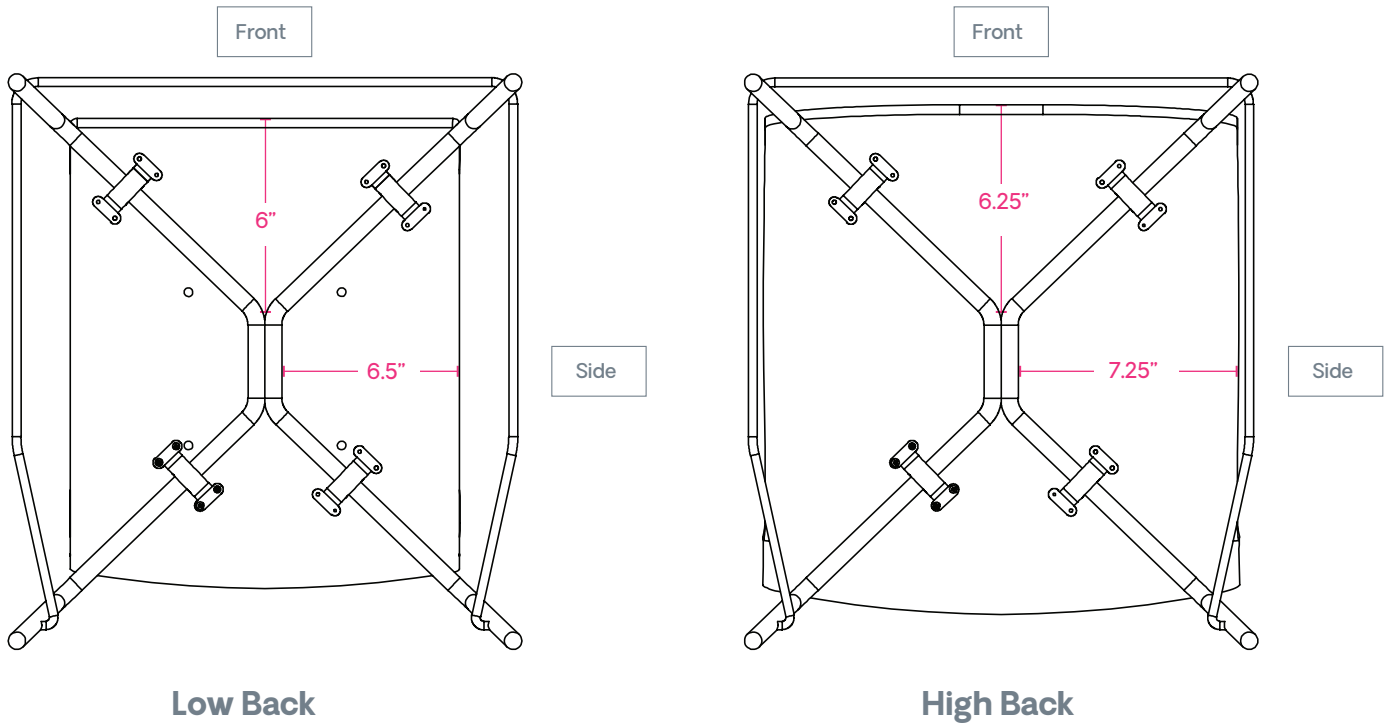


3 | Place Frame on Seat

We recommend placing seat on a flat, sturdy surface edge to make mounting process easier.



4 | Find Correct Position by Measuring



5 | Secure Frame to Seat with Screws

