

MW12 DECK MOUNTED MIXER

meir®



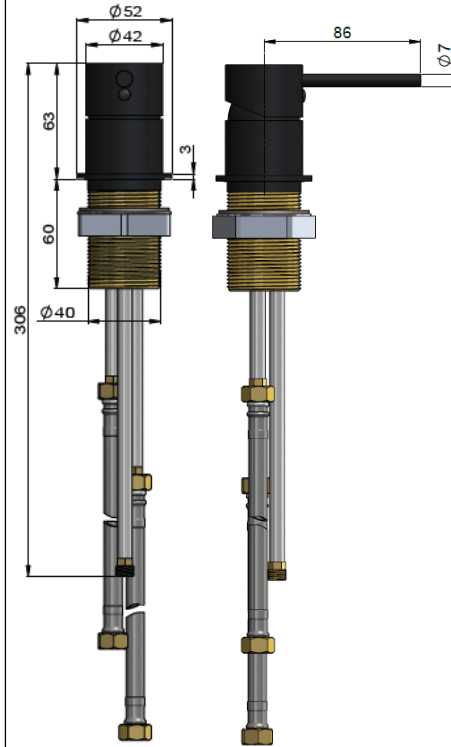
FEATURES

- 10 Year warranty
- Flow rate 27L p/m
- European components and cartridge
- Reinforced rubber seal and lining
- Solid brass construction
- Box Weight **XXKg**

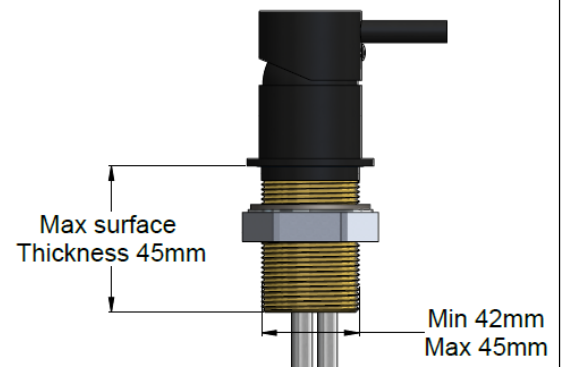
CARE

- Do not install tapware using any form of acetone silicones.
- Do not apply physical items (such as tools) directly to product.
- Never use house-hold or commercial detergents, citrus based cleaners, or abrasive cleaners.
- Clean using a mild washing soap solution rinsed, and dry with a soft cloth.
- Check for any product defects before installation.
- Refer to the installation manual for correct installation.

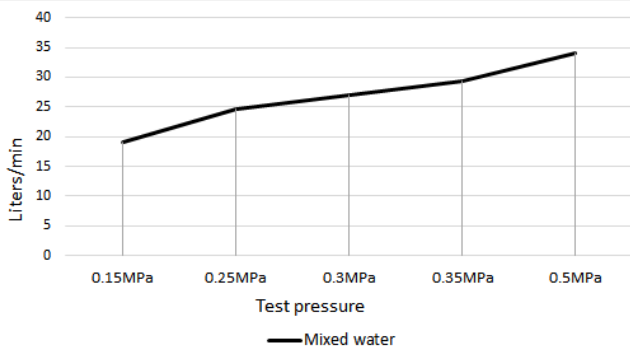
SPECIFICATIONS



TOLERANCES



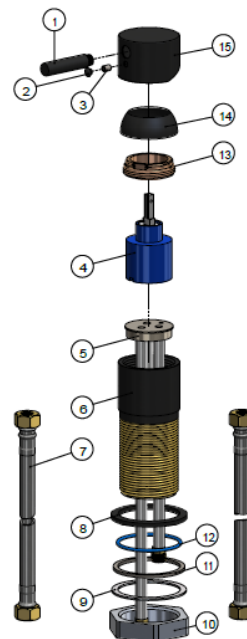
FLOW RATE GRAPH



CREDENTIALS

- Watermark AS/NZS 3718WMKA25013

EXPLODED VIEW



No.	Part Name	Qty.
1	Pin Lever	1
2	Screw cover	1
3	Screw	1
4	D35 Cartridge	1
5	Cartridge Base	1
6	Body	1
7	Inlet Water Hose	2
8	Base	1
9	Washer	1
10	Nut	1
11	O-ring	1
12	O-ring	1
13	Nut	1
14	Decor Cover	1
15	Handle	1