

TEXAN SERIES ODK COMPONENTS

PRODUCT

16" Double Drawer

Item No. TEX-16DD

DESCRIPTION

16" Texan Series Extra-Large Double Drawer

PRODUCT DIMENSIONS

Product Size: 16-1/4" WIDTH x 20-1/2" HEIGHT x 21" DEPTH
Cut-Out Size: 14-1/2" WIDTH x 19" HEIGHT x 21-1/2" DEPTH

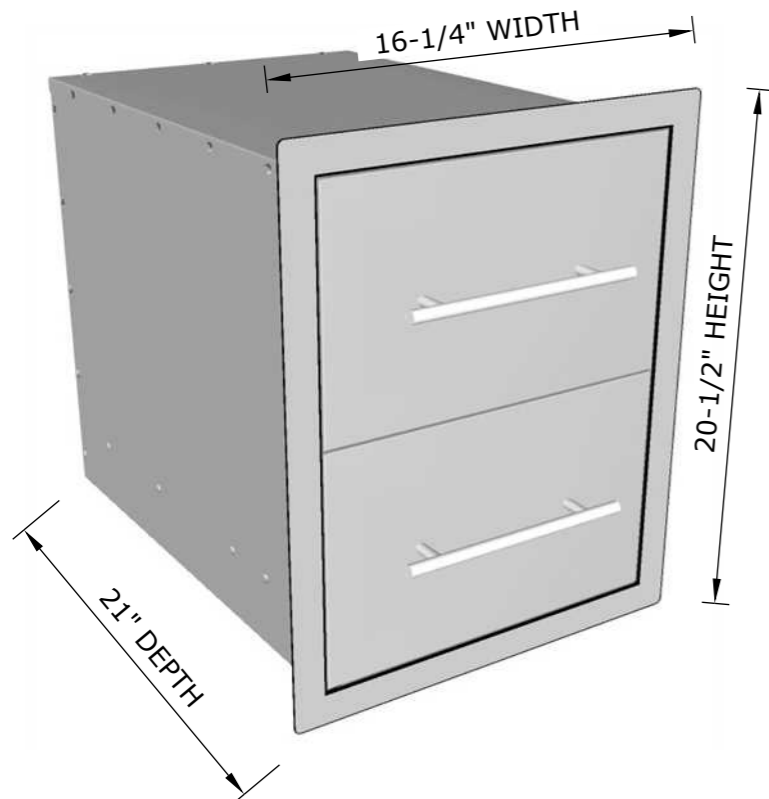
SPECIFICATIONS

304 Stainless Steel Construction Frame, Drawers, Galvanized Cabinet Box (Not Exposed to Elements) 304 SS Rod Handle

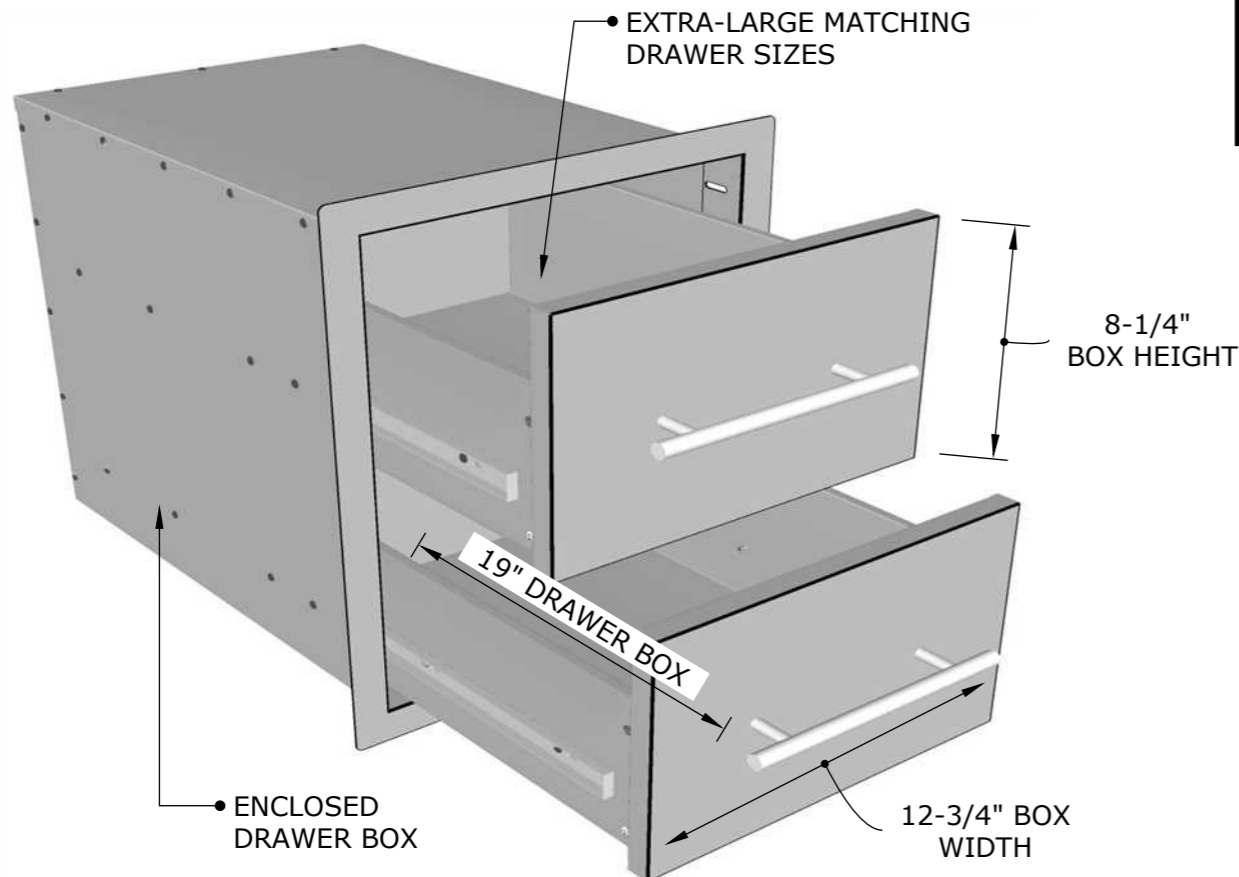
WARRANTY

- EXTERIOR FINISH -----3 YEARS
- STRUCTURE -----3 YEARS
- HANDLE-----1 YEAR

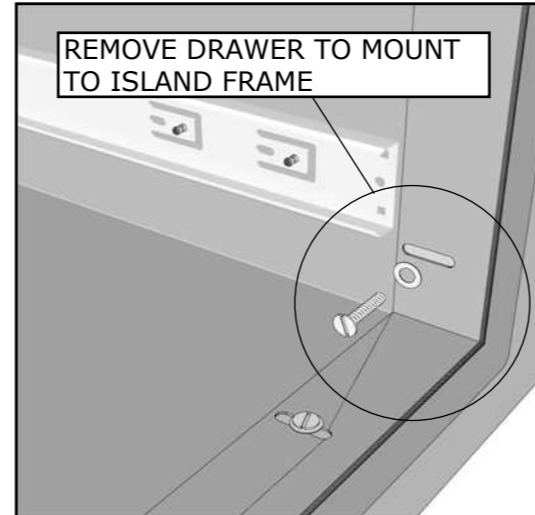
Product Dimensions



Product Features



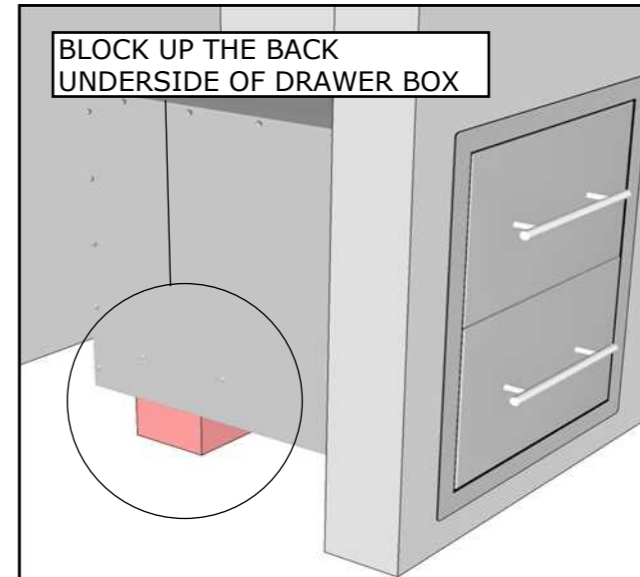
Mounting Holes



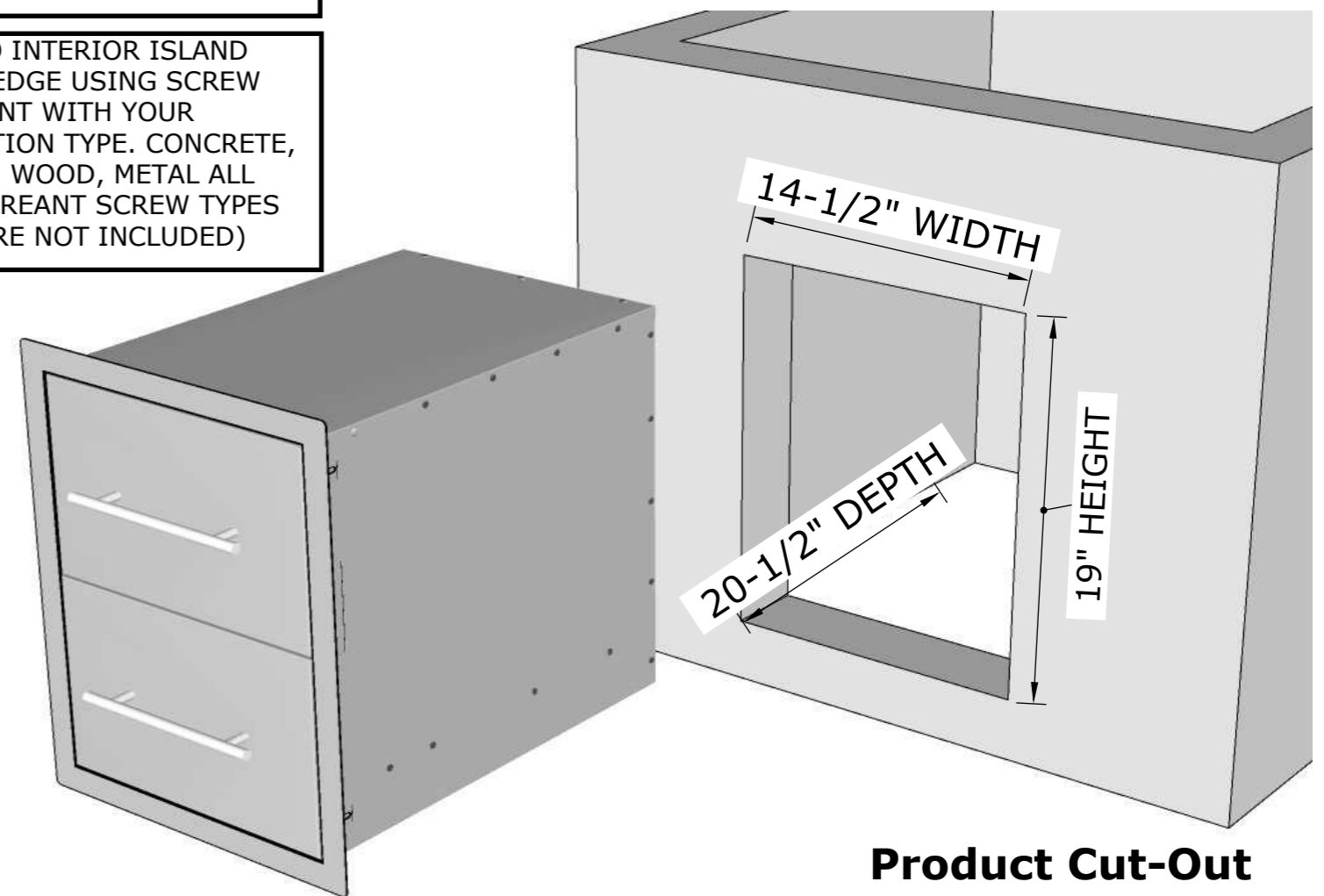
HAVE COMPONENT ON SITE BEFORE MAKING ISLAND CUTS, CONFIRM ALL DIMENSIONS BEFORE CUTTING INTO ISLAND WALL

MOUNT TO INTERIOR ISLAND CUT-OUT EDGE USING SCREW CONSISTENT WITH YOUR INSTALLATION TYPE. CONCRETE, MASONRY, WOOD, METAL ALL USE DIFFERENT SCREW TYPES (HARDWARE NOT INCLUDED)

Drawer Box Support



ISLAND WALL CUT-OUT SIZE:
14-1/2" WIDTH x 19" HEIGHT x 21-1/2" DEPTH



Product Cut-Out