

TEXAN SERIES ODK COMPONENTS

PRODUCT

30" Triple Drawer Door Combo

Item No. TEX-30TDDC

DESCRIPTION

30" Texan Series Triple Drawer Door Combo

PRODUCT DIMENSIONS

Product Size: 30" WIDTH x 20-1/2" HEIGHT x 20" DEPTH

Cut-Out Size: 28-1/8" WIDTH x 19" HEIGHT x 20-1/2" DEPTH

SPECIFICATIONS

304 Stainless Steel Construction Frame, Door & Drawers, Galvanized Cabinet Box (Not Exposed to Elements)

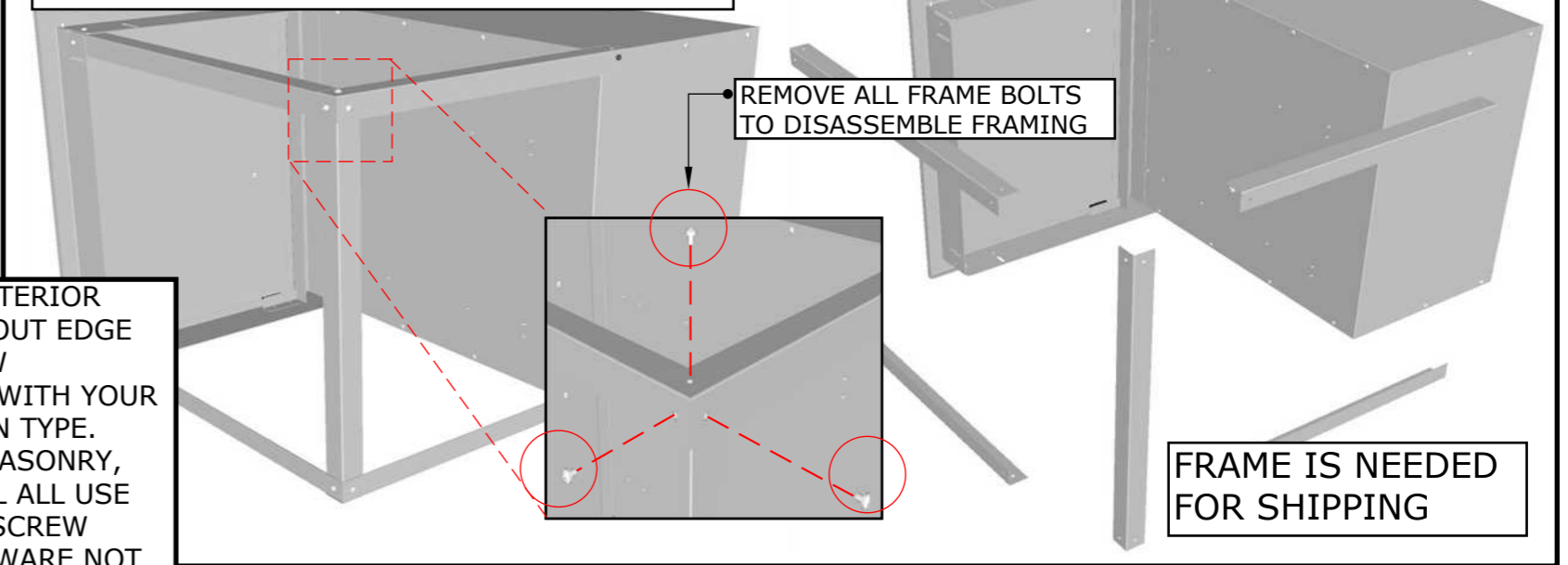
WARRANTY

- EXTERIOR FINISH -----3 YEARS
- STRUCTURE -----3 YEARS
- HANDLE-----1 YEAR

Product Dimensions



DISASSEMBLE INTERIOR FRAMING FOR CLEAR ISLAND ACCESS

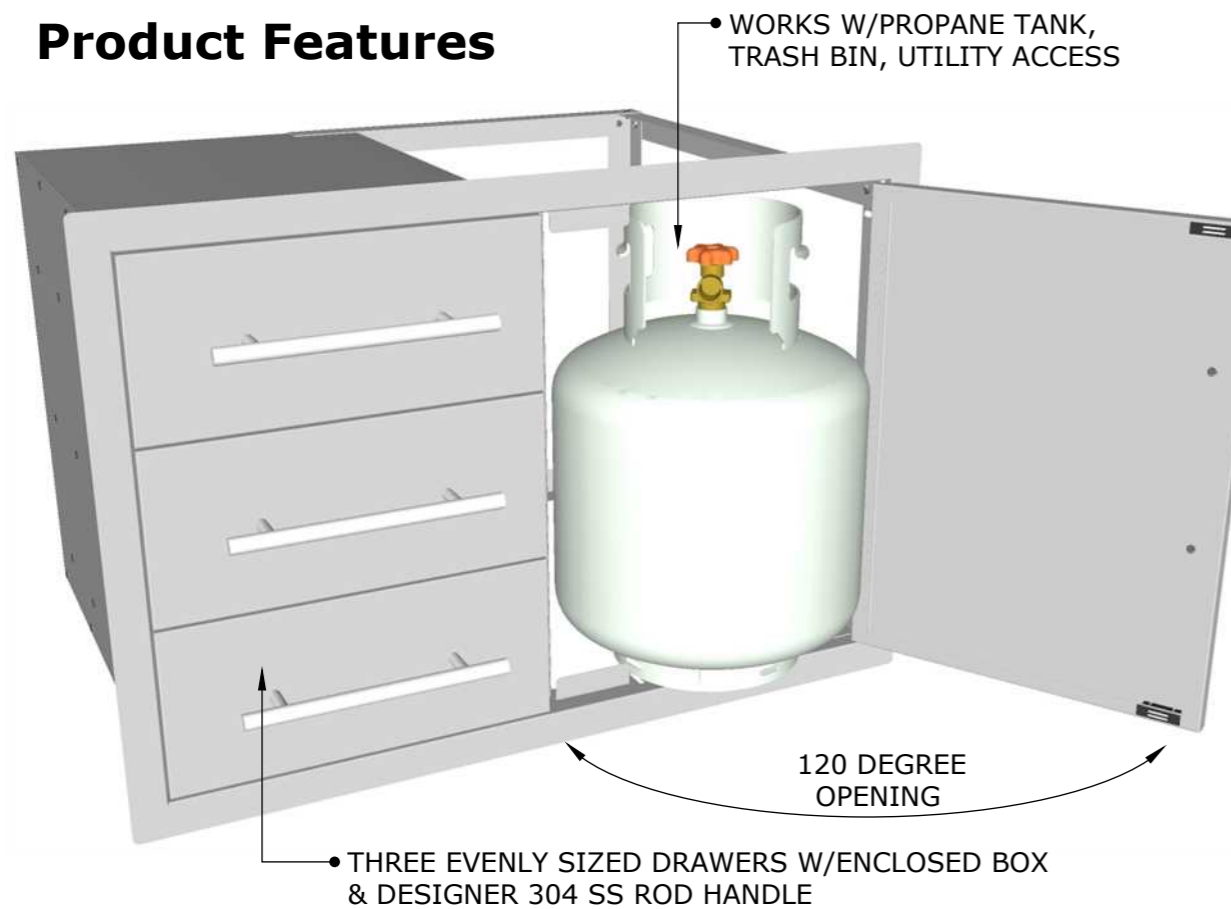


REMOVE ALL FRAME BOLTS TO DISASSEMBLE FRAMING

MOUNT TO INTERIOR ISLAND CUT-OUT EDGE USING SCREW CONSISTENT WITH YOUR INSTALLATION TYPE. CONCRETE, MASONRY, WOOD, METAL ALL USE DIFFERANT SCREW TYPES (HARDWARE NOT INCLUDED)

FRAME IS NEEDED FOR SHIPPING

Product Features

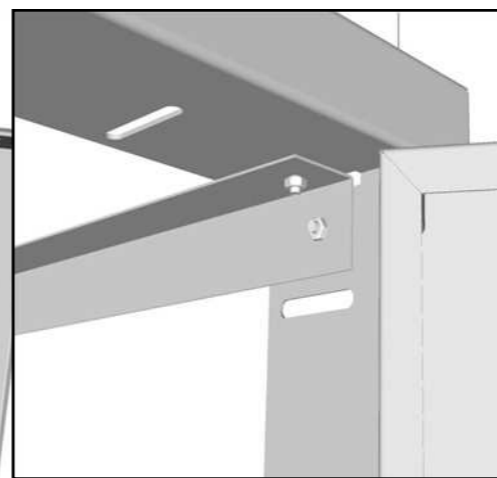


WORKS W/PROPANE TANK, TRASH BIN, UTILITY ACCESS

120 DEGREE OPENING

THREE EVENLY SIZED DRAWERS W/ENCLOSED BOX & DESIGNER 304 SS ROD HANDLE

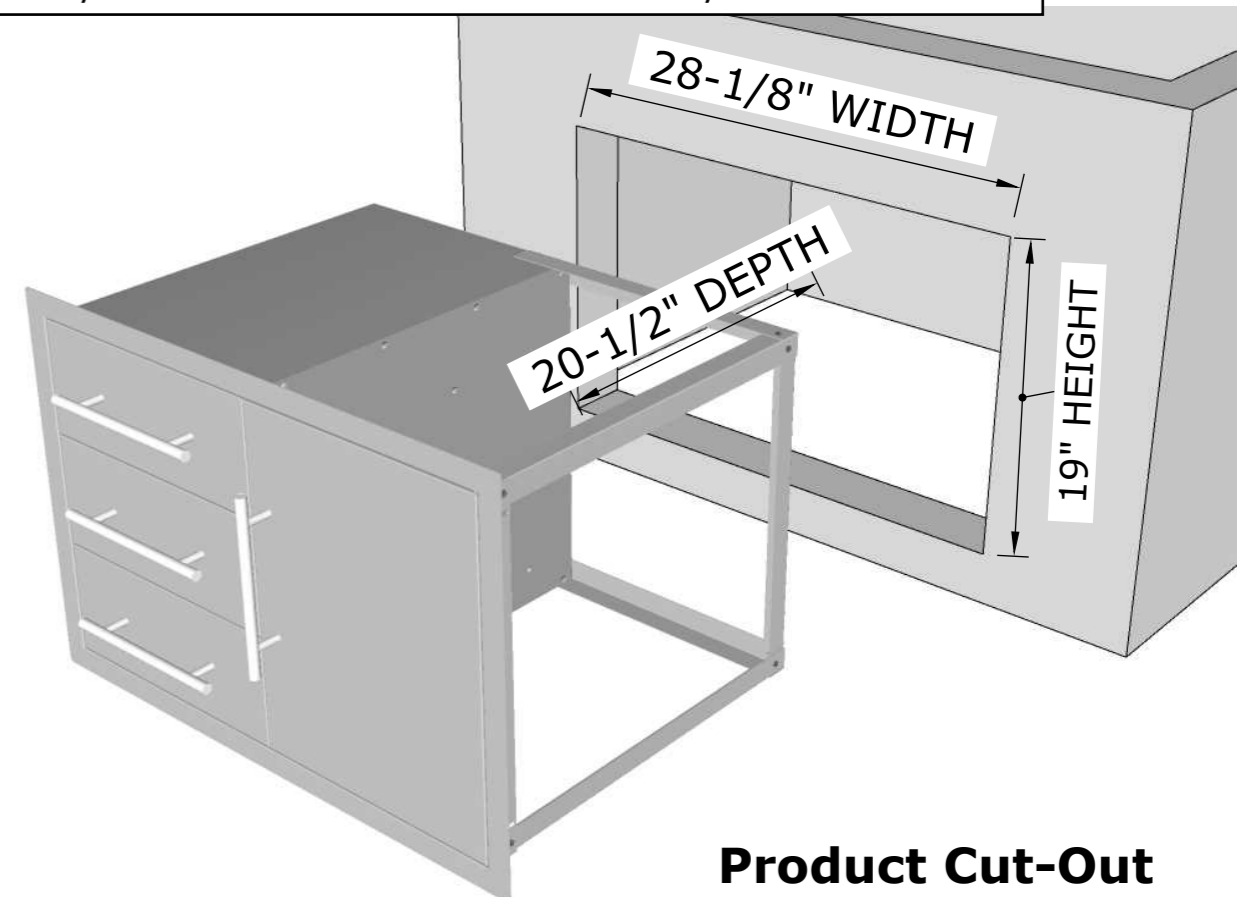
Mounting Holes



OPEN SLOTS ALLOW FOR EASY INSTALLATION

HAVE COMPONENT ON SITE BEFORE MAKING ISLAND CUTS, CONFIRM ALL DIMENSIONS BEFORE CUTTING INTO ISLAND WALL

ISLAND WALL CUT-OUT SIZE:
28-1/8" WIDTH x 19" HEIGHT x 20-1/2" DEPTH



Product Cut-Out