

# TEXAN SERIES INSULATED ICE CHEST

**PRODUCT**  
15" Insulated Ice Chest  
  
**Item No.** TEX-15IC

**DESCRIPTION**  
15" Texan Series Over/Under  
Insulated Ice Chest w/Chest  
Cover

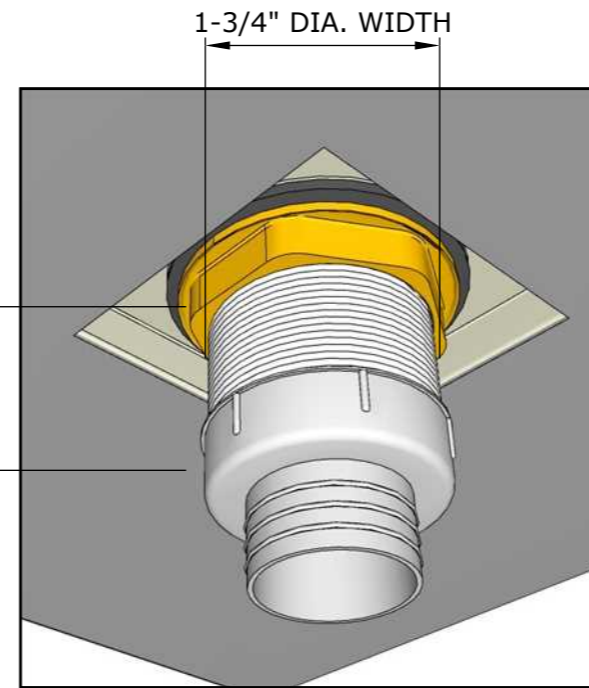
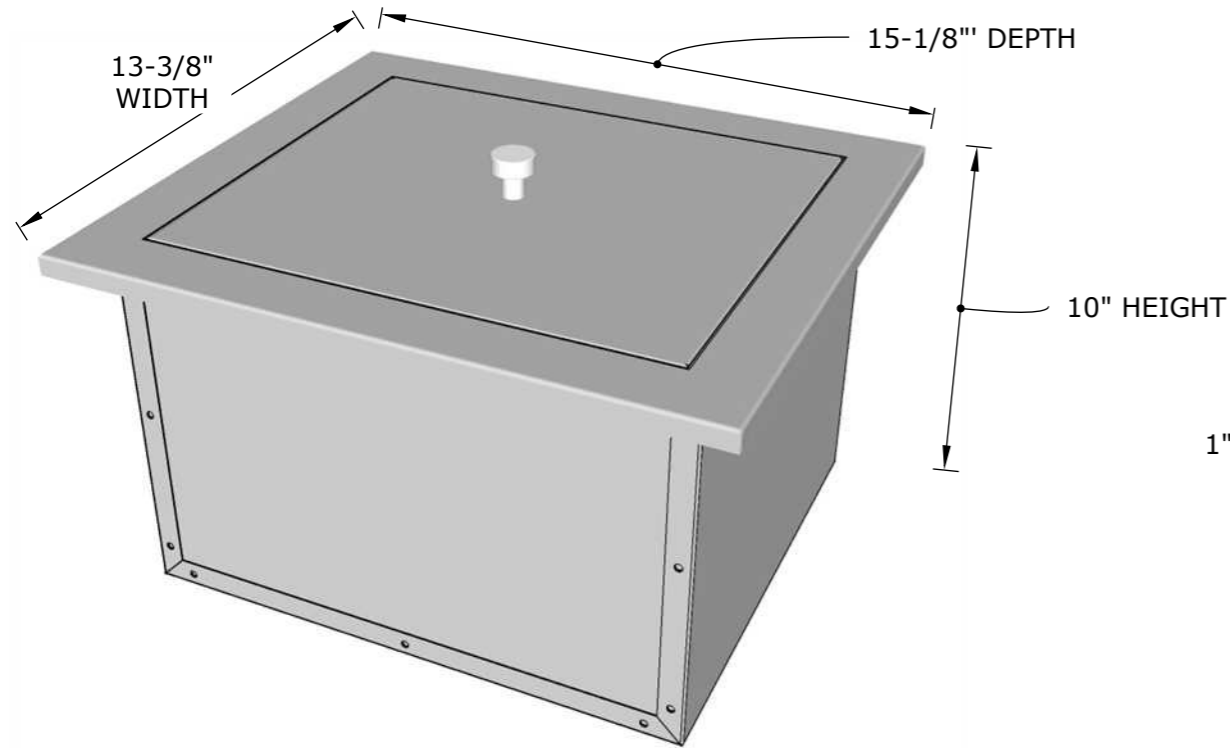
**PRODUCT DIMENSIONS**  
**Product Size:** 13-3/8" WIDTH x  
10" HEIGHT x 15-1/8" DEPTH  
**Cut-Out Size:** 12-5/8" WIDTH x  
10" HEIGHT x 13-5/8" DEPTH

**SPECIFICATIONS**  
304 Stainless Steel. Outer  
Underside is 201. 16 Gauge  
Frame, 20 Gauge Basin. 22  
Gauge Lid

**WARRANTY**

- EXTERIOR FINISH -----3 YEARS
- STRUCTURE -----3 YEARS
- HANDLE-----1 YEAR
- DRAIN-----1 YEAR

## Product Dimensions



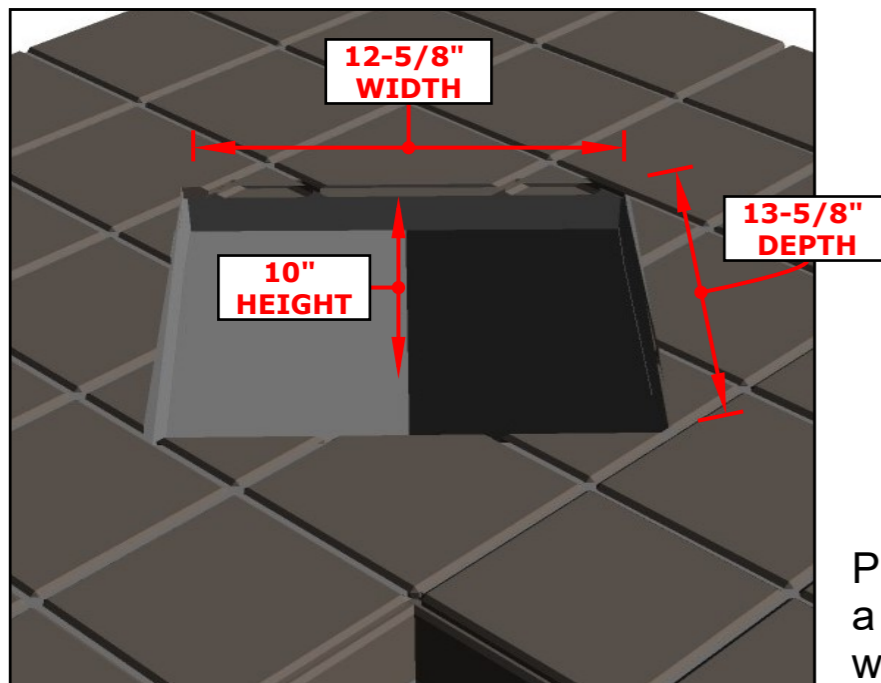
## SPECIFICATIONS

PARTS LIST	ITEM NUMBER	#
ICE CHEST DRAIN	P-SDRAIN	1
MOUNTING CLIPS	P-SS17CLIP	4

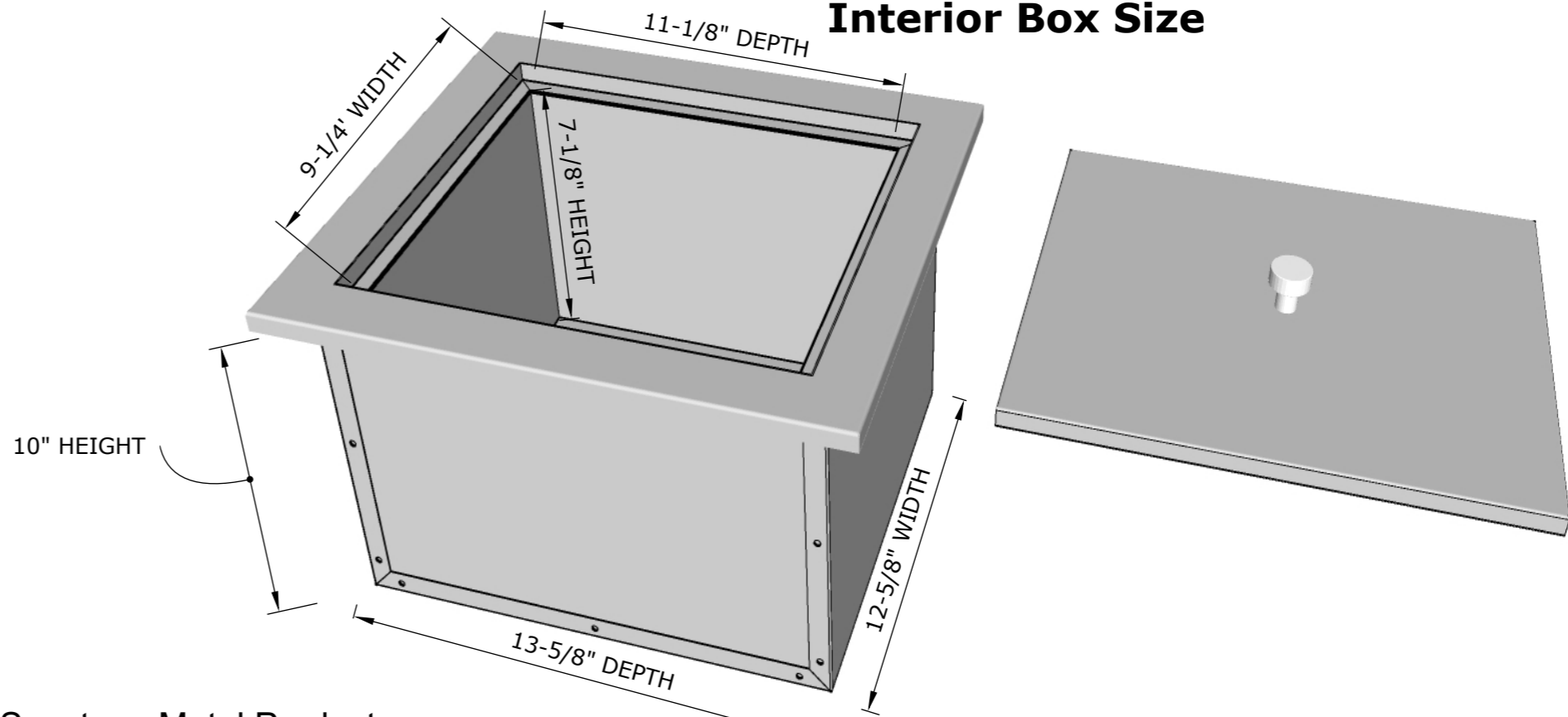
OTHER SPECS	DIMENSIONS
INTERIOR BOX SIZE	9-1/4" W x 11-1/8" D x 7-1/8" H
DRAIN STEM SIZE	1-3/4" DIA. PIPE

## Product Features

## CUT-OUT ILLUSTRATION



## Interior Box Size



## Product Cut-Out

Produced by Sunstone Metal Products,  
a Proud Texas Company see more at:  
[www.sunstonemp.com/texanseries.html](http://www.sunstonemp.com/texanseries.html)