

TEXAN SERIES BAR SINK

PRODUCT
15" Bar Sink w/Faucet & Kitchen Size Drain
Item No. TEX-15SK

DESCRIPTION
15" Texan Series Drop-In Bar Sink w/Cold Water Faucet & Kitchen Sized Drain with Sink Basin Cover

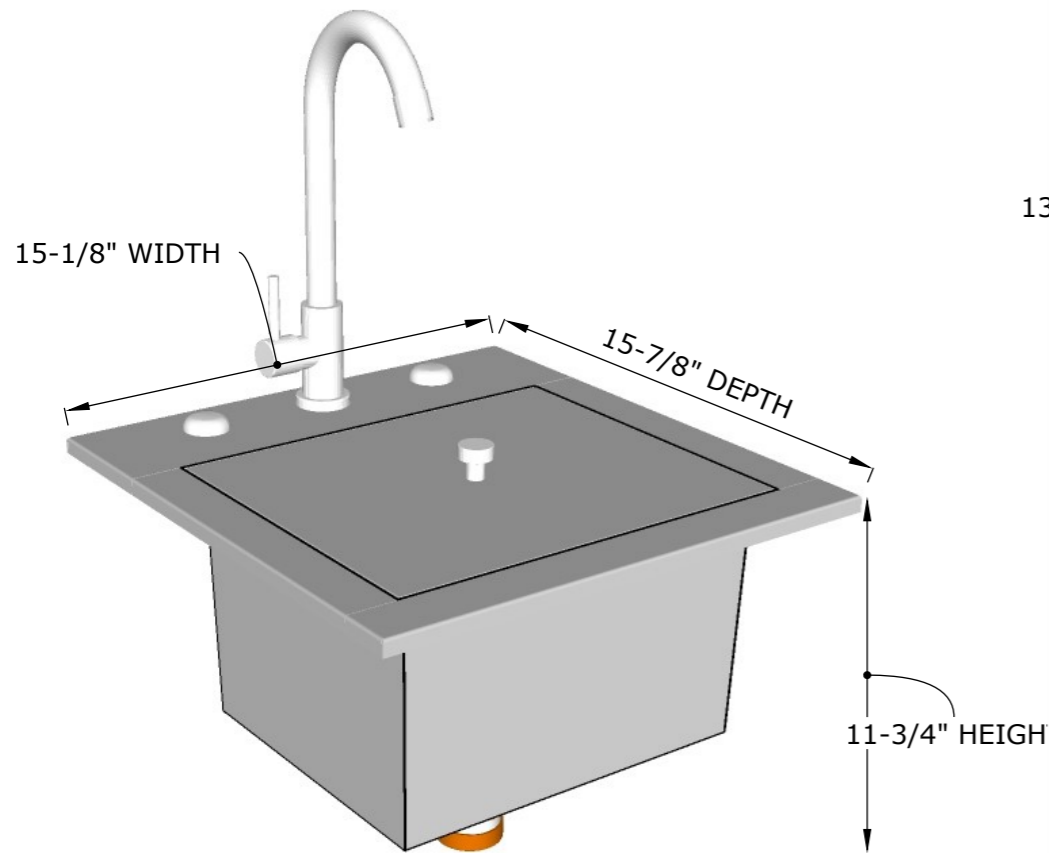
PRODUCT DIMENSIONS
Product Size: 15-1/8" WIDTH x 11-3/4" HEIGHT x 15-7/8" DEPTH
Cut-Out Size: 13-3/4" WIDTH x 11-3/4" HEIGHT x 14" DEPTH

SPECIFICATIONS
304 Stainless Steel. Outer Underside is 201. 16 Gauge Frame, 20 Gauge Basin. 22 Gauge Lid

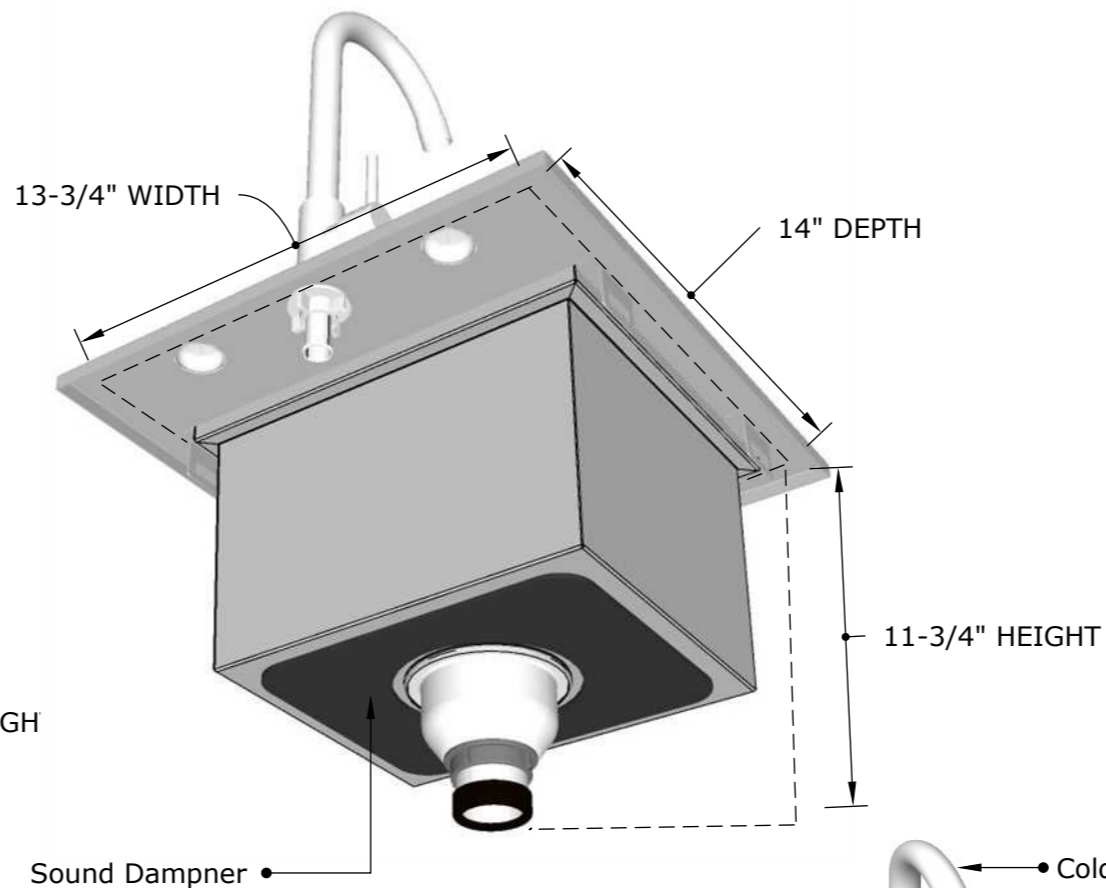
WARRANTY

- EXTERIOR FINISH -----3 YEARS
- STRUCTURE -----3 YEARS
- HANDLE-----1 YEAR
- FAUCET-----1 YEAR

Product Dimensions



Product Cut-Out



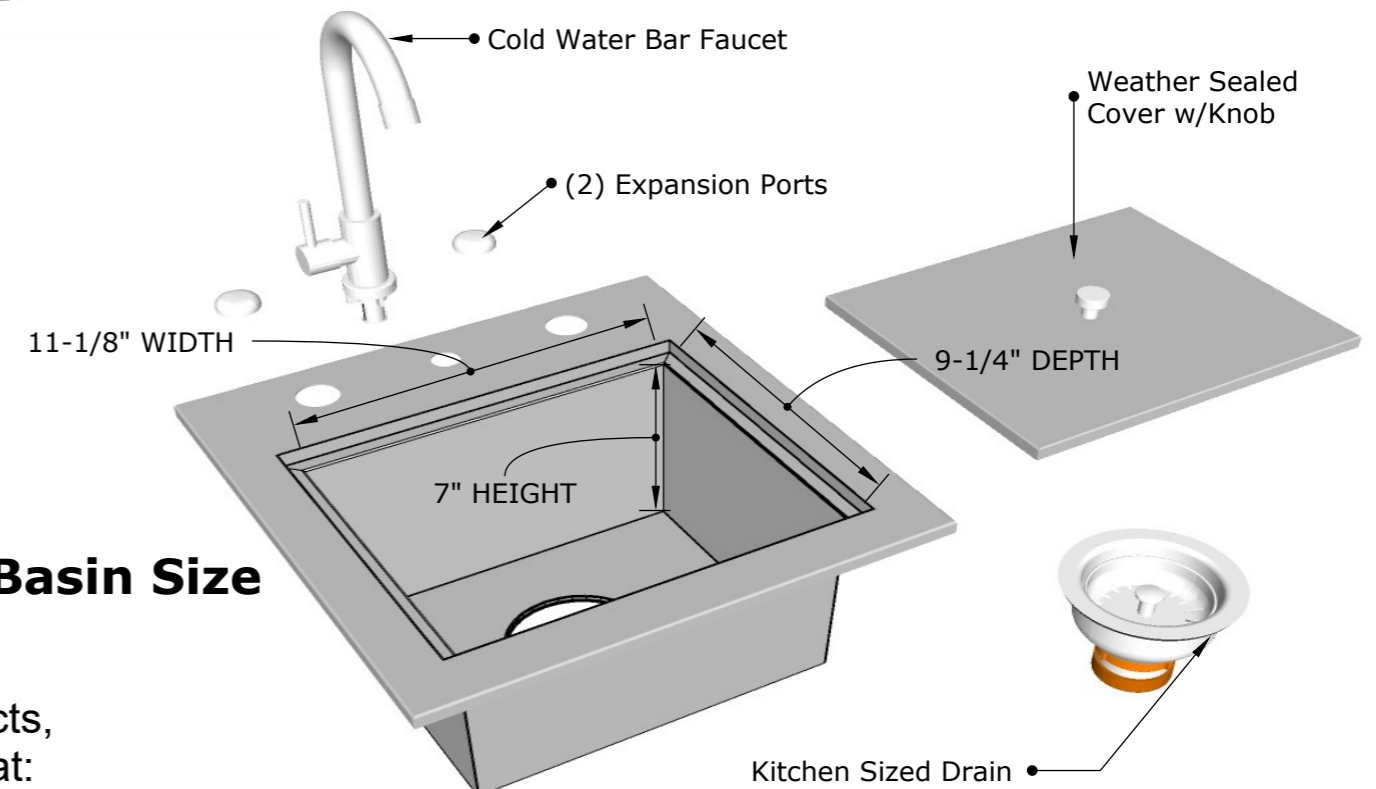
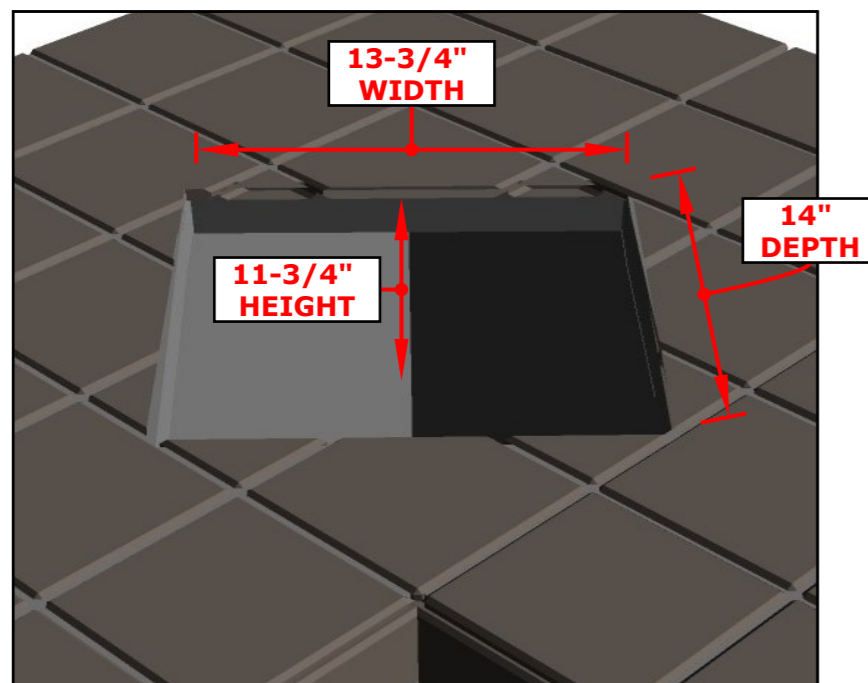
SPECIFICATIONS

PARTS LIST	ITEM NUMBER	#
COLD FAUCET	P-FC	1
ICE CHEST DRAIN	P-ICDRAIN	1
MOUNTING CLIPS	P-SS17CLIP	4

OTHER SPECS	DIMENSIONS
SINK BOWL SIZE	11-1/8" W x 9-1/4" D x 7" H
DRAIN HOLE SIZE	3-3/4" DIA. DRAIN
DRAIN STEM SIZE	1-3/4" DIA. PIPE

Product Features

CUT-OUT ILLUSTRATION



Sink Basin Size

Produced by Sunstone Metal Products,
a Proud Texas Company see more at:
www.sunstonemp.com/texanseries.html