

Sunstone Metal Products  
16004 Central Commerce Dr  
Pflugerville TX 78665  
Tel: 888.934.9449  
Bus: 512.487.5116  
Fax: 512.487.7016

**PRODUCT**  
30" Double Door Flush Mount  
Item No. A-DD30

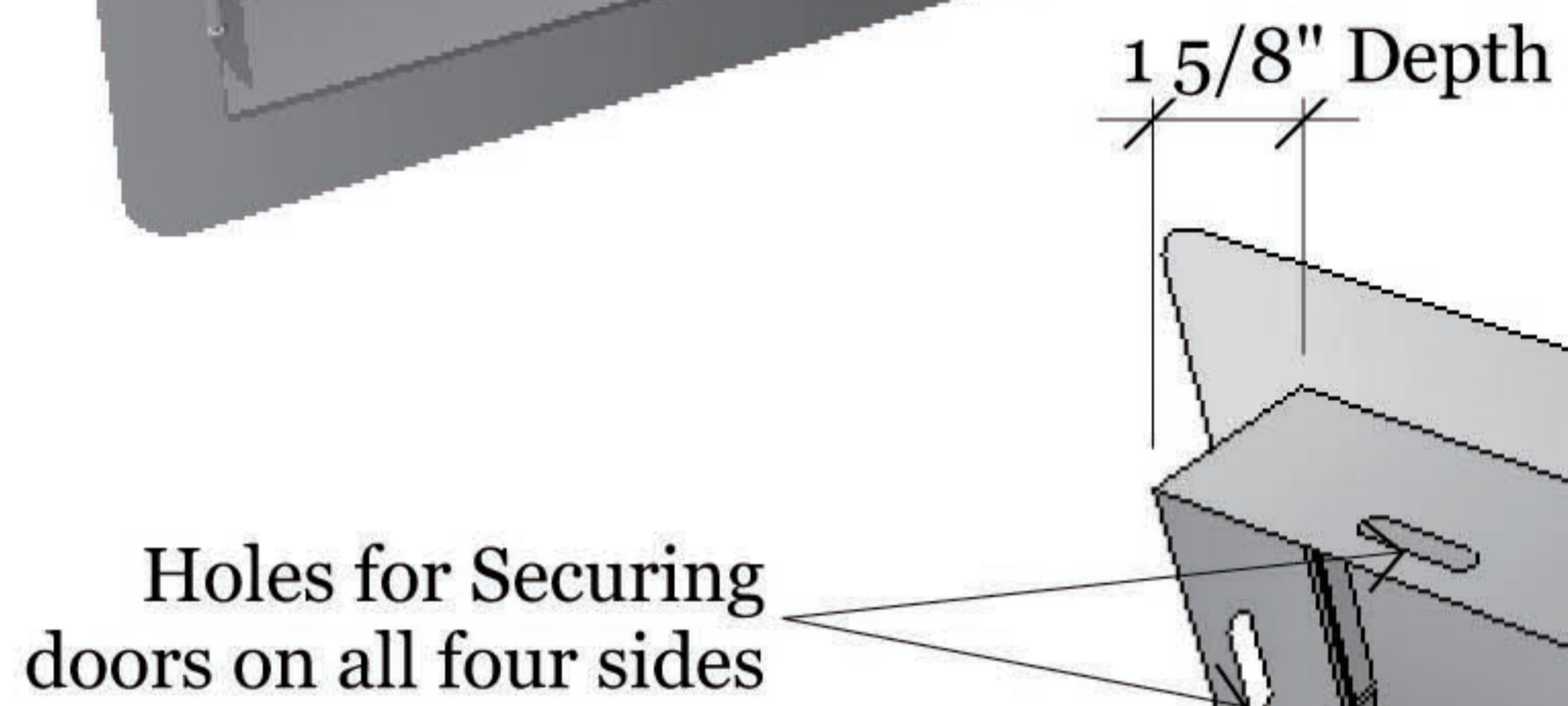
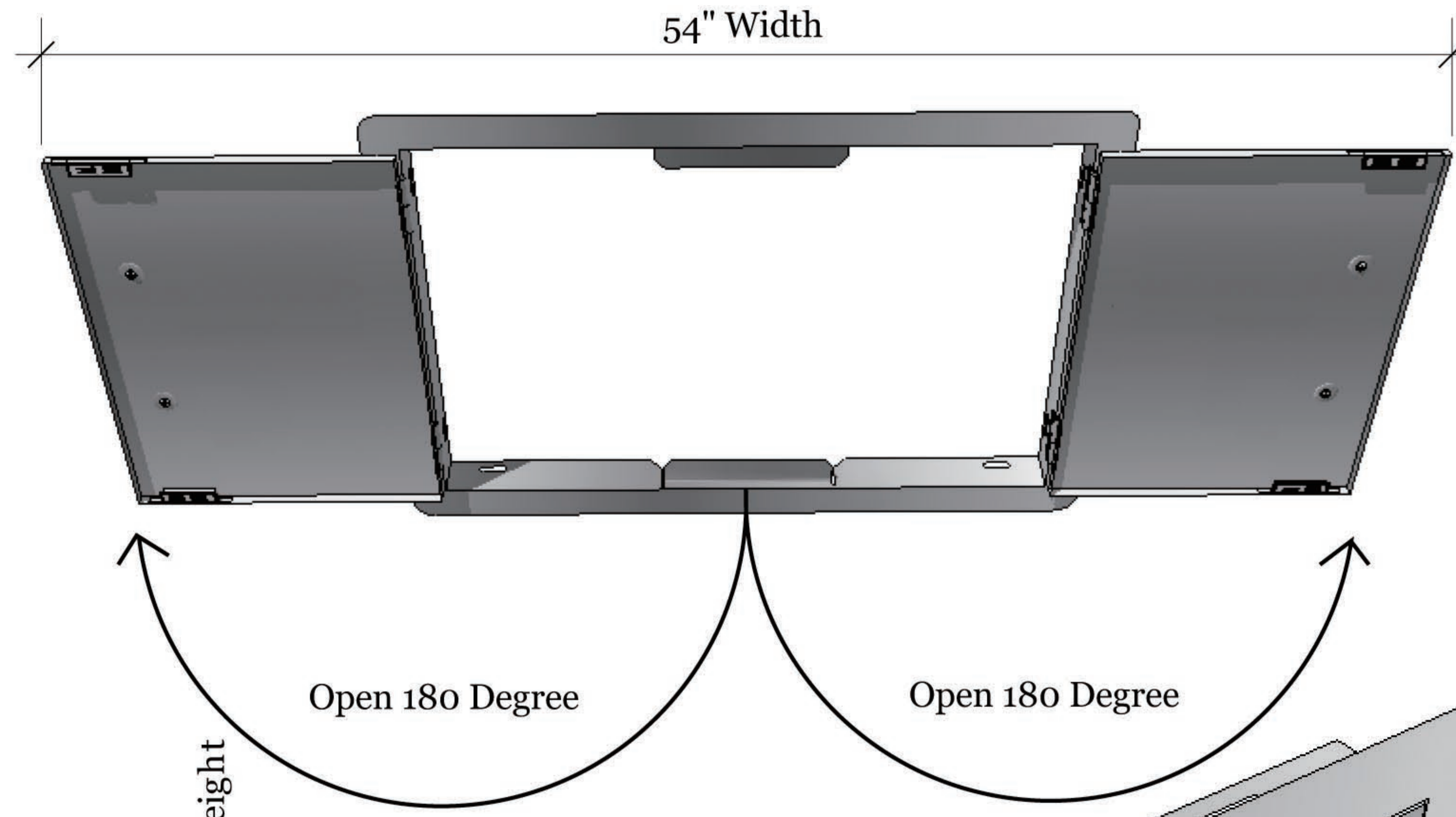
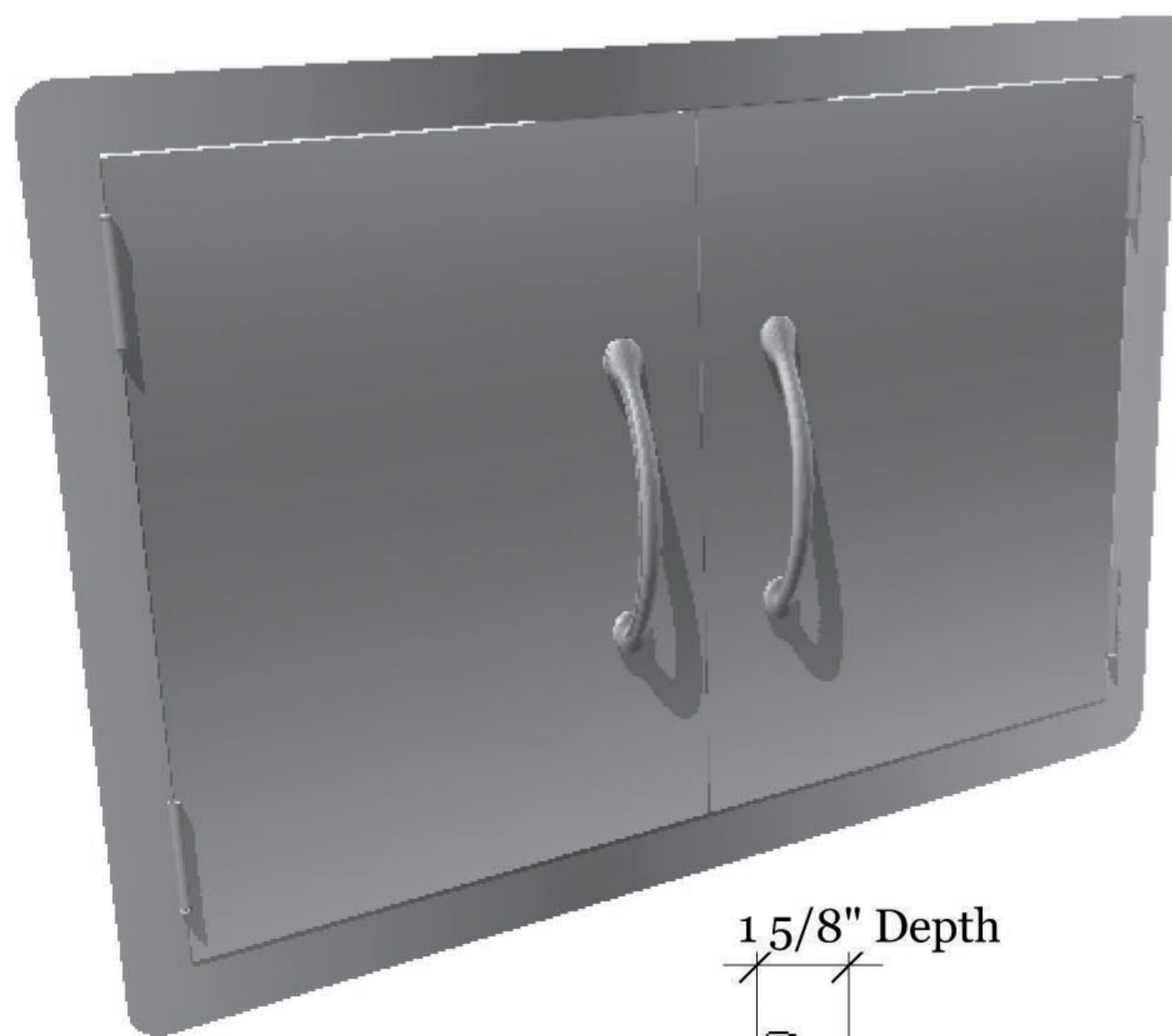
**DESCRIPTION**  
30" Double Door FLush  
Mount

**30" Double Door FLush Mount**  
30"W x 21 1/8"H x 1 5/8" D(Product Size )  
27 1/2"W x 18 1/4"H (Cut-out )  
12 LBS ( Weight )

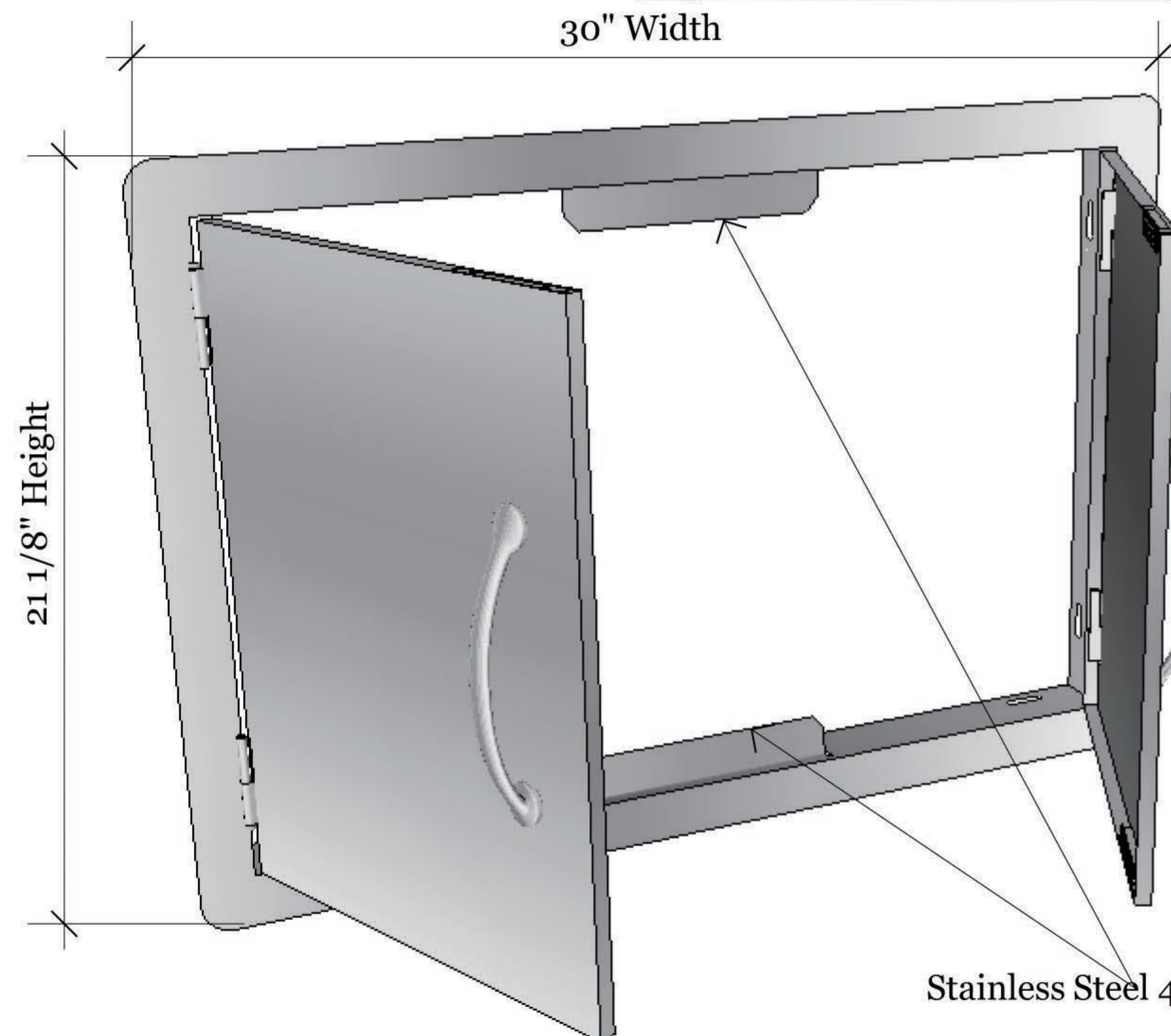
**Material Specifications:**  
304 Stainless Steel  
16 Gauge for Frame  
18 Gauge for Door  
Handles are made of Zinc Alloy,  
Chrome Plated.

Reversible hinge  
to secure door firmly  
in place, and no moving  
parts, for long lasting

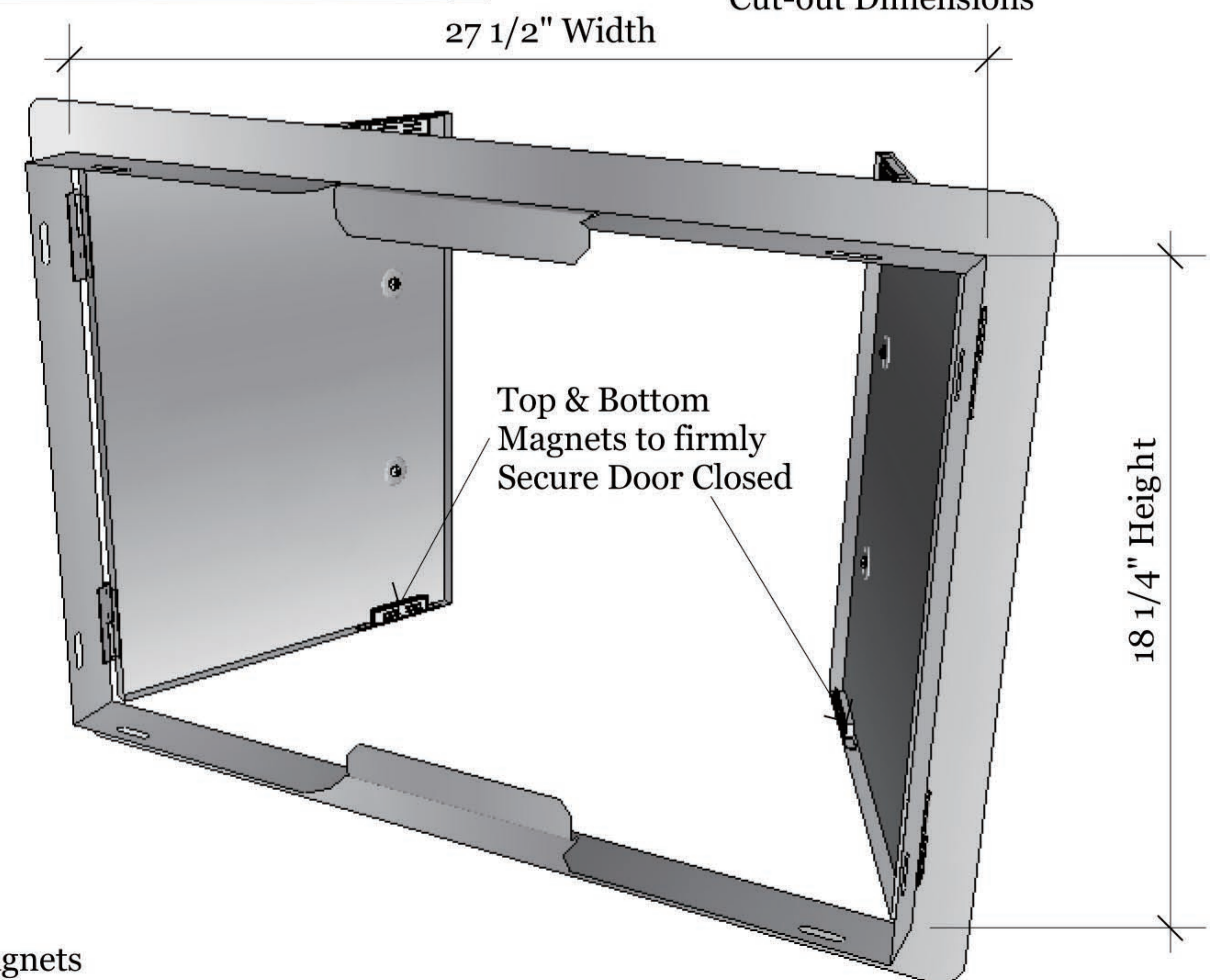
Cut-out Dimensions



Product Dimensions



Handles are made  
of Zinc Alloy,  
Chrome Plated  
for Long lasting  
Affect



Stainless Steel 430 Plate Cover secured, for door magnets