

TEXAN SERIES ODK COMPONENTS

PRODUCT

16" Paper Towel Holder
Drawer Combo

Item No. TEX-16PCD

DESCRIPTION

16" Texan Series Swivel Paper
Towel Holder & Single Extra-
Large Drawer

PRODUCT DIMENSIONS

Product Size: 16-1/4" WIDTH x
20-1/2" HEIGHT x 21" DEPTH
Cut-Out Size: 14-1/2" WIDTH x
19" HEIGHT x 21-1/2" DEPTH

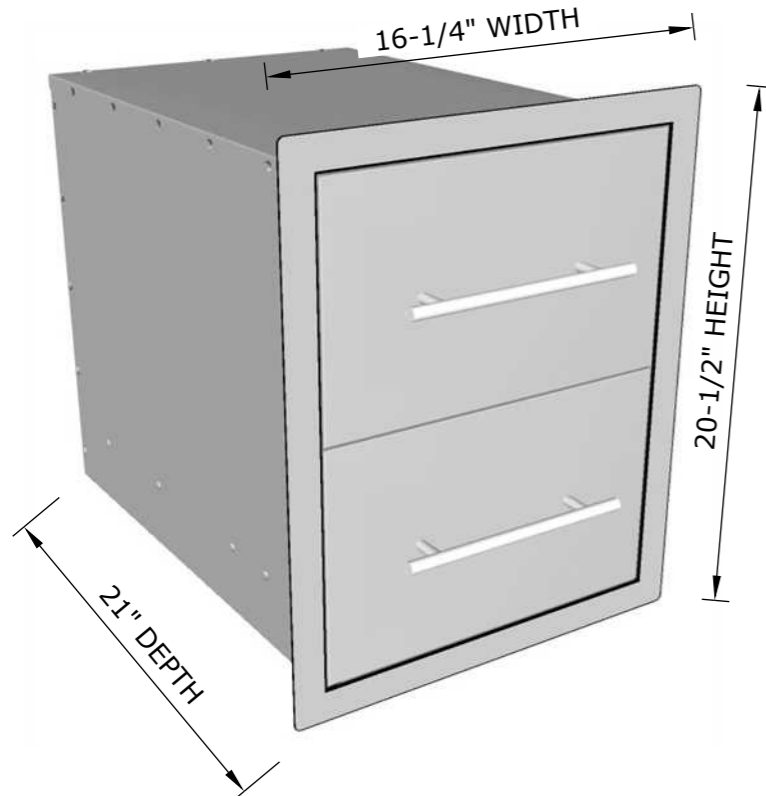
SPECIFICATIONS

304 Stainless Steel
Construction Frame, Drawers,
Galvanized Cabinet Box (Not
Exposed to Elements) 304 SS
Rod Handle

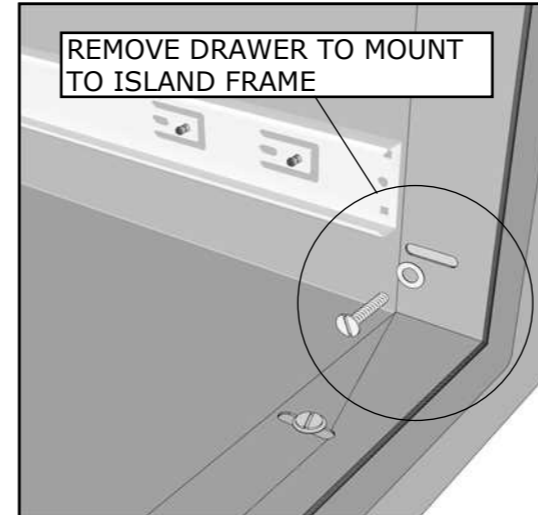
WARRANTY

- EXTERIOR FINISH -----3 YEARS
- STRUCTURE -----3 YEARS
- HANDLE-----1 YEAR

Product Dimensions



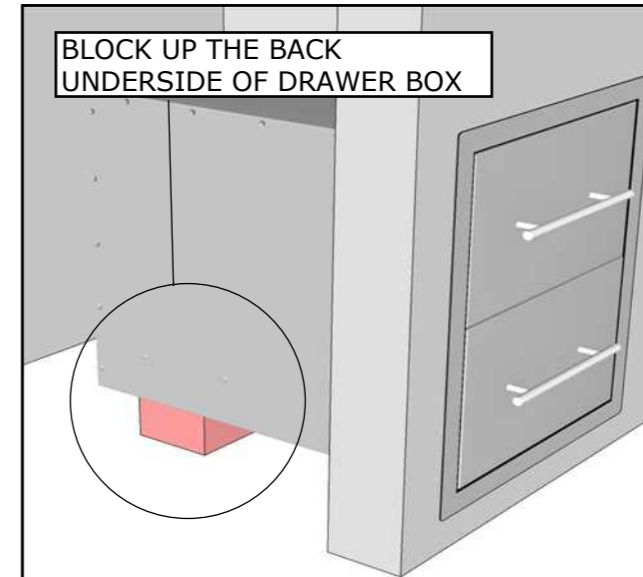
Mounting Holes



HAVE COMPONENT ON SITE BEFORE MAKING ISLAND CUTS, CONFIRM ALL DIMENSIONS BEFORE CUTTING INTO ISLAND WALL

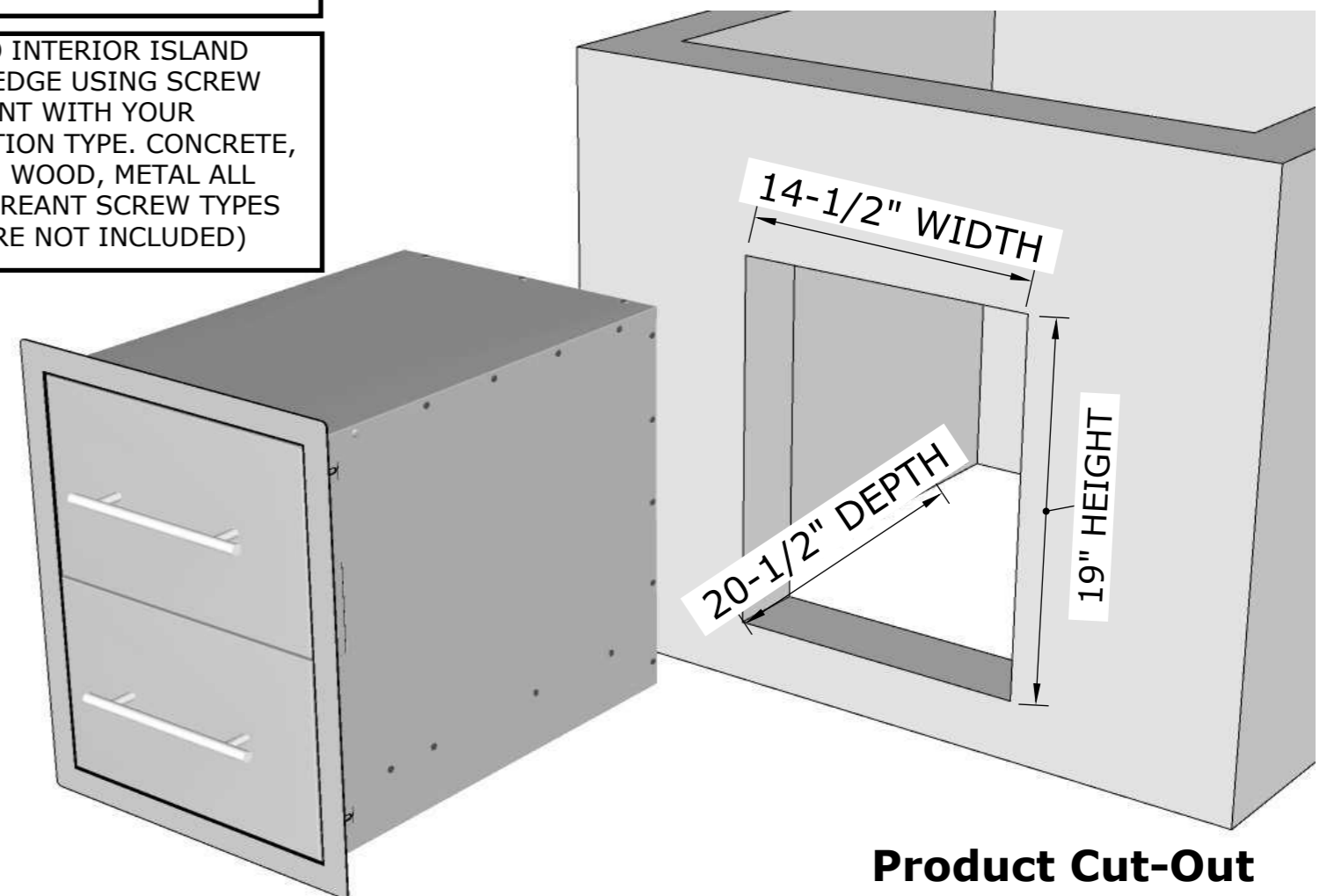
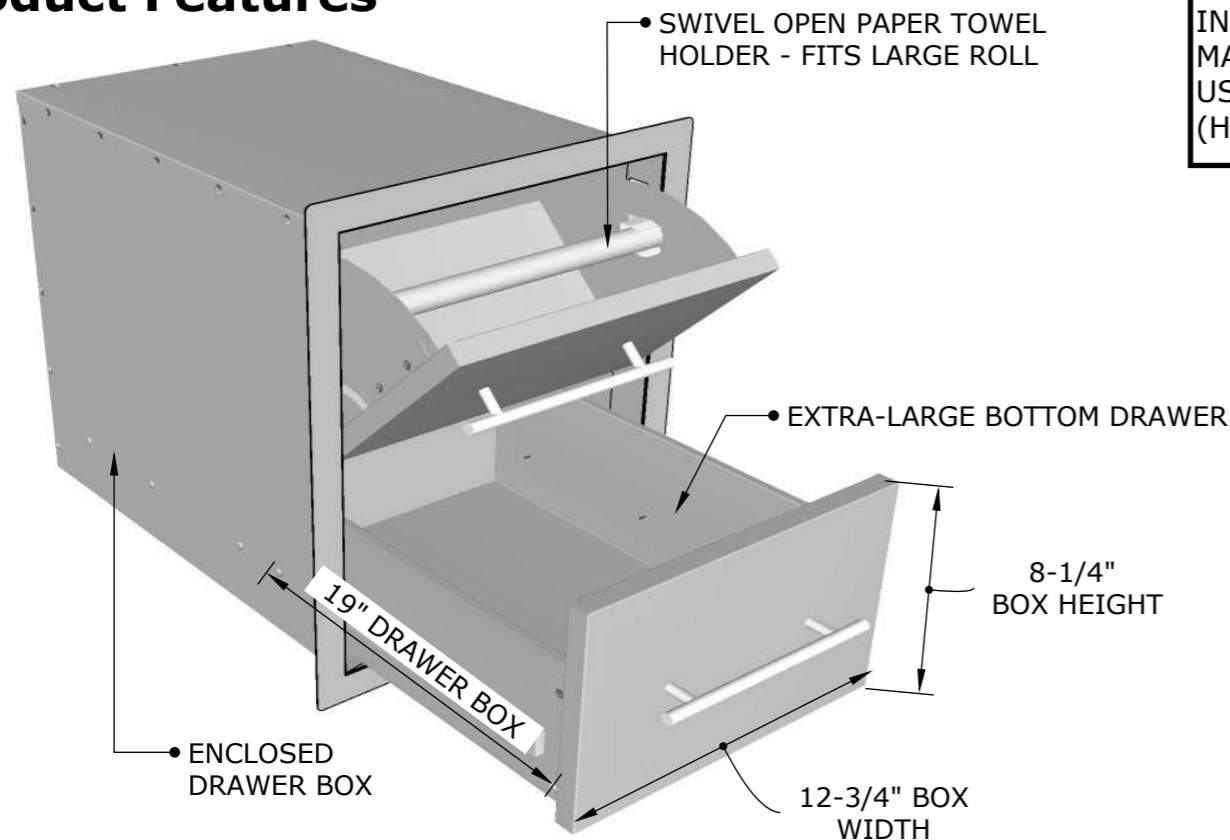
MOUNT TO INTERIOR ISLAND CUT-OUT EDGE USING SCREW CONSISTENT WITH YOUR INSTALLATION TYPE. CONCRETE, MASONRY, WOOD, METAL ALL USE DIFFERENT SCREW TYPES (HARDWARE NOT INCLUDED)

Drawer Box Support



ISLAND WALL CUT-OUT SIZE:
14-1/2" WIDTH x 19" HEIGHT x 21-1/2" DEPTH

Product Features



Product Cut-Out