

# ARUBA SERIES ODK COMPONENTS

**PRODUCT**  
16" Triple Drawer  
  
**Item No.** ARU-16TD

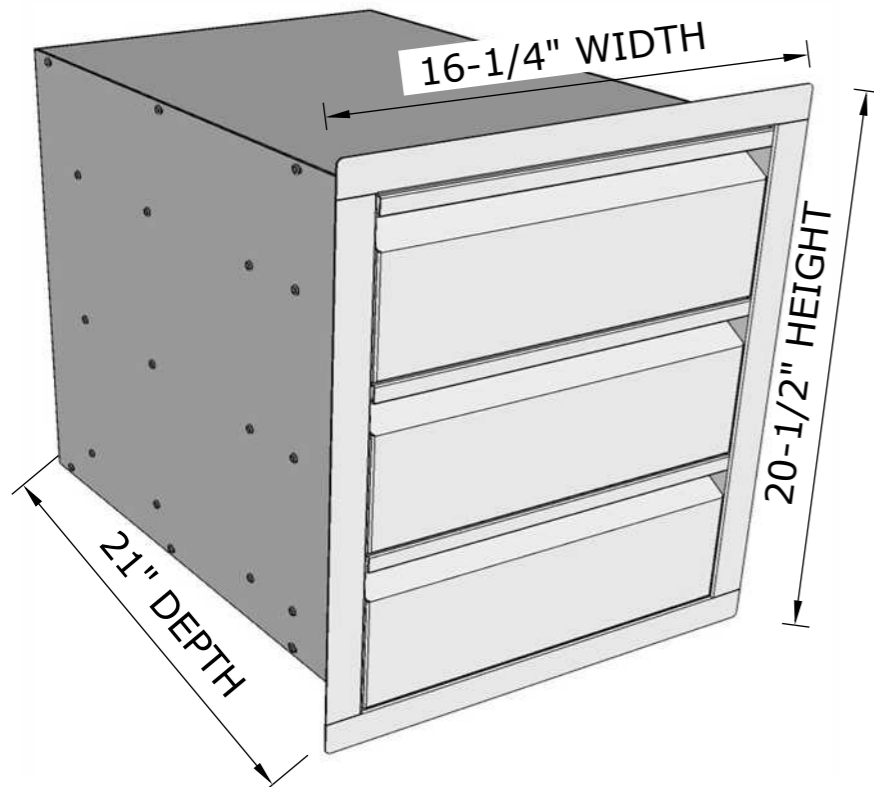
**DESCRIPTION**  
16" Aruba Series Large Triple  
Drawer Unit with Cutlery Drawer  
& Two Large Storage Drawers

**PRODUCT DIMENSIONS**  
**Product Size:** 16-1/4" WIDTH x  
20-1/2" HEIGHT x 21" DEPTH  
**Cut-Out Size:** 14-1/2" WIDTH x  
19" HEIGHT x 21-1/4" DEPTH

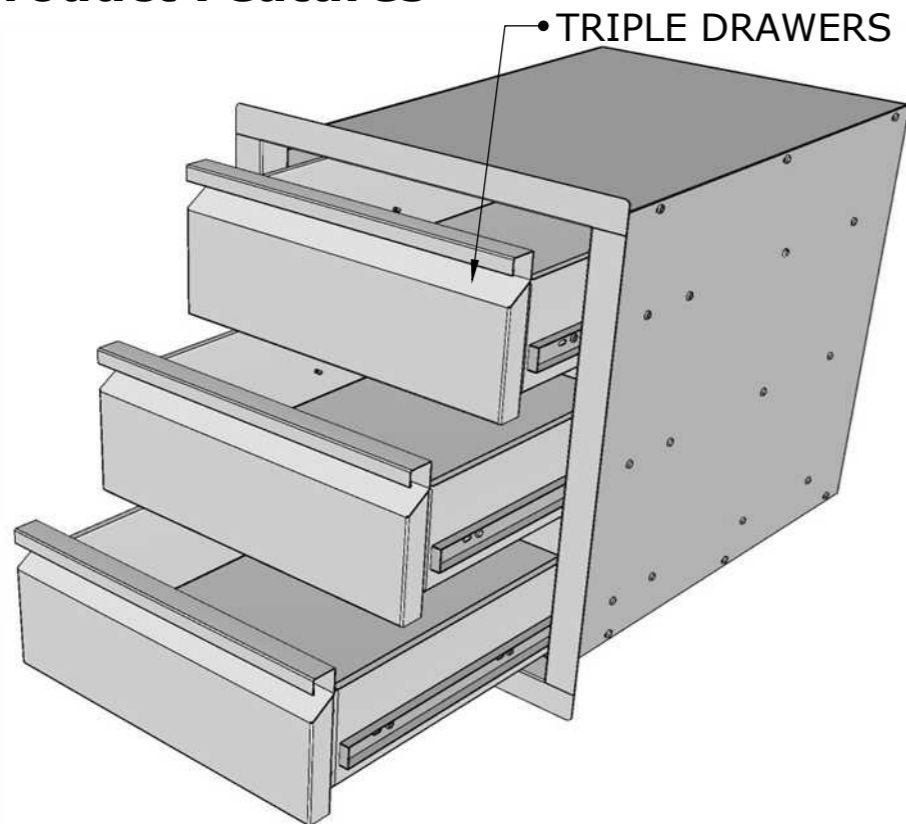
**SPECIFICATIONS**  
304 Stainless Steel  
Construction Frame, Drawers,  
Galvanized Cabinet Box (Not  
Exposed to Elements)

**WARRANTY**  
3 YEARS STRUCTURE  
WARRANTY AGAINST  
MANUFACTURE DEFECTS

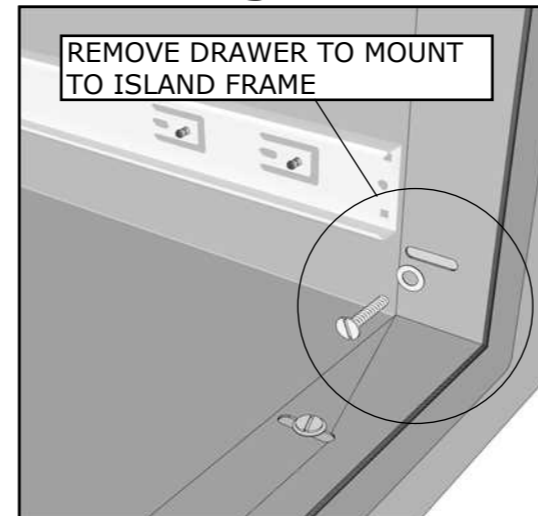
## Product Dimensions



## Product Features



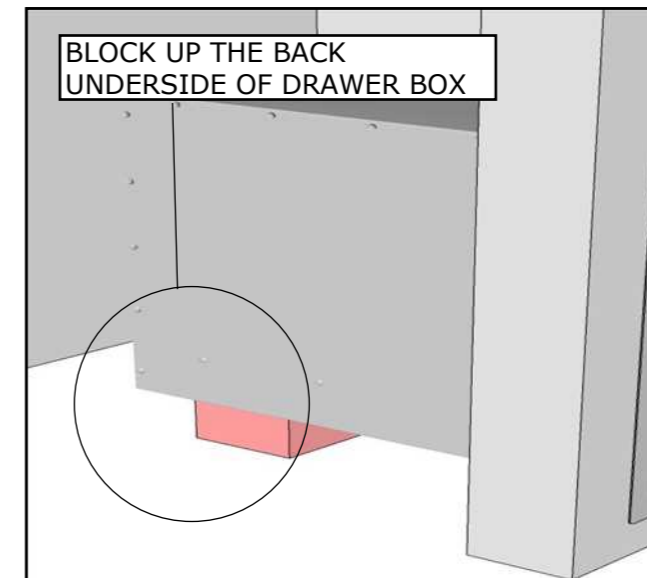
## Mounting Holes



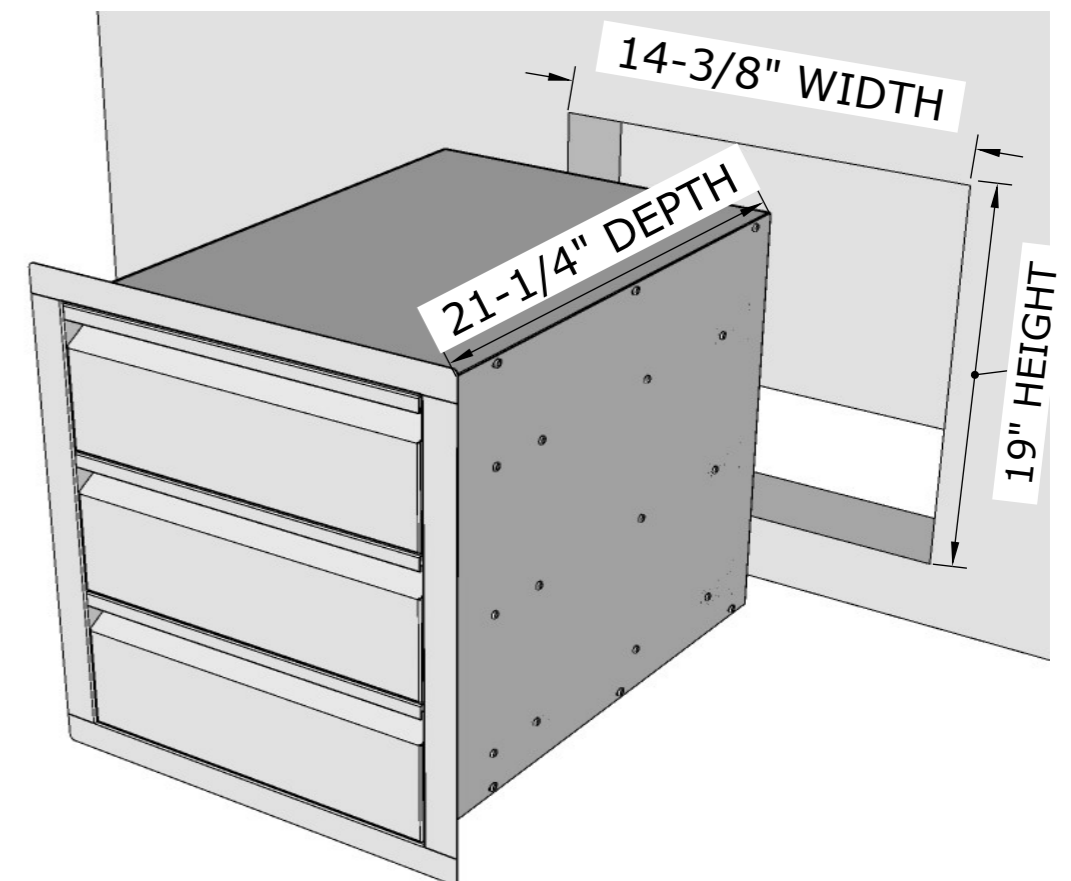
HAVE COMPONENT ON SITE BEFORE MAKING ISLAND CUTS, CONFIRM ALL DIMENSIONS BEFORE CUTTING INTO ISLAND WALL

MOUNT TO INTERIOR ISLAND CUT-OUT EDGE USING SCREW CONSISTENT WITH YOUR INSTALLATION TYPE. CONCRETE, MASONRY, WOOD, METAL ALL USE DIFFERENT SCREW TYPES (HARDWARE NOT INCLUDED)

## Drawer Box Support



ISLAND WALL CUT-OUT SIZE:  
14-3/8" WIDTH x 19" HEIGHT x 21-1/4" DEPTH



## Product Cut-Out