



## American Renaissance Grills

### Freestanding Grill Cart Assembly Instructions

**STEP 1:** (2 people recommended for cart assembly) Using a soft/protective surface, tilt cart onto its back. Attach the 4 casters (wheels) using 4 screws, washers and lock washers per caster. Place locking casters in rear of cart.

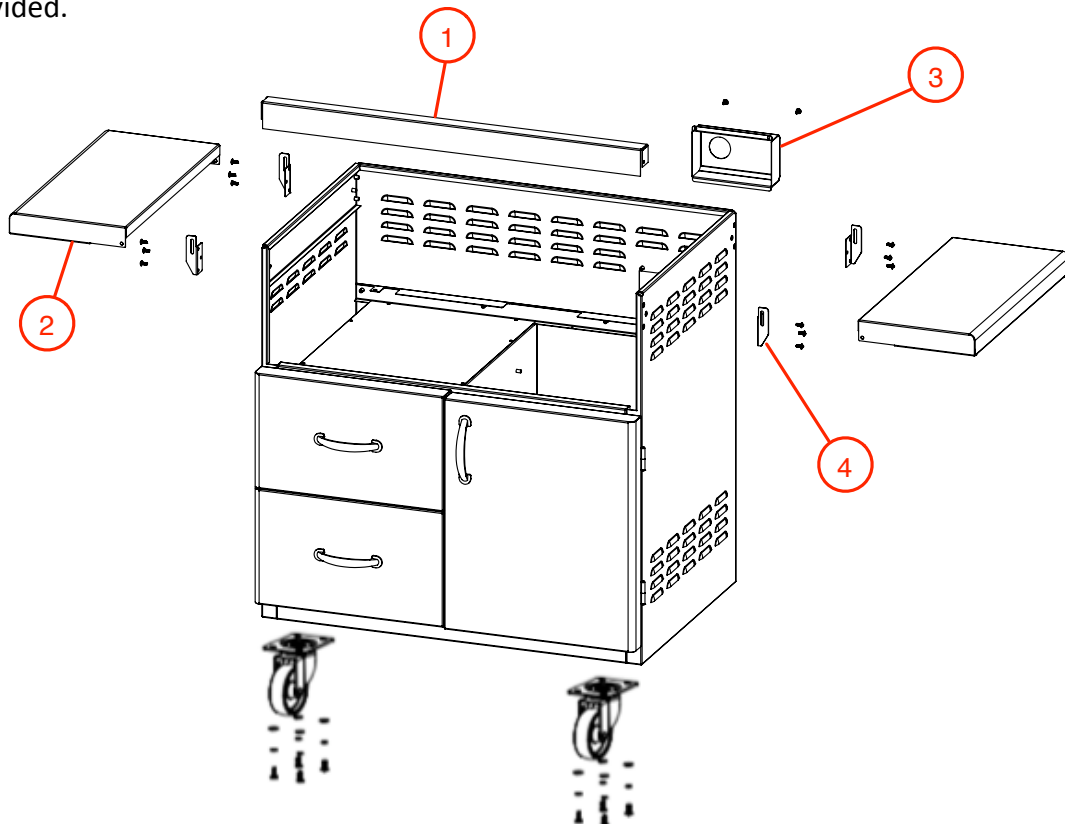
**STEP 2:** Remove packaging support beam (#1). This is used only for packaging and stabilization.

**STEP 3:** Remove protective film from surface of cart (recommended to wipe down with stainless steel cleaner once removed).

**STEP 4:** Using the hardware provided attach the rear shelf brackets (#4).

**STEP 5:** (2 people recommended for this step) With rear bracket in place put rear peg of the cart shelf (#2) through rear shelf bracket. Put front shelf bracket (#4) through front shelf peg and secure using provided hardware.

**STEP 6:** Using regulator access panel (#3) drop bottom in first and then secure top of panel using hardware provided.



For more information, questions or assistance please contact us at:  
RCSGasGrills.com ~ CustomerService@RCSGasGrills.com  
or reach out to us by phone 800 51-GRILL