

DEFINING THE OUTDOOR  
COMMERCIAL GRILLING EXPERIENCE  
SINCE 1966

COMMERCIAL GRADE GAS GRILLS & OUTDOOR PATIO HEATING FROM AEI



Our company founders were there in the spring of 1958 when the gas grill was invented... and AEI Corporation has been a part of this industry ever since! Today we offer the finest collection of gas grills specifically designed for commercial use.

The label, "commercial grade" is often an over-hyped and over-used term describing simple residential-grade products with misleading labels. Our definition is not misrepresented! PGS grills are designed and meticulously engineered to withstand the rigors of multiple families or guests sharing it. Our grills are constructed of rugged and highly durable materials, and easy to use ensuring reliable performance day in and day out. In addition, our grills are built with long-lasting features that provide both durability and safety, such as laser etched control panel instructions and our **PGS FuelStop®** one-hour gas flow timer. Finally, our products are backed with an industry leading warranty and replacement parts availability.



## T SERIES 304 Stainless Steel Commercial Outdoor Grills

### Our T SERIES Pacifica and Newport commercial grills feature:

- Exclusive PGS FuelStop® one-hour mechanical gas flow timer – ETL/ Intertek approved
- All series 304 commercial grade stainless steel cooking grids, stainless radiant grates, side shelves, pedestals, mobile mounts, grill bodies and fasteners
- Self contained continuous spark electronic ignition
- All ceramic cast briquettes provide even heat and outstanding cooking performance
- Cross-over lighting ports and down draft back-up ignition tube for added safety
- Laser etched control panels for long term safety and durability
- Anti-theft control knobs
- Multiple mounting options – masonry, permanent pedestal or portable mount
- Natural gas or propane installation – LP and NG regulators are included
- We're leading the industry with a ONE YEAR full parts replacement warranty for all components used in a commercial installation
- Complete replacement parts – available when you need them!
- "Peace of Mind" – AEI Corporation has been a major supplier of commercial grade outdoor cooking and heating products since 1966!
- Our Newport S27T has 540 square inches of cooking area and our Pacifica S36T has 720 inches of cooking area



*Built-in mechanical PGS FuelStop® one-hour gas flow timer and control panel featuring laser-etched operating instructions*

*Masonry islands not available from AEI*



*Shown is the Pacifica Gourmet grill with masonry side burner kit, a set of 39" professional doors, 27" beverage center and two drawer set - all for masonry enclosures (rotisserie optional)*

**LARGE BEVERAGE CENTER - LBC**

HEAD - S36T  
DOORS - MDS L39

SIDE BURNER - DSBKLMs  
DRAWERS - M2DS

# Lets Talk Green & Safety

Over the years, we've often been told by unhappy property managers that their community grills have been left on after use. A real safety hazard and a significant waste of precious energy. Our solution? The *PGS FuelStop*® - our exclusive, built-in mechanical one-hour gas flow timer that shuts off the gas supply after one hour of use. Want to cook longer? Just reset the timer.

Combine this great energy saving feature with our commitment to producing high efficiency burner systems, our use of materials that quickly deliver heat to the cooking grids, and the result is the ULTIMATE "green" Performance Grilling System! PGS grill materials are chosen to last, which keeps our grills on your patios and common areas - and not in a landfill.



PGS FuelStop® one-hour gas flow timer



HEAD - S27T  
CART - S27CART



*Anti-Theft control knobs  
are standard on all  
Legacy T-Series models*



HEAD - S27T  
DOORS - MDS L30

**S27T** Our Legacy Newport Series commercial grill head features durable, all-stainless steel construction, 540 square inches of cooking area, continuous spark electronic ignition, two burners with a total rating of 45,000 BTUs, laser-etched markings on the control panel, anti-theft knobs and *PGS FuelStop*® one-hour gas flow timer built right into the control panel. The S27T can be built directly into a masonry enclosure, used on our portable cart or on our pedestal base. Models are available in either natural gas or propane. The entire grill and its components are covered by our exclusive 1-year full parts replacement warranty when used in a commercial application.





# PERMANENT PEDESTAL MOUNT Commercial Outdoor Grill

## NEW FROM PGS AND AEI CORPORATION!

In addition to our masonry and portable mounting options is our all stainless steel permanent pedestal mount. Designed for natural gas installations, this unit securely mounts our S27T and S36T grills onto any deck or patio. The pedestal comes fully assembled - simply secure feet to deck, connect the gas supply to grill head, attach the side shelves and the grill is ready for use!

### S27NPED & S36NPED Pedestal Mount Exclusive Features:

- Fully assembled pedestal includes two stainless steel fixed side shelves
- All components and fasteners are commercial grade series 18 gauge 304 stainless steel
- Four pre-attached and pre-drilled mounting feet that allow for a secure and permanent installation
- Feet that set height of grilling surface at 34" to comply with ADA indoor range height requirement
- Optional feet (item #10419) raise grilling surface 2" to traditional 36" grill height are available
- Four possible entry points for gas supply – we can provide code-approved shut off valves and connectors
- Five year structural warranty
- Produced with pride in the USA!



*Our Performance Grilling System  
is an industry exclusive*



*Cooking grid, ceramic briquettes, burner system and back-up lighting port interior of PGS Newport S27T.*



*Pedestal Interior.  
Four entry points  
allow for easy gas  
connection hook-up.*



*Standard feet comply  
with ADA indoor  
height requirements.*

*Also available - 4" feet.  
(ITEM #10419)*



**BASE - S27NPED  
HEAD - S27TNG**

*Pedestal Mount  
also available for  
S36TNG Head*

# T SERIES Aluminum Commercial Outdoor Grills

When performance, safety, long term durability, and value for the dollar are the objectives, our T Series collection of aluminum grills, made of rugged, permanent mold aluminum, have been the best choice on the market for decades. Simply stated, they require significantly less maintenance to keep them looking great longer than anything else available today. PGS offers two different series of aluminum grills – models T40 and T30, available with built-in timers, or models A30 and A40 without timers.

**T40** Our T40 all aluminum grill head combines the *PGS FuelStop*® one-hour gas flow timer, twin 20,000 BTU burners, 434 square inches of commercial grade stainless cooking grids, electronic (AA battery powered) ignition, and a wide variety of mounting options, including a 48” in-ground post, a 24” aluminum post with weatherproof base (AMPB), and a large pedestal (available in stainless or powder coated black) with an all-cast aluminum patio base. The T40 comes standard with two stainless steel folding side shelves.

**T30** Our T30 all aluminum grill head combines the *PGS FuelStop*® one-hour gas flow timer, twin 15,000 BTU burners, 330 square inches of commercial grade stainless cooking grids, electronic (AA battery powered) ignition, and a wide variety of mounting options (the same options for mounting as the T40). The T30 comes standard with one stainless steel folding side shelf.



HEAD - T30  
PEDESTAL - ASPED  
BASE - ANB



HEAD - T40  
BASE - APP



HEAD - T30  
BASE - AMPB



INTERCHANGEABLE!  
MATCH ANY HEAD  
WITH ANY  
SUPPORT  
★



The T40 Series is also available with an all stainless steel pedestal (shown above left, ASPED with T30).

HEAD - T40  
PEDESTAL - APPED  
BASE - ANB

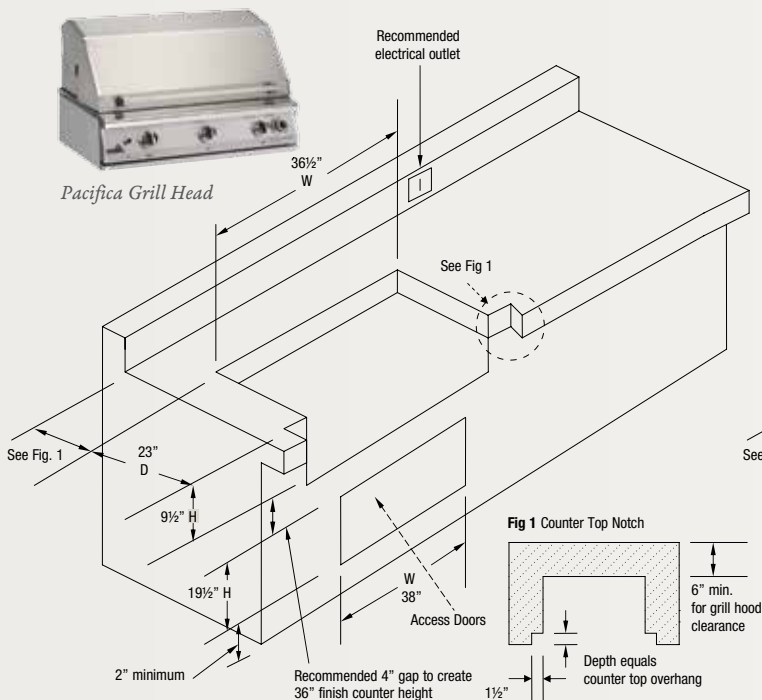
All T Series aluminum models available in natural gas or propane and are Produced with Pride in the USA. Parts are readily available through AEI Corporation or your local dealer or PGS distributor.



# CUTOUT DIMENSIONS (for non-combustible enclosures only)

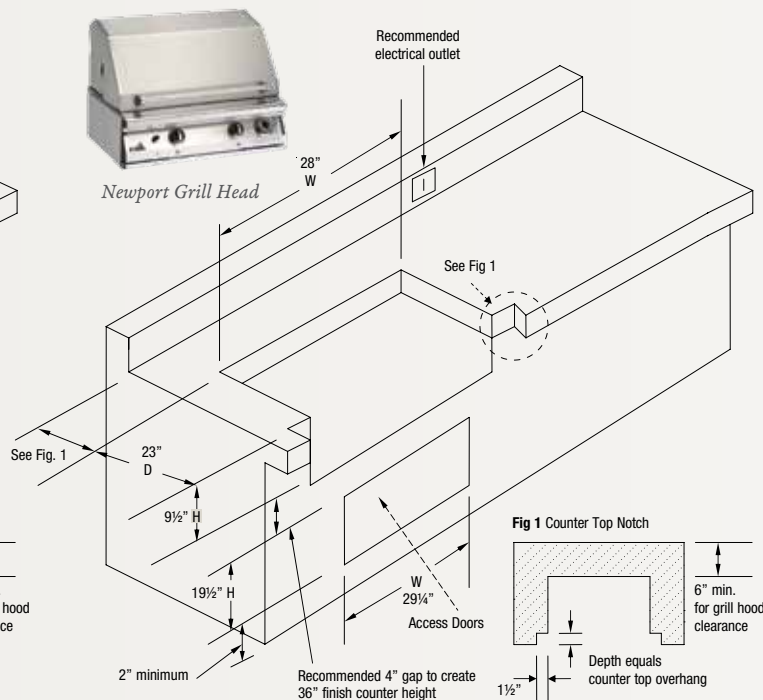
## S36T

<b>S36T Pacifica Grill Head</b>	36½" width	23" depth	9½" height
<b>MDS L39 Door Kit</b>	38" width		19⅜" height



## S27T

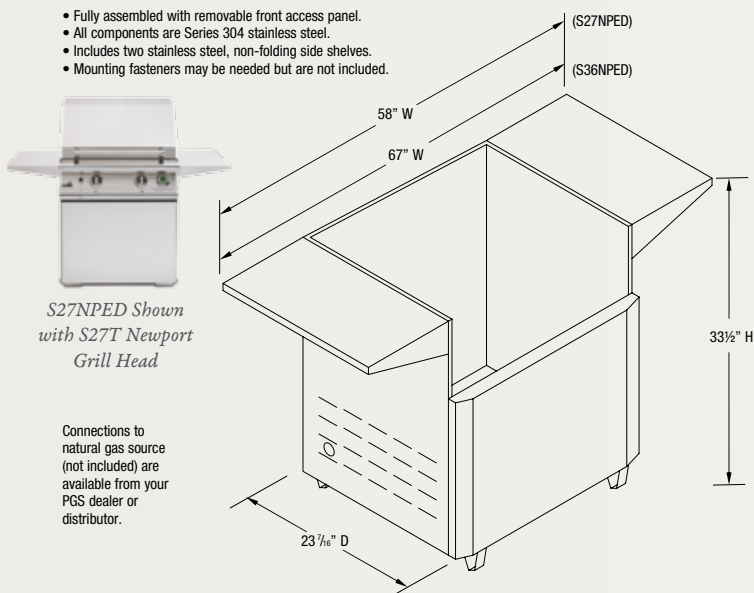
<b>S27T Newport Grill Head</b>	28" width	23" depth	9½" height
<b>MDS L30 Door Kit</b>	29¼" width		19⅜" height



## S27NPED

<b>S27NPED Pedestal Mount</b>	58" width	23⅞" depth	33½" height
<b>S36NPED Pedestal Mount</b>	68" width	23⅞" depth	33½" height

- Fully assembled with removable front access panel.
- All components are Series 304 stainless steel.
- Includes two stainless steel, non-folding side shelves.
- Mounting fasteners may be needed but are not included.



## Other PGS Grill Masonry Accessories

### LBC Beverage Center

28" width	23" depth	9½" height
-----------	-----------	------------

### Side Burner & SCM Small Beverage Center

12½" width	18½" depth	9" height
------------	------------	-----------

### MDS L30 Pro Series 30" SS Dual Doors

29 1/4" width	19 3/8" height
---------------	----------------

### MDS L39 Pro Series 39" SS Dual Doors

38" width	19⅜" height
-----------	-------------

### M2DS Twin SS Pull-Out Utility Drawers

14" width	20" height
-----------	------------

**NOTE: Island must be vented to comply with all building and ANSI codes. Grill head must be installed in a non combustible masonry or metal enclosure**

Dimensions and specifications are subject to change without notice. Please call our customer service department for the latest updates.

Masonry Islands not available from AEI.



# Complete Your Outdoor Cooking & Entertainment Center

AEI Corporation offers a world class assortment of premium commercial quality outdoor comfort heating products ranging from portable propane models, to free-standing heaters, to eave-mounted gas and electric heaters. We can provide the best solutions for your outdoor comfort heating needs and offer design assistance for all products at no charge.

For more detailed information and a complete line of our products, please visit us at [www.aeicorporation.com](http://www.aeicorporation.com) or [www.aeicommercial.com](http://www.aeicommercial.com)



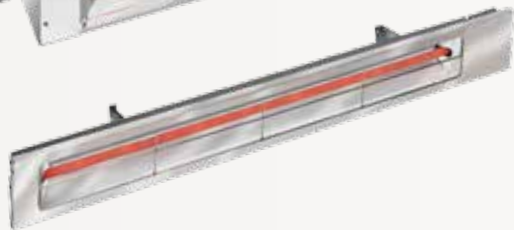
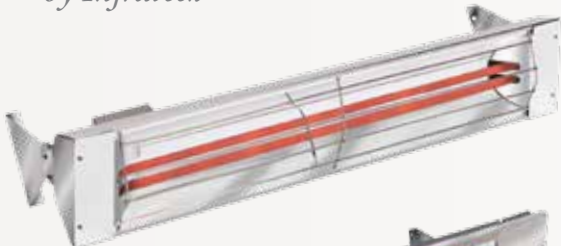
## Horizontal Gas Heaters

*Sunpak® by Infrared Dynamics*



## Quartz Electric Patio Heaters

*by Infratech*



## Permanent & Free Standing Patio Heaters

*Sunglo® by Infrared Dynamics, Patio Comfort™ & Ambiance™*



Sunglo A270SS

Patio Comfort NPC05

Sunglo A265

Ambiance PC14AB

# PRODUCT SPECIFICATIONS

# WARRANTY INFORMATION



Since 1966, AEI has prided itself on providing “No Compromise Products” and “No Compromise Warranties”. This includes a 100% parts replacement for one full year on any PGS Grill shown in this catalog. Warranty excludes misuse, damage due to product modification or improper installation, vandalism, paint, scratches and surface rust and oxidation, or natural disasters.

PGS Model	S36T	S27T	T40	T30
Housing	Stainless Steel	Stainless Steel	Cast Aluminum	Cast Aluminum
Cooking Grid Material	304 Stainless Steel	304 Stainless Steel	304 Stainless Steel	304 Stainless Steel
Cooking Grid Size	720 sq. in.	540 sq. in.	434 sq. in.	330 sq. in.
BTU Input	67,000 BTUs	45,000 BTUs	40,000 BTUs	30,000 BTUs
Rock Grate	Stainless Steel	Stainless Steel	Porcelain on Steel	Porcelain on Steel
Briquettes	Porcelain Ceramic	Porcelain Ceramic	Porcelain Ceramic	Porcelain Ceramic
Ignition	AA Continuous Spark	AA Continuous Spark	AA Continuous Spark	AA Continuous Spark
Auxiliary Lighting	Lighting Tube	Lighting Tube	Match	Match
Masonry Frame	Included	Included	N/A	N/A
PGS FuelStop®	In Control Panel	In Control Panel	In T40 Head	In T30 Head
In Ground Post	N/A	N/A	APP	APP
Post and Base Kit	N/A	N/A	A MPB	A MPB
Stainless Steel Pedestal & Base	S36NPED	S27NPED	AS PED + A NB	AS PED + A NB
Black Pedestal & Base	N/A	N/A	AB PED + A NB	AB PED + A NB
Stainless Steel Cart	S36CART	S27CART	AS PED + A LC or A NC	AS PED + A LC or A NC
Black Cart	N/A	N/A	AB PED + A LC or A NC	AB PED + A LC or A NC
Optional Warming Rack	#436909	#427909	#140071	#130071

*AEI also offers a full array of parts and accessories for its PGS line of gas grills including covers, rotisserie kits, side burners, drawer kits, shelf kits, and more!*

Prior to purchasing your grills please be sure to check with your local building codes department or fire officials to be sure your installation complies with all code requirements. This is your responsibility and not that of your selling dealer or PGS distributor, or AEI Corporation.

*PGS grills can only be installed in islands constructed of non-combustible materials.*

*Materials, specifications, pricing and warranties subject to change. Please check our website or contact us directly if you have any questions.*



Defining the Outdoor Grilling & Comfort Heat Experience  
 2641 Du Bridge Ave. Irvine, CA 92606 | 949-474-3070  
[www.aeicommercial.com](http://www.aeicommercial.com)

