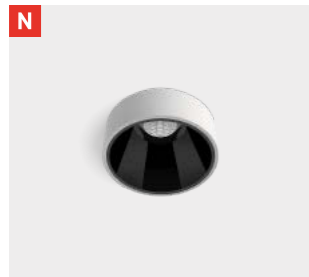


SHOT LIGHT



MORE INFO >>

	P	CCT	Beam	I	Flux	LOR
SHOT LIGHT S Semi Recessed	A495-0- 00- WT NT BG CR NTMG	6W	2700K	18°	500mA	640 lm 89%
	A495-0- 01- WT NT BG CR NTMG	6W	3000K	18°	500mA	670 lm 89%
	A495-0- 02- WT NT BG CR NTMG	6W	4000K	18°	500mA	720 lm 89%
	A495-0- 10- WT NT BG CR NTMG WTW	6W	2700K	40°	500mA	640 lm 89%
	A495-0- 11- WT NT BG CR NTMG WTW	6W	3000K	40°	500mA	670 lm 89%
	A495-0- 12- WT NT BG CR NTMG WTW	6W	4000K	40°	500mA	720 lm 89%

220
240 V~ | IP20 | CRI>90 | L80B10
>60.000h

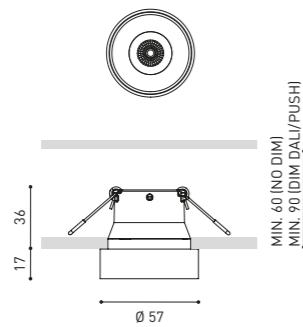


*OPTIONS

1	No DIM
2	DIM DALI
3	DIM Push

DIM PHASE CUT & OTHER DIM OPTIONS
PLEASE CONSULT

FINISHING	Body	Lampshade
WT	WT <input type="checkbox"/> N <input type="checkbox"/>	N <input type="checkbox"/>
NT	NT <input type="checkbox"/> N <input type="checkbox"/>	N <input type="checkbox"/>
BG	BG <input type="checkbox"/> N <input type="checkbox"/>	N <input type="checkbox"/>
CR	CR <input type="checkbox"/> N <input type="checkbox"/>	N <input type="checkbox"/>
NTMG	NT <input type="checkbox"/> MG <input type="checkbox"/>	MG <input type="checkbox"/>
WTW	WT <input type="checkbox"/> W <input type="checkbox"/>	W <input type="checkbox"/>



MIN. 60 (NO DIM)
MIN. 90 (DIM/DALI/PUSH)



WTW



WT



NT



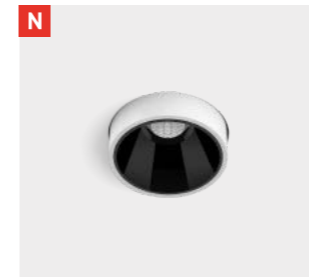
NTMG



CR



BG



MORE INFO >>

	P	CCT	Beam	I	Flux	LOR
SHOT LIGHT S Flex	A477-0- 00- WT NT NTMG	6W	2700K	18°	500mA	640 lm 89%
	A477-0- 01- WT NT NTMG	6W	3000K	18°	500mA	670 lm 89%
	A477-0- 02- WT NT NTMG	6W	4000K	18°	500mA	720 lm 89%
	A477-0- 10- WT NT NTMG	6W	2700K	40°	500mA	640 lm 84%
	A477-0- 11- WT NT NTMG	6W	3000K	40°	500mA	670 lm 84%
	A477-0- 12- WT NT NTMG	6W	4000K	40°	500mA	720 lm 84%

220
240 V~ | IP20 | CRI>90 | L80B10
>60.000h



*OPTIONS

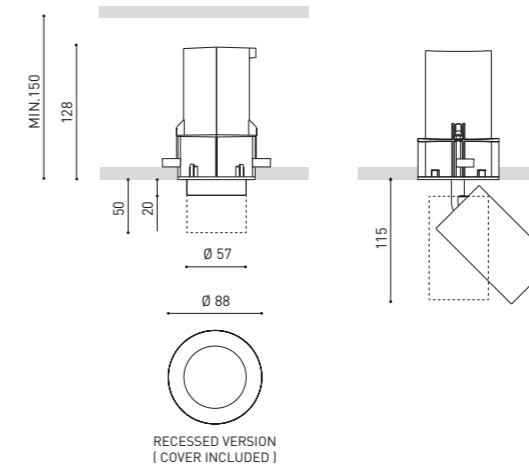
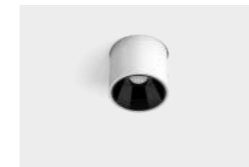
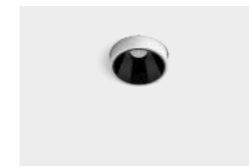
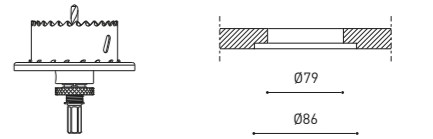
1	No DIM
2	DIM DALI
3	DIM Push

DIM PHASE CUT & OTHER DIM OPTIONS
PLEASE CONSULT

FINISHING**	Body	Lampshade
WT	WT <input type="checkbox"/> N <input type="checkbox"/>	N <input type="checkbox"/>
NT	NT <input type="checkbox"/> N <input type="checkbox"/>	N <input type="checkbox"/>
NTMG	NT <input type="checkbox"/> MG <input type="checkbox"/>	MG <input type="checkbox"/>

OPTIONAL ACCESSORY

TRIMLESS TOOL D79 X D86mm A478-00-04



RECESSED VERSION
(COVER INCLUDED)

