

meir.

CURVAÉ

ACCESSORIES

Version 1. 2024.

WELCOME

Thank you for purchasing our Curvaé accessory range. This information booklet will offer guidance for simple installation of the different products in the range. Meir does not accept responsibility for any damages caused by not following these instructions. If you have any questions regarding our products, please contact us at:

sales@meir.com.au

CONTENTS

WELCOME	01
CONTENTS	02
DESCRIPTION	03
PRODUCT DIMENSIONS	03
PRECAUTIONS FOR INSTALLATION	04
INSTALLATION INSTRUCTIONS	05
WARRANTY	09
CLEANING	09

DESCRIPTION

Meir accessory range products use various mounting brackets. Each option is covered in this booklet. Match the accessory mounting bracket you have with the correct installation guide below.

PRODUCT DIMENSIONS

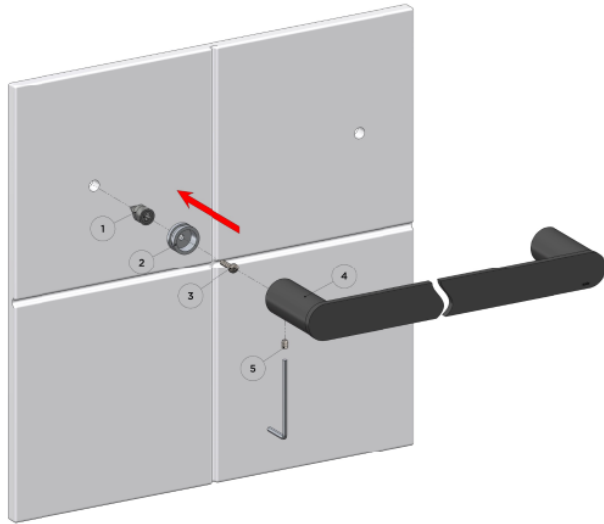
The accessory range products each have specific dimensions which are made available on the Meir website. Please refer to your product's specific datasheet for dimension details.

PRECAUTIONS FOR INSTALLATION

1. This information booklet does not replace the need to use a qualified installer.
2. Make sure the installation dimensions are checked prior to installation. Refer to the on-line datasheets for product dimensions and features.
3. The accessory products are provided with dry-wall as well as brick-wall screw sets.
4. Ensure that all the mounting points for the accessories are fastened to the support beams or noggins in the wall when installing against dry walls.
5. Ensure that no metal tools are used directly against the surface of the accessories when working the parts during installation.

INSTALLATION INFORMATION

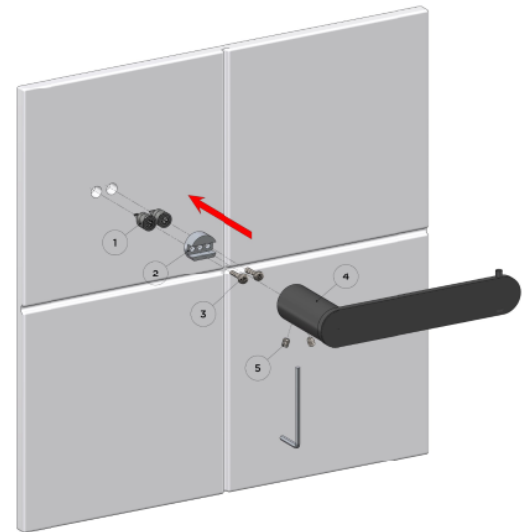
Wall mount bracket type 1 (1 screw)



1. Refer to the specific item datasheet for the dimensions and drill the holes in the wall. Make sure the holes are level.
2. Using either the dry-wall screw or the brick-wall screw sets, install the mounting bracket (2) to the wall.
3. Loosen the grub screws (5) slightly so the rail can slide onto the mounting bracket. Re-tighten the grub screws.

INSTALLATION INFORMATION

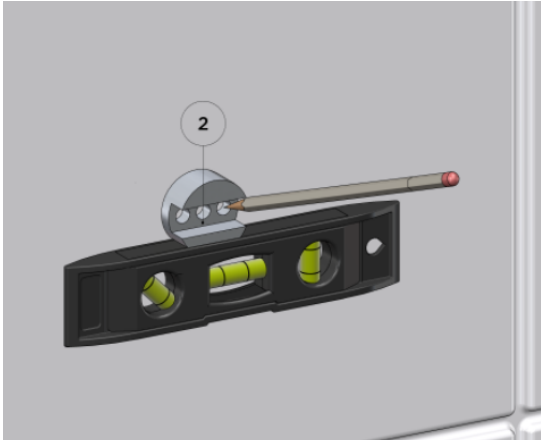
Wall mount bracket type 2 (2 screws)



1. Refer to the specific item datasheet for the center to center dimensions and drill the holes in the wall. Each bracket needs two screw holes each.
2. Make sure the bracket is installed as level as possible. (see inset)
3. Adjust the level of the handle using the dual grub screws. (see inset)

INSTALLATION INFORMATION

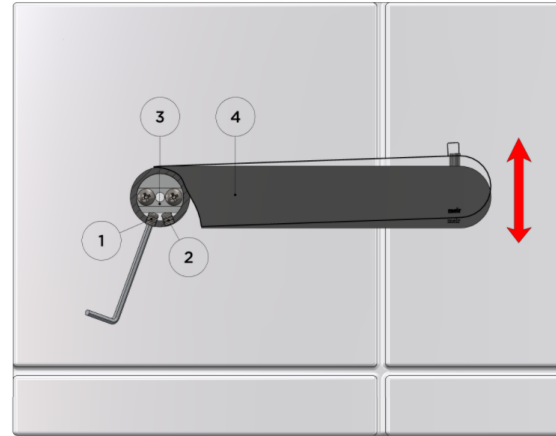
Bracket type 2 leveling



1. Place the level along the flat surface of the bracket when marking the hole positions for drilling the holes.

INSTALLATION INFORMATION

Bracket type 2 adjustment



1. The dual grub screws can be used to make slight level adjustments to the accessory handle if required.
2. This is done by first loosening both grub screws until the handle can be adjusted to the level position.
3. Then start to tighten the grub screw closest to the handle first. Alternate between each screw, tightening each more and more until the handle is level and tight.

WARRANTY

THE WARRANTY WILL NOT APPLY IF:

- Normal and fair wear and tear, misuse, abuse, or mishap.
- The exposure to excessive moisture derived from lack of ventilation.
- The inability to provide proof of purchase.
- Products not installed by a licensed trades person, failure to follow installation instructions or damage which arises from or during installation.
- The glass is damaged due to the direct contact of any metal to the glass surface.
- Scratches or damage caused by applying physical and or abrasive contact directly to the product.
- The product being damaged by accident or neglect.
- Incorrect use of the product other than its fit for purpose.
- The purchaser attempting to modify or repair the product.
- Full Warranty and Terms & Conditions can be viewed at:
meir.com.au/meir-australia-warranty/

CLEANING

- Do not install the accessories using any form of acetone silicones.
- Do not apply physical items (such as tools) directly to the product.
- Never use detergents, citrus based cleaners, bleach, or abrasive cream cleaners and do not use undue pressure.
- A soft cloth can be used to remove surface dust. Alternatively, wipe with warm soapy water to ensure the finish remains in a superior condition for continued use.

CONTACT

P: 1800 012 122

P: +61 3 8678 1722 (international)

E: sales@meir.com.au

meir.