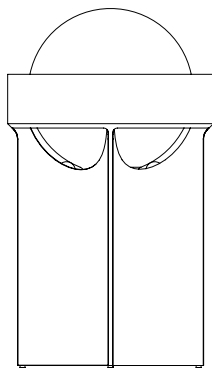


## Installation Guide

# LOOP TABLE LAMP

Thoughtful lighting, responsibly designed in London.

Thank you for making the switch to Tala.  
Discover the full Tala family at [tala.co.uk](http://tala.co.uk)



### BEFORE STARTING

Please read instructions thoroughly before installation and keep them for future reference. Please take extreme care when dealing with electrical equipment.

### IMPORTANT

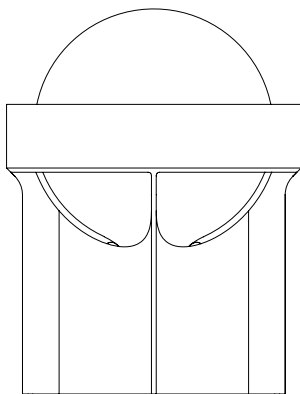
Bulb must be installed in fixture before turning on.

### WARNING

Ensure power is turned OFF before inserting plug.

### CARE AND CLEANING

We recommend cleaning with a soft dry cloth. Do not use abrasive materials as these will damage the finish of the product. Do not use alcohol or other solvents.



### WARRANTY AND AFTER-CARE

This product has a two-year warranty. If there appears to be a functional defect with the product during this time, please contact our team at [customerservice@tala.co.uk](mailto:customerservice@tala.co.uk).

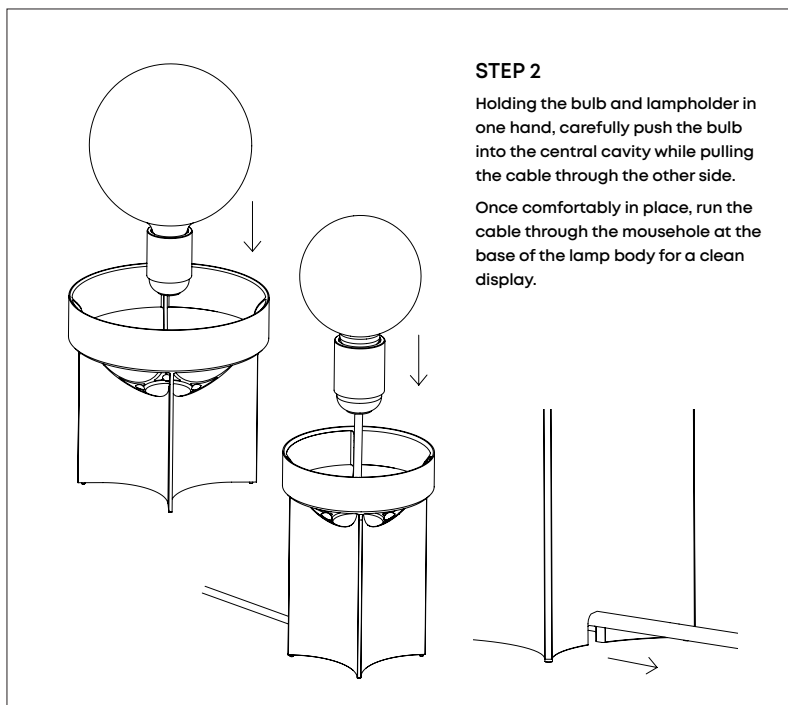
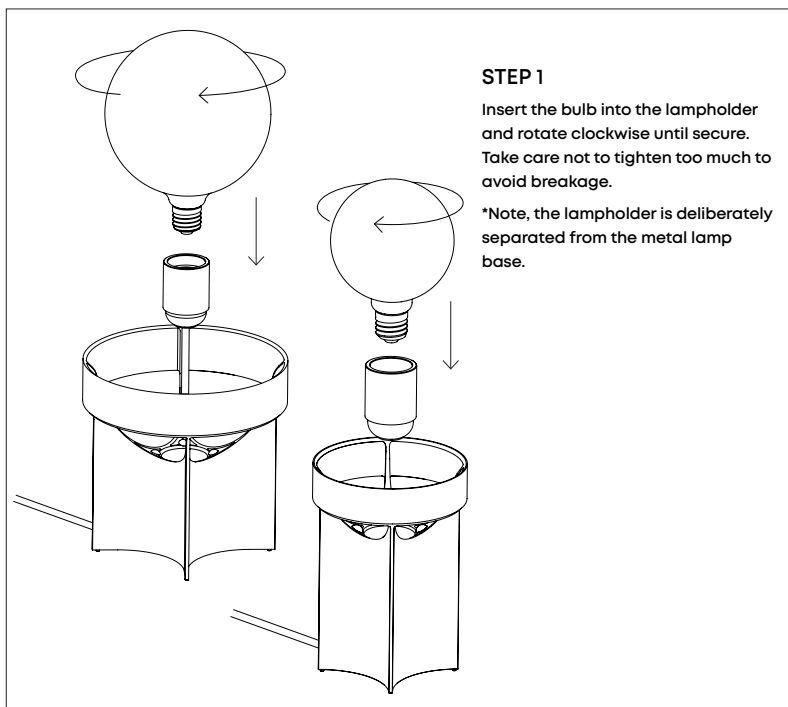
Please note, the flexible cable attached to this luminaire cannot be replaced; if the cable is damaged, recycle the luminaire and seek a replacement.

FOR INDOOR USE ONLY

SKU - LOOP-SPHR-III-GD-TBL-01-EU  
SKU - LOOP-SPHR-III-SL-TBL-01-EU  
SKU - LOOP-SPHR-III-DG-TBL-01-EU

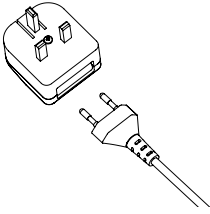
SKU - LOOP-SPHR-IV-GD-TBL-01-EU  
SKU - LOOP-SPHR-IV-SL-TBL-01-EU  
SKU - LOOP-SPHR-IV-DG-TBL-01-EU





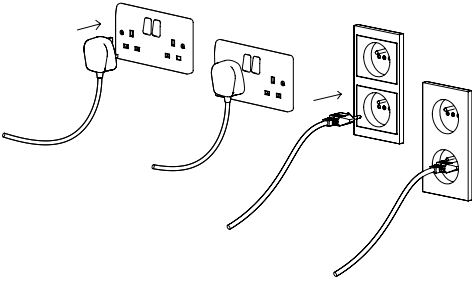
### STEP 3- UK ONLY

Insert the EU plug into the UK Adapter, making sure it clicks-in and does not come loose.



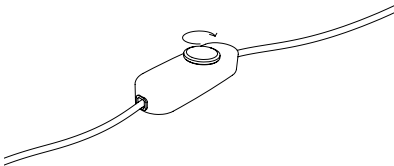
### STEP 4

Insert the lamp plug into your chosen wall socket, making sure the power is switched off.



### STEP 5

Switch the power on and rotate the dial on your dimmer until the bulb lights up. Adjust the dimmer for your desired light output.



## CARE AND CLEANING


We recommend cleaning with a soft dry cloth.

Do not use abrasive materials as these will damage the finish of the product. Do not use alcohol or other solvents.

## WARRANTY AND AFTER-CARE

This product has a two-year warranty. If there appears to be a functional defect with the product during this time, please contact our team at [customerservice@tala.co.uk](mailto:customerservice@tala.co.uk).

---

This symbol  indicates that electrical and electronic equipment (WEEE) should not be mixed with general household waste. For recovery and recycling, please take this product to a designated collection point where it will be accepted free of charge. Many retailers offer this in-store. Disposing of this product correctly will help save valuable resources and prevent any potential negative effects on human health and the environment.

## Join the Community

Instagram: @tala | Facebook: talaHQ | Pinterest: TalaLED | Tag: lighttoliveby  
Tala Studios, 25B Vyner Street, London E2 9DG | [hello@tala.co.uk](mailto:hello@tala.co.uk)  
Tala Europe B.V, Bertus Aafjeshove 40, Nieuwegein 3437JN, Netherlands