

Installation Guide

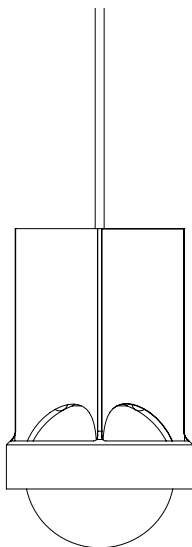
LOOP PENDANT

Thoughtful lighting, responsibly designed in London.

Thank you for making the switch to Tala.
Discover the full Tala family at tala.co.uk

BEFORE STARTING

We advise the fitting of our ceiling rose and pendant to be performed by a qualified electrician. Please read through these instructions before commencing work, and keep them for future reference. Please take extreme care when carrying out these instructions.



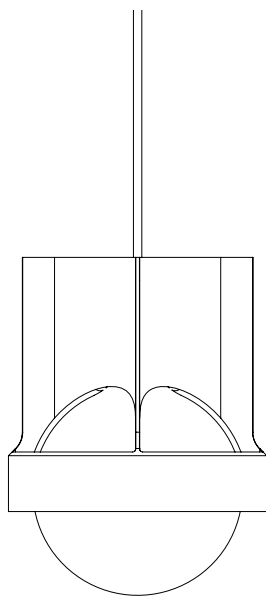
IMPORTANT

This light fitting must be connected to the supply earth.

If your lighting circuit does not have an earth, ask a qualified electrician to provide an earth facility. This light fitting is suitable for indoor use only. This fitting operates on 240V mains voltage. Please visit our website to see our recommended dimmers.

WARNING

Always switch off electricity supply at the mains during installation and maintenance. We recommend that the fuse is withdrawn or the circuit breaker is switched off whilst work is in progress. Do not just turn off at the wall switch. All fittings must be installed in accordance with current Building Regulations and IEE Wiring Regulations.



RECOMMENDED EQUIPMENT

- Small flat head screwdriver
- Wire strippers
- Insulation tape

Further equipment may be required to install fixture to ceiling.

FOR INDOOR USE ONLY

SKU - LOOP-SPHR-III-GD-PD-01-EU

SKU - LOOP-SPHR-III-SL-PD-01-EU

SKU - LOOP-SPHR-III-DG-PD-01-EU

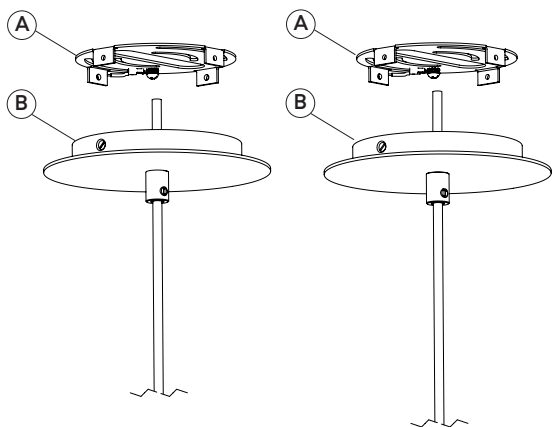
SKU - LOOP-SPHR-IV-GD-PD-01-EU

SKU - LOOP-SPHR-IV-SL-PD-01-EU

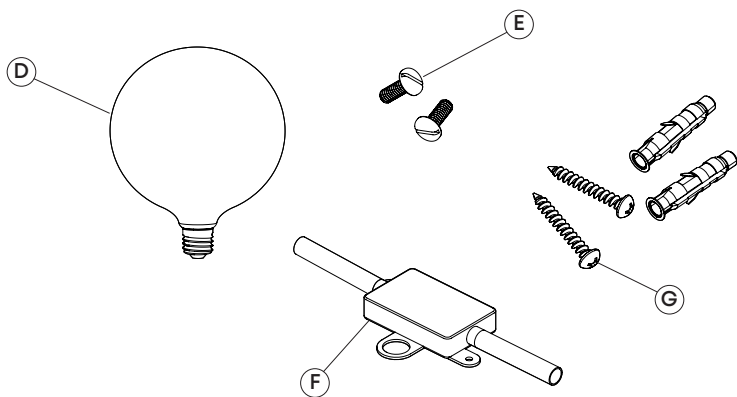
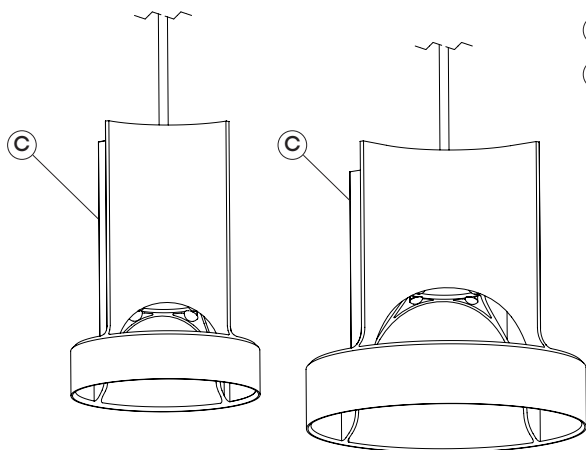
SKU - LOOP-SPHR-IV-DG-PD-01-EU



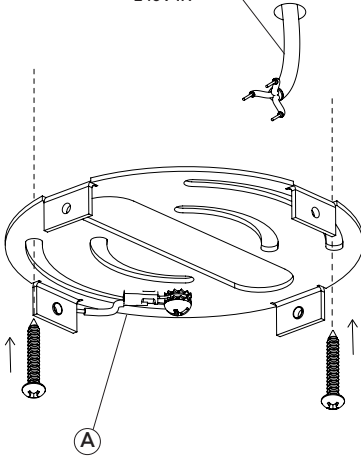
Loop Pendant Light - Provided Components



- (A) x1 Ceiling Bracket
- (B) x1 Ceiling Plate
- (C) x1 Loop Pendant
- (D) x1 Tala Sphere bulb
- (E) x2 Flat head bolts
- (F) x1 Junction Box
- (G) Screws and rawl plugs



Mains supply

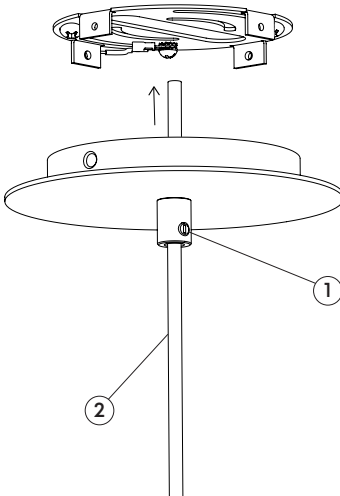


STEP 1

Attach **(A)** to the ceiling using screws and plugs. Always choose screws and plugs that are appropriate for the ceiling.

STEP 2

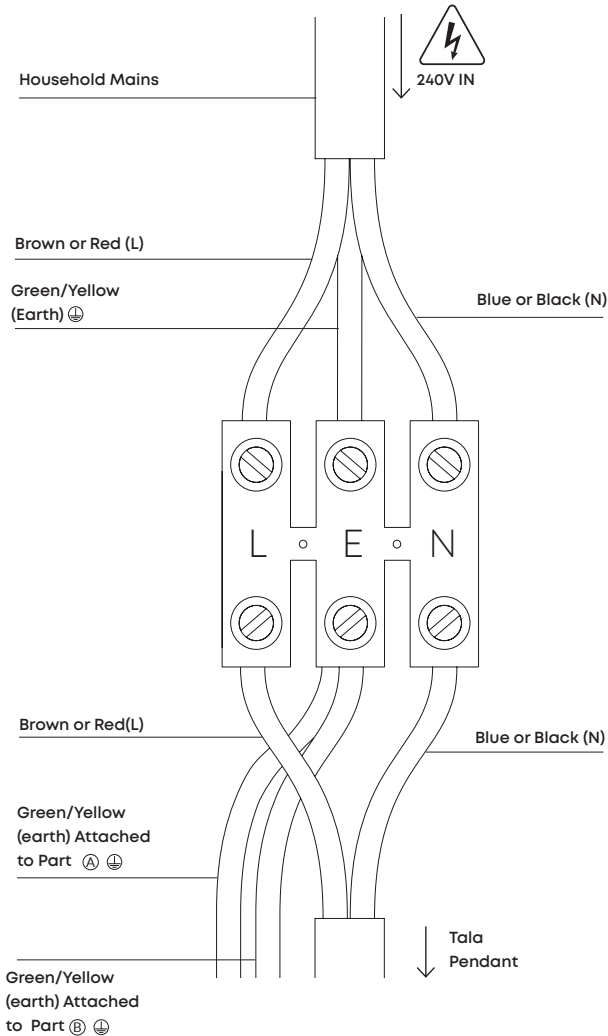
Loosen the grub screw **(1)** and adjust the cable **(2)** to your desired length and trim if necessary.

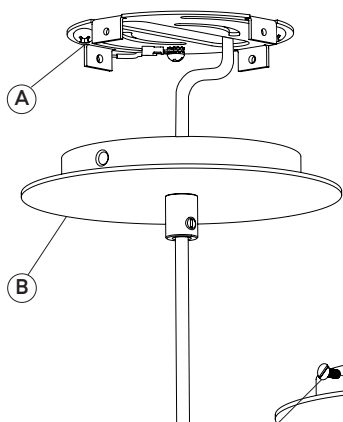


Using a flat head screw driver, tighten grub screw **(1)**. This will secure the cable in place. Maintain all double insulation.

STEP 3

First identify your household wiring using current Building Regulations and IEE Wiring Regulations. Attach the pendant wiring to your household supply as shown. Use an appropriate junction box.

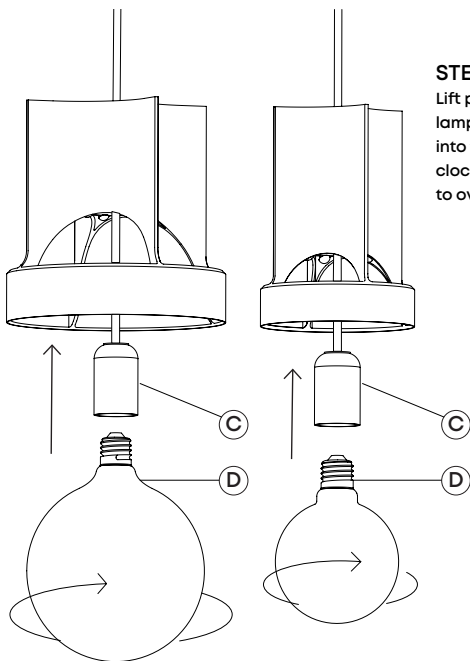
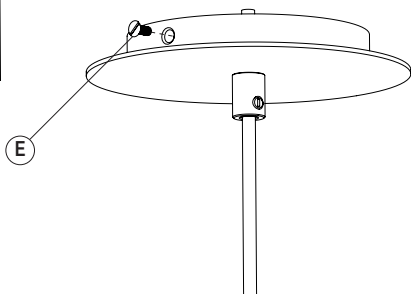




STEP 4

Fasten part (A) to part (B) using the bolts provided (E).

At this stage, final adjustments can be made to the suspension cord and electrical cable length.

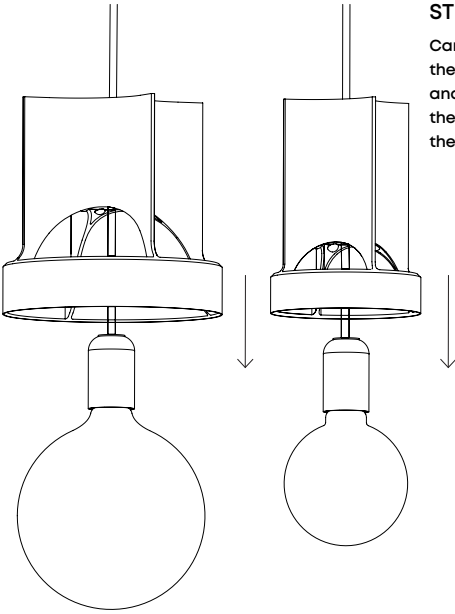


STEP 5

Lift pendant (C) to reveal the lampholder. Insert the bulb (D) into the lampholder and rotate clockwise until tight. Take care not to over tighten to avoid breakage.

STEP 6

Carefully lower the pendant down the cable onto the lampholder and bulb until the rubber pads on the pendant rest comfortably on the bulb.




CARE AND CLEANING

We recommend cleaning with a soft dry cloth.

Do not use abrasive materials as these will damage the finish of the product. Do not use alcohol or other solvents.

WARRANTY AND AFTER-CARE

This product has a two-year warranty. If there appears to be a functional defect with the product during this time, please contact our team at customerservice@tala.co.uk.

This symbol  indicates that electrical and electronic equipment (WEEE) should not be mixed with general household waste. For recovery and recycling, please take this product to a designated collection point where it will be accepted free of charge. Many retailers offer this in-store. Disposing of this product correctly will help save valuable resources and prevent any potential negative effects on human health and the environment.

Join the Community

Instagram: @tala | Facebook: talaHQ | Pinterest: TalaLED | Tag: lighttoliveby

Tala Studios, 25B Vyner Street, London E2 9DG | hello@tala.co.uk

Tala Europe B.V, Bertus Aafjeshove 40, Nieuwegein 3437JN, Netherlands