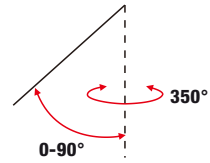


## **KIWI** LED Downlight Adjustable

- **E**xtensive collection features minimalism, functionality and versatility
- Flexible for lighting schemes in retail or residential spaces



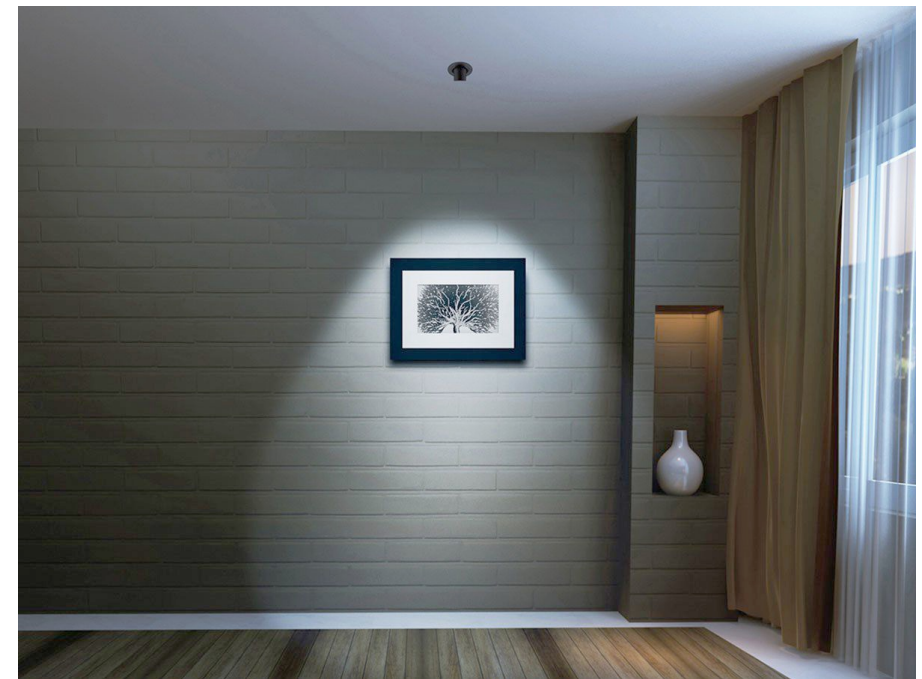




**K1X30** Ø=30

**K1X55** Ø=55

**K1X70** Ø=70



**K1X30**



Black      White      Gold

**K1X55**

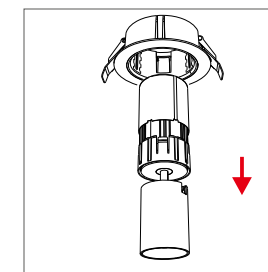
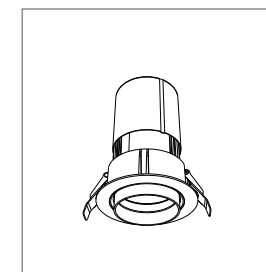


Black      White      Gold

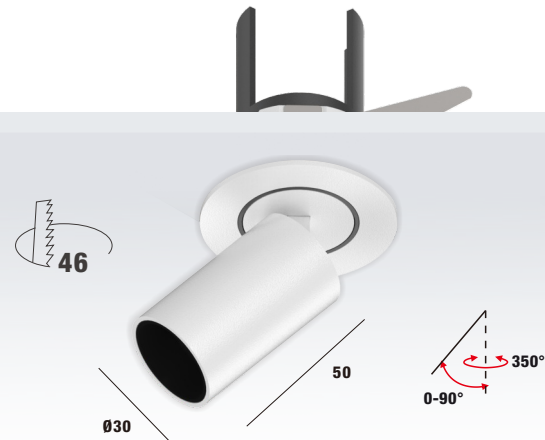
**K1X70**



Black      White      Gold



LED engine can be removed separately



### Quickinfo

#### GENERAL

recessed  
adjustable

#### LED

SMD LED module  
2700K, 3000K, 4000K  
CRI > 80, CRI > 90  
Bining < 3-Step MacAdam

#### ESTIMATED LED LIFETIME

L80 / 50,000h

#### OPTICAL

direct illumination  
beam angle 15°, 30°, 55°

#### PHYSICAL

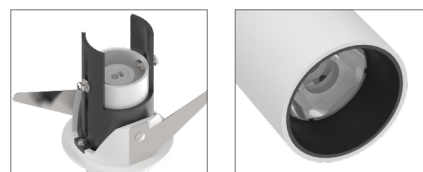
aluminium  
powder coating

### Function

Miniature size with cutout of 46mm . 350° rotatable and 90° tiltable.  
Extensive collection features minimalism, functionality and versatility.  
Flexible for lighting schemes in retail or residential spaces.  
Recessed or surface mounted light applications to meet multiple lighting requirements.

High quality optical lens with spot, narrow and medium beam angles.  
Interchangeable decoration ring with choice of black, white and gold colours.

### Features



Delicate light engine  
High quality anti-glare ring

### Order options

#### COLOUR TEMPERATURE

2700K  
3000K  
4000K

#### COLOUR RENDERING INDEX

CRI 80  
CRI 90

#### ELECTRICAL

non DIM  
phase DIM  
1-10V  
DALI

#### LENS



#### DECORATION RING



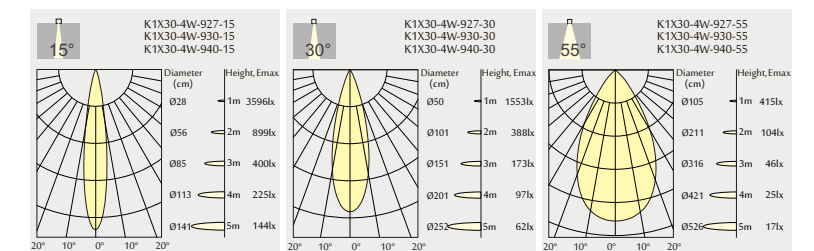
### K1X30

3000K  
(Standard)



### Light distribution for 3000K

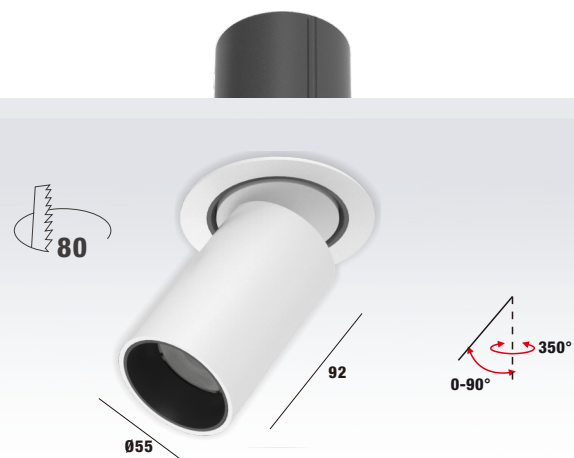
#### 4W 300 lm-350 lm



#### Order Information

##### K1X30-4W 350 Lm MODELS (With CREE LED)

| Code            | LED output | Module output | CD      | LED Power | System Power | CRI | CCT   | BEAM |
|-----------------|------------|---------------|---------|-----------|--------------|-----|-------|------|
| K1X30-4W-927-15 | 400 lm     | 300 lm        | 2518 cd | 4 W       | 6 W          | 90  | 2700K | 15°  |
| K1X30-4W-930-15 | 420 lm     | 320 lm        | 2754 cd | 4 W       | 6 W          | 90  | 3000K | 15°  |
| K1X30-4W-940-15 | 450 lm     | 350 lm        | 2990 cd | 4 W       | 6 W          | 90  | 4000K | 15°  |
| K1X30-4W-927-30 | 400 lm     | 300 lm        | 1087 cd | 4 W       | 6 W          | 90  | 2700K | 30°  |
| K1X30-4W-930-30 | 420 lm     | 320 lm        | 1189 cd | 4 W       | 6 W          | 90  | 3000K | 30°  |
| K1X30-4W-940-30 | 450 lm     | 350 lm        | 1291 cd | 4 W       | 6 W          | 90  | 4000K | 30°  |
| K1X30-4W-927-55 | 400 lm     | 260 lm        | 309 cd  | 4 W       | 6 W          | 90  | 2700K | 55°  |
| K1X30-4W-930-55 | 420 lm     | 280 lm        | 328 cd  | 4 W       | 6 W          | 90  | 3000K | 55°  |
| K1X30-4W-940-55 | 450 lm     | 300 lm        | 361 cd  | 4 W       | 6 W          | 90  | 4000K | 55°  |



### Quickinfo

#### GENERAL

recessed  
adjustable

#### LED

COB LED module  
2700K, 3000K, 4000K  
CRI > 80, CRI > 90  
Bining < 3-Step MacAdam

#### ESTIMATED LED LIFETIME

L80 / 50,000h

#### OPTICAL

direct illumination  
beam angle 18°, 24°, 36°

#### PHYSICAL

aluminium  
powder coating

### Function

Medium size with cutout of 80mm . Extensive collection features minimalism, functionality and versatility. Flexible for lighting schemes in retail or residential spaces. Recessed or surface mounted light applications to meet multiple lighting requirements.

350° rotatable and 90° tiltable. High quality optical lens with spot, narrow and medium beam angles Interchangeable decoration ring with choice of black, white and gold colours.

### Features



Reliable spring clip fixing mechanism  
Skimmed into plaster-board ceiling (trimless)

### Order options

#### COLOUR TEMPERATURE

2700K  
3000K  
4000K

#### COLOUR RENDERING INDEX

CRI 80  
CRI 90

#### ELECTRICAL

non DIM  
phase DIM  
1-10V  
DALI

#### LENS



#### TRIM



Trim (Standard)

#### DECORATION RING



Black White Gold

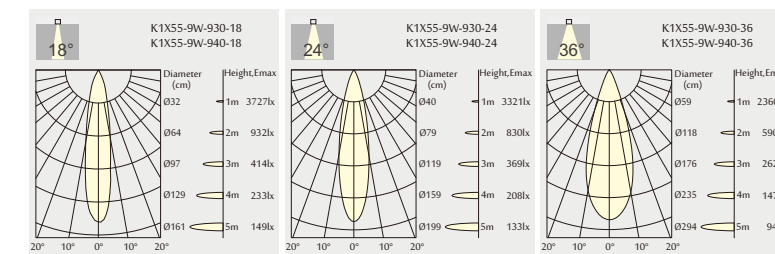
### K1X55

3000K  
(Standard)



### Light distribution for 3000K

9W 720 lm-800 lm

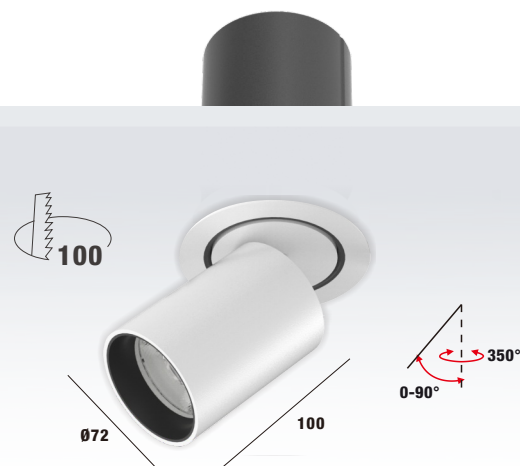


#### Order Information

##### K1X55-9W 720 Lm MODELS

(CITIZEN LED)

| Code            | LED output | Downlight output | LED Voltage | LED Current | LED Power | System Power | CRI | CCT   | BEAM |
|-----------------|------------|------------------|-------------|-------------|-----------|--------------|-----|-------|------|
| K1X55-9W-930-18 | 950 lm     | 720 lm           | 36 V        | 260 mA      | 9 W       | 11 W         | 90  | 3000K | 18°  |
| K1X55-9W-940-18 | 1050 lm    | 800 lm           | 36 V        | 260 mA      | 9 W       | 11 W         | 90  | 4000K | 18°  |
| K1X55-9W-930-24 | 950 lm     | 720 lm           | 36 V        | 260 mA      | 9 W       | 11 W         | 90  | 3000K | 24°  |
| K1X55-9W-940-24 | 1050 lm    | 800 lm           | 36 V        | 260 mA      | 9 W       | 11 W         | 90  | 4000K | 24°  |
| K1X55-9W-930-36 | 950 lm     | 720 lm           | 36 V        | 260 mA      | 9 W       | 11 W         | 90  | 3000K | 36°  |
| K1X55-9W-940-36 | 1050 lm    | 800 lm           | 36 V        | 260 mA      | 9 W       | 11 W         | 90  | 4000K | 36°  |



### Quickinfo

#### GENERAL

recessed  
adjustable

#### LED

COB LED module  
2700K, 3000K, 4000K  
CRI > 80, CRI > 90  
Bining < 3-Step MacAdam

#### ESTIMATED LED LIFETIME

L80 / 50,000h

#### OPTICAL

direct illumination  
beam angle 15°, 25°, 30°

#### PHYSICAL

aluminium  
powder coating

### Function

Large size with cutout of 100mm. Extensive collection features minimalism, functionality and versatility. Flexible for lighting schemes in retail or residential spaces. Recessed or surface mounted light. applications to meet multiple lighting requirements.

350° rotatable and 90° tiltable. High quality optical lens with spot, narrow and medium beam angles. Interchangeable decoration ring with choice of black, white and gold colours.

### Features



Reliable spring clip fixing mechanism  
Skimmed into plaster-board ceiling (trimless)

### Order options

#### SYSTEM POWER

15W  
21W

#### COLOUR TEMPERATURE

2700K  
3000K  
4000K

#### COLOUR RENDERING INDEX

CRI 80  
CRI 90

#### ELECTRICAL

non DIM  
phase DIM  
1-10V  
DALI

#### LENS



15° Beam 25° Beam 30° Beam

#### TRIM



Trim (Standard)

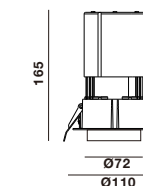
#### DECORATION RING



Black White Gold

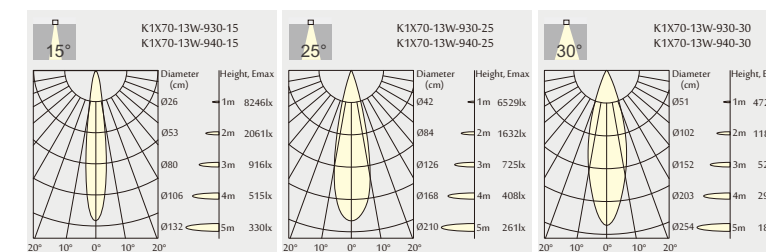
### K1X70

3000K  
(Standard)



### Light distribution for 3000K

13W 1200 lm-1300 lm

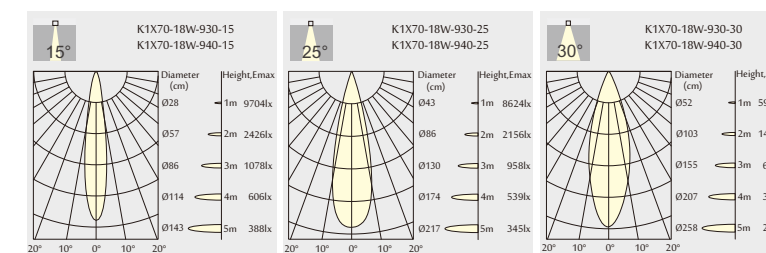


#### Order Information

##### K1X70-13W 1200 Lm MODELS (CITIZEN LED)

| Code             | LED output | Downlight output | LED Voltage | LED Current | LED Power | System Power | CRI | CCT   | BEAM |
|------------------|------------|------------------|-------------|-------------|-----------|--------------|-----|-------|------|
| K1X70-13W-930-15 | 1500 lm    | 1200 lm          | 36 V        | 350 mA      | 13 W      | 15 W         | 90  | 3000K | 15°  |
| K1X70-13W-940-15 | 1600 lm    | 1300 lm          | 36 V        | 350 mA      | 13 W      | 15 W         | 90  | 4000K | 15°  |
| K1X70-13W-930-25 | 1500 lm    | 1200 lm          | 36 V        | 350 mA      | 13 W      | 15 W         | 90  | 3000K | 25°  |
| K1X70-13W-940-25 | 1600 lm    | 1300 lm          | 36 V        | 350 mA      | 13 W      | 15 W         | 90  | 4000K | 25°  |
| K1X70-13W-930-30 | 1500 lm    | 1200 lm          | 36 V        | 350 mA      | 13 W      | 15 W         | 90  | 3000K | 30°  |
| K1X70-13W-940-30 | 1600 lm    | 1300 lm          | 36 V        | 350 mA      | 13 W      | 15 W         | 90  | 4000K | 30°  |

#### 18 W 1600lm-1700lm



#### Order Information

##### K1X70-18W 1600 Lm MODELS (CITIZEN LED)

| Code             | LED output | Module output | CD       | LED Power | System Power | CRI | CCT   | BEAM |
|------------------|------------|---------------|----------|-----------|--------------|-----|-------|------|
| K1X70-18W-930-15 | 2000 lm    | 1600 lm       | 9709cd   | 18 W      | 21 W         | 90  | 3000K | 15°  |
| K1X70-18W-940-15 | 2100 lm    | 1700 lm       | 10616 cd | 18 W      | 21 W         | 90  | 4000K | 15°  |
| K1X70-18W-930-25 | 2000 lm    | 1600 lm       | 8624 cd  | 18 W      | 21 W         | 90  | 3000K | 25°  |
| K1X70-18W-940-25 | 2100 lm    | 1700 lm       | 9494 cd  | 18 W      | 21 W         | 90  | 4000K | 25°  |
| K1X70-18W-930-30 | 2000 lm    | 1600 lm       | 5939 cd  | 18 W      | 21 W         | 90  | 3000K | 30°  |
| K1X70-18W-940-30 | 2100 lm    | 1700 lm       | 6837 cd  | 18 W      | 21 W         | 90  | 4000K | 30°  |