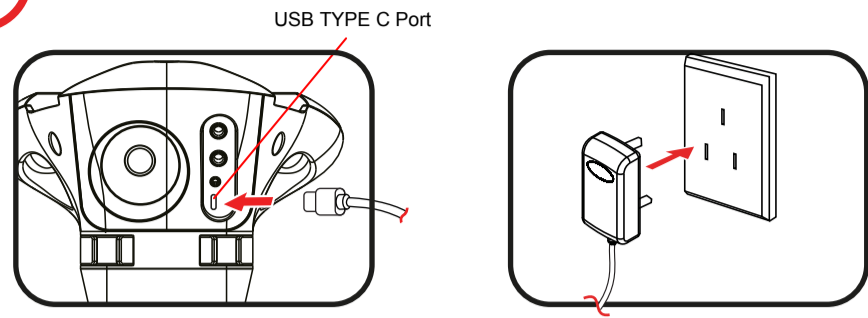
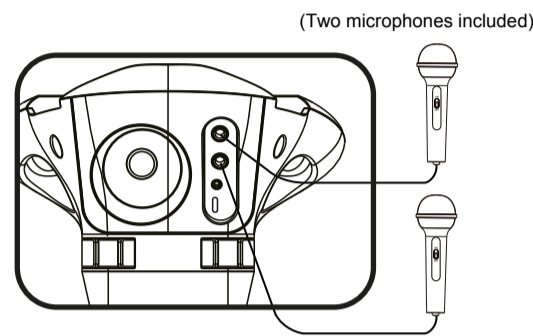


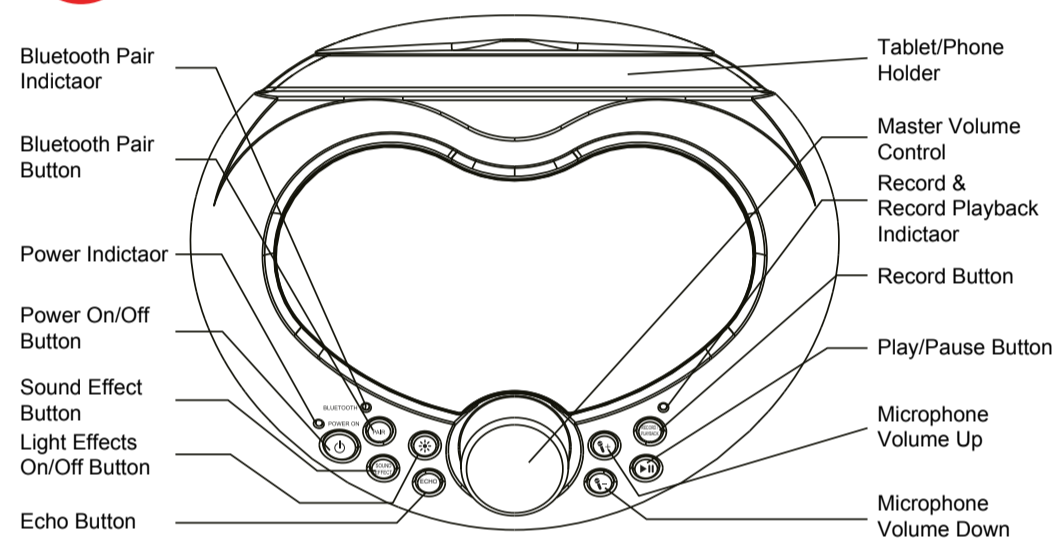
## 2 Connect to Mains



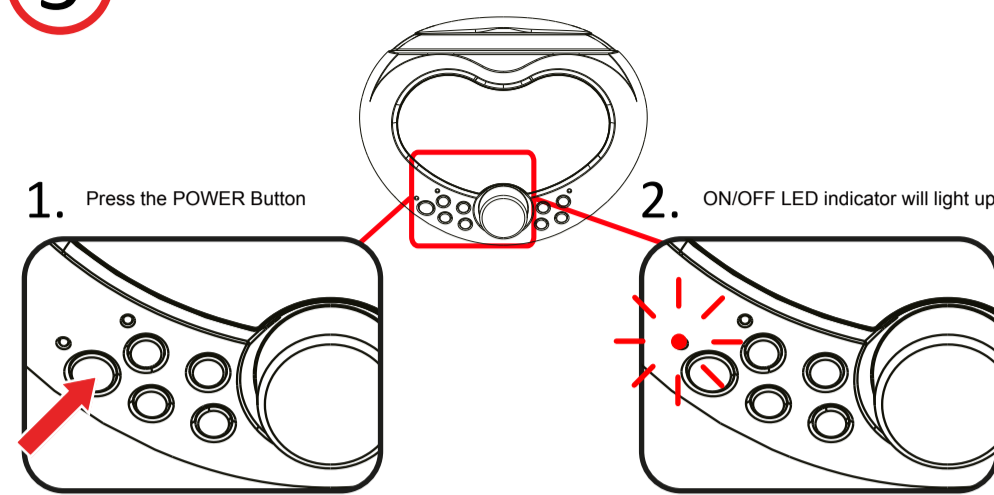
## 3 Connecting Your Microphones



## 4 Control Panel

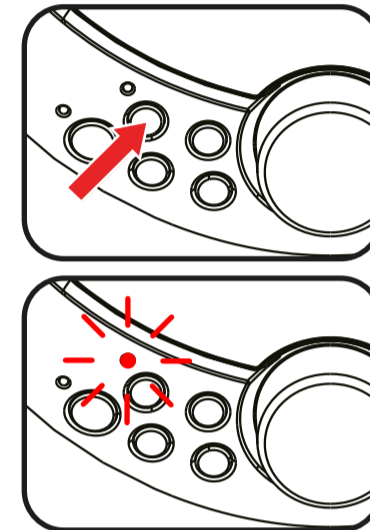


## 5 Turn On the Power



## 6 Bluetooth Operation

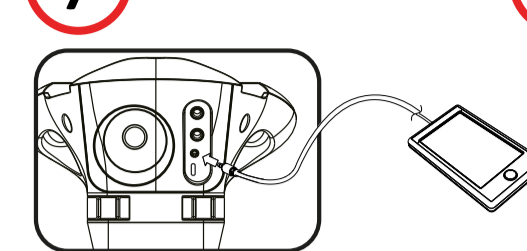
1. Press the Pair Button. The Bluetooth indicator will blink rapidly to indicate it is in pairing mode when the unit is turned on.
2. The unit automatically searches for and pairs a previously paired Bluetooth device (if previously paired). If no previously paired devices are present, connect as shown in the next step. Switch on the Bluetooth function of your Bluetooth compatible device within three feet of the unit. You will see "CE977-B" appear on your device's search list. Select "CE977-B" to start pairing. Wait for completion of the pairing and the Bluetooth indicator will stay lit and a tone heard. Please always refer to the user manual of your bluetooth device for detailed instructions.



### Notes:

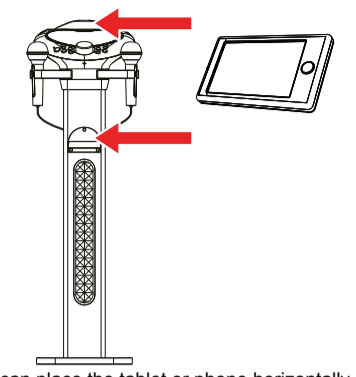
- If your Bluetooth device prompts you for a passcode during the pairing process, please enter "0000" to connect. If pairing fails, repeat steps. If you have paired before, a list of previously searched results will be displayed. Select "CE977-B" again. On some Bluetooth devices (i.e., computers), once pairing is complete, you must select your Bluetooth device as "Use as Audio Device" or similar.
- To avoid excessive over amplified sound output, it is recommended that the volume control is initially adjusted to one third or less and then increase if required.
- During Bluetooth operation, DO NOT plug the audio cable into the AUX IN jack, otherwise it will turn to AUX IN mode.
- If pairing failed, try pressing and holding the PAIR button to restart pairing.
- PLAY/PAUSE: Press the Play/Pause button on the Bluetooth device or ►|| button on the unit.

## 7 Aux Connection



Connect the audio device to the LINE IN jack on the rear of the unit. It will allow the audio to be played through your unit. The mode automatically changed to Aux mode once Line in jack connected. Adjust the volume to a comfortable level using the Master Volume control. Disconnected the line in to return to normal operation mode.

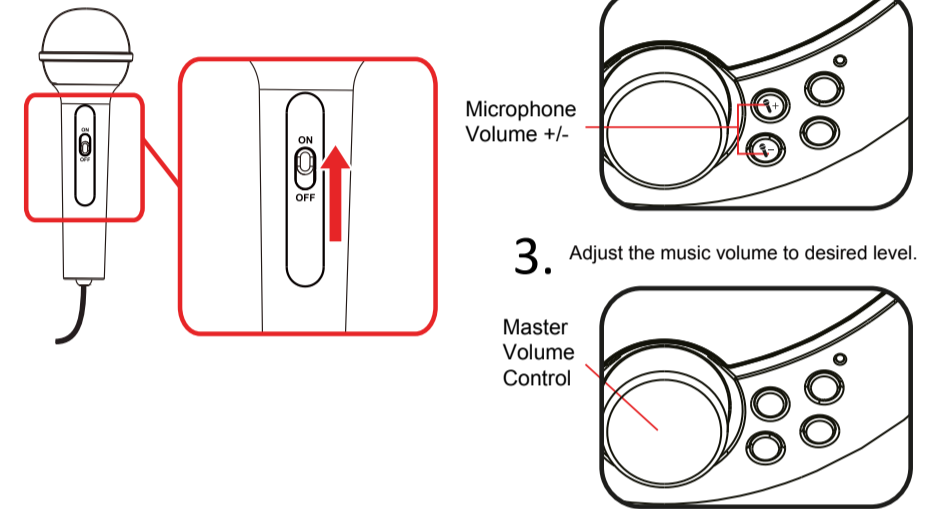
## 8 Tablet/Phone Holder



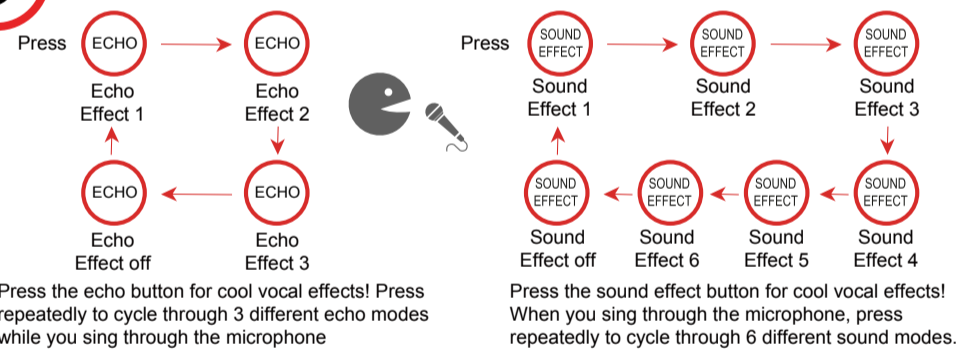
You can place the tablet or phone horizontally (recommended) on the tablet holder during Bluetooth or Aux connection.

## 9 Singalong

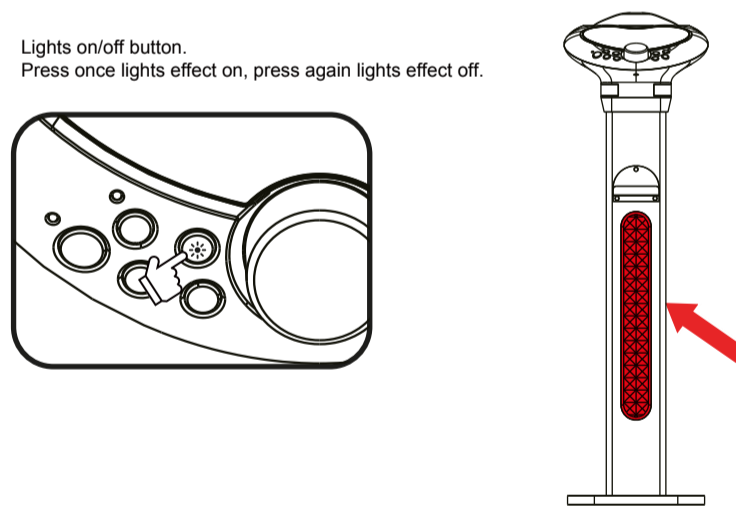
1. Connected the microphone/s to your unit and switch the microphone to ON position.
2. Adjust the microphone volume to desired level.
3. Adjust the music volume to desired level.
4. Singalong with music from other audio device through Bluetooth. Please refer to Bluetooth Operation previously described. Now you can singalong with the built-in music.
5. Singalong with music from other audio device through line in jack. Please refer to Aux Connection previously described. Now you can singalong with the built-in music.



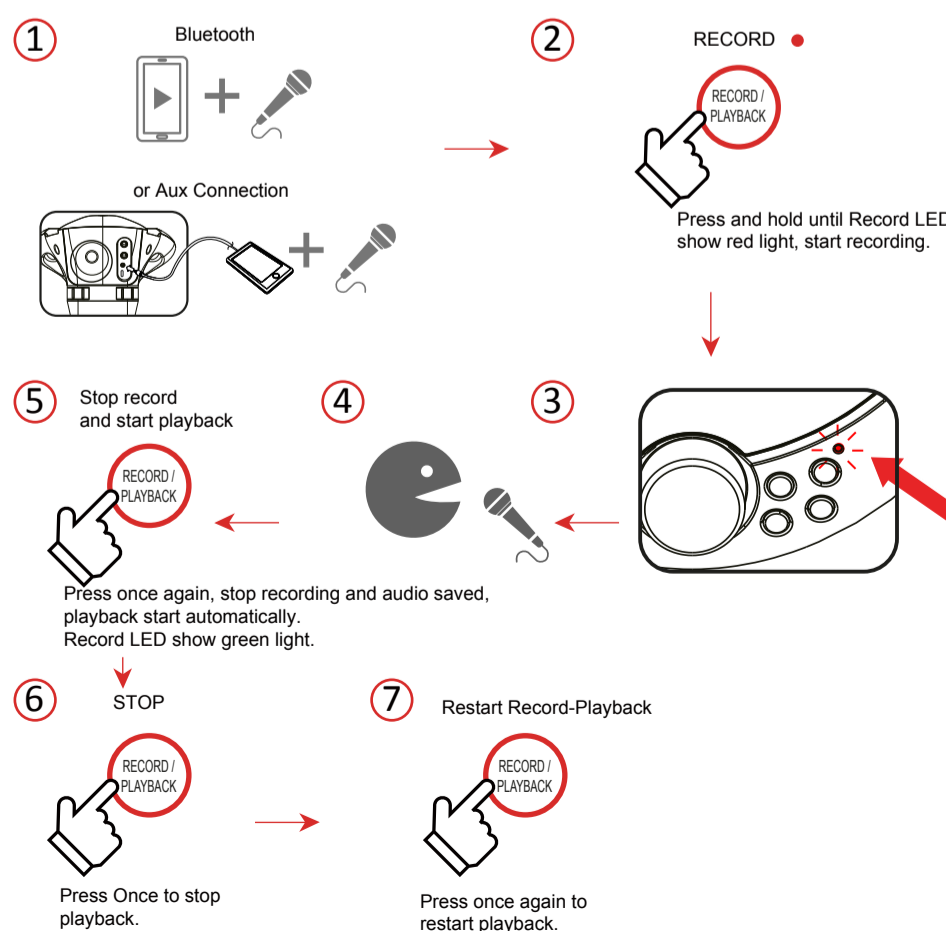
## 9 Echo and Sound Effects



## 11 Light Effects On/Off



## 10 Record and Playback



## 12 Specifications

**GENERAL**  
**Power Adaptor:**  
 DC 5V --- 1A

**Power Output**  
 1 X 2W (RMS)

**Line-in**  
 3.5mm

**Dimensions (W x H x D):**  
 Approx. (W) 242 x (H) 826 x (D) 192 mm/  
 Approx. (W) 9.6" x (H) 32.6" x (D) 7.6"

**Net Weight:**  
 6.1 lb/ 2.75 kg



STREAM 1000'S OF KARAOKE SONGS  
 DOWNLOAD THE EASY KARAOKE APP

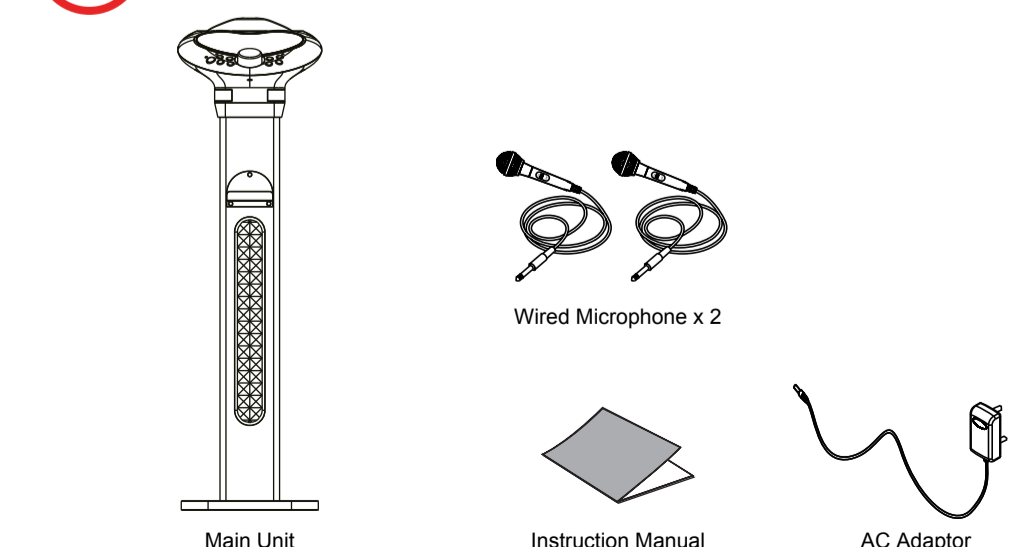
Please scan the QR code for the ultimate karaoke experience providing you with thousands of free HD quality karaoke songs direct to your smartphone or tablet using our smart karaoke app.

New songs are added every week so keep logging in to keep your collection up top date. If you prefer to use a laptop, PC or Mac please go to:  
[www.easykaraoke.co.uk](http://www.easykaraoke.co.uk)

**John Hornby Skewes & Co. Ltd.**  
 Salem House, Parkinson Approach, Garforth, Leeds LS25 2HR, United Kingdom.  
[www.jhs.co.uk](http://www.jhs.co.uk)  
 Authorised EU Representative: Pieters Musical Agencies  
 Sparrekear 19, 5467 JP Veghel, Netherlands

UK CA CE RoHS

## 1 Check the Contents



**Bluetooth Pedestal Karaoke with Light Effects, Record & Playback Features**

**EKS977BT**  
**Instruction Manual**