

# BIO WASH

Installation Manual

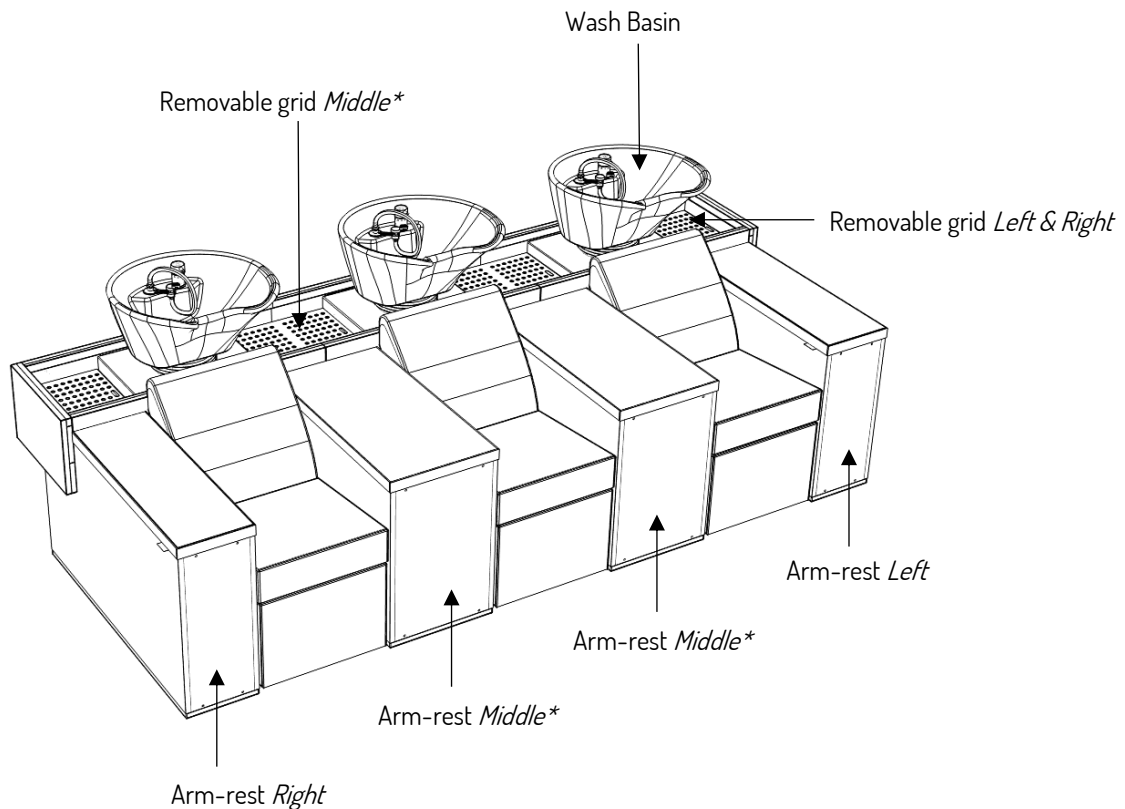
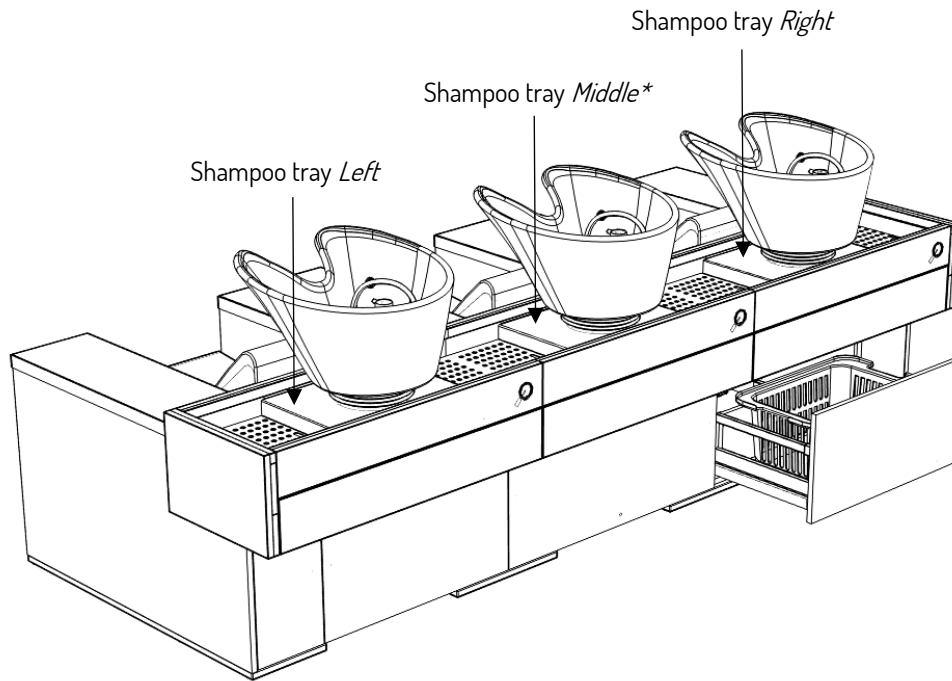


# Index

|  |    |
|--|----|
| Product Overview .....                       | 3  |
| Piping Check .....                           | 4  |
| 2-seater .....                               | 4  |
| 3-seater .....                               | 4  |
| 4-seater .....                               | 4  |
| Packaging .....                              | 4  |
| 2-seater .....                               | 5  |
| 3-seater .....                               | 5  |
| 4-seater .....                               | 5  |
| Assembling instructions (2-3-4-seater) ..... | 6  |
| Arm-rest installation .....                  | 6  |
| Shampoo tray installation.....               | 9  |
| Installation of drawers.....                 | 11 |

Keep this manual for future reference

Product Overview



\* A Bio Wash 3-seater with electrical leg-rest & massage is used to explain the product.

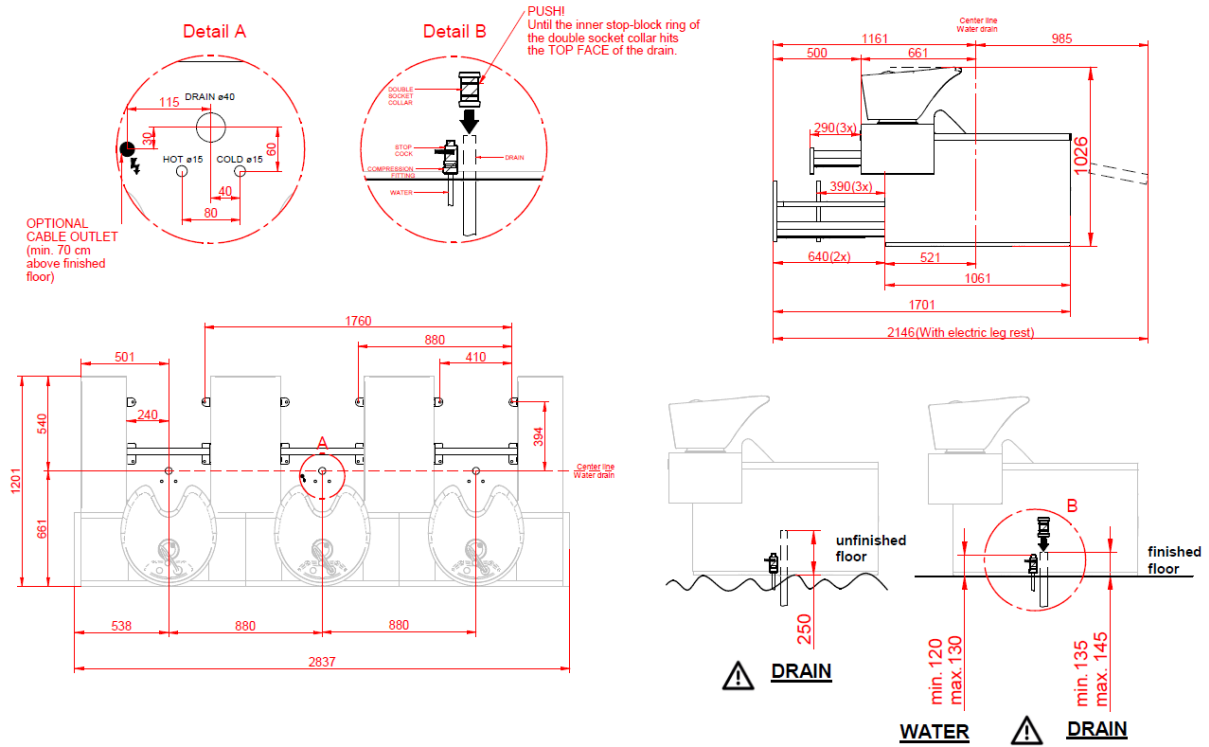
**Bio Wash 2-seater**  
**has not** a Shampoo tray *Middle*  
**has one** Arm-rest *Middle*  
**has one** Removable grid *Middle*

**Bio Wash 4-seater**  
**has two** Shampoo trays *Middle*  
**has three** Arm-rests *Middle*  
**has three** Removable grids *Middle*

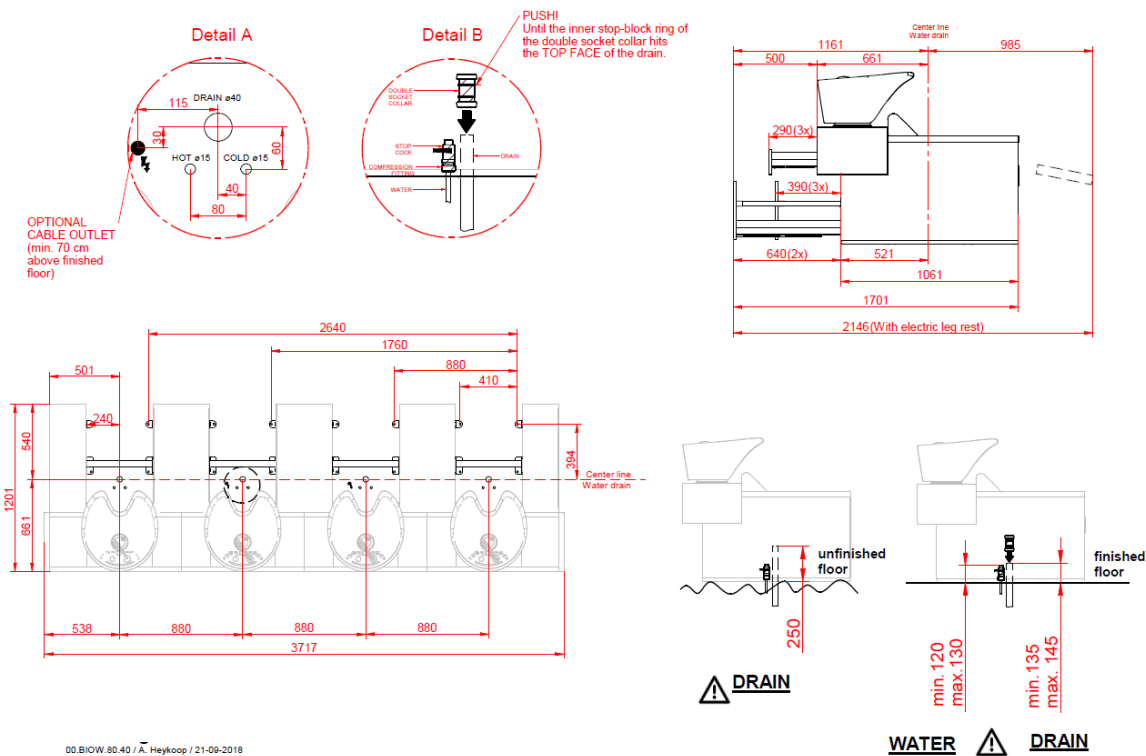
# Piping Check

2-seater

3-seater

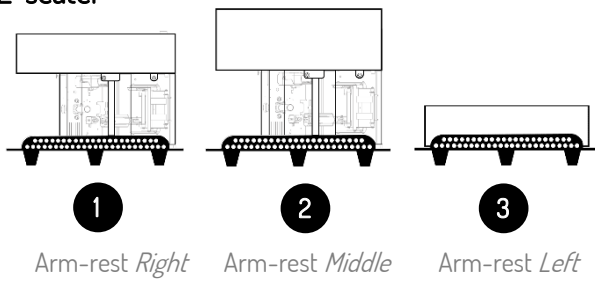


4-seater



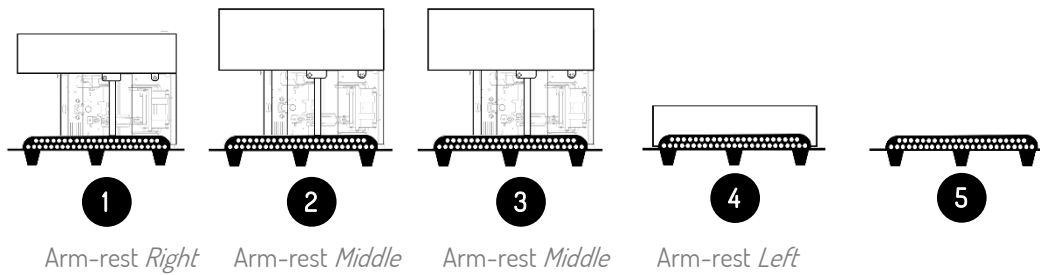
## Packaging

### 2-seater



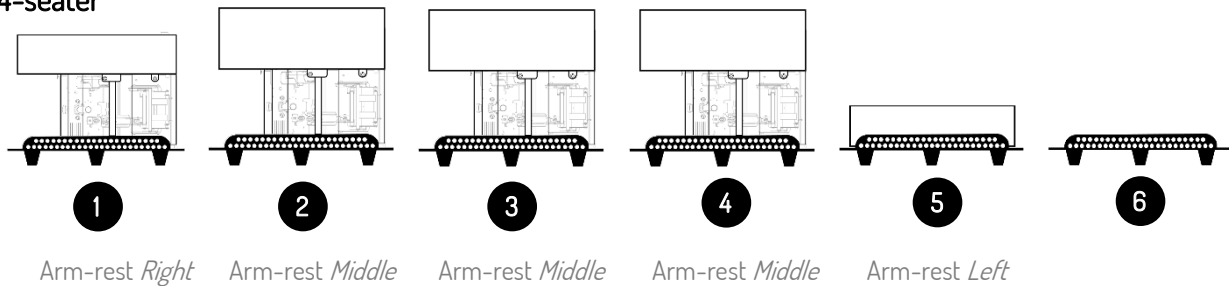
A two-seater Bio Wash is packed on **three** pallets.

### 3-seater



A three-seater Bio Wash is packed on **five** pallets.

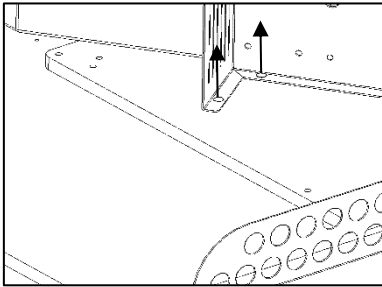
### 4-seater



A four-seater Bio Wash is packed on **six** pallets.

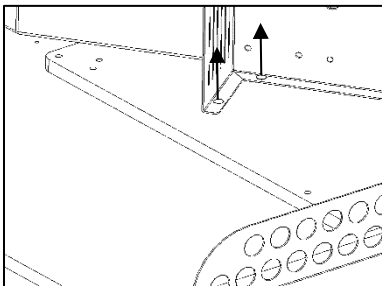
## Assembling instructions (2-3-4-seater)

### Arm-rest installation



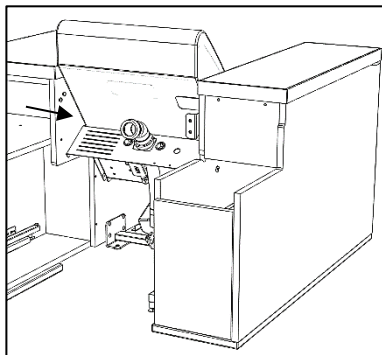
1. Disassemble "Arm-rest *Right*" from Pallet 1

**!! Re-use these countersunk bolts to connect the arm-rests !!**

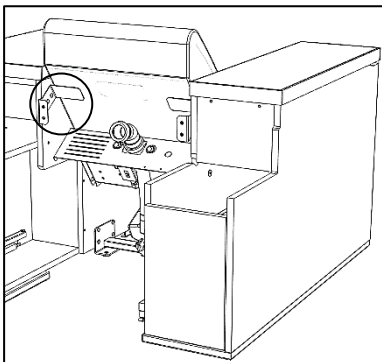


2. Disassemble "Arm-rest *Middle*" from Pallet 2

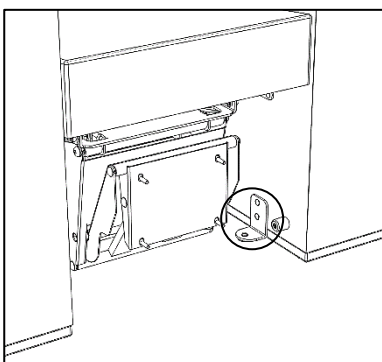
**!! Re-use these countersunk bolts to connect the arm-rests !!**



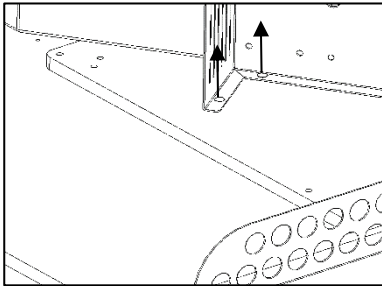
3. Connect "Arm-rest *Middle*" to the metal parts of "Arm-rest *Right*" with the countersunk bolts



4. Mount  to "Arm-rest *Middle*"

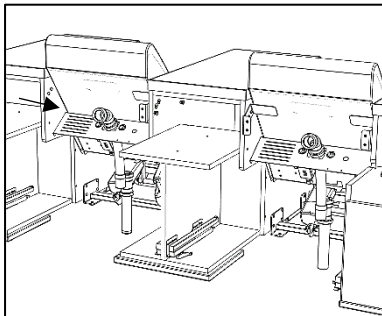


5. Mount  to "Arm-rest *Middle*"

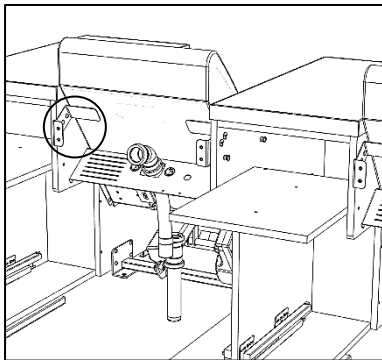


6. Disassemble "Arm-rest *Middle*" from Pallet 3

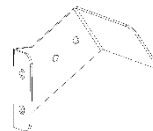
**!! Re-use these countersunk bolts to connect the arm-rests !!**



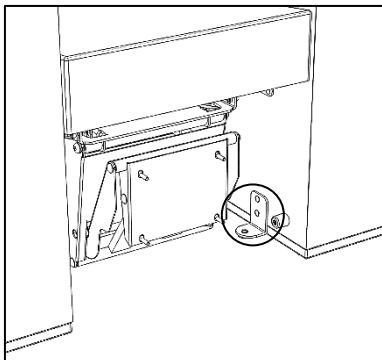
7. Connect "Arm-rest *Middle*" to the metal parts of "Arm-rest *Middle*" with the countersunk bolts



8. Mount



to "Arm-rest *Middle*"



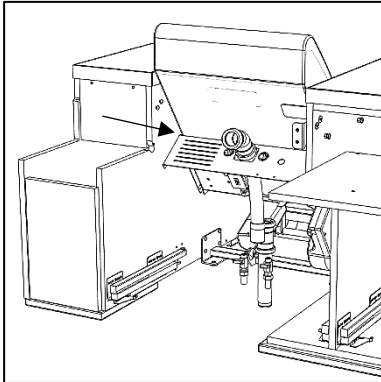
9. Mount



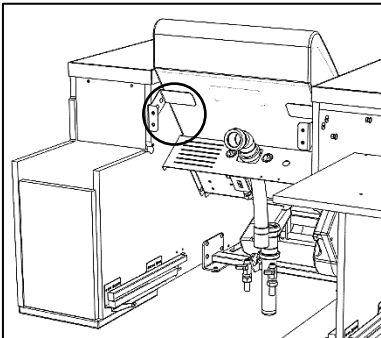
to "Arm-rest *Middle*"

10. **REPEAT** Step 6 until 9 but disassemble "Arm-rest *Middle*" from Pallet 4

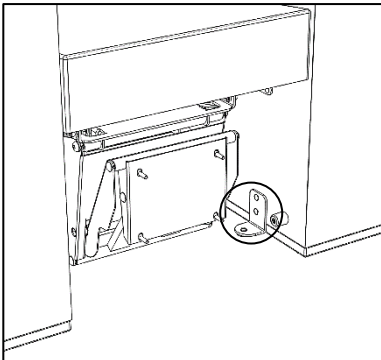
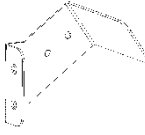
11. Unpack the "Arm-rest *Left*" from the pallet 5



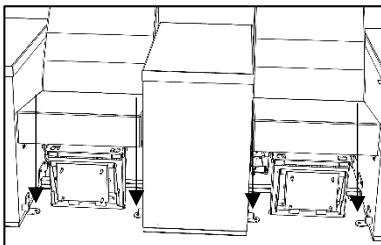
12. Connect "Arm-rest *Left*" to the metal parts of "Arm-rest *Middle*" with the countersunk bolts



13. Mount  to "Arm-rest *Left*"



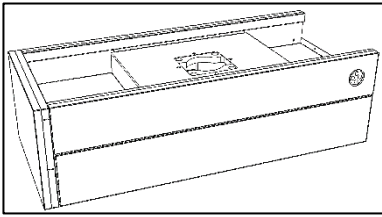
14. Mount  to "Arm-rest *Left*"



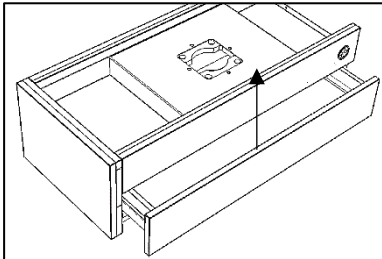
15. **If necessary:** Fixation to the floor



## Shampoo tray installation

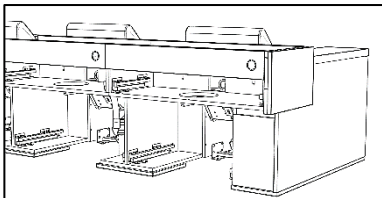


16. Unpack Shampoo trays

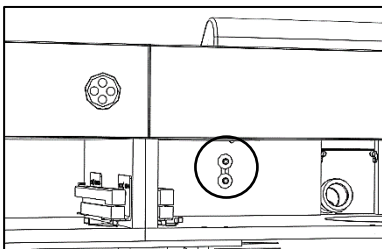


17. Remove drawers from shampoo trays

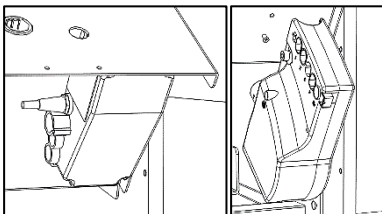
**Tip:** Pull drawer upwards to disconnect the drawer from its drawer guides



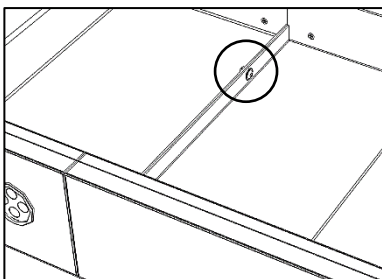
18. Put all Shampoo trays in correct position



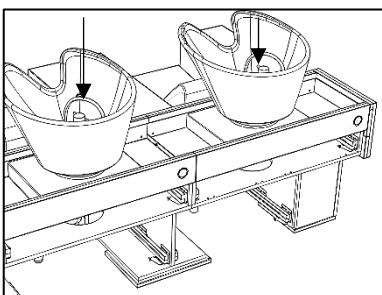
19. Connect all "Shampoo trays" to "Arm rests"



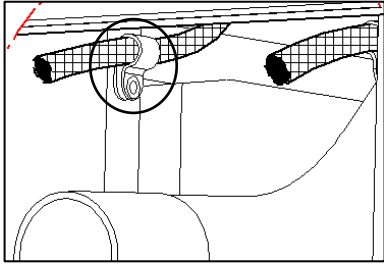
20. Connect cable to control box  
*in case of electrical leg-piece / massage*



21. Connect all Shampoo trays

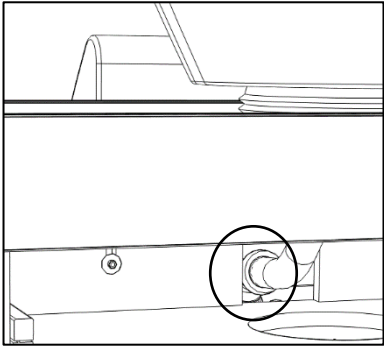


22. Mount all Wash Basins



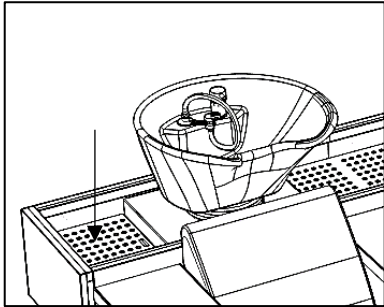
23. Secure water pipes at the correct side

**!! Screw & mount the P-clips with the water hoses ONLY when the wash basin is in the ultimate forward tilt position !!**



24. Install Drain

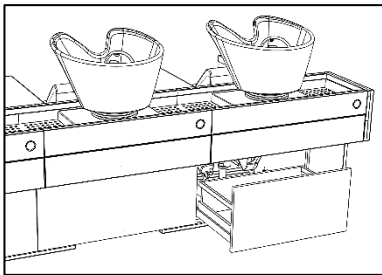
**Tip: Make the end of the 'Drain' wet**



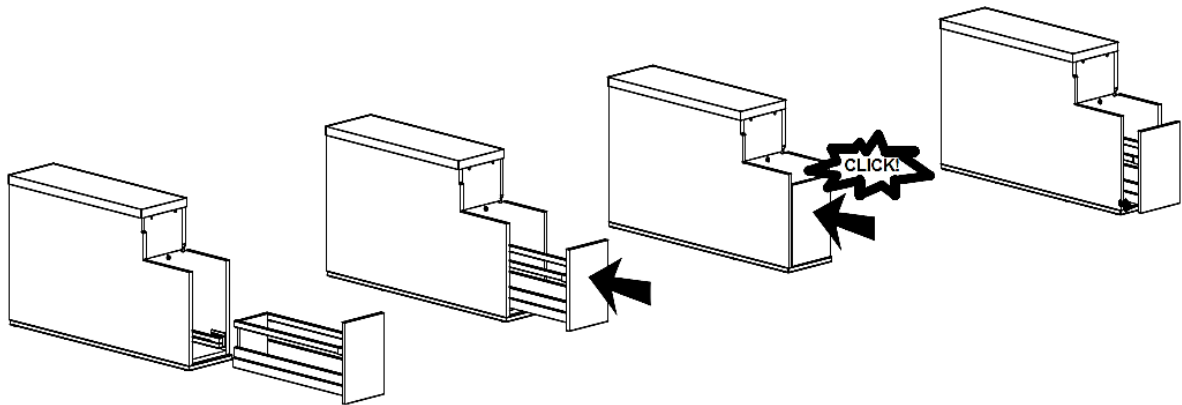
25. Put all "Removable grids" in position

**Tip: Connect water, drain & electricity before installing all drawers.**

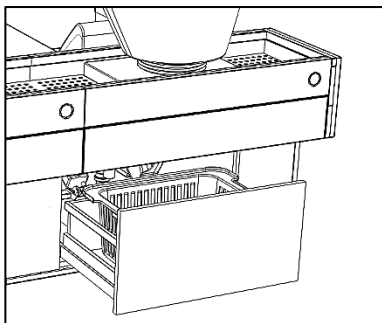
## Installation of drawers



26. Position all drawers



*Explanation*



27. Place baskets & bins within drawers

Keep this manual for future reference