

HA09 HARRINGTON SHOWER ARM



meir.®

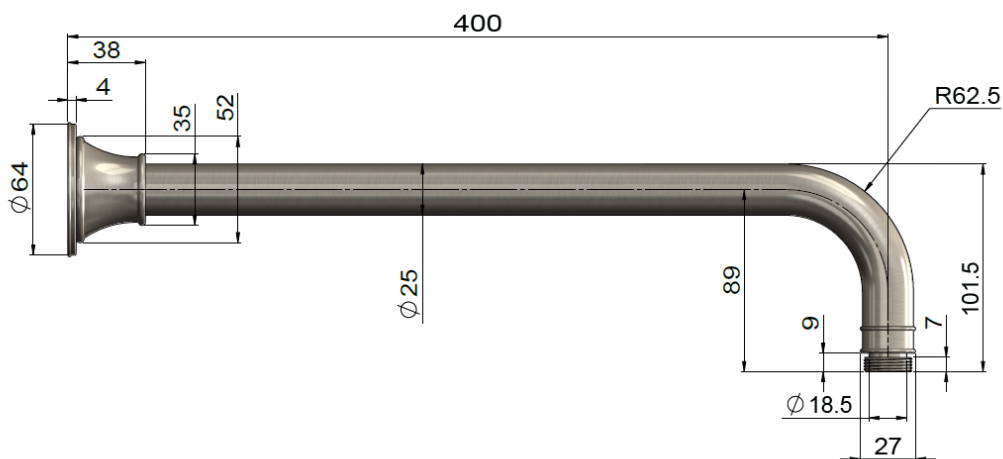
FEATURES

- Refer to the Meir website for warranty terms & conditions, and available finishes.
- Solid brass construction
- Box Weight 0.5kg
- 68mm long 1/2" threaded adapter included **for international ONLY**

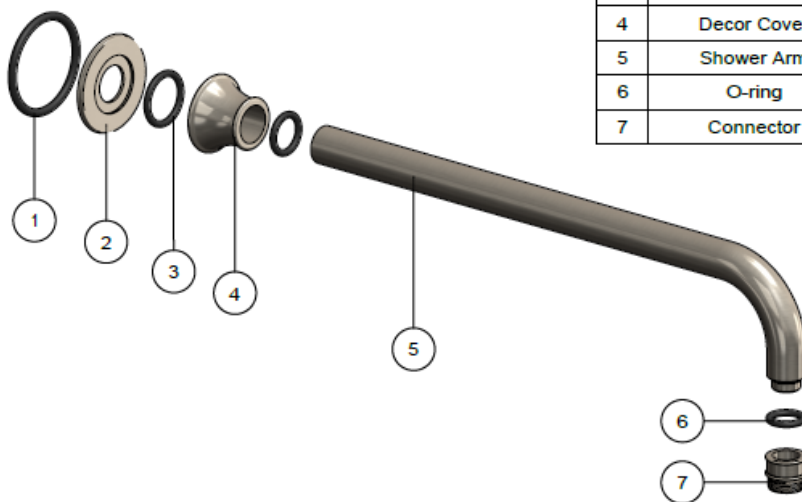
CARE

- Do not install tapware using any form of acetone silicones.
- Do not apply physical items (such as tools) directly to product.
- Never use house-hold or commercial detergents, citrus based cleaners, or abrasive cleaners.
- Clean using a mild washing soap solution rinsed, and dry with a soft cloth.
- Check for any product defects before installation.
- Refer to the installation manual for correct installation.

SPECIFICATIONS



EXPLODED VIEW



No:	Part Name	Qty
1	O-ring	1
2	Base Plate	1
3	O-ring	2
4	Decor Cover	1
5	Shower Arm	1
6	O-ring	1
7	Connector	1