

HB03

HARRINGTON SMALL BASIN MIXER

meir®



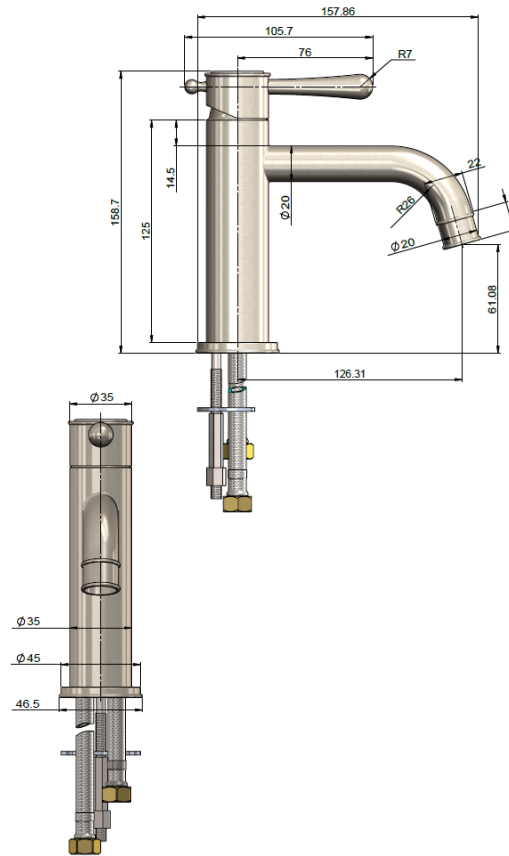
FEATURES

- Refer to the Meir website for warranty terms & conditions, and available finishes.
- Flow rate **5L p/m** at 3 bar pressure.
- European components and cartridge
- Solid brass construction
- Box Weight 1.5 Kg

CARE

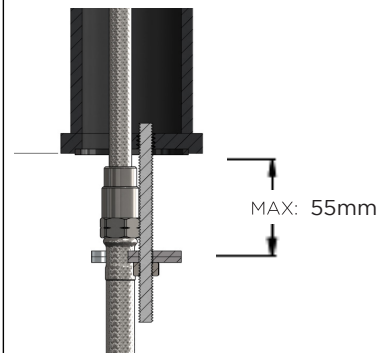
- Do not install tapware using any form of acetone silicones.
- Do not apply physical items (such as tools) directly to product.
- Never use house-hold or commercial detergents, citrus based cleaners, or abrasive cleaners.
- Clean using a mild washing soap solution rinsed, and dry with a soft cloth.
- Check for any product defects before installation.
- Refer to the installation manual for correct installation.

SPECIFICATIONS

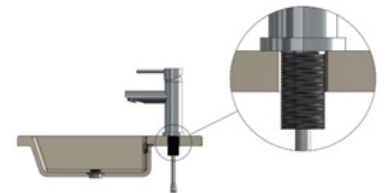


TOLERANCES

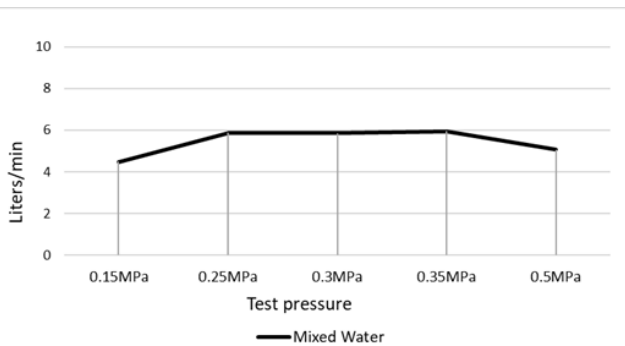
Mounting Surface Tolerance



Hole Diameter
MIN: 30mm MAX: 35mm



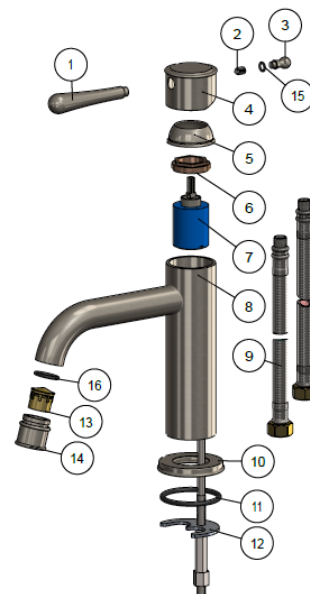
FLOW RATE GRAPH



CREDENTIALS

- Watermark AS/NZS3718WMKA25013
- 5-star WELS rated
- 5.5 litres p/minute
- WELS registration No: New Registration

EXPLODED VIEW



No:	Part Name	Qty
1	Handle Pin	1
2	Screw	1
3	Handle Pin	1
4	Handle	1
5	Decor Cover	1
6	Lock Nut	1
7	D25 cartridge	1
8	Body	1
9	Water Inlet Hose	2
10	Base Plate	1
11	O-ring	1
12	Mounting Fittings	1
13	Aerator	1
14	Aereator Shell	1
15	O-ring	1
16	O-ring	1