

HB04-R3

HARRINGTON TALL BASIN MIXER

meir®



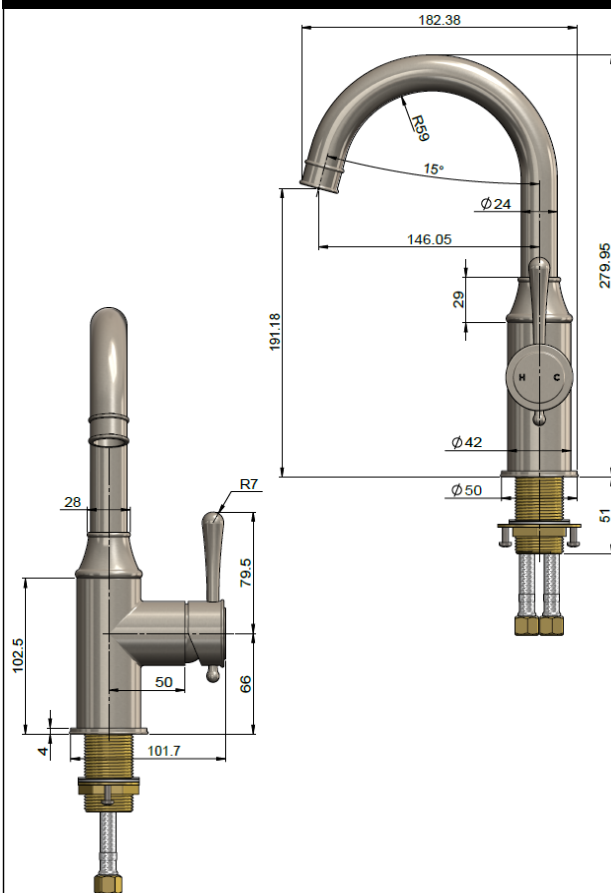
FEATURES

- Refer to the Meir website for warranty terms & conditions, and available finishes.
- Flow rate 5L p/m at 3 bar pressure.
- European components and cartridge
- Solid brass construction

CARE

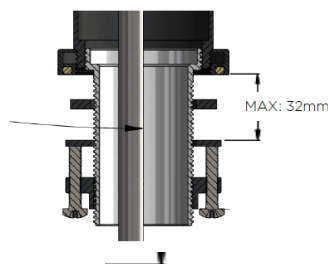
- Do not install tapware using any form of acetone silicones.
- Do not apply physical items (such as tools) directly to product.
- Never use house-hold or commercial detergents, citrus based cleaners, or abrasive cleaners.
- Clean using a mild washing soap solution rinsed, and dry with a soft cloth.
- Check for any product defects before installation.
- Refer to the installation manual for correct installation.

SPECIFICATIONS

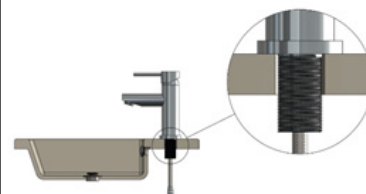


TOLERANCES

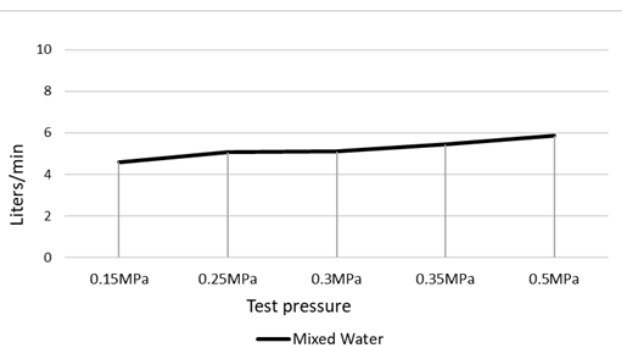
Surface Tolerance



Hole Diameter
MIN: 34mm MAX: 42mm



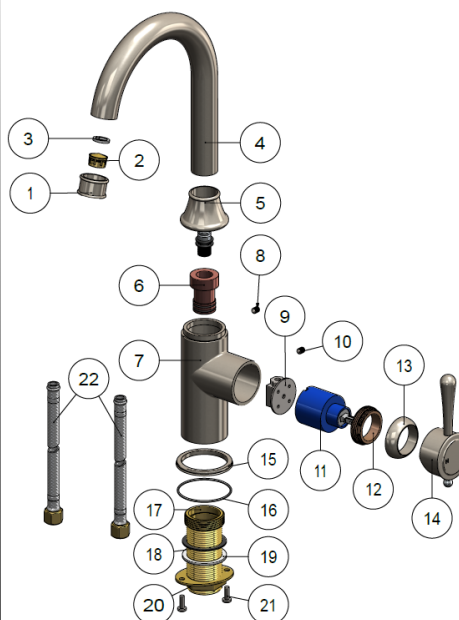
FLOW RATE GRAPH



CREDENTIALS

- Watermark AS/NZS3718WMKA25013
- 5-star WELS rated
- 6 litres p/minute
- WELS registration No: New Registration

EXPLODED VIEW



No:	Part Name	Qty
1	Aerator Shell	1
2	Aerator	1
3	Flat Washer	1
4	Spout	1
5	Decor Cover	1
6	Connector	1
7	Body	1
8	Screw	1
9	Cartridge Base	1
10	Screw	1
11	D35 Cartridge	1
12	Lock Nut	1
13	Decorative Cover	1
14	Handle	1
15	Base Plate	1
16	O-ring	1
17	Threaded tube	1
18	Flat Washer	1
19	Washer	1
20	mounting Fittings	1
21	Screw	1
22	Water Inlet Hose	2