

HB08

HARRINGTON FREE-STANDING BATH MIXER

meir®

FEATURES

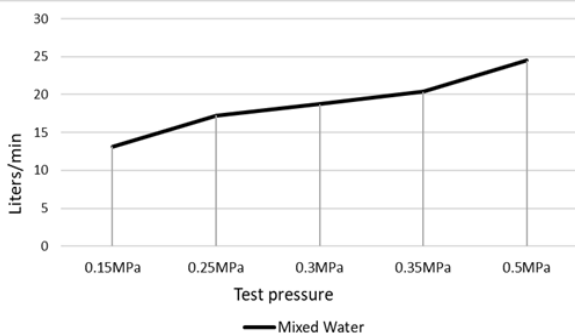
- Refer to the Meir website for warranty terms & conditions, and available finishes.
- Flow rate **19 L p/m** at 3 bar pressure.
- European components and cartridge
- Solid brass construction
- Includes the floor base installation box.

CARE

- Do not install tapware using any form of acetone silicones.
- Do not apply physical items (such as tools) directly to product.
- Never use house-hold or commercial detergents, citrus based cleaners, or abrasive cleaners.
- Clean using a mild washing soap solution rinsed, and dry with a soft cloth.
- Check for any product defects before installation.
- Refer to the installation manual for correct installation.



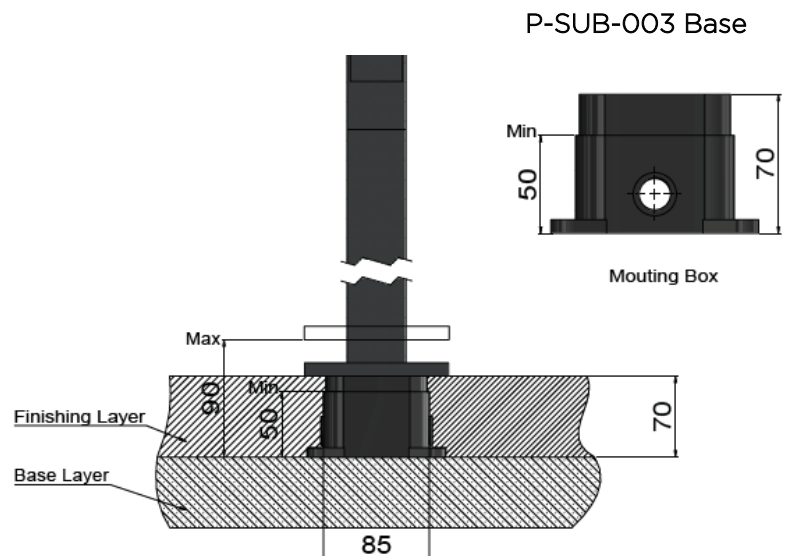
FLOW RATE GRAPH



CREDENTIALS

- Watermark AS/NZS3718WMKA25013
- 9 litres p/minute

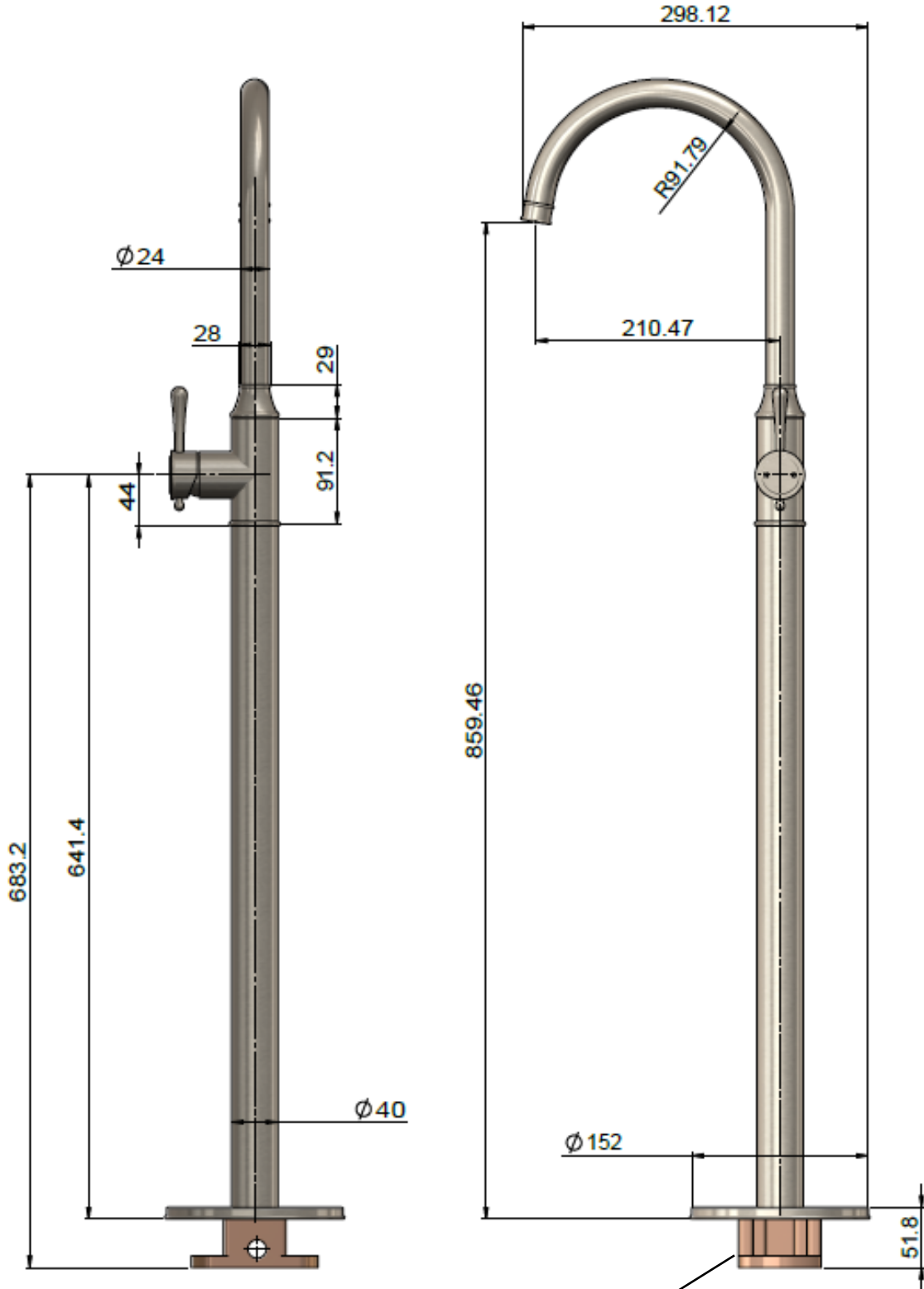
TOLERANCE



HB08

HARRINGTON FREE-STANDING BATH MIXER

SPECIFICATIONS

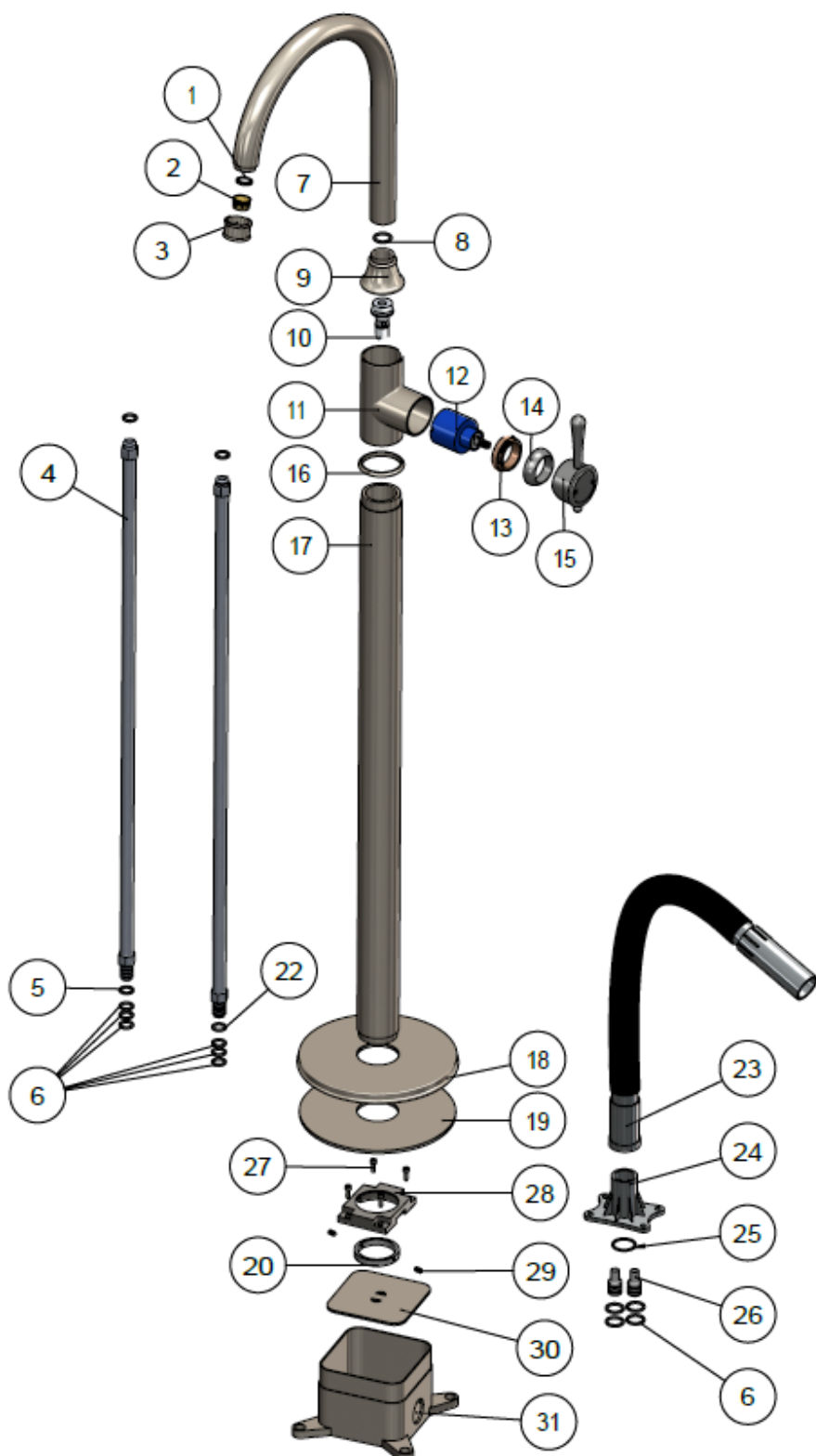


P-SUB-003 Base supplied separately

HB08

HARRINGTON FREE-STANDING BATH MIXER

EXPLODED VIEW



No:	Part Name	Qty
1	Flat Washer	1
2	Aerator	1
3	Aerator Shell	1
4	Brass Connector Pipe	1
5	O-Ring	1
6	O-Ring	8
7	Spout	1
8	O-Ring	1
9	Decor Cover	1
10	Connector	1
11	Body	1
12	D35 Cartridge	1
13	Lock Nut	1
14	Decorative Cover	1
15	Handle	1
16	O-Ring	1
17	Pipe	1
18	Base Plate	1
19	Foam Washer	1
20	Fixed Nut	1
21	Screw	1
22	O-Ring	1
23	Flush Pipe	1
24	Flush Pipe Base	1
25	Washer	1
26	Test Plug	2
27	Screw	4
28	Fixed Plate	1
29	Screw	2
30	Dust Cover	1
31	Plastic Base Box	1