

# HW07TS-FIN

## HARRINGTON WALL MIXER DIVERTER FINISH KIT

meir®



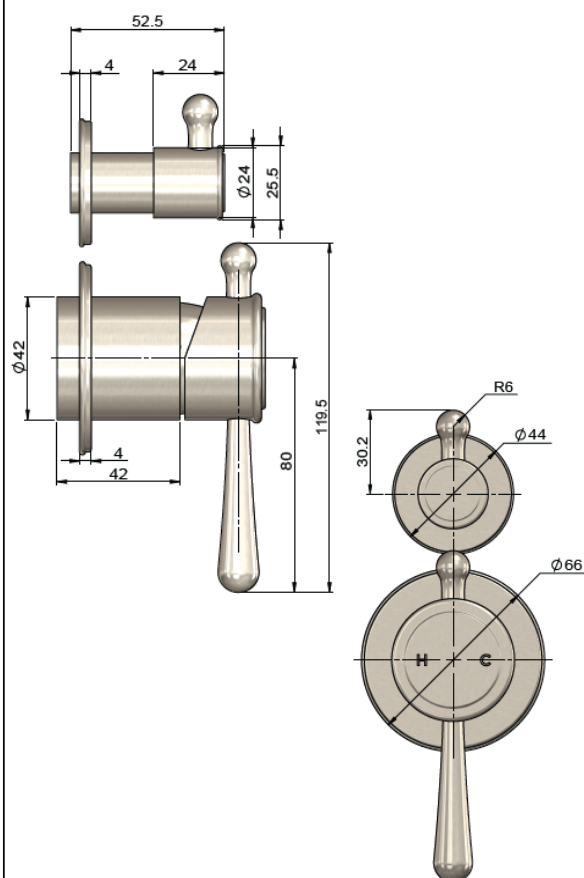
### FEATURES

- Refer to the Meir website for warranty terms & conditions, and available finishes
- Featuring the finish set only, excluding the in-wall body.
- European components and cartridge
- Reinforced rubber seal and lining
- Solid brass construction
- Pairs with the separate MW27BDY in-wall body.

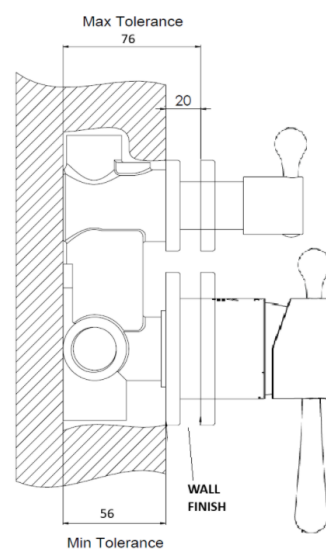
### CARE

- Do not install tapware using any form of acetone silicones.
- Do not apply physical items (such as tools) directly to product.
- Never use house-hold or commercial detergents, citrus based cleaners, or abrasive cleaners.
- Clean using a mild washing soap solution rinsed, and dry with a soft cloth.
- Check for any product defects before installation.
- Refer to the installation manual for correct installation.

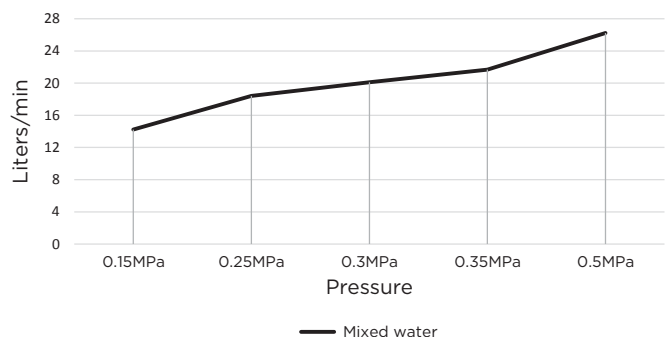
### SPECIFICATIONS



### TOLERANCES



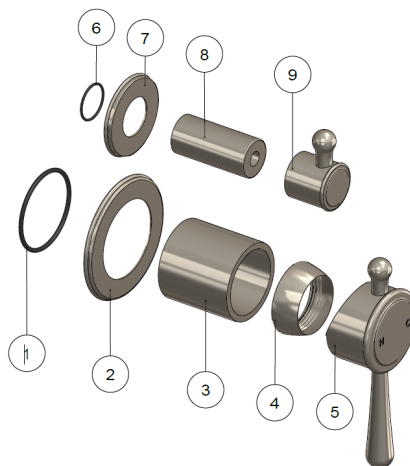
### FLOW RATE GRAPH (for the complete installation)



### CREDENTIALS

- Watermark AS/NZS 3718WMKA25013

### EXPLODED VIEW



No:	Part Name	Qty
1	O-ring	1
2	Back Plate	1
3	Sleeve	1
4	Decor Cover	1
5	Handle	1
6	O-ring	1
7	Back Plate	1
8	Sleeve	1
10	Handle	1