

**BROILMASTER®**

PREMIUM GRILLS

## *The* **GRILL** *of a* **LIFETIME.**

---

Since 1966, grill enthusiasts have trusted Broilmaster for its versatile cooking capabilities, convenient features, and unmatched customer service.

Broilmaster Stainless Grills combine the distinctive features of an original Broilmaster with a sleek, contemporary design. The versatile Multi-Level Cooking Grids, Retract-A-Rack, and timeless Bow Tie Burner live on in this new generation of stainless steel grills.

With the combination of classic and modern features, the Broilmaster Stainless Grill is truly The Grill of a Lifetime.

BURNER

ROTTEN

BURNER

OFF

LOW





# A SIZE *for* EVERYONE.

## GRILL HEADS

We designed a wider, deeper grill to maximize your cooking experience. Every Broilmaster Stainless Grill comes fully loaded with a variety of standard features, offering both convenience and versatility. With the ability to roast, sear, smoke, grill, or bake, and numerous features for convenience, the Broilmaster Stainless Grill is the only grill you'll ever need.



**42-IN (FOUR BURNER) - 72,000 BTUs**

UP TO 918 SQ. IN. COOKING AREA



**34-IN (THREE BURNER) - 54,000 BTUs**

UP TO 726 SQ. IN. COOKING AREA

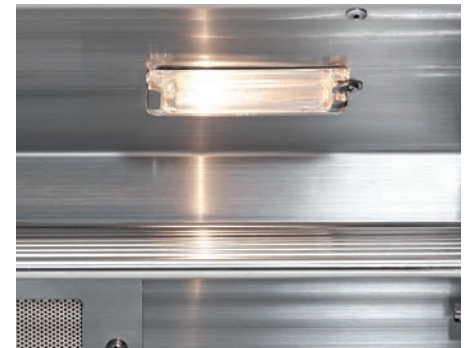


**26-IN (TWO BURNER) - 36,000 BTUs**

UP TO 540 SQ. IN. COOKING AREA

# STANDARD FEATURES

- 304 Stainless Steel
- Double Lined Easy Open Lid
- Retract-A-Rack
- Interior Cooking Lights
- Multi-Level Cooking Grids
- Flare Control Vaporizer
- Heat Zone Dividers
- Bow Tie Burner (18,000 BTUs)
- Flame Thrower Ignition
- Control Knob Lights
- Easy Slide Drip Tray
- Rotisserie Infrared Burner\* (11,000 BTUs)



\*No rotisserie infrared burner on BSG262.



# Way to BEEF it UP.

## GRILL HEAD ACCESSORIES

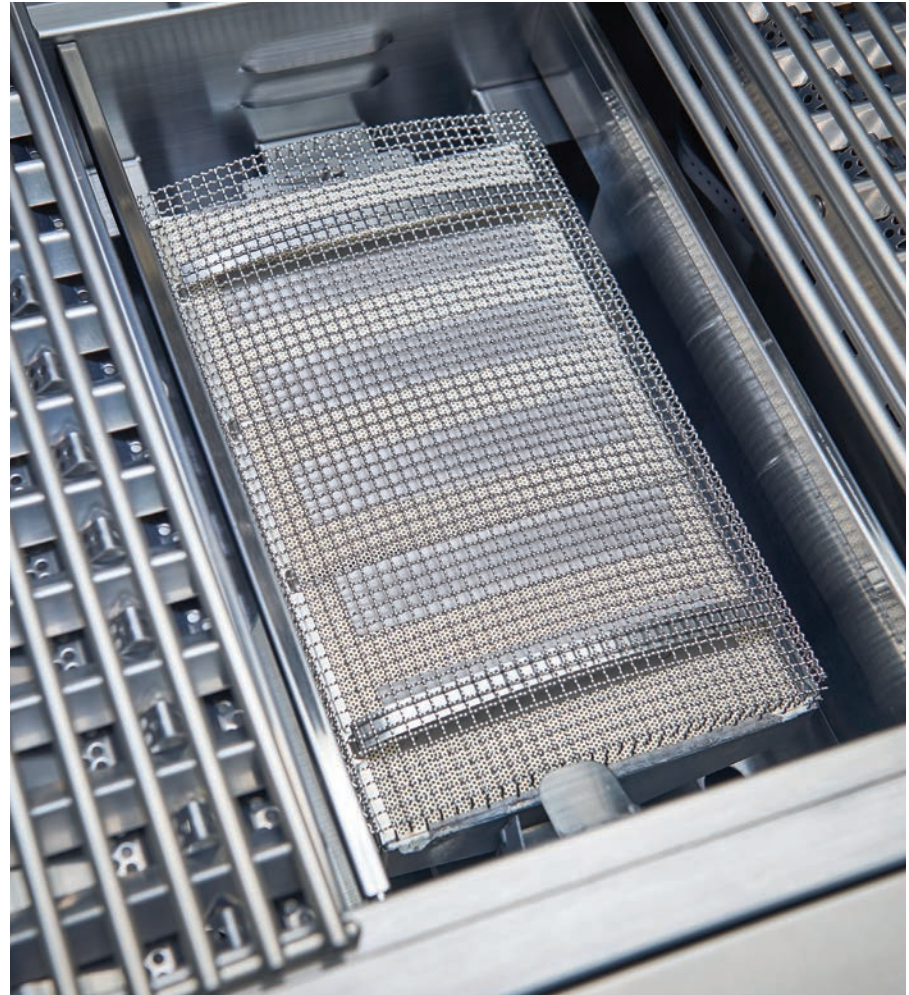
While our grill heads come fully loaded with features, we offer other options to beef up your grilling game. Fully enhance the rotisserie infrared burner (standard on 34-inch and 42-inch models) with the optional rotisserie kit. The available sear burner allows you to cook at higher temperatures and lock in juices. Add the smoker tray for a natural wood flavor.



ROTISSERIE



SMOKER TRAY



SEAR BURNER (18,000 BTUs)





# Bring your **KITCHEN** outside.

## BUILT-IN STORAGE ACCESSORIES

Customize your storage with doors and drawers, available in multiple sizes and configurations to suit your needs. The soft close feature prevents hard closures, keeping contents in place and extending the life of the components. Accessories are made with high-quality 304 stainless steel.



SINGLE ACCESS DOOR (17-IN, 24-IN)



DOUBLE DRAWER (20-IN)



SINGLE DOOR DOUBLE DRAWER (34-IN)



DOUBLE ACCESS DOOR (26-IN, 34-IN, 42-IN)



TRIPLE DRAWER (18-IN)



SINGLE DOOR TRIPLE DRAWER (42-IN)



## BUILT-IN COOKING & CONVENIENCE ACCESSORIES

Maximize your cooking space with a side burner. Choose the single burner, double burner, or power burner. For added convenience, select the roll-out waste drawer or propane tank drawer.



**SINGLE BURNER, DROP-IN (12-IN)**

12,000 BTUs



**DOUBLE BURNER, SLIDE-IN (12-IN)**

24,000 BTUs



**POWER BURNER, SLIDE-IN (16-IN)**

60,000 BTUs



**WASTE DRAWER, ROLL-OUT (18-IN)**



**PROPANE TANK DRAWER, SLIDE-OUT (20-IN)**



**INSULATED SLEEVE\* (12-IN, 16-IN, 26-IN, 34-IN, 42-IN)**

\*Required for installation with combustible materials.

Put it **WHERE** you **WANT** it.

## GRILL CARTS

Move your grill almost anywhere with one of our cart options. These durable stainless steel carts come in three sizes and include two soft close doors for easy storage. Side shelves provide additional food prep space, and fold down for convenient storage when not in use.



34-IN CART WITH DOORS



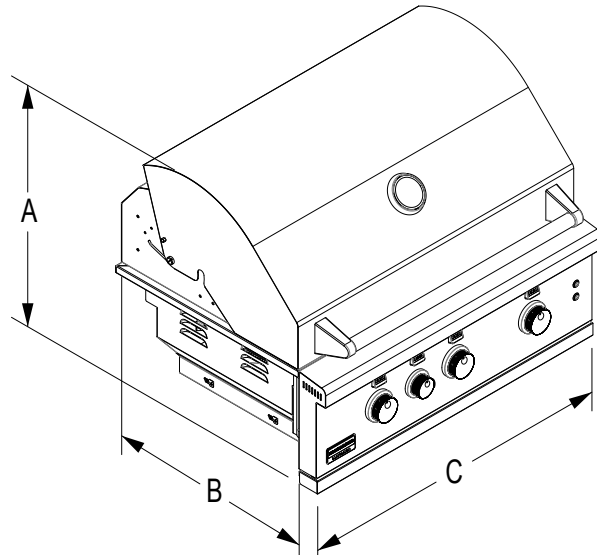
42-IN CART WITH DOORS



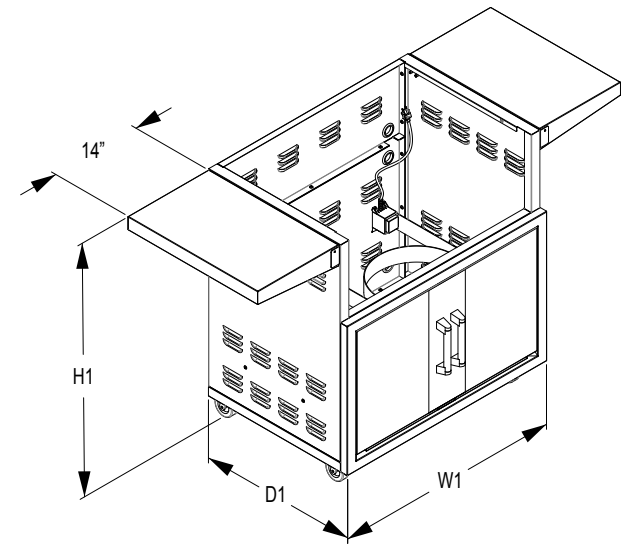
26-IN CART WITH DOORS



# DIMENSIONS



GRILL HEAD/BUILT-IN DIMENSIONS (IN INCHES)			
	BSG262	BSG343	BSG424
<b>A</b>	25-3/4	25-3/4	25-3/4
<b>B</b>	22-1/2	22-1/2	22-1/2
<b>C</b>	26	34	42



CART DIMENSIONS (IN INCHES)			
	BSACT26	BSACT34	BSACT42
<b>H1</b>	37 1/4	37 1/4	37 1/4
<b>D1</b>	23 3/4	23 3/4	23 3/4
<b>W1</b>	26	34	42

# WARRANTY

**LIMITED LIFETIME:** Against rust-through on stainless steel grill housing, stainless steel cooking grids, and select stainless steel components including carts, cast stainless steel Bow Tie Burners, stainless steel drip tray, side burners, side burner housings, warming racks, built-in sleeves, access doors and drawers, and vent register kits. **LIMITED 5 YEAR:** Against rust-through on flare control vaporizers and heat zone dividers. **1 YEAR:** Against rust-through on valves, knobs, ignitors, labels, hoses, fittings, and all other parts and accessories – including those made from stainless steel.

**BROILMASTER**

918 Freeburg Avenue • Belleville, Illinois 62220 | 01028 020819