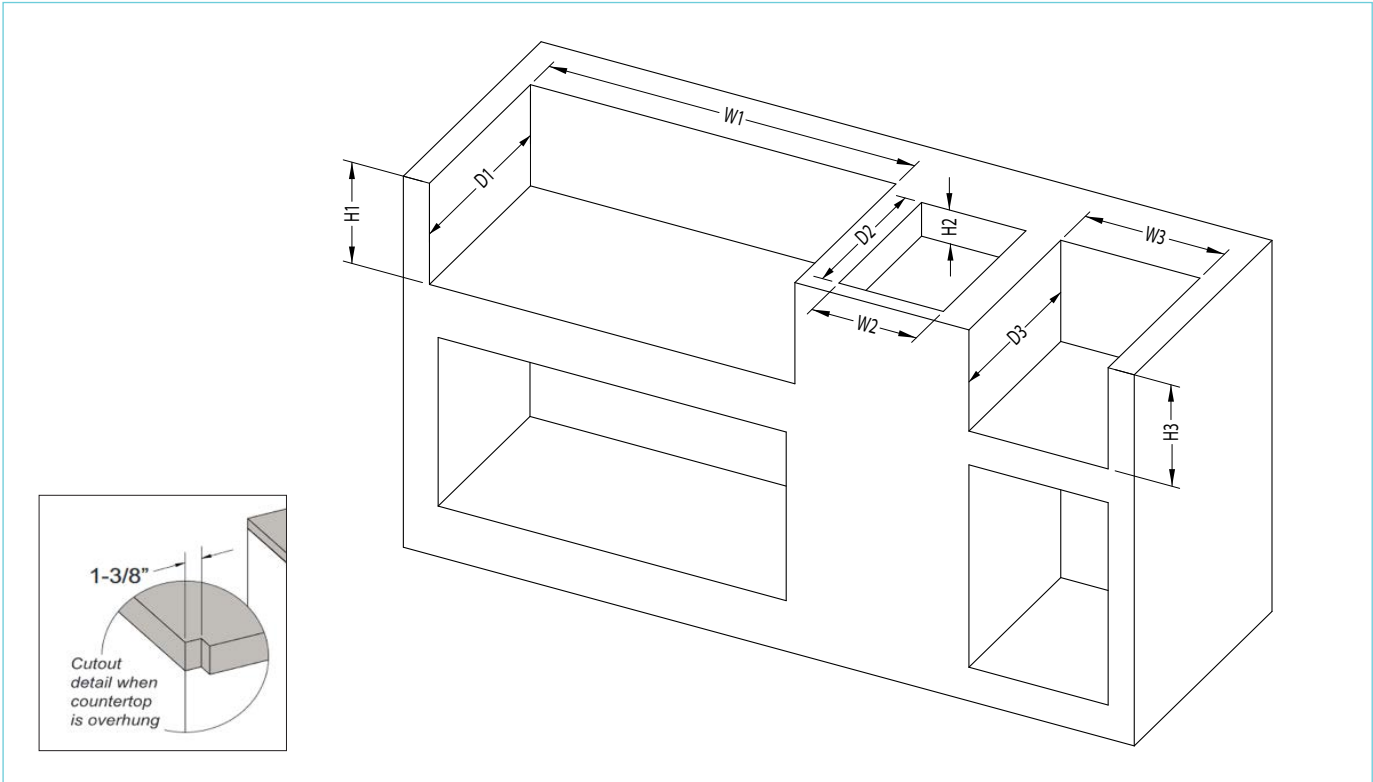


Stainless Grill DIMENSIONS.

BUILT IN GRILL HEADS & SIDE BURNERS



BUILT-IN GRILL HEAD DIMENSIONS (IN INCHES)

	W1	H1	D1
BSG262N	23 1/2	11 3/4	21
BSG343N	31 1/2	11 3/4	21
BSG424N	39 1/2	11 3/4	21

GRILL HEAD SLEEVES (IN INCHES)

	W1	H1	D1
BSASL26	25 3/4	12 3/4	22 3/4
BSASL34	33 3/4	12 3/4	22 3/4
BSASL42	41 3/4	12 3/4	22 3/4

SIDE BURNERS (IN INCHES)

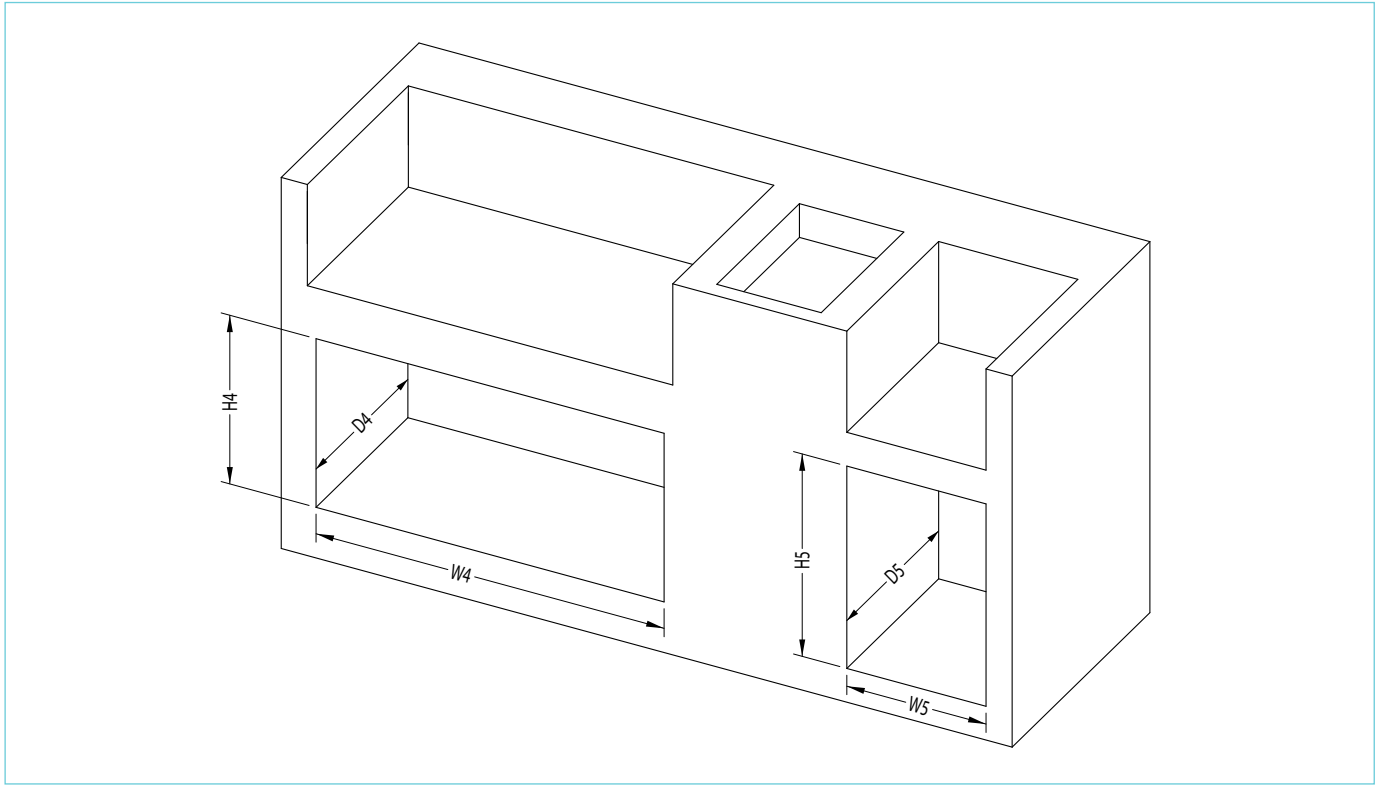
	W2	H2	D2
BSAF12D	11 1/4	3	18
	W3	H3	D3
BSABF12	11 7/8	11 3/4	21
BSABW16	15	11 3/4	19

SIDE BURNER SLEEVES (IN INCHES)

	W3	H3	D3
BSASL12	13 1/4	12 3/4	22
BSASL16	16 1/4	12 3/4	19 7/8



BUILT IN DOORS & DRAWERS



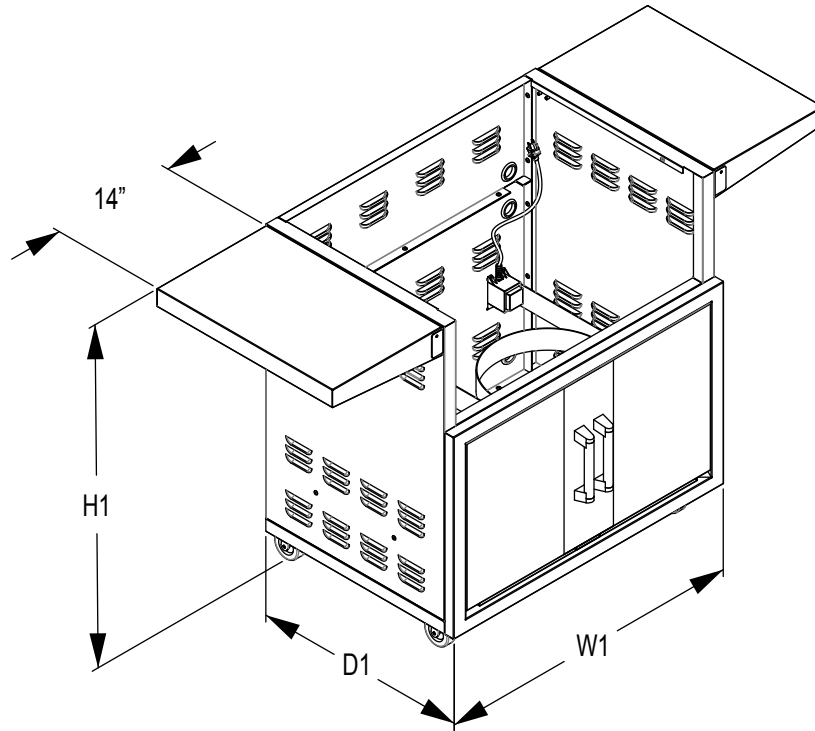
DOORS (IN INCHES)			
	W4	H4	D4
BSAD1722	14 1/4	19 1/4	2 min.
BSAD2422	21 1/4	19 1/4	2 min.
BSAD2622D	23 1/4	19 1/4	2 min.
BSAD3422D	31 1/4	19 1/4	2 min.
BSAD4222D	39 1/4	19 1/4	2 min.
BSAW3422SD	31 1/4	19 3/8	19 3/4
BSAW4222SD	39 1/4	19 3/8	19 3/4

DRAWERS (IN INCHES)			
	W5	H5	D5
BSAW2022D	17 3/8	19 1/4	19 3/4
BSAW1826T	15 1/8	23 1/4	19 3/4
BSAW2022	17 1/4	19 1/4	16
BSAW1826R	15 1/4	23 1/4	16 1/2



Stainless Grill DIMENSIONS.

CARTS



CART DIMENSIONS (IN INCHES)			
	W1	H1	D1
BSACT26	26	37 1/4	23 3/4
BSACT34	34	37 1/4	23 3/4
BSACT42	42	37 1/4	23 3/4



WARRANTY

LIMITED LIFETIME: Against rust-through on stainless steel grill housing, stainless steel cooking grids, and select stainless steel components including carts, cast stainless steel Bow Tie Burners, stainless steel drip tray, side burners, side burner housings, warming racks, built-in sleeves, access doors and drawers, and vent register kits.

LIMITED 5 YEAR: Against rust-through on flare control vaporizers and heat zone dividers. **1 YEAR:** Against rust-through on valves, knobs, ignitors, labels, hoses, fittings, and all other parts and accessories - including those made from stainless steel.