



SERVICE PARTS LIST

BULLETIN NO.
54-49-8400

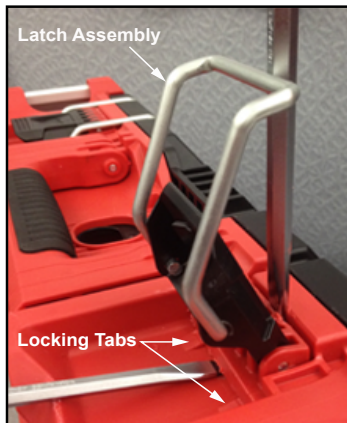
SPECIFY CATALOG NO. AND SERIAL NO. WHEN ORDERING PARTS		REVISED BULLETIN	DATE
PACKOUT™ Rolling Storage			Sept. 2022
CATALOG NO.	SERIAL NUMBER	WIRING INSTRUCTION	

48-22-8426	PACKOUT™ Rolling Tool Box	Page 1
48-22-8410	PACKOUT™ Flat Dolly	Page 3
48-22-8415	PACKOUT™ 2 Wheel Dolly	Page 4
48-22-8428	PACKOUT™ Rolling Tool Chest	Page 5

EXAMPLE:
Component Parts (Small #) Are Included When Ordering The Assembly (Large #).

48-22-8426 PACKOUT™ Rolling Tool Box

FIG.	PART NO.	DESCRIPTION OF PART	NO. REQ.
1	-----	Retractable Handle Grip Service Kit	(1)
2	-----	Screw	(2)
3	43-62-8400	Retractable Handle Service Assembly	(1)
4	-----	Screw	(2)
5	43-62-8426	Side Handle Svc. Kit (Contains 2 Side Handles and 4 Pins)	(1)
6	-----	Pin	(4)
7	48-22-8098	Wheel Svc. Kit (Contains 2 Wheels and 2 Locking Hex Nuts)	(1)
8	-----	Locking Hex Nut	(2)
9	44-20-8400	Latch Service Assembly (Set of 2)	(1)
10	31-01-8400	Storage Tray	(1)
11	43-44-8400	Lid Gasket (Not Shown)	(1)
12	42-12-8426	Axle Svc. Kit (Contains 1 Axle and 2 Locking Hex Nuts)	(1)

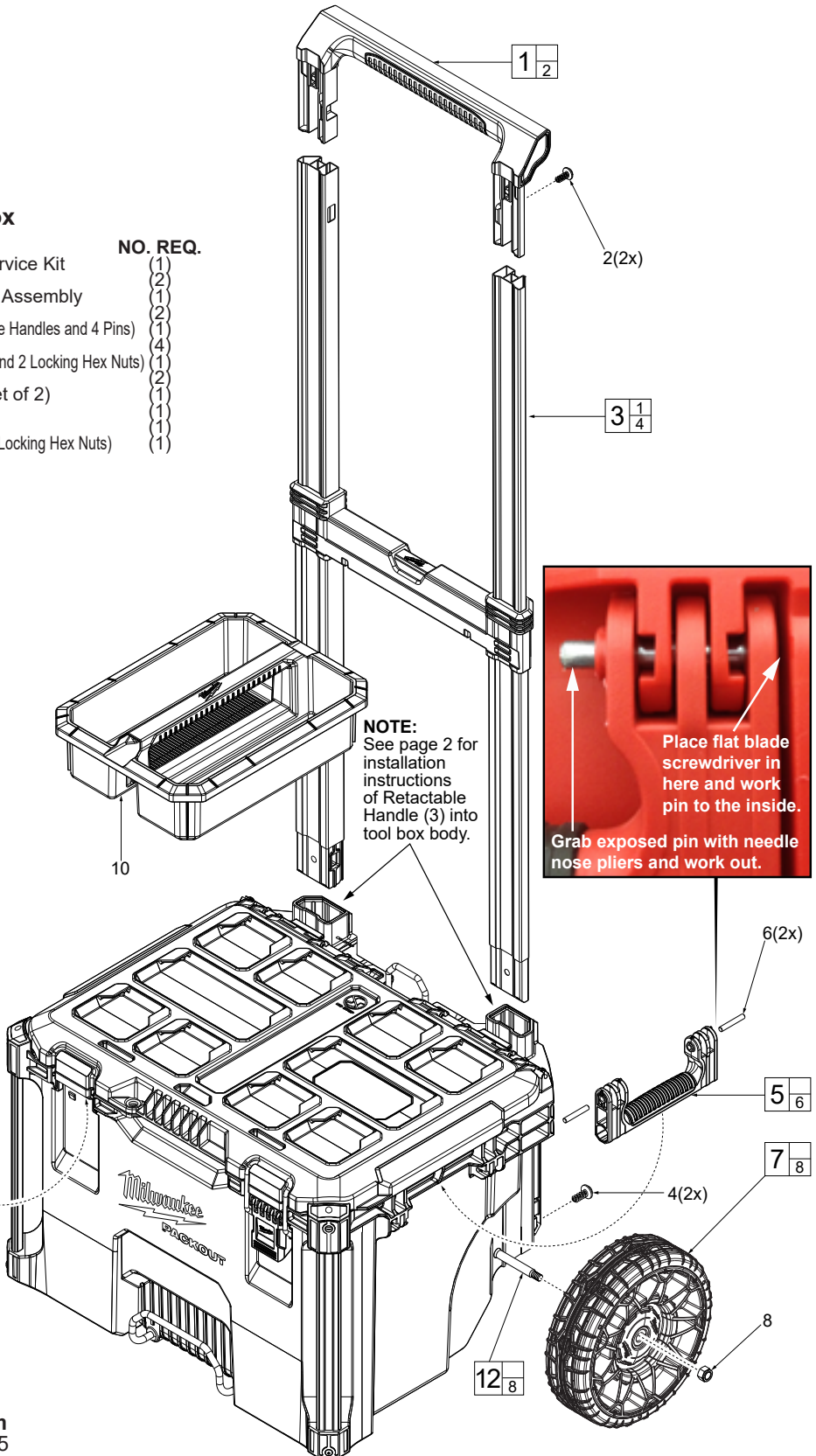


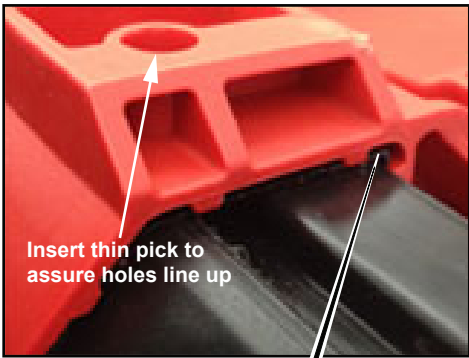
As an aid to removing a damaged Latch Assembly (9), use two large flat blade screwdrivers. Push blades between parts as shown. Twist both screwdrivers at same time to force the blades into opening and work the latch assembly over the two locking tabs.

To install a new latch assembly, position entire latch assembly over locking tabs with the two top lugs partially inserted in 'catch cavity' of main housing. Engage latch bar onto lid and gently press latch lever to slide assembly over two locking tabs and into place.

This removal and installation process will be the same where other service latches are offered in this system.

MILWAUKEE TOOL • www.milwaukeetool.com
13135 W. LISBON RD., BROOKFIELD, WI 53005
Drwg. 9

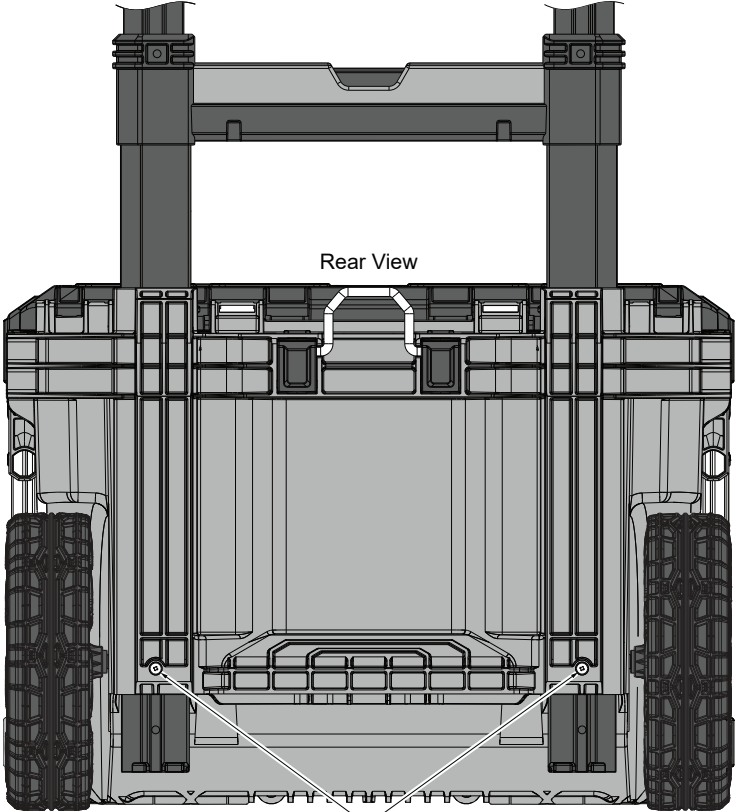




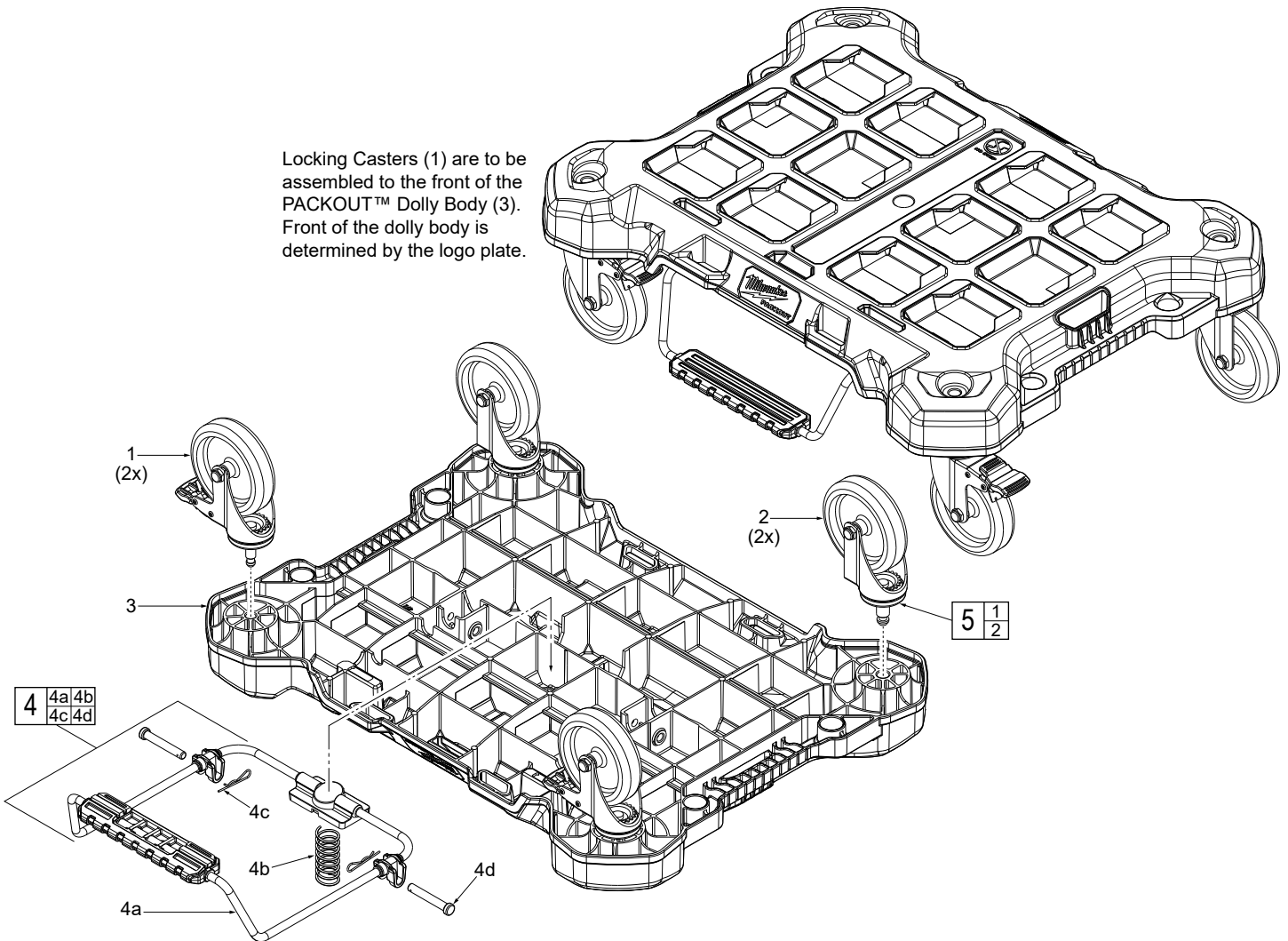
As an aid to installation, collapse the Retractable Handle Assembly (3).

Properly orient the assembly and insert both sides into tool box channels.

Holes of Retractable Handle Assembly (3) must line up with holes on the back of tool box body prior to securing with screws (4).

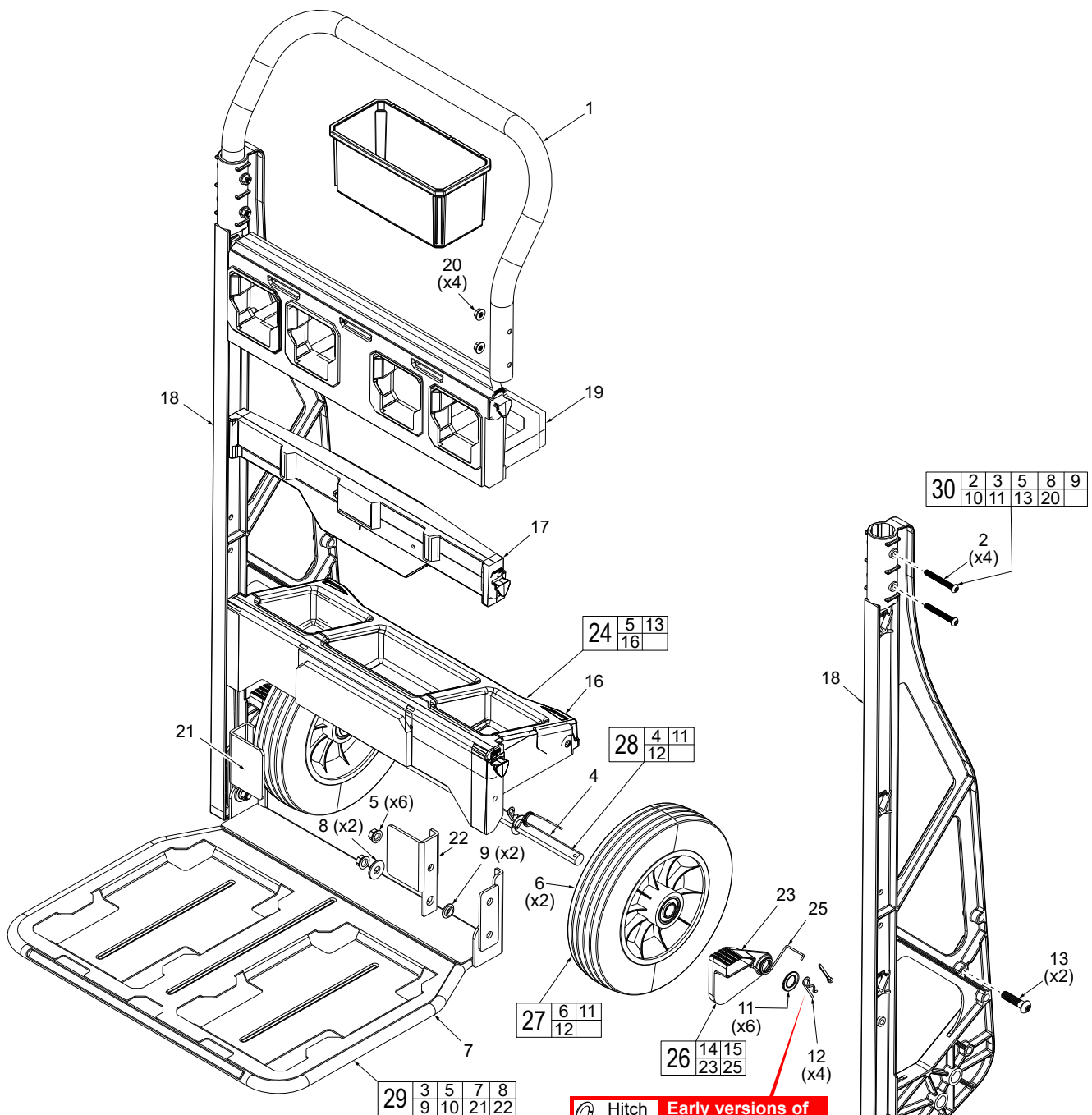




Locking Casters (1) are to be assembled to the front of the PACKOUT™ Dolly Body (3). Front of the dolly body is determined by the logo plate.



48-22-8410 PACKOUT™ Flat Dolly

FIG.	PART NO.	DESCRIPTION OF PART	NO. REQ.
1	-----	Locking Swivel Caster	(2)
2	-----	Swivel Caster	(2)
3	-----	Dolly Base	(1)
4	14-04-8410	Dolly Foot Brake Kit	(1)
4a	-----	Dolly Foot Brake	(1)
4b	-----	Spring	(1)
4c	-----	Cotter Pin	(2)
4d	-----	Retaining Pin	(2)
5	45-94-8410	Swivel Caster Kit (Set of 4)	(1)



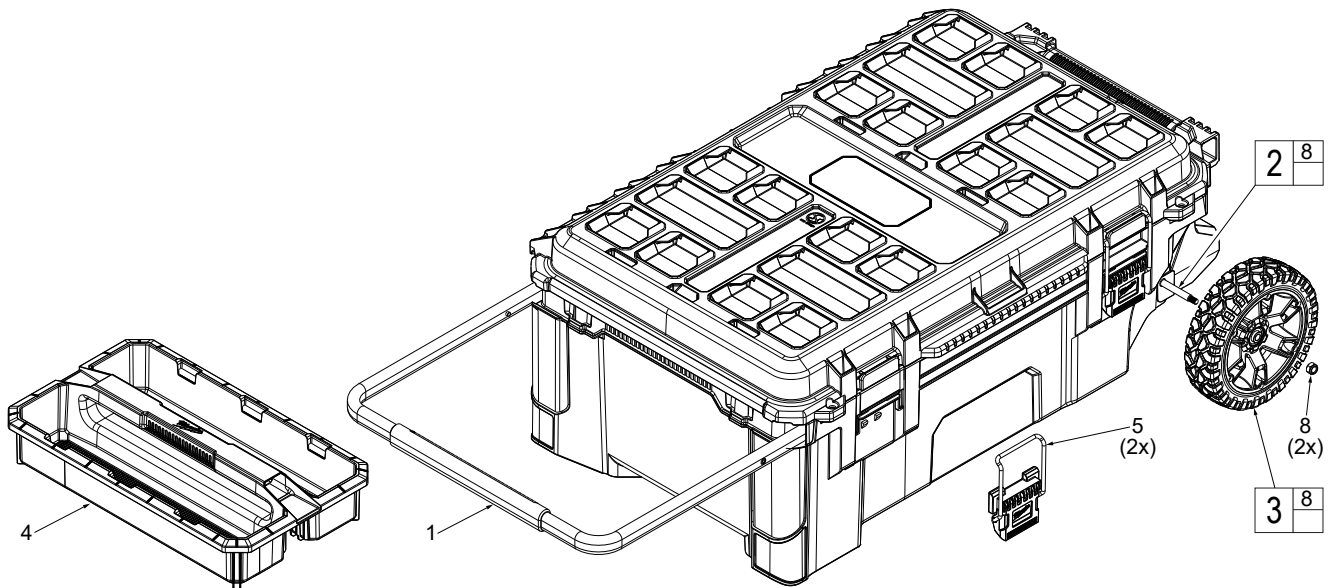
 Hitch Pin
 Cotter Pin

Early versions of the 2 Wheel Dolly utilized four Hitch Pins (12) on Axle (4). When servicing this dolly, it is recommended to replace the Hitch Pins with Cotter Pins. Check local hardware store.

48-22-8415 PACKOUT™ 2 Wheeled Dolly

FIG.	PART NO.	DESCRIPTION OF PART	NO. REQ.
1	-----	Handle	(1)
2	-----	20 x 1.875" Bolts	(4)
3	-----	3/8-16 x 2 Bolts	(2)
4	-----	Axle	(1)
5	-----	3/8-16 Lock Nut	(6)
6	-----	Wheel	(2)
7	-----	Base Plate	(1)
8	-----	Washer	(2)
9	-----	Nylon Shoulder Washer	(2)
10	-----	3/8-16 x 1.75" Bolts	(2)
11	-----	5/8" Bushing Washers	(6)
12	-----	Cotter Pin	(4)
13	-----	3/8-16 x 1.5" Bolts	(2)
14	-----	Right Spring (Not Shown)	(1)
15	31-52-8415A	Toe Plate Lock Right (Not Shown)	(1)
16	31-01-8415	Bottom Tray	(1)
17	31-86-8415	Logo Cross Member	(1)
18	-----	Side Frame	(2)
19	31-10-8415	PACKOUT Cross Member	(1)
20	-----	Handle Nut	(4)
21	-----	Right Lock/Fender Assembly	(1)

FIG.	PART NO.	DESCRIPTION OF PART	NO. REQ.
22	-----	Left Lock/Fender Assembly	(1)
23	-----	Toe Plate Lock Left (Not Shown)	(1)
24	31-01-8415	Bottom Tray Kit	(1)
25	-----	Left Spring (Not Shown)	(1)
26	31-52-8415	Toe Plate Lock Kit	(1)
27	45-94-8415	Wheel Kit	(1)
28	42-12-8415	Axle Kit	(1)
29	42-36-8415	Toe Plate Kit	(1)
30	14-46-8415	Hardware Kit	(1)



48-22-8428 PACKOUT™ Rolling Tool Chest

FIG.	PART NO.	DESCRIPTION OF PART	NO. REQ.
1	43-62-8428	Handle Service Kit (Handle and 2 Screws)	(1)
2	42-12-8426	Axle Service Kit (Axle and 2 Nuts)	(1)
3	45-94-8426	Wheel Service Kit (2 Wheels)	(1)
4	31-01-8428	Tool Chest Tray	(1)
5	44-20-8428	Latch Service Kit (2 Latches)	(1)
7	43-44-8428	Lid Gasket (Not Shown)	(1)
8	-----	Hex Nut	(2)