



Beverage Butler Center

Part # 3835

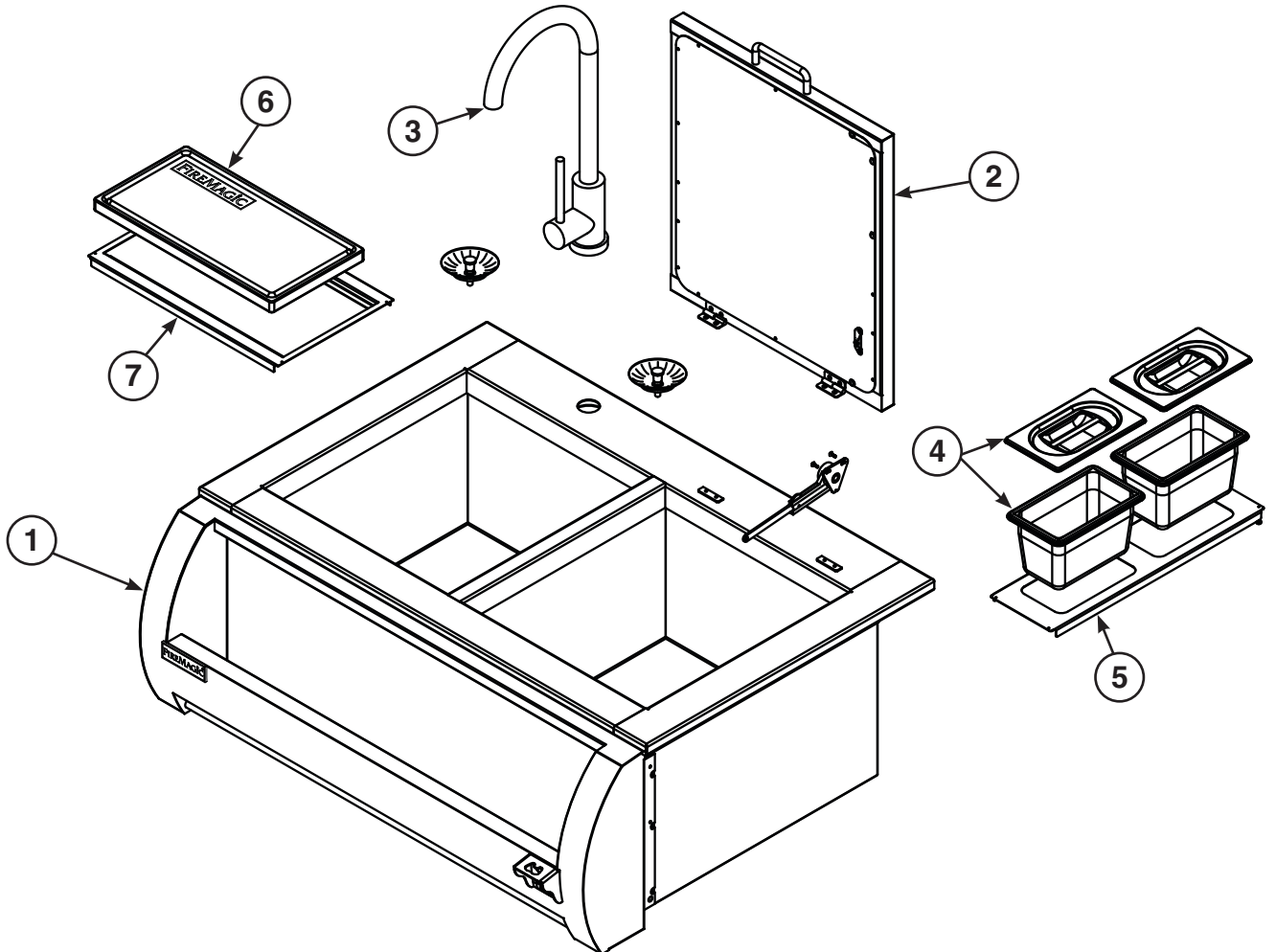
INSTALLER: Leave these instructions with consumer.
CONSUMER: Retain for future reference.



SPECIFICATIONS

Item	Description	Part No.	Qty.
1.	Front panel	3835-01	1
2.	Insulated lid	3835-02	1
3.	Hot/cold faucet assembly	3836	1
4.	Condiment container w/ lid	3835-03	2
5.	Condiment container holder	3835-04	1
6.	Bamboo cutting board	1D-S-07	1
7.	Cutting board holder	3835-05	1

Table 1 - Replacement parts list

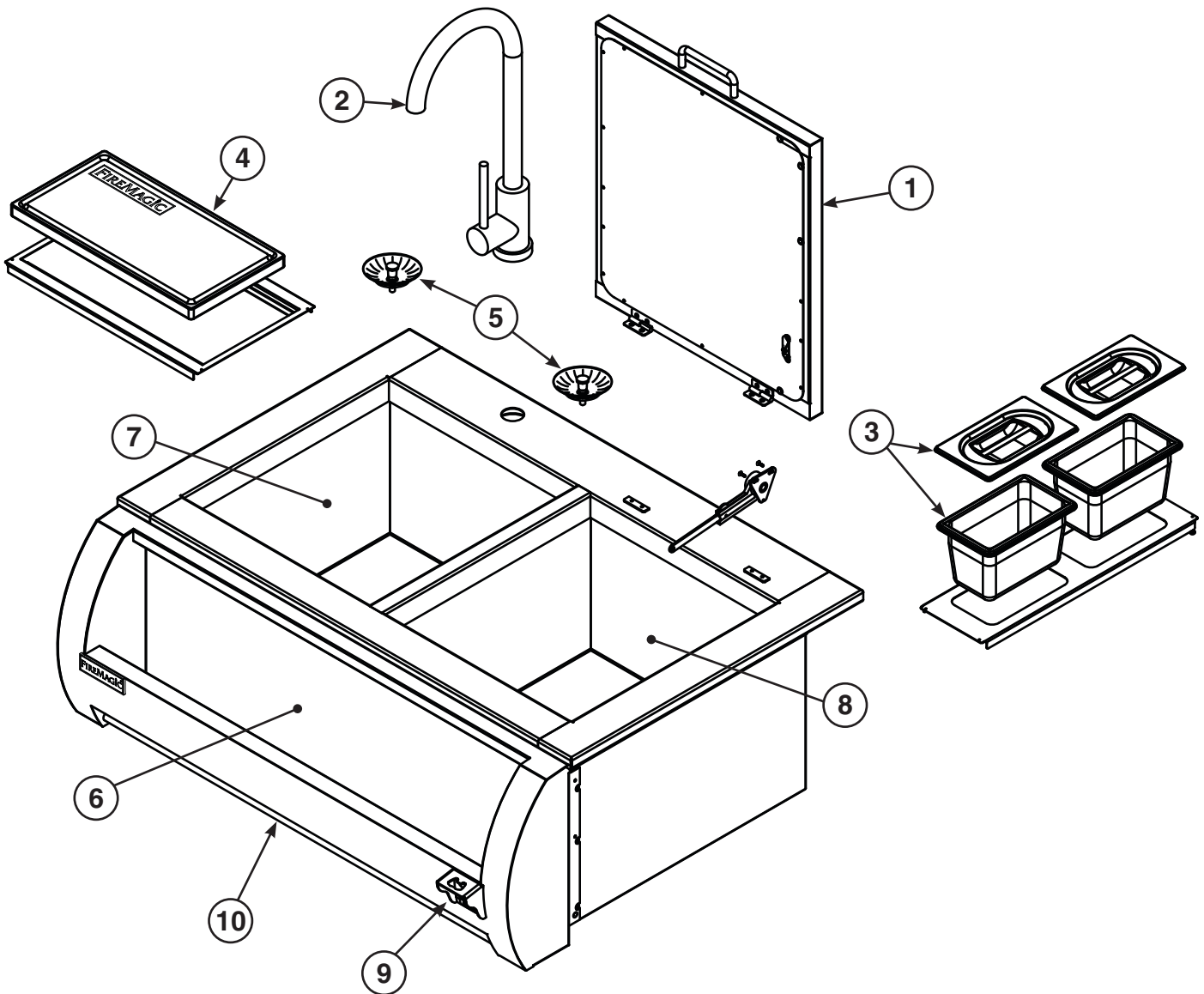


SPECIFICATIONS (cont.)

Item	Description
1.	Insulated lid
2.	Hot/cold faucet assembly
3.	Condiment containers w/ lids
4.	Bamboo cutting board
5.	Drain plugs
6.	Bottle shelf
7.	Sink
8.	Ice bucket
9.	Magnetic bottle opener
10.	Towel rack

Note: The left sink (faucet side) has a knock-out for garbage disposal installation. See **CONNECT PLUMBING** section for more information.

Table 2 - Identification parts list

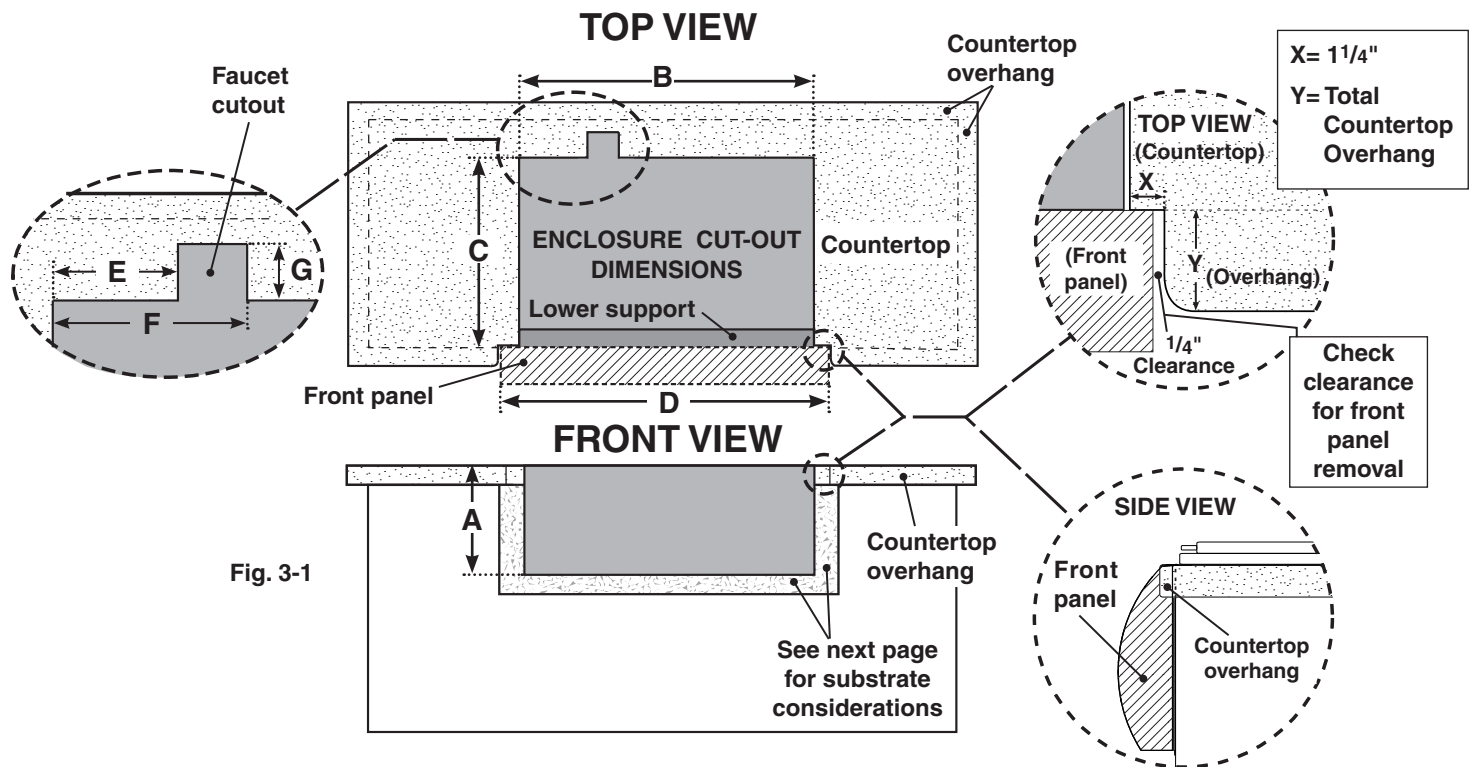


SPECIFICATIONS (cont.)

Counter Cut-out Dimensions	
A Countertop to unit bottom cutout *	12"
B Side to side cutout	32 1/2"
C Front to back cutout †	20"
D Front panel width cutout ‡	35"
E Faucet Opening Left Dimension cutout	7 1/2"
F Faucet Opening Right Dimension cutout	9 3/4"
G Faucet Opening Depth cutout	2"

* Drain clearances must also be provided.
 † Includes any substrate at front wall of enclosure (in the area the rear of the front panel is to sit flush against). See SUBSTRATE section on next page.
 ‡ Only applicable for enclosures that have countertops with an overhang (see illustration and section below).

Table 3 - Cutout dimensions



COUNTERTOP OVERHANG

The front panel is designed to sit flush against the enclosure front wall. If the countertop extends beyond the front wall, creating a countertop overhang, it must be cut flush with the front wall for the width of the front panel or a gap will be created exposing the forward portions of the left and right side liner walls. See illustrations above.

SUBSTRATE

When adding any substrate to the enclosure front wall (including tiles, stone, etc.), consider the following:

Substrate Behind Front Panel

Substrate + countertop "front to back" cutout must equate to **Dim. C** (see previous page) when the substrate sits flush behind the front panel.

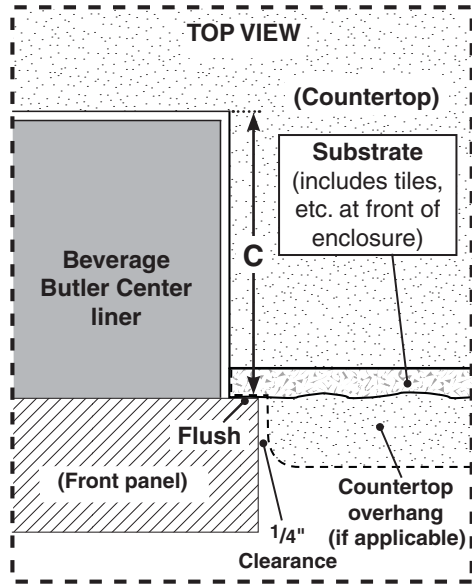


Fig. 4-1

Substrate Alongside Front Panel

Any additional substrate alongside the front panel does not need to be considered in **Dim. C** (see previous page), however a 1/4" clearance on each side (same as overhang) and below is required.

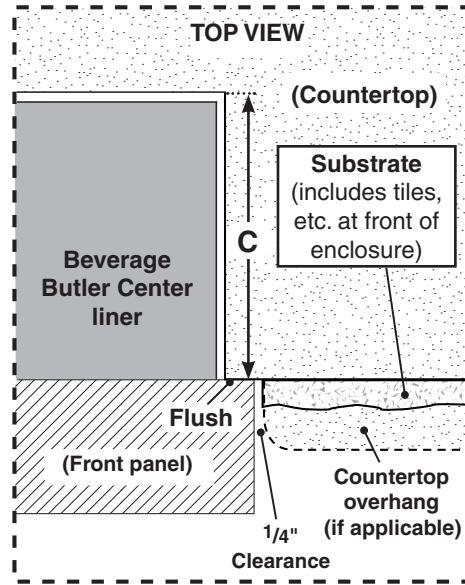


Fig. 4-2

INSTALLATION

Installation must be performed by a qualified professional service technician.

WATER SUPPLY SETUP

The maximum inlet water-supply pressure is 75 psi. **DO NOT INSTALL THE APPLIANCE IF MAXIMUM PRESSURE IS EXCEEDED.**

The water supply (hot and cold) is to be plumbed into the enclosure and to the faucet. The faucet's water connections ($\frac{1}{2}$ " compression) are located to the bottom of the faucet. Your individual installation may vary. **Observe the National Plumbing Code and all local codes.**

1. Plumb the water supply into the area that the unit will rest over.

Note: It is recommended that a water shut-off valve per line (not included) be attached to the water supply line(s). It can be installed remotely or at the end of the water supply line(s).

DRAIN SETUP

A permanent waste drain is to be plumbed from an appropriate drain into the enclosure and to the sinks (as appropriate for your setup). This unit comes with two pre-installed under mount drains ready for drain plumbing ($1\frac{1}{4}$ " piping). Your individual installation may vary. **Observe the National Plumbing Code and all local codes.**

1. Plumb the drain into the area that the unit will rest over.

Alternatively, a waste water container may be placed under the ice bucket sink (not recommended on the faucet side).

CONSTRUCT ENCLOSURE

Construct the enclosure according to your individual install preference, while following the guidelines in the SPECIFICATIONS section, and the WATER SUPPLY and DRAIN setup sections above.

Important: Clearances below the unit must be provided for both drains and the faucet.

ASSEMBLE FAUCET

Unpack and install the faucet assembly to the beverage center as diagrammed in Fig. 5-1.

Installation continued on next page

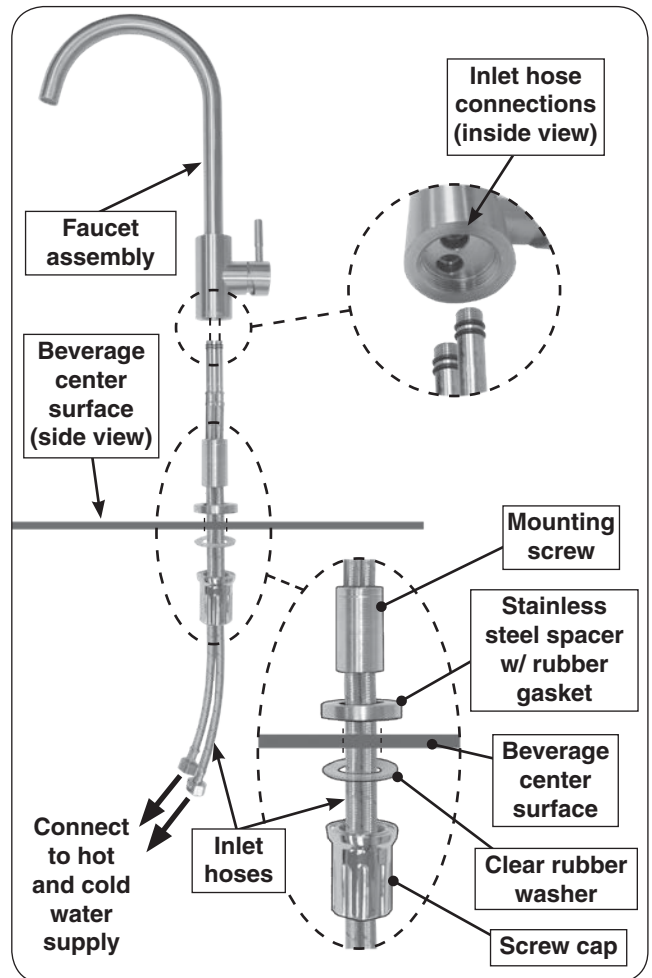


Fig. 5-1 Faucet installation diagram

INSTALLATION (cont.)

INSTALL BEVERAGE BUTLER CENTER

1. After the enclosure and all plumbing hookups are prepared, place the beverage center into the cut-out. Keep all hoses from being pinched between the beverage center and the enclosure.

Note: The unit will rest on the countertop by its stainless-steel hanger and on the front structural support of the enclosure.

2. Ensure the unit is completely slid into the cutout.

Note: Silicone sealant may be applied around the top edge of the countertop cut-out to create a barrier between the housing and countertop.

CONNECT PLUMBING

The faucet has two hoses (1/2" compression) coming from below the fixture ready for connection (previously installed). The two drains have 1 1/4" connections ready to be plumbed.

Note: Your individual installation may vary. Use sealants as needed. **Observe the National Water and Safety Code and all local codes.**

1. Locate the water supply that is within the enclosure (previously routed at beginning of enclosure installation). Plumb the water supply to the fittings (1/2" compression) coming from the faucet.
2. Locate the drain that is within the enclosure (previously routed at beginning of installation). Plumb the drain to the sink(s) as appropriate for your installation.

Alternatively, a waste water container may be placed under the ice bucket side drain (not recommended on the faucet side).

Note: The left sink (faucet side) has a knock-out ring that can be removed to install a garbage disposal. Remove the knock-out, clear out any insulation (from the new larger opening), and install your garbage disposal.

3. Check at all connections for leaks. If a leak is present, turn off the water and tighten at all connections. Repeat until no leaks are present. If a leak persists, turn off the water supply and contact a professional service technician.

INSTALL THE CUTTING BOARD

Carefully place the cutting board holder over the sink (at the front edge), then insert the cutting board into the holder (see Fig. 6-1).

INSTALL CONDIMENT CONTAINERS

Unpack the stainless-steel condiment containers, lids, and container holder. Place the holder onto the ice bucket and insert the containers with lids into the openings as shown in Fig. 6-2.

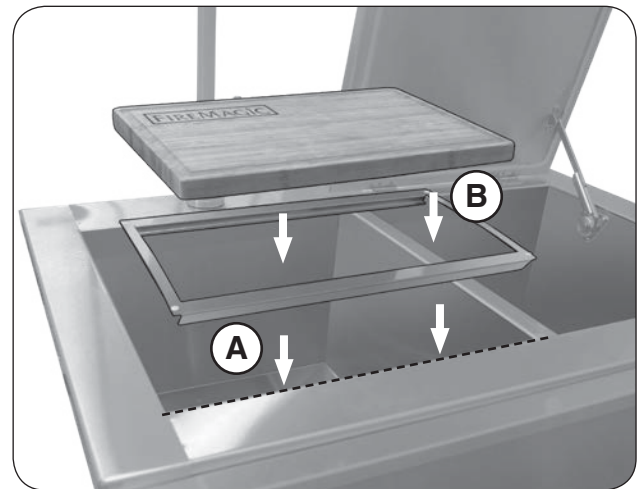


Fig. 6-1 Install bamboo cutting board

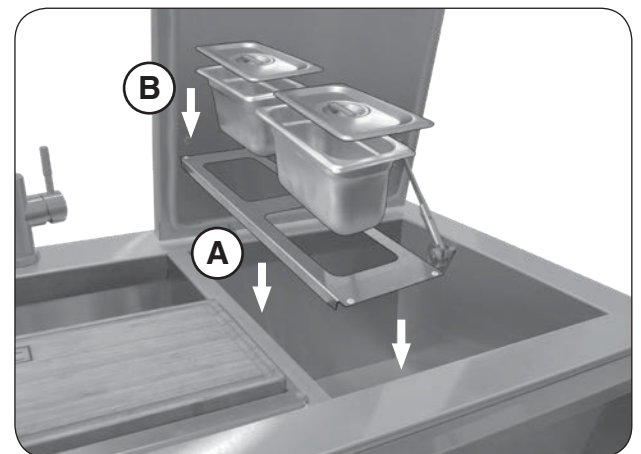


Fig. 6-2 Install condiment containers

OPERATION

BOTTLE SHELF

The bottle shelf allows for bottle storage, keeping them within reach at all times.

MAGNETIC BOTTLE OPENER

A magnetic bottle opener is located on the right side of the front panel. To use simply insert the top of the bottle. Then pull the bottom of the bottle downward until the cap is removed as shown in Fig. 7-2. The cap will stick to the magnet instead of falling to the ground. Remove the cap from the magnet and discard.

TOWEL RACK

The towel rack is located below the front panel. A towel may be hung to keep the beverage center clean and dry during use. See Fig. 7-3.

DRAIN PLUGS

This unit comes equipped with two drain plugs. Use the drain plug on the ice bucket side to trap the ice and keep your drinks cold for an extended time. The faucet side may be plugged to hold water, or also turned into an ice bucket if desired. See Fig. 7-4.



Fig. 7-1 Bottle shelf

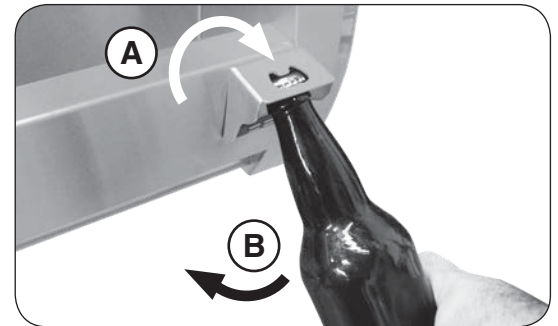


Fig. 7-2 Magnetic bottle opener



Fig. 7-3 Towel rack



Fig. 7-4 Drain plug

CLEANING YOUR UNIT

Before & After Each Use

- 1. Inspect and clean the surfaces of the unit:** Clean any dust, grease, splatter, or spills as needed with a damp clean cloth. Wash out the sink areas.
- 2. Inspect and clean the components:** Clean all components with a soapy water solution and a clean cloth.
- 3. Inspect and empty waste water container (if applicable):** If a waste water container exists beneath the sink (instead of a drainpipe), the container must be periodically checked and emptied when full. Clean as needed.



Fig. 8-1 Wipe with grain

Twice A Year (or as needed) - Exterior Surfaces

Use a grill cleaner (or a soapy water solution) and a clean cloth to remove grease and dirt from the outside of the unit. For tough deposits, a copper pad can be used. Always wipe with the grain. Rinse and dry completely. Then follow up with a stainless steel cleaner and a clean cloth. DO NOT use other cleaners or chemicals.

If this routine cleaning is not performed, the stainless steel may become dull and develop surface rust (due to use and atmospheric conditions). If left uncleaned, significant damage and pitting may occur.

Important: DO NOT use steel wool, any other metal tools, or any other cleaners/chemicals to clean the exterior other than recommended above. Such items promote rust.

SERVICING AND CLEANING (cont.)

For Environments High In Salt, Chloride, Or Other Corrosive Chemicals

When this unit is installed in a corrosive environment such as near the ocean (salt air), poolside (chlorine and/or pool chemicals) or any other location with exposure to high salt/chloride content or corrosive chemicals/solutions, it will be more susceptible to corrosion and **MUST** be maintained/cleaned **more frequently**.

- **DO NOT** store any corrosive chemicals (chlorine, hydrochloric acid, fertilizer, etc.) near your stainless steel unit.
- **DO NOT** allow any corrosive materials (masonry dust, debris, etc.) to settle on your stainless steel unit.
- These environments, chemicals, and materials may cause the 304 stainless steel to develop surface rust and consequently pitting. Under these conditions the unit exterior **MUST** be cleaned at least monthly. Inspect your unit often and clean accordingly.

Protecting Your Unit

An optional vinyl cover will protect your unit when not in use. Install the cover on a dry unit. **DO NOT** cover a damp unit. During high humidity or after rainy conditions, remove the cover to dry trapped moisture if present. (If the cover is installed over a damp unit it can cause surface rust.)

Ensure that the **INSIDE** of the cover is DRY before putting it back on the unit.

Always remove items from the bottle shelf before covering.

Uncover the beverage center with care. Always lift or slide the cover gently off the faucet. Never pull sideways, as the faucet could become damaged or loosened.

LID REMOVAL

1. Using a Phillips screwdriver, remove the screw from the hinge on the right side of the lid (see Fig. 10-1).
2. Carefully slide the lid to the left to free it from all hinges and fully remove the lid (see Fig. 10-2).
3. Slide the soft close hinge downward as shown in Fig. 10-3.

To reattach the lid, reverse the previous steps.

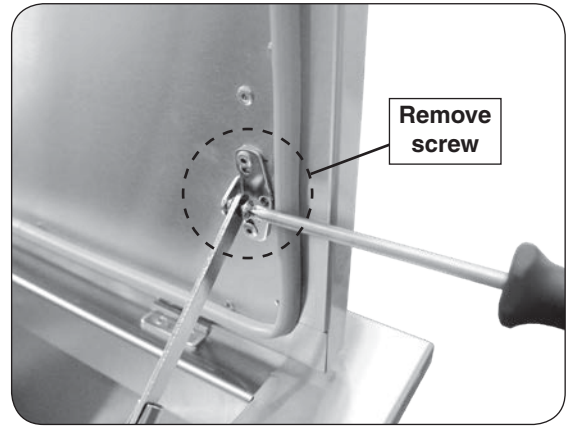


Fig. 10-1 Hinge screw removal

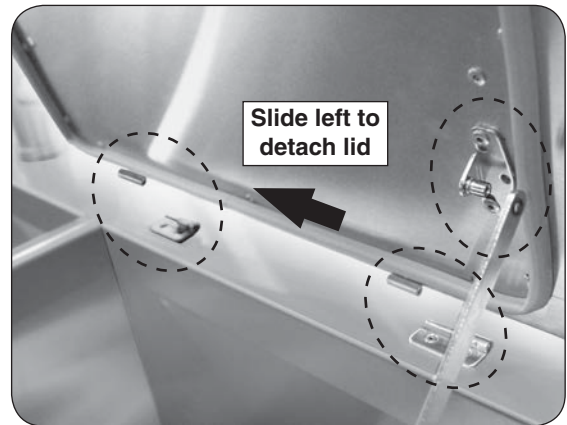


Fig. 10-2 Lid removal



Fig. 10-3 Hinge storage