

# Honeywell E-Mon

# E-Mon<sup>®</sup> Class 6000 333mV Current Sensor Specifications

## PRODUCT DATA

### IMPORTANT

Current Sensors *MUST* be used with E-Mon Class 6000 series meters. These current sensors may not be used with any other E-Mon product.

## SPECIFICATIONS

**Wire Leads:** 6ft [1.8m] 18AWG black/white twisted  
UL1015 105°C 600V

**Secondary Output:** 0.333VAC, full-scale

**Accuracy (typical):** 0.5%

**Linearity:** 10% - 120%

### Polarity

White (X1—Hi)  
Black (X2—Low)

**Phase Direction Arrow** points toward Load

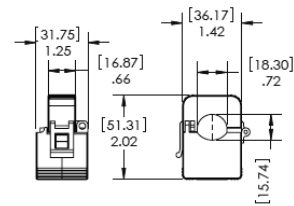


Fig. 2. 50 Amp 333V Split-Core 1 piece  
model #: E10050-333V.

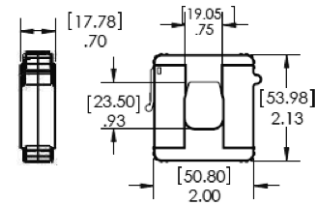


Fig. 3. 100 Amp 0.333V Split-Core 1 piece  
model E10100-333V.

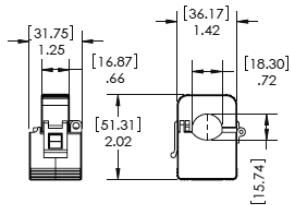


Fig. 1. 25 Amp 333V Split-Core 1 piece  
model #: E10025-333V.

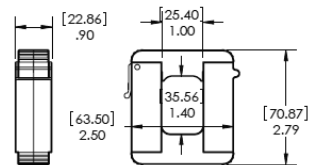
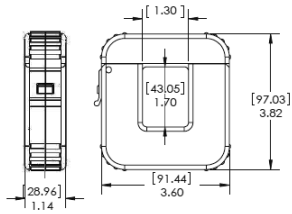
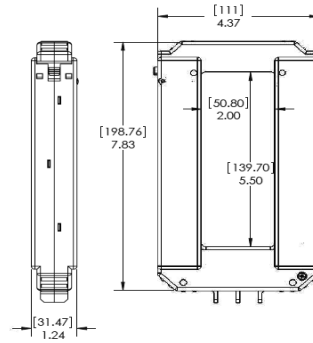


Fig. 4. 200 Amp 333V Split-Core 1 piece  
model #: E10200-333V.

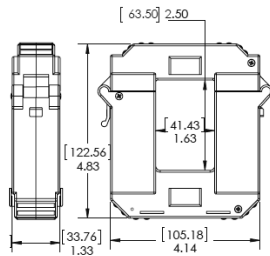




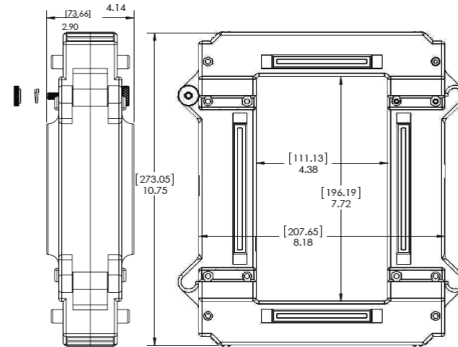
**Fig. 5. 400 Amp 0.333V Split-Core 1 piece model E10400-333V.**



**Fig. 7. 1600 Amp 333V Split-Core 1 piece model #: E101600-333V.**



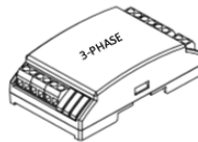
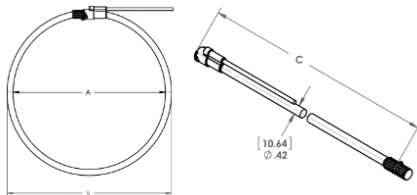
**Fig. 6. 800 Amp 333V Split-Core 1 piece model #: E10800-333V.**



**Fig. 8. 3200 Amp 333V Split-Core 1 piece model #: E103200-333V.**

- (A) COIL OD 5.0" [12.70]
- (B) COIL OD 5.8" [14.73]
- COIL LENGTH (C) 16" [40.64]

Please note: integrator requires regulated power supply 110V/12VDC/1A; order as 1 each model number 04-4040



**Fig. 9. 5000 Amp 333V Split-Rope 3 piece model #: E-RS-5000-MV333V includes integrator requires 1 each power supply PN# 04-4040.**

**Honeywell Building Technologies**

In the U.S.:  
 Honeywell  
 715 Peachtree Street NE  
 Atlanta, GA 30308  
 customer.honeywell.com  
 (800) 334-3666

**Honeywell E-Mon**