



E-Mon® Class 6200 Pulse Meter

- EM3S-V-P-D
- EM3S-V-P-J
- EM3S-V-P-R
- EM3S-V-P-ER

Installation and Operating Instructions

Online documentation



<https://hwll.co/dyut5>

MU1B-0670GE51 Rev. C

EN WARNING

PRE-INSTALLATION INFORMATION

The E-Mon® Class 6200 meter is a 3-phases meter used to monitor electric power usage of individual loads after the utility meter. Carefully read these operating instructions completely through before mounting and commissioning. For your own safety and for operational reliability, comply with all warnings and instructions. The provided protection can be impaired if the unit is not used in accordance with these operating instructions.

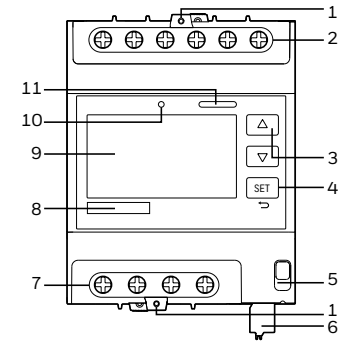
WARNING

Use of this instrument, Class 6200, in a manner inconsistent with this manual or not specified by the manufacturer in writing, can cause permanent damage to the unit and/or serious injury to the operator. The protection and safety features provided by this equipment may become impaired or otherwise compromised. High voltages present on main terminal block screw terminals. Risk of serious injury and/or electrical shock exists. Prior to performing any wiring operations, review all contents of the user manual and de-energize the MAINS power switch. Only qualified personnel should perform installation wiring. Installation wiring must comply with all local and national electrical codes.

WARNING

Please read markings printed on meter side. Carefully read these instructions and "Quick Starting Guide" (included in the package) completely thoroughly before installation.

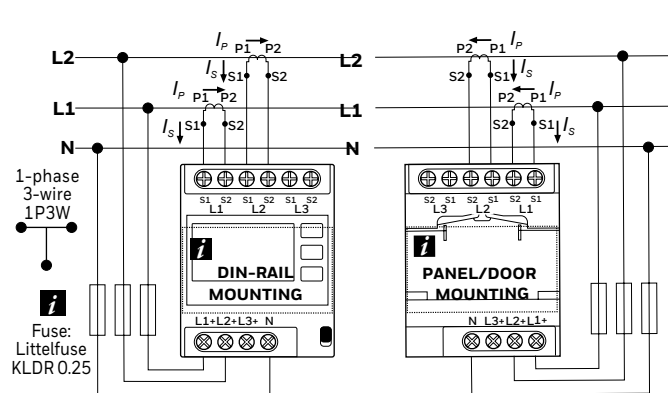
PRODUCT OVERVIEW



Description	Function
1 Seal lock	Seal lock
2 Current Sensor Terminals	Inputs for current measurement
3 Up/Down Buttons	Use to navigate «up/down» or «left/right»
4 Set/Back Button	Short press = confirm; Long press = back
5 Setup lock	Setup lock
6 I/O Terminal	Push-in connector for I/O or Pulse meter
7 Voltage Terminals	Inputs for Voltage measurement
8 Manufacturer Specific ID	Manufacturer Specific ID
9 LCD-Display	User interface
10 Metrology LED	1000 imp/kWh (infrared)
11 Status LED	Shows the meter status

INSTALLATION

Single-Phase Three-Wire schematic

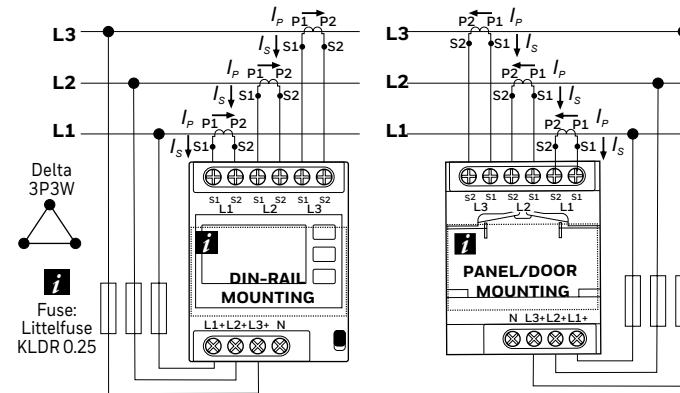


DANGER HIGH VOLTAGE! Voltage rating: 100/200 ... 230/460 VAC

- S1: Positive connection (White wire of current sensor)
- S2: Negative connection (Black wire of current sensor)

INSTALLATION

Three-Phase Three-Wire Delta schematic

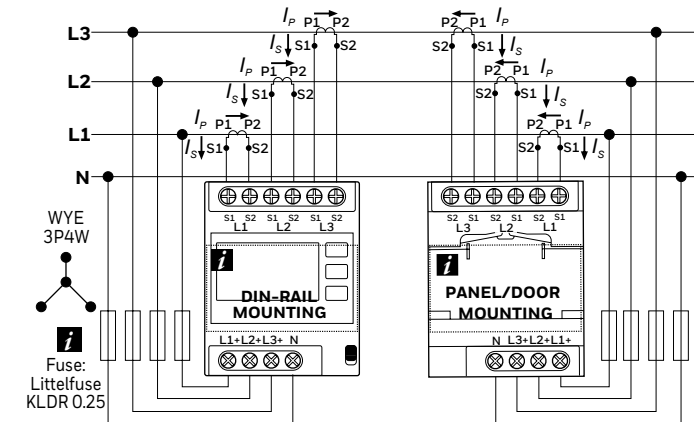


DANGER HIGH VOLTAGE! Voltage rating: 100 ... 277 VAC

- S1: Positive connection (White wire of current sensor)
- S2: Negative connection (Black wire of current sensor)

INSTALLATION

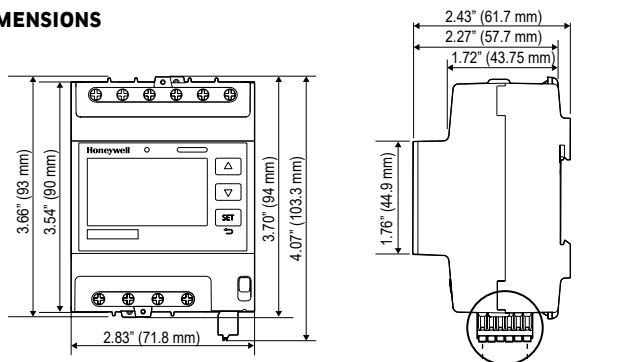
Three-Phase Four-Wire Wye schematic



DANGER HIGH VOLTAGE! Voltage rating: 57.7/100 ... 277/480 VAC

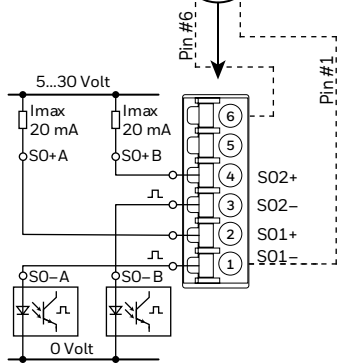
- S1: Positive connection (White wire of current sensor)
- S2: Negative connection (Black wire of current sensor)

DIMENSIONS



I/O WIRING

Type: P - S0



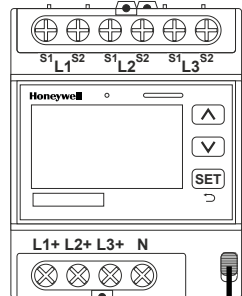
Cable length max: 3200 ft (1000 m)
 Cable gauge: 1 mm² AWG17
 Type: Solid copper with a twisted unshielded pair
 Rating: UL1015 / 600VAC

SEALING

The grey rotating terminal blocks must be clipped and fixed to the meter before wiring.

Max. diameter for lead-sealing wire 1 mm² AWG17

Slide left to seal terminals



Slide right to seal terminals

Max. diameter for power cables 0.75 mm² to 2.5 mm² / AWG14 to AWG18 at maximum 0.8 Nm.

The grey rotating terminal blocks must be clipped and fixed to the meter before wiring.

Setup lock Slide down to lock setup

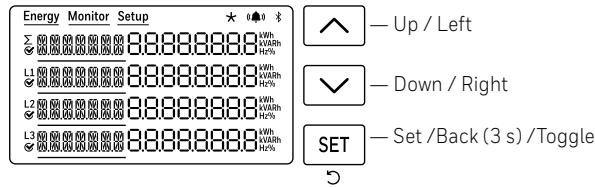
DISPLAY

Status Icons

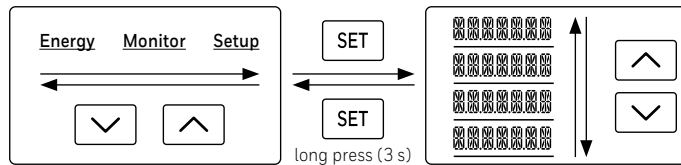
Σ Sum L1 L2 L3 Total value of L1 L2 L3

✓ Selected Selectes Item from the List

Buttons



Operation



CERTIFICATION

Declaration of conformity

Download the Declaration of conformity by scanning the QR codes with a QR code reader on your mobile device or click on link <https://hwll.co/dyut5>.



FCC Notices

Contains FCC ID: SQGBL654



The enclosed device complies with Part 15 of the FCC Rules. Operation is subject to the following two conditions: (1) This device may not cause harmful interference, and (2) This device must accept any interference received, including interference that may cause undesired operation.

This equipment has been tested and found to comply with the limits for a Class B digital device, pursuant to Part 15 of the FCC Rules.

These limits are designed to provide reasonable protection against harmful interference in a residential installation. This equipment generates, uses and can radiate radio frequency energy and, if not installed and used in accordance with the instructions, may cause harmful interference to radio communications. However, there is no guarantee that interference will not occur in a particular installation. If this equipment does cause harmful interference to radio or television reception, which can be determined by turning the equipment off and on, the user is encouraged to try to correct the interference by one of the following measures:

- Reorient or relocate the receiving antenna.
- Increase the separation between the equipment and receiver.
- Connect the equipment into an outlet on a circuit different from that to which the receiver is connected.
- Consult the dealer or an experienced radio/TV technician for help.

FCC Caution: Any changes or modifications not expressly approved by the party responsible for compliance could void the user's authority to operate this equipment.

DISPLAY MENUS

ENERGY	MONITOR	SETUP
Total Registers	Instant	Reset Registers
Active Energy	Line-Neutral Voltage (-N U)	Reset Partial Reg.
Import (+A)	Line-Line Voltage (-1,2,3 U)	Reset Min/Max/Avg.
Export (-A)	Current (I)	Reset PEAK
Demand	Active Power (+A)	System (Wiring)
Active (+A)	Active Power (-A)	3P4W
Import (+A)	Reactive Power (+R)	P1-P3+N
Export (-A)	Reactive Power (-R)	P2-P3+N
Maximum Demand	Apparent Power (+S)	P1-P2+N
Active Energy	Apparent Power (-S)	3P3W
Import (+A)	Frequency (F)	P1+N
Export (-A)	Power Factor	P2+N
Partial	Min (Minimum)	P3+N
Import (+A)	Line-Neutral Voltage	Frequency
Export (-A)	Line-Line Voltage	50 Hz
Sum (+AP)+(-AP)	Current (I)	60 Hz
Difference (+AP)-(-AP)	Active Power (I+A + A)	Supply*
	Active Net Power (I+A - A)	277/480
		240/415
	Average	230/400
	Line-Neutral Voltage	220/380
	Line-Line Voltage	127/220
	Current (I)	120/208
	Active Power (I+A + A)	Wiring Check**
	Active Net Power (I+A - A)	Acknowledge
	Max (Maximum)	Phase direction
	Line-Neutral Voltage	System
	Line-Line Voltage	In / Out
	Current (I)	CS Ratio Primary
	Active Power (I+A + A)	Set Value
	Active Net Power (I+A - A)	CS Ratio Secondary
		Set Value
		Display
		Backlight (On/Off)
		Clock
		Time/Date
		Info
		Port 1
		Pulse Ratio (mS)
		Pulse Duration (mS)
		React to
		Port 2

*System voltage options will be vary as per set System (Wiring) selection.

**Different types of errors as per instance will be visible under this option.