



# REENGINEERED FOR RESILIENCE & VALUE

VR Series Butterfly Valves  
MB Series Actuators

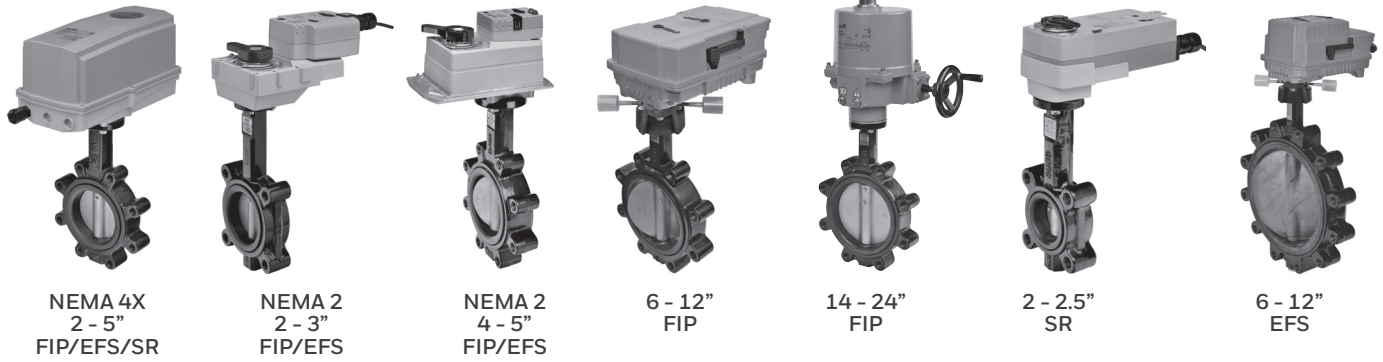


## **The Control Valves You Trust for Crucial Applications**

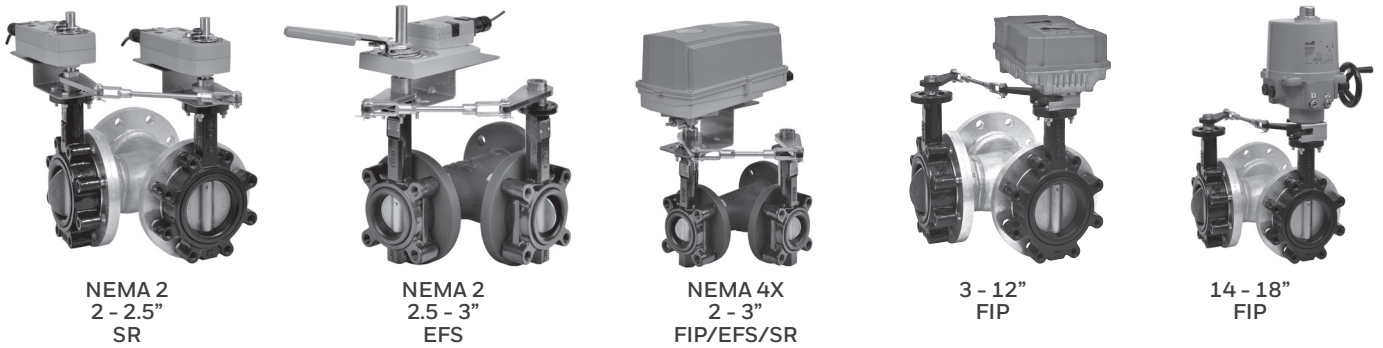
Greater versatility. Tougher durability. Easier to see, easier to use, and backed by longer warranties. At Honeywell, a control valve is never “just a control valve,” because we never stop looking for ways to improve the value they bring to your operations.

Our reengineered portfolio of control valves and actuators ensures you have the tools you need for any application – and this guide will help you quickly find the right ones.

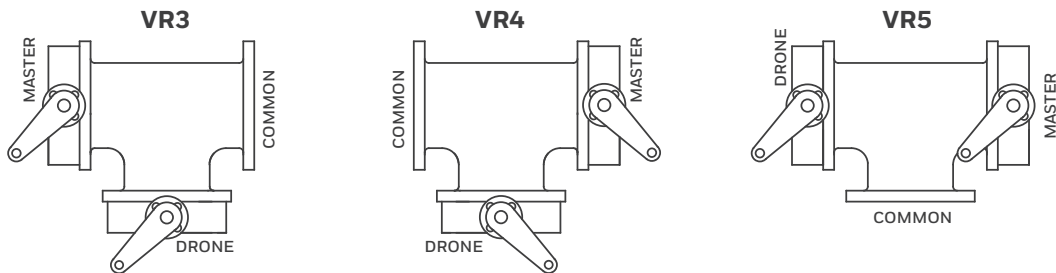
## VR2 Series Butterfly Valves



## VR3, VR4 and VR5 Series Butterfly Valves



VR3, VR4 and VR5 valves are not flow directional. Can be used in both mixing and diverting applications.



### LEGEND

**VR** = Valve Resilient  
(Resilient Seated Butterfly Valves)

**VR2** = Valve Resilient 2-Way

**VR3** = Valve Resilient 3-Way

**VR4** = Valve Resilient 3-Way

**VR5** = Valve Resilient 3-Way

**MB** = Motor Butterfly

**FIP** = Fail in Place

**MBP** = Actuator Type for Fail-in-Place  
(Motor Butterfly Place)

**SR** = Spring Return Fail-Safe

**MBS** = Actuator Type for Spring Return  
(Motor Butterfly Spring)

**EFS** = Electronic Fail-Safe

**MBE** = Actuator Type for Electronic Fail-Safe  
(Motor Butterfly Electronic Fail-Safe)

# 2-Way Butterfly Valves

## VR2 – 2 through 5 inches

Fail-In-Place Actuators

5-Year Warranty

Heater Option – Must be ordered with the assembly. Cannot be field installed.

Aux Switch – Can be field installed.

Control Signal	Floating	•	•		
	2-Position SPDT	•	•		
	Modulating 2-10Vdc			•	•
Enclosure Rating	NEMA2	•		•	
	NEMA4X		•		•
Heater Option	(for NEMA4X)		MB-NSR-N4HEAT/U		MB-NSR-N4HEAT/U
Power Supply Voltage	24Vac/Vdc	•	•	•	•
	24-240Vac				
Aux Switch	Add-On	MB-NSR-SWITCH/U	MB-NSR-SWITCH/U	MB-NSR-SWITCH/U	MB-NSR-SWITCH/U
Feedback	2-10Vdc				

Valve Size (inches)	Cv @ 60°	Cv @ 90°	Close-off (psi)					
2	44	115	200	Valve/Actuator Assembly	VR2F6LPN2/M	VR2F6LPN4/M	VR2F7LPF2/M	VR2F7LPF4/M
				Replacement Actuator (included in assembly)	MBP6L2N2/U	MBP6L4N4/U	MBP7L2F2/U	MBP7L4F4/U
2.5	75	196	200	Valve/Actuator Assembly	VR2G6LPN2/M	VR2G6LPN4/M	VR2G7LPF2/M	VR2G7LPF4/M
				Replacement Actuator (included in assembly)	MBP6L2N2/U	MBP6L4N4/U	MBP7L2F2/U	MBP7L4F4/U
3	116	302	200	Valve/Actuator Assembly	VR2H6LPN2/M	VR2H6LPN4/M	VR2H7LPF2/M	VR2H7LPF4/M
				Replacement Actuator (included in assembly)	MBP6L4N2/U	MBP6L4N4/U	MBP7L4F2/U	MBP7L4F4/U
4	230	600	200	Valve/Actuator Assembly	VR2J6LPN2/M	VR2J6LPN4/M	VR2J7LPF2/M	VR2J7LPF4/M
				Replacement Actuator (included in assembly)	MBP6L5N2/U	MBP6L5N4/U	MBP7L5F2/U	MBP7L5F4/U
5	392	1022	200	Valve/Actuator Assembly	VR2K6LPN2/M	VR2K6LPN4/M	VR2K7LPF2/M	VR2K7LPF4/M
				Replacement Actuator (included in assembly)	MBP6L5N2/U	MBP6L5N4/U	MBP7L5F2/U	MBP7L5F4/U

## VR2 – 6 through 12 inches

Fail-In-Place Actuators

5-Year Warranty

Control Signal	Floating		•	
	2-Position SPDT		•	
	Modulating 2-10Vdc			•
Enclosure Rating	NEMA4X		•	•
Heater Option	(for NEMA4X)	Built in (Standard)		Built in (Standard)
Power Supply Voltage	24-240Vac		•	•
Aux Switch	Built-In	2 x SPDT		2 x SPDT
Feedback	2-10Vdc			•

Valve Size (inches)	Cv @ 60°	Cv @ 90°	Close-off (psi)			
6	605	1,579	200	Valve/Actuator Assembly	VR2L6UPSH/M	VR2L7UPBH/M
				Replacement Actuator (included in assembly)	MBP6U6SH/U	MBP7U6BH/U
8	1,202	3,136	200	Valve/Actuator Assembly	VR2M6UPSH/M	VR2M7UPBH/M
				Replacement Actuator (included in assembly)	MBP6U7SH/U	MBP7U7BH/U
10	2,047	5,340	200	Valve/Actuator Assembly	VR2N6UPSH/M	VR2N7UPBH/M
				Replacement Actuator (included in assembly)	MBP6U8SH/U	MBP7U8BH/U
12	3,162	8,250	200	Valve/Actuator Assembly	VR2P6UPSH/M	VR2P7UPBH/M
				Replacement Actuator (included in assembly)	MBP6U6SH/U	MBP7U6BH/U

# 2-Way Butterfly Valves

## VR2 – 14 through 24 inches

Fail-In-Place Actuators

2-Year Warranty

Valve Size (inches)	Cv @ 60°	Cv @ 90°	Close-off (psi)	Control Signal	Floating				
				Control Signal	Floating	•		•	
					2-Position SPDT	•		•	
					Modulating 2-10Vdc		•		•
				Enclosure Rating	NEMA4X	•	•	•	•
				Heater Option	(for NEMA4X)	Built in (Standard)	Built in (Standard)	Built in (Standard)	Built in (Standard)
				Power Supply Voltage	24Vac	•	•		
					120Vac			•	•
				Aux Switch	Built-In	2 x SPDT	2 x SPDT	2 x SPDT	2 x SPDT
				Feedback	2-10Vdc		•		•
Valve Size (inches)	Cv @ 60°	Cv @ 90°	Close-off (psi)	Fail-Safe Open					
14	4,658	11,917	150	Valve/Actuator Assembly	VR2R6LPSH/M	VR2R7LPBH/M			
				Replacement Actuator (included in assembly)	MBP6LBSH/U	MBP7LBBH/U			
16	6,282	16,388	150	Valve/Actuator Assembly			VR2S6HPSH/M	VR2S7HPBH/M	
				Replacement Actuator (included in assembly)			MBP6HCSH/U	MBP7HCBH/U	
18	8,320	21,705	150	Valve/Actuator Assembly			VR2T6HPSH/M	VR2T7HPBH/M	
				Replacement Actuator (included in assembly)			MBP6HESH/U	MBP7HEBH/U	
20	10,698	27,908	150	Valve/Actuator Assembly			VR2U6HPSH/M	VR2U7HPBH/M	
				Replacement Actuator (included in assembly)			MBP6HESH/U	MBP7HEBH/U	
24	16,528	43,116	150	Valve/Actuator Assembly			VR2V6HPSH/M	VR2V7HPBH/M	
				Replacement Actuator (included in assembly)			MBP6HSHH/U	MBP7HHBH/U	

## VR2 – 2 through 2.5 inches

Spring Return Actuators

5-Year Warranty

Heater Option – Must be ordered with the assembly. Cannot be field installed.

Valve Size (inches)	Cv @ 60°	Cv @ 90°	Close-off (psi)	Control Signal	2-Position SPST								
				Control Signal	2-Position SPST	•	•	•	•	•	•	•	•
					Modulating 2-10Vdc	•	•	•	•				
				Enclosure Rating	NEMA2	•			•		•		
					NEMA4X		•		•		•		•
				Heater Option	(for NEMA4X)		MB-SR-N4HEAT/U		MB-SR-N4HEAT/U		MB-SR-N4HEAT/U		MB-SR-N4HEAT/U
				Power Supply Voltage	24Vac/Vdc	•	•	•	•				
					24-240Vac					•	•	•	•
				Aux Switch	Built-In	2 x SPDT	2 x SPDT			2 x SPDT	2 x SPDT		
				Feedback	2-10Vdc	•	•	•	•				
Valve Size (inches)	Cv @ 60°	Cv @ 90°	Close-off (psi)	Fail-Safe Open									
2	44	115	200	Valve/Actuator Assembly	VR2F7LSB2/M	VR2F7LSB4/M	VR2F7LSF2/M	VR2F7LSF4/M	VR2F8USS2/M	VR2F8USS4/M	VR2F8USN2/M	VR2F8USN4/M	
				Replacement Actuator (included in assembly)	MBS7L3B2/U	MBS7L3B4/U	MBS7L3F2/U	MBS7L3F4/U	MBS8U3S2/U	MBS8U3S4/U	MBS8U3N2/U	MBS8U3N4/U	
2.5	75	196	200	Valve/Actuator Assembly	VR2G7LSB2/M	VR2G7LSB4/M	VR2G7LSF2/M	VR2G7LSF4/M	VR2G8USS2/M	VR2G8USS4/M	VR2G8USN2/M	VR2G8USN4/M	
				Replacement Actuator (included in assembly)	MBS7L3B2/U	MBS7L3B4/U	MBS7L3F2/U	MBS7L3F4/U	MBS8U3S2/U	MBS8U3S4/U	MBS8U3N2/U	MBS8U3N4/U	
				Fail-Safe Closed									
2	44	115	200	Valve/Actuator Assembly	VR2F7LTB2/M	VR2F7LTB4/M	VR2F7LTF2/M	VR2F7LTF4/M	VR2F8UTS2/M	VR2F8UTS4/M	VR2F8UTN2/M	VR2F8UTN4/M	
				Replacement Actuator (included in assembly)	MBS7L3B2/U	MBS7L3B4/U	MBS7L3F2/U	MBS7L3F4/U	MBS8U3S2/U	MBS8U3S4/U	MBS8U3N2/U	MBS8U3N4/U	
2.5	75	196	200	Valve/Actuator Assembly	VR2G7LTB2/M	VR2G7LTB4/M	VR2G7LTF2/M	VR2G7LTF4/M	VR2G8UTS2/M	VR2G8UTS4/M	VR2G8UTN2/M	VR2G8UTN4/M	
				Replacement Actuator (included in assembly)	MBS7L3B2/U	MBS7L3B4/U	MBS7L3F2/U	MBS7L3F4/U	MBS8U3S2/U	MBS8U3S4/U	MBS8U3N2/U	MBS8U3N4/U	

# 2-Way Butterfly Valves

## VR2 – 3 and 4 inches

Electronic Fail-Safe Actuators

5-Year Warranty

Fail-Safe Position Field  
Selectable

Factory Configured to Normally  
Closed / Fail Closed

Heater Option – Must be ordered  
with the assembly. Cannot be  
field installed.

Aux Switch – Can be field  
installed.

Control Signal	Floating	•	•		
	2-Position SPDT	•	•		
	Modulating 2-10Vdc			•	•
Enclosure Rating	NEMA2	•		•	
	NEMA4X		•		•
Heater Option	(for NEMA4X)		MB-NSR-N4HEAT/U		MB-NSR-N4HEAT/U
Power Supply Voltage	24Vac/Vdc	•	•	•	•
Aux Switch	Add-On	MB-NSR-SWITCH/U	MB-NSR-SWITCH/U	MB-NSR-SWITCH/U	MB-NSR-SWITCH/U
Feedback	2-10Vdc			•	•

Valve Size (inches)	Cv @ 60°	Cv @ 90°	Close-off (psi)					
3	116	302	200	Valve/Actuator Assembly	VR2H6LEN2/M	VR2H6LEN4/M	VR2H7LEF2/M	VR2H7LEF4/M
				Replacement Actuator (included in assembly)	MBE6L4N2/U	MBE6L4N4/U	MBE7L4F2/U	MBE7L4F4/U
4	230	600	200	Valve/Actuator Assembly	VR2J6LEN2/M	VR2J6LEN4/M	VR2J7LEF2/M	VR2J7LEF4/M
				Replacement Actuator (included in assembly)	MBE6L5N2/U	MBE6L5N4/U	MBE7L5F2/U	MBE7L5F4/U

## VR2 – 5 through 12 inches

Electronic Fail-Safe Actuators

5-Year Warranty

Fail-Safe Position Field  
Selectable

Factory Configured to Normally  
Closed / Fail Closed

Control Signal	Floating	•	
	2-Position SPDT	•	
	Modulating 2-10Vdc		•
Enclosure Rating	NEMA4X	•	•
Heater Option	(for NEMA4X)	Built in (Standard)	Built in (Standard)
Power Supply Voltage	24-240Vac	•	•
Aux Switch	Built-In	2 x SPDT	2 x SPDT
Feedback	2-10Vdc		•

Valve Size (inches)	Cv @ 60°	Cv @ 90°	Close-off (psi)			
5	392	1,022	200	Valve/Actuator Assembly	VR2K6UESH/M	VR2K7UEBH/M
				Replacement Actuator (included in assembly)	MBE6U6SH/U	MBE7U6BH/U
6	605	1,579	200	Valve/Actuator Assembly	VR2L6UESH/M	VR2L7UEBH/M
				Replacement Actuator (included in assembly)	MBE6U6SH/U	MBE7U6BH/U
8	1,202	3,136	200	Valve/Actuator Assembly	VR2M6UESH/M	VR2M7UEBH/M
				Replacement Actuator (included in assembly)	MBE6U7SH/U	MBE7U7BH/U
10	2,047	5,340	200	Valve/Actuator Assembly	VR2N6UESH/M	VR2N7UEBH/M
				Replacement Actuator (included in assembly)	MBE6U8SH/U	MBE7U8BH/U
12	3,162	8,250	200	Valve/Actuator Assembly	VR2P6UESH/M	VR2P7UEBH/M
				Replacement Actuator (included in assembly)	MBE6U6SH/U	MBE7U6BH/U

# 3-Way Butterfly Valves

## VR3 / VR4 / VR5 – 2 through 3 inches

Fail-In-Place Actuators

5-Year Warranty

Heater Option – Must be ordered with the assembly. Cannot be field installed.

Aux Switch – Can be field installed.

Control Signal	Floating	•	•		
	2-Position SPDT Modulating 2-10Vdc	•	•		
Enclosure Rating	NEMA2	•		•	
	NEMA4X		•		•
Heater Option	(for NEMA4X)		MB-NSR-N4HEAT/U		MB-NSR-N4HEAT/U
Power Supply Voltage	24Vac/Vdc	•	•	•	•
Aux Switch	Add-On	MB-NSR-SWITCH/U	MB-NSR-SWITCH/U	MB-NSR-SWITCH/U	MB-NSR-SWITCH/U
Feedback	2-10Vdc			•	•

Valve Size (inches)	Cv @ 60°	Cv @ 90°	Close-off (psi)	VR3 3-Way Configuration				
2	44	115	200	Valve/Actuator Assembly	VR3F6LPN2/M	n/a	VR3F7LPF2/M	VR3F7LPF4/M
				Replacement Actuator (included in assembly)	MBP6LAN2/U	n/a	MBP7L3F2/U	MBP7LRN4/U
2.5	75	196	200	Valve/Actuator Assembly	VR3G6LPN2/M	VR3G6LPN4/M	VR3G7LPF2/M	VR3G7LPF4/M
				Replacement Actuator (included in assembly)	MBP6LRN2/U	MBP6LRN4/U	MBP7LRF2/U	MBP7LRN4/U
3	116	302	200	Valve/Actuator Assembly	(next page)	(next page)	VR3H7LPF2/M	VR3H7LPF4/M
				Replacement Actuator (included in assembly)	(next page)	(next page)	MBP7LRF2/U	MBP7LRN4/U
				VR4 3-Way Configuration				
2	44	115	200	Valve/Actuator Assembly	VR4F6LPN2/M	n/a	VR4F7LPF2/M	VR4F7LPF4/M
				Replacement Actuator (included in assembly)	MBP6LAN2/U	n/a	MBP7L3F2/U	MBP7LRN4/U
2.5	75	196	200	Valve/Actuator Assembly	VR4G6LPN2/M	VR4G6LPN4/M	VR4G7LPF2/M	VR4G7LPF4/M
				Replacement Actuator (included in assembly)	MBP6LRN2/U	MBP6LRN4/U	MBP7LRF2/U	MBP7LRN4/U
3	116	302	200	Valve/Actuator Assembly	(next page)	(next page)	VR4H7LPF2/M	VR4H7LPF4/M
				Replacement Actuator (included in assembly)	(next page)	(next page)	MBP7LRF2/U	MBP7LRN4/U
				VR5 3-Way Configuration				
2	44	115	200	Valve/Actuator Assembly	VR5F6LPN2/M	n/a	VR5F7LPF2/M	VR5F7LPF4/M
				Replacement Actuator (included in assembly)	MBP6LAN2/U	n/a	MBP7L3F2/U	MBP7LRN4/U
2.5	75	196	200	Valve/Actuator Assembly	VR5G6LPN2/M	VR5G6LPN4/M	VR5G7LPF2/M	VR5G7LPF4/M
				Replacement Actuator (included in assembly)	MBP6LRN2/U	MBP6LRN4/U	MBP7LRF2/U	MBP7LRN4/U
3	116	302	200	Valve/Actuator Assembly	(next page)	(next page)	VR5H7LPF2/M	VR5H7LPF4/M
				Replacement Actuator (included in assembly)	(next page)	(next page)	MBP7LRF2/U	MBP7LRN4/U

# 3-Way Butterfly Valves

## VR3 / VR4 / VR5 – 3 through 12 inches

Fail-In-Place Actuators

5-Year Warranty

Control Signal	Floating 2-Position SPDT Modulating 2-10Vdc	•	
Enclosure Rating	NEMA4X Heater Option (for NEMA4X)	•	•
Power Supply Voltage	24-240Vac	•	•
Aux Switch	Built-In	2 x SPDT	2 x SPDT
Feedback	2-10Vdc	•	•

Valve Size (inches)	Cv @ 60°	Cv @ 90°	Close-off (psi)	VR3 3-Way Configuration		
3	116	302	200	Valve/Actuator Assembly	VR3H6UPNH/M	(previous page)
				Replacement Actuator (included in assembly)	MBP6U6SH/U	(previous page)
4	230	600	200	Valve/Actuator Assembly	VR3J6UPSH/M	VR3J7UPBH/M
				Replacement Actuator (included in assembly)	MBP6U6SH/U	MBP7U6BH/U
5	392	1,022	200	Valve/Actuator Assembly	VR3K6UPSH/M	VR3K7UPBH/M
				Replacement Actuator (included in assembly)	MBP6U6SH/U	MBP7U6BH/U
6	605	1,579	200	Valve/Actuator Assembly	VR3L6UPSH/M	VR3L7UPBH/M
				Replacement Actuator (included in assembly)	MBP6U6SH/U	MBP7U6BH/U
8	1,202	3,136	200	Valve/Actuator Assembly	VR3M6UPSH/M	VR3M7UPBH/M
				Replacement Actuator (included in assembly)	MBP6U7SH/U	MBP7U7BH/U
10	2,047	5,340	200	Valve/Actuator Assembly	VR3N6UPSH/M	VR3N7UPBH/M
				Replacement Actuator (included in assembly)	MBP6U8SH/U	MBP7U8BH/U
12	3,162	8,250	200	Valve/Actuator Assembly	VR3P6UPSH/M	VR3P7UPBH/M
				Replacement Actuator (included in assembly)	MBP6U6SH/U	MBP7U6BH/U
				VR4 3-Way Configuration		
3	116	302	200	Valve/Actuator Assembly	VR4H6UPNH/M	(previous page)
				Replacement Actuator (included in assembly)	MBP6U6SH/U	(previous page)
4	230	600	200	Valve/Actuator Assembly	VR4J6UPSH/M	VR4J7UPBH/M
				Replacement Actuator (included in assembly)	MBP6U6SH/U	MBP7U6BH/U
5	392	1,022	200	Valve/Actuator Assembly	VR4K6UPSH/M	VR4K7UPBH/M
				Replacement Actuator (included in assembly)	MBP6U6SH/U	MBP7U6BH/U
6	605	1,579	200	Valve/Actuator Assembly	VR4L6UPSH/M	VR4L7UPBH/M
				Replacement Actuator (included in assembly)	MBP6U6SH/U	MBP7U6BH/U
8	1,202	3,136	200	Valve/Actuator Assembly	VR4M6UPSH/M	VR4M7UPBH/M
				Replacement Actuator (included in assembly)	MBP6U7SH/U	MBP7U7BH/U
10	2,047	5,340	200	Valve/Actuator Assembly	VR4N6UPSH/M	VR4N7UPBH/M
				Replacement Actuator (included in assembly)	MBP6U8SH/U	MBP7U8BH/U
12	3,162	8,250	200	Valve/Actuator Assembly	VR4P6UPSH/M	VR4P7UPBH/M
				Replacement Actuator (included in assembly)	MBP6U6SH/U	MBP7U6BH/U
				VR5 3-Way Configuration		
3	116	302	200	Valve/Actuator Assembly	VR5H6UPNH/M	(previous page)
				Replacement Actuator (included in assembly)	MBP6U6SH/U	(previous page)
4	230	600	200	Valve/Actuator Assembly	VR5J6UPSH/M	VR5J7UPBH/M
				Replacement Actuator (included in assembly)	MBP6U6SH/U	MBP7U6BH/U
5	392	1,022	200	Valve/Actuator Assembly	VR5K6UPSH/M	VR5K7UPBH/M
				Replacement Actuator (included in assembly)	MBP6U6SH/U	MBP7U6BH/U
6	605	1,579	200	Valve/Actuator Assembly	VR5L6UPSH/M	VR5L7UPBH/M
				Replacement Actuator (included in assembly)	MBP6U6SH/U	MBP7U6BH/U
8	1,202	3,136	200	Valve/Actuator Assembly	VR5M6UPSH/M	VR5M7UPBH/M
				Replacement Actuator (included in assembly)	MBP6U7SH/U	MBP7U7BH/U
10	2,047	5,340	200	Valve/Actuator Assembly	VR5N6UPSH/M	VR5N7UPBH/M
				Replacement Actuator (included in assembly)	MBP6U8SH/U	MBP7U8BH/U
12	3,162	8,250	200	Valve/Actuator Assembly	VR5P6UPSH/M	VR5P7UPBH/M
				Replacement Actuator (included in assembly)	MBP6U6SH/U	MBP7U6BH/U



# 3-Way Butterfly Valves

## VR3 / VR4 / VR5 – 14 through 18 inches

Fail-In-Place Actuators

2-Year Warranty

Control Signal	Floating	•	
	2-Position SPDT	•	
	Modulating 2-10Vdc		•
Enclosure Rating	NEMA4X	•	•
Heater Option	(for NEMA4X)	Built In	Built In
Power Supply Voltage	120Vac	•	•
Aux Switch	Built-In	2 x SPDT	2 x SPDT
Feedback	2-10Vdc		•

Valve Size (inches)	Cv @ 60°	Cv @ 90°	Close-off (psi)	VR3 3-Way Configuration		
14	4,568	11,917	150	Valve/Actuator Assembly	VR3R6HPSH/M	VR3R7HPBH/M
				Replacement Actuator (included in assembly)	MBP6HCSH/U	MBP7HCBH/U
16	6,282	16,388	150	Valve/Actuator Assembly	VR3S6HPSH/M	VR3S7HPBH/M
				Replacement Actuator (included in assembly)	MBP6HDSH/U	MBP7HDBH/U
18	8,320	21,705	150	Valve/Actuator Assembly	VR3T6HPSH/M	VR3T7HPBH/M
				Replacement Actuator (included in assembly)	MBP6HESH/U	MBP7HEBH/U
				VR4 3-Way Configuration		
14	4,568	11,917	150	Valve/Actuator Assembly	VR4R6HPSH/M	VR4R7HPBH/M
				Replacement Actuator (included in assembly)	MBP6HCSH/U	MBP7HCBH/U
16	6,282	16,388	150	Valve/Actuator Assembly	VR4S6HPSH/M	VR4S7HPBH/M
				Replacement Actuator (included in assembly)	MBP6HDSH/U	MBP7HDBH/U
18	8,320	21,705	150	Valve/Actuator Assembly	VR4T6HPSH/M	VR4T7HPBH/M
				Replacement Actuator (included in assembly)	MBP6HESH/U	MBP7HEBH/U
				VR5 3-Way Configuration		
14	4,568	11,917	150	Valve/Actuator Assembly	VR5R6HPSH/M	VR5R7HPBH/M
				Replacement Actuator (included in assembly)	MBP6HCSH/U	MBP7HCBH/U
16	6,282	16,388	150	Valve/Actuator Assembly	VR5S6HPSH/M	VR5S7HPBH/M
				Replacement Actuator (included in assembly)	MBP6HDSH/U	MBP7HDBH/U
18	8,320	21,705	150	Valve/Actuator Assembly	VR5T6HPSH/M	VR5T7HPBH/M
				Replacement Actuator (included in assembly)	MBP6HESH/U	MBP7HEBH/U

# 3-Way Butterfly Valves

## VR3 / VR4 / VR5 – 2 inches

Spring Return Actuators

5-Year Warranty

Valve Size (inches)	Cv @ 60°	Cv @ 90°	Close-off (psi)	Control Signal	2-Position SPST Modulating 2-10Vdc		
2	44	115	200	Enclosure Rating	NEMA2	•	•
				Power Supply Voltage	24Vac/Vdc	•	•
				Aux Switch	n/a	n/a	n/a
				Feedback	2-10Vdc		•
				<b>Master Actuator Fail Open / VR3 3-Way Configuration</b>			
				Valve/Actuator Assembly	VR3F8USN2/M		VR3F7LSF2/M
				Replacement Actuator (included in assembly)	MBS8U1N2/U		MBSTL1F2/U
				<b>Master Actuator Fail Closed / VR3 3-Way Configuration</b>			
				Valve/Actuator Assembly	VR3F8UTN2/M		VR3F7LTF2/M
				Replacement Actuator (included in assembly)	MBS8U1N2/U		MBSTL1F2/U
				<b>Master Actuator Fail Open / VR4 3-Way Configuration</b>			
				Valve/Actuator Assembly	VR4F8USN2/M		VR4F7LSF2/M
				Replacement Actuator (included in assembly)	MBS8U1N2/U		MBSTL1F2/U
				<b>Master Actuator Fail Closed / VR4 3-Way Configuration</b>			
				Valve/Actuator Assembly	VR4F8UTN2/M		VR4F7LTF2/M
				Replacement Actuator (included in assembly)	MBS8U1N2/U		MBSTL1F2/U
				<b>Master Actuator Fail Open / VR5 3-Way Configuration</b>			
				Valve/Actuator Assembly	VR5F8USN2/M		VR5F7LSF2/M
				Replacement Actuator (included in assembly)	MBS8U1N2/U		MBSTL1F2/U
				<b>Master Actuator Fail Closed / VR5 3-Way Configuration</b>			
				Valve/Actuator Assembly	VR5F8UTN2/M		VR5F7LTF2/M
				Replacement Actuator (included in assembly)	MBS8U1N2/U		MBSTL1F2/U

## VR3 / VR4 / VR5 – 2.5 and 3 inches

Electronic Fail-Safe Actuators

Fail-Safe Position Field  
Selectable

Factory Configured to  
Normally Closed / Fail Closed

Aux Switch – Can be field  
installed.

Valve Size (inches)	Cv @ 60°	Cv @ 90°	Close-off (psi)	Control Signal	Floating 2-Position SPDT Modulating 2-10Vdc		
2.5	75	196	200	Enclosure Rating	NEMA2	•	•
				Power Supply Voltage	24Vac/Vdc	•	•
				Aux Switch	Add-On	MB-NSR-SWITCH/U	MB-NSR-SWITCH/U
				Feedback	2-10Vdc		•
				<b>VR3 3-Way Configuration</b>			
				Valve/Actuator Assembly	VR3G8LEN2/M		VR3G7LEF2/M
				Replacement Actuator (included in assembly)	MBE6LRN2/U		MBE7LRF2/U
				Valve/Actuator Assembly	VR3H6LEN2/M		VR3H7LEF2/M
				Replacement Actuator (included in assembly)	MBE6LRN2/U		MBE7LRF2/U
				<b>VR4 3-Way Configuration</b>			
				Valve/Actuator Assembly	VR4G8LEN2/M		VR4G7LEF2/M
				Replacement Actuator (included in assembly)	MBE6LRN2/U		MBE7LRF2/U
				Valve/Actuator Assembly	VR4H6LEN2/M		VR4H7LEF2/M
				Replacement Actuator (included in assembly)	MBE6LRN2/U		MBE7LRF2/U
				<b>VR5 3-Way Configuration</b>			
				Valve/Actuator Assembly	VR5G8LEN2/M		VR5G7LEF2/M
				Replacement Actuator (included in assembly)	MBE6LRN2/U		MBE7LRF2/U
				Valve/Actuator Assembly	VR5H6LEN2/M		VR5H7LEF2/M
				Replacement Actuator (included in assembly)	MBE6LRN2/U		MBE7LRF2/U

# 3-Way Butterfly Valves

## VR3 / VR4 / VR5 – 4 through 12 inches

Electronic Fail-Safe Actuators

5-Year Warranty

Fail-Safe Position Field  
Selectable

Factory Configured to Normally  
Closed / Fail Closed

Control Signal	Floating		•
	2-Position SPDT		•
	Modulating 2-10Vdc		•
Enclosure Rating	NEMA4X		•
Heater Option	(for NEMA4X)	Built In	Built In
Power Supply Voltage	24-240Vac		•
Aux Switch	Built-In	2 x SPDT	2 x SPDT
Feedback	2-10Vdc		•

Valve Size (inches)	Cv @ 60°	Cv @ 90°	Close-off (psi)	VR3 3-Way Configuration		
4	230	600	200	Valve/Actuator Assembly	VR3J6UESH/M	VR3J7UEBH/M
				Replacement Actuator (included in assembly)	MBE6U6SH/U	MBE7U6BH/U
5	392	1022	200	Valve/Actuator Assembly	VR3K6UESH/M	VR3K7UEBH/M
				Replacement Actuator (included in assembly)	MBE6U6SH/U	MBE7U6BH/U
6	605	1579	200	Valve/Actuator Assembly	VR3L6UESH/M	VR3L7UEBH/M
				Replacement Actuator (included in assembly)	MBE6U6SH/U	MBE7U6BH/U
8	1202	3136	200	Valve/Actuator Assembly	VR3M6UESH/M	VR3M7UEBH/M
				Replacement Actuator (included in assembly)	MBE6U7SH/U	MBE7U7BH/U
10	2047	5340	200	Valve/Actuator Assembly	VR3N6UESH/M	VR3N7UEBH/M
				Replacement Actuator (included in assembly)	MBE6U8SH/U	MBE7U8BH/U
12	3162	8250	200	Valve/Actuator Assembly	VR3P6UESH/M	VR3P7UEBH/M
				Replacement Actuator (included in assembly)	MBE6U6SH/U	MBE7U6BH/U
				VR4 3-Way Configuration		
4	230	600	200	Valve/Actuator Assembly	VR4J6UESH/M	VR4J7UEBH/M
				Replacement Actuator (included in assembly)	MBE6U6SH/U	MBE7U6BH/U
5	392	1022	200	Valve/Actuator Assembly	VR4K6UESH/M	VR4K7UEBH/M
				Replacement Actuator (included in assembly)	MBE6U6SH/U	MBE7U6BH/U
6	605	1579	200	Valve/Actuator Assembly	VR4L6UESH/M	VR4L7UEBH/M
				Replacement Actuator (included in assembly)	MBE6U6SH/U	MBE7U6BH/U
8	1202	3136	200	Valve/Actuator Assembly	VR4M6UESH/M	VR4M7UEBH/M
				Replacement Actuator (included in assembly)	MBE6U7SH/U	MBE7U7BH/U
10	2047	5340	200	Valve/Actuator Assembly	VR4N6UESH/M	VR4N7UEBH/M
				Replacement Actuator (included in assembly)	MBE6U8SH/U	MBE7U8BH/U
12	3162	8250	200	Valve/Actuator Assembly	VR4P6UESH/M	VR4P7UEBH/M
				Replacement Actuator (included in assembly)	MBE6U6SH/U	MBE7U6BH/U
				VR5 3-Way Configuration		
4	230	600	200	Valve/Actuator Assembly	VR5J6UESH/M	VR5J7UEBH/M
				Replacement Actuator (included in assembly)	MBE6U6SH/U	MBE7U6BH/U
5	392	1022	200	Valve/Actuator Assembly	VR5K6UESH/M	VR5K7UEBH/M
				Replacement Actuator (included in assembly)	MBE6U6SH/U	MBE7U6BH/U
6	605	1579	200	Valve/Actuator Assembly	VR5L6UESH/M	VR5L7UEBH/M
				Replacement Actuator (included in assembly)	MBE6U6SH/U	MBE7U6BH/U
8	1202	3136	200	Valve/Actuator Assembly	VR5M6UESH/M	VR5M7UEBH/M
				Replacement Actuator (included in assembly)	MBE6U7SH/U	MBE7U7BH/U
10	2047	5340	200	Valve/Actuator Assembly	VR5N6UESH/M	VR5N7UEBH/M
				Replacement Actuator (included in assembly)	MBE6U8SH/U	MBE7U8BH/U
12	3162	8250	200	Valve/Actuator Assembly	VR5P6UESH/M	VR5P7UEBH/M
				Replacement Actuator (included in assembly)	MBE6U6SH/U	MBE7U6BH/U

## VR Series Valves / MB Series Actuators

### Built for Crucial Applications

Electronic fail-safe with efficient supercap technology on 5–12 inch valves.

Spring return on 2–4 inch valves.  
Available as FO or FC.

Fail-in-place actuators also available.

### 5-Year Warranty

Long 5-year warranty for up to 12-inch sizes. 2-year warranty on larger sizes.

### Versatile

2-way valves from 2–24 inches.  
3-way valves, available in three port configurations, from 2–18 inches for a wide range of applications.

ANSI Class 125–150 lug pipe compatible connections.



### An Actuator for Every Application

Available with 2-position, floating (“tri-state”), or modulating (2–10 Vdc) control.

NEMA 2 and NEMA 4x, and heater options for the toughest installations.

### Easy to Use, Easy to See

Red position indicator makes it easy to see valve position from a distance.

Manual override on all models.

### Built Tough

Polymer-coated ductile-iron valve body for strength and durability with 232 psi cold working pressure.

Full-cut stainless-steel disk with EPDM-resilient seat for bubble-tight 200 psi close-off on 2–12 inch valves. 150 psi close-off on 14–24 inch valves.

### Find out more

Connect your building to your purpose.

[BuildingControls.Honeywell.com](http://BuildingControls.Honeywell.com)

### Honeywell Building Technologies

1985 Douglas Drive North  
Golden Valley, MN 55422-3992  
[www.honeywell.com](http://www.honeywell.com)

01-00115 | 03/19  
© 2019 Honeywell International Inc.

**Honeywell**