

Honeywell

CS/CSP/MCS Series Current Switches

INSTALLATION INSTRUCTIONS



WARNING

Failure to follow these instructions will result in death or serious injury.

AVERTISSEMENT

Le non-respect de ces instructions entraîne un risque de blessures graves, voire la mort.

WARNING

This product can expose you to chemicals including 1,3 Butadiene, which is known to the State of California to cause cancer and reproductive harm. For more information, go to www.P65Warnings.ca.gov

AVERTISSEMENT

Ce produit peut vous exposer à des produits chimiques, dont le 1,3-Butadiène, considéré par l'État de Californie comme étant cancérigène et nocif pour la reproduction. Pour en savoir plus, consultez le site www.P65Warnings.ca.gov

CAUTION

Hazard of electrical shock, explosion, and arc flash

- Follow ALL requirements in NFPA 70E for safe work practices and for Personal Protective Equipment (USA) and other applicable local codes when installing this product

- Only qualified electrical personnel should install this product
- Read, understand, and follow all instructions thoroughly
- Install only on insulated conductors
- Lock out and tag out all power sources prior to installation. Use properly rated voltage sensing instrument to determine no voltage is present

MISE EN GARDE

Risque de décharge électrique, d'explosion et d'arc électrique

- Respectez TOUTES les exigences de la norme NFPA 70E concernant les pratiques de travail sécuritaires et les équipements de protection individuelle (États-Unis), ainsi que les autres codes locaux applicables lors de l'installation de ce produit
- Seul le personnel qualifié dans le domaine électrique est autorisé à installer ce produit
- Lisez, comprenez et respectez scrupuleusement toutes les instructions
- N'installez que sur les conducteurs isolés
- Verrouillez et étiquetez toutes les sources d'alimentation avant l'installation. Utilisez un détecteur avec la tension nominale appropriée pour déterminer l'absence de tension

CAUTION

Automated equipment may start without warning

- Equipment monitored/operated by this device may start without warning. Keep clear of apparatus at all times

IMPORTANT

- Only qualified trade installers should install this product
- This product is not intended for life-safety applications
- Do not install in hazardous or classified locations
- The installer is responsible for all applicable codes
- This product must be installed in a suitable electrical enclosure
- Clamp sensor around **INSULATED CONDUCTOR ONLY, 600VAC MAX** to be monitored.



31-00432M-01

MISE EN GARDE

L'équipement automatisé peut commencer sans avertissement

- L'équipement surveillé/exploité par cet appareil peut commencer sans avertissement. Éloignez-le de l'appareil en tout temps

IMPORTANT

- Seuls les installateurs spécialisés sont autorisés à installer ce produit
- Ce produit n'est pas destiné aux applications de sécurité ou de sauvetage
- N'installez pas dans des endroits dangereux ou classés comme tels
- L'installateur est responsable de tous les codes applicables
- Ce produit doit être installé dans un boîtier électrique approprié
- Pincez le capteur UNIQUEMENT SUR LE CONDUCTEUR ISOLÉ (600 VCA max.) à surveiller.

INSTALLATION

CAUTION

Disconnect, lock out and tag out all power supplies during installation

MISE EN GARDE

Débranchez, verrouillez et étiquetez toutes les alimentations pendant l'installation

1. Determine mounting location for the sensor near the conductor to be monitored. The sensor should be located AT LEAST 1/2" from any uninsulated conductor.

For CSP split core sensors.

2. Sensor features a flexible iris which allows the sensor to hang on the conductor if local codes permit. A bracket is included for screw mounting or attaching to DIN rail. For screw mounting, drill two 3/32" pilot holes using the bracket as a template; ensure no drill shavings are present in enclosure.
3. Clamp sensor around INSULATED CONDUCTOR ONLY, 600VAC MAX to be monitored through the iris of the sensor. For CSP-NO-AVFD, monitor on LOAD side of VFD drive.
4. Snap the sensor into the mounting bracket.
5. Wire the output of the sensor to a control panel digital input loop not to exceed 30VAC/DC. Tighten terminals to 3.5 in-lb.

For CS/MCS solid core sensors,

1. Drill a single 3/32" pilot hole for mounting the sensor; ensure no drill shavings are present in enclosure.
2. Insert INSULATED CONDUCTOR ONLY, 600VAC MAX to be monitored through the iris of the sensor.
3. Reconnect the conductor and torque appropriately.
4. Wire the output of the sensor to a control panel digital input loop not to exceed 30VAC/DC wetting voltage. Tighten terminals to 3.5 in-lb.
5. Screw mount the sensor to the enclosure.
6. Wire the output of the sensor to a control panel digital input loop not to exceed 30VAC/DC. Tighten terminals to 3.5 in-lb.

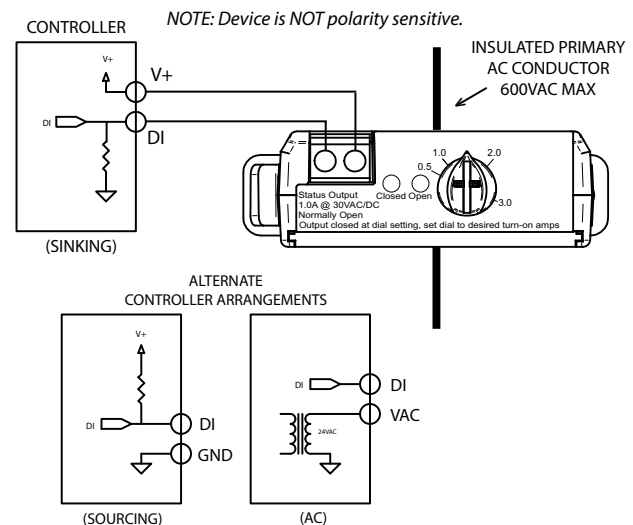
PRODUCT APPLICATION LIMITATION:

Honeywell products are not designed for life or safety applications. Honeywell products are not intended for use in critical applications such as nuclear facilities, human implantable device or life support. Honeywell is not liable, in whole or in part, for any claims or damages arising from such uses.

LIMITES DE L'APPLICATION DU PRODUIT

Les produits Honeywell ne sont pas conçus pour des applications de sécurité ou de sauvetage. Les produits Honeywell ne sont pas conçus pour les applications critiques, comme les installations nucléaires, les dispositifs implantables dans le corps humain ou d'assistance vitale. Honeywell n'est pas responsable, en tout ou en partie, des réclamations ou dommages découlant d'une telle utilisation.

WIRING EXAMPLES



NOTE: An AECM sensor is shown here, but diagram represents the wiring required for all sensors.

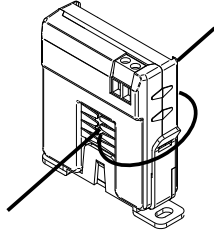
TECH TIPS

On low current loads, wrap sensor multiple times to increase sensitivity



CAUTION

Do not exceed sensor maximum current. The current detected by the sensor will increase 1X with each wrap.



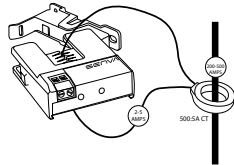
MISE EN GARDE

Ne dépassez pas le courant maximal du capteur. Le courant détecté par le capteur augmentera 1 fois à chaque tour.

To monitor loads greater than the current sensor maximum rating

Use a properly rated 5A CT as shown below

Pour surveiller les charges supérieures à la valeur maximale du capteur de courant Utilisez un CT 5 A avec la tension nominale appropriée comme indiqué ci-dessous.



CAUTION

5A CTs can present hazardous voltages. Install CTs in accordance with manufacturers instructions. Terminate the CT secondary wiring before energizing primary conductor.



MISE EN GARDE

Les tensions des CT 5 A peuvent présenter des dangers. Installez les CT en suivant les instructions du fabricant. Terminez le câblage secondaire du CT avant d'alimenter le conducteur principal.

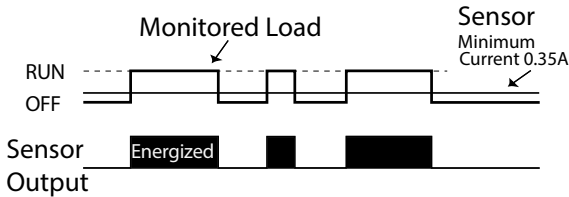
Table 1. Troubleshooting

Symptom	Causes	Remedy
Sensor output does not change state	Amperage is below sensor minimum threshold	Loop monitored conductor multiple turns through sensor. See Tech Tips
	Incorrect control wiring	Ensure control loop voltage is present
	Testing with ohm meter yields incorrect results	Solid state output may show approx. 1 ohm or less.
	Adjustable CT and AECM: Adjustment incorrect	See Adjustable Conventional Calibration or AECM setup procedure
	AVFD: Minimum frequency too low.	Drive must ramp to 40Hz min. for sensor to alarm.

RECYCLING

Product should not be thrown away in regular trash. Instead, it should be recycled according to local municipality.

CSP-NO-F / CS-NO-F OPERATION



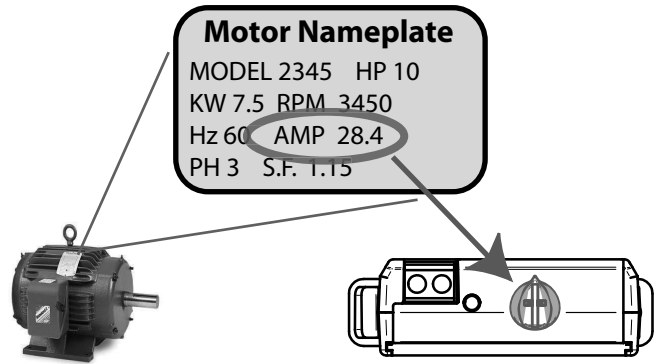
The CSP-NO-F-200A output changes state whenever current above 0.35A is present; THE CS-NO-F-50A output changes state above 0.25A. This provides "go/no" status on loads that are not subject to mechanical failures.

Typical on/off status applications include:

- Lighting circuits
- Heater elements
- Direct drive fans (e.g. exhaust fans)
- Process motors

CSP-NO-A / MCS-NO-A UNPOWERED CALIBRATION

Adjust knob on sensor to motor full load amperage (FLA) as indicated on motor nameplate or overload protection device.



The sensor scale is pre-calibrated for motors operating at a minimum of 75% FLA.

On startup, the sensor output will close when monitored current exceeds 70% FLA, and open if current is below 60% FLA to indicate load loss (broken belt, coupling shear, etc.)

For lightly loaded (oversized) motors operating below 75% FLA, the sensor should be set to actual FLA to ensure positive status detection and avoid nuisance alarms.

Smaller (less than 5HP) motors and/or lightly loaded motors may not have sufficient reduction in amperage (below 60% FLA) for the sensor to detect belt loss immediately. The sensor will detect the belt loss when the motor is restarted, as long as the unloaded motor current is below 70% FLA.

For improved performance on small and lightly loaded motors, consider the following options:

1. Use lower current models CSP-NO-A-100A or MCS-NO-A-50A for improved calibration resolution.
2. Perform conventional calibration.

CSP-NO-A / MCS-NO-A CONVENTIONAL CALIBRATION

Follow all safety precautions outlined in this manual.

Follow ALL requirements in NFPA 70E for safe work practices and for Personal Protective Equipment (USA) and other applicable local codes when installing this product.

Read all warnings carefully.

Respectez toutes les précautions de sécurité décrites dans ce manuel.

Respectez TOUTES les exigences de la norme NFPA 70E concernant les pratiques de travail sécuritaires et les équipements de protection individuelle (États-Unis), ainsi que les autres codes locaux applicables lors de l'installation de ce produit.

Lisez attentivement tous les avertissements.

1. Adjust knob on sensor to maximum FLA. (Fully clockwise)
2. With motor operating normally, adjust knob SLOWLY counter-clockwise until "Hi" LED is lit.

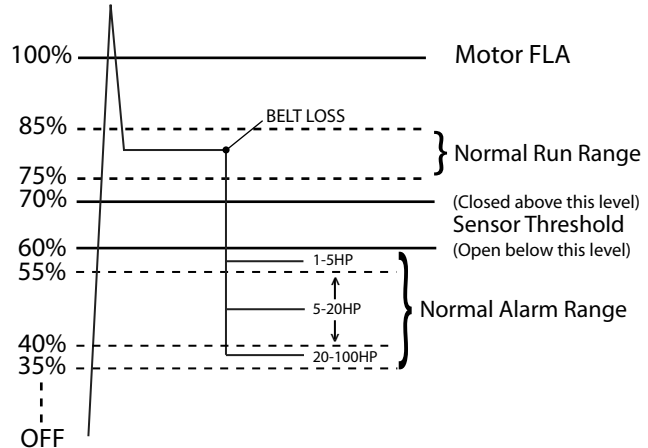


Fig. 1. Normal Operation

1. Set knob to motor FLA.

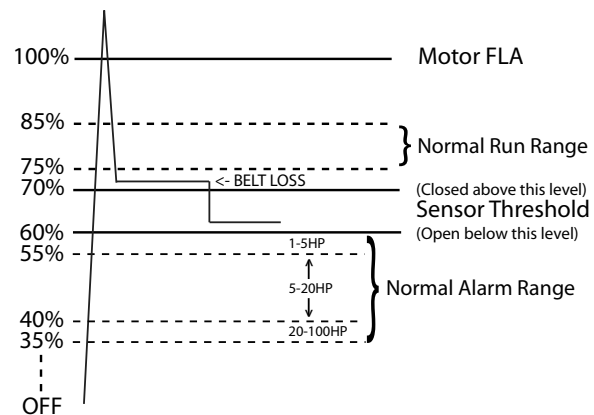


Fig. 2. Small / Lightly Loaded Motor Operation

1. Set knob proportionally below FLA.
2. Belt loss will be detected on restart.
3. Perform Conventional Calibration for best results.

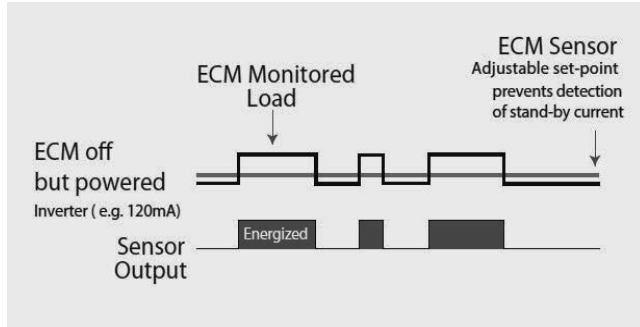
ECM MOTOR APPLICATIONS

ECM stands for Electrically Commutated Motor. These motors are gaining popularity due to their energy savings capability for applications that don't require the motor to always run at full speed by allowing the end-user to reduce the speed of the motor.

It is important to consider the quiescent or stand-by current draw of an ECM from the on-board electronics. This stand-by current draw typically ranges from 250mA to 500mA and varies by manufacturer.

This stand-by current can sometimes be enough to cause a sensitive current sensor to be in the ON state even when the motor is not actually running giving a false indication. In order to prevent this the current sensors turn-on current must be higher than the ECM stand-by current.

Honeywell's Adjustable Turn-On ECM Current Switch allows you to set/adjust your turn-on threshold appropriately for your application. Set the dial so that the turn-on amperage is slightly higher than your ECM stand-by current. This will typically be around 400mA.



On startup, the sensor output will close when monitored current exceeds dial setting, and open if monitored current is below the dial setting minus the fixed hysteresis value of the current switch.

CSP-NO-AECM SETUP (RECOMMENDED)

Follow all safety precautions outlined in this manual.

Follow all requirements in NFPA 70E for safe work practices and for Personal Protective Equipment (USA) and other applicable local codes when installing this product.

Read all warnings carefully.

Respectez toutes les précautions de sécurité décrites dans ce manuel.

Respectez toutes les exigences de la norme NFPA 70E concernant les pratiques de travail sécuritaires et les équipements de protection individuelle (États-Unis), ainsi que les autres codes locaux applicables lors de l'installation de ce produit.

Lisez attentivement tous les avertissements.

1. With ECM powered on but not running measure the ECM current draw with a meter capable of measuring current.
2. Turn power off to ECM and set dial on current sensor to a value slightly higher than what you measured in step 1. Example, measurement of 500mA from meter, set dial to about 600mA.
3. Power on ECM and verify OPEN LED is on.
4. Next, run ECM at minimum speed and verify CLOSED LED is on.
5. Stop ECM but leave powered on and verify OPEN LED is on.

6. Setup is now complete. You may need to repeat steps 1 through 5 above during initial setup to get correct setting. Once adjusted the Honeywell ECM current switch will provide a true status output as shown in the chart above.

CSP-NO-AECM SETUP (ALTERNATE)

Follow all safety precautions outlined in this manual.

Follow all requirements in NFPA 70E for safe work practices and for Personal Protective Equipment (USA) and other applicable local codes when installing this product.

Read all warnings carefully.

Respectez toutes les précautions de sécurité décrites dans ce manuel.

Respectez toutes les exigences de la norme NFPA 70E concernant les pratiques de travail sécuritaires et les équipements de protection individuelle (États-Unis), ainsi que les autres codes locaux applicables lors de l'installation de ce produit.

Lisez attentivement tous les avertissements.

1. Dial is set from the factory to a value of about 500mA.
2. Once installed on the ECM conductor with your motor STOPPED but powered on, verify the OPEN LED is on. If OPEN LED is off adjust dial clockwise until OPEN LED is on.
3. Turn dial counter clockwise until CLOSED LED is on. This is the turn-on amperage or approximate value of your ECM stand-by current.
4. Turn dial clockwise until CLOSED LED is off and continue clockwise slightly to give a margin of operation between the on and off states. Leave dial at this setting and you're done with the current sensor setup.

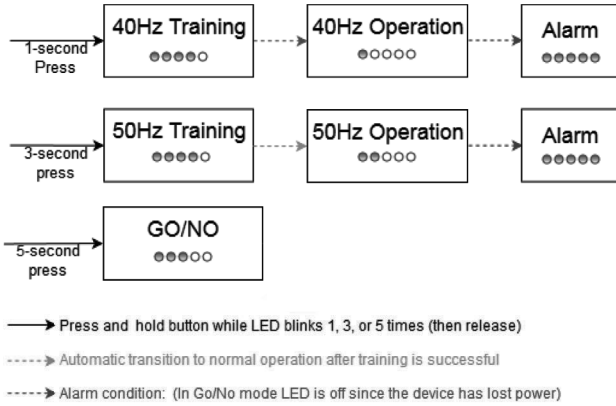
CSP-NO-AVFD CALIBRATION/TRAINING

No calibration is necessary.

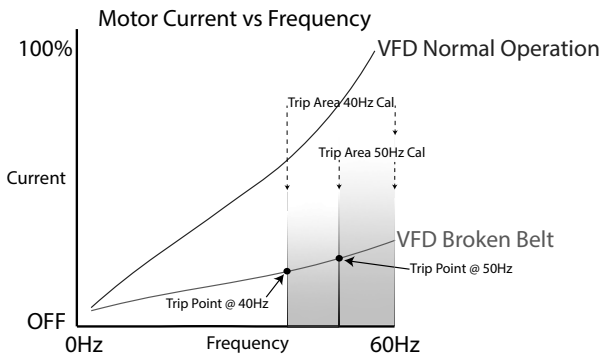
Sensor will automatically detect belt loss on motors operated by variable speed drive after 10 seconds of operation above 40Hz. This is because the device leaves the factory in the 40Hz training mode.

OPTIONAL MANUAL SETUP: To reset and restart calibration/training, press/hold button for 1 second (40Hz mode) or 3 seconds (50Hz mode). LED will make 4 blinks in 5 seconds which indicates the device is in "Training" mode. Operate motor above 40Hz for 10 seconds (40Hz mode) or 50Hz for 10 seconds (50Hz mode), recommend 45Hz and 55Hz respectively.

To activate go/no mode, press/hold button for 5 seconds. LED will make 3 fast blinks.



CSP-NO-AVFD OPERATION



The CSP-NO-AVFD-150A utilizes a proprietary sensing algorithm to detect belt loss on motors operated by variable frequency drives.

Reliable operation requires variable frequency drive to increase frequency to a minimum of 40Hz when load is lost.

Typical load status applications include:

- Proof of flow
- Belt-loss detection
- Coupling shear

Table 2. Specification by Product

Product Number	Trip Point	Core Type	Max Current
CS-NO-F-50A	Fixed, 0.25A	SOLID	50A
CSP-NO-F-200A	Fixed, 0.35A	SPLIT	200A
MCS-NO-A-50A	Adjustable, 0.75-50FLA	SOLID	50A
CS-NO-A-50A	Adjustable, 0.75-50FLA	SOLID	50A
CSP-NO-A-100A	Adjustable, 0.50-100FLA	SPLIT	100A
CSP-NO-A-50A	Adjustable, 0.45-50FLA	SPLIT	50A
CSP-NO-A-150A	Adjustable, 0.50-150FLA	SPLIT	150A
CSP-NO-AECM-200A	Adjustable, 0.25-3A Trip	SPLIT	200A
CSP-NO-AVFD-150A	Automatically detected above 40 Hz	SPLIT	150A



SPECIFICATION

Maximum surrounding air ambient, 60 ° C. For use in Pollution Degree 2 Environment.

FIXED CURRENT SWITCHES

Output Type

NO, solid-state FET

Output Rating

1.0A@30VAC/DC Max.

Temperature Rating

-15~60 ° C

Insulation Class

600V RMS. For use on insulated conductors only!
Use minimum 75 ° C insulated conductor

Sensor Power

Induced

Frequency Range

50/60Hz

Dimensions (LxWxH)

CSP-NO-F-200A: 2.94" x 2.23" x 0.82"

CSP-NO-F-200A: 1.4" H with optional relay module

CS-NO-F-50A: 2.27" x 1.60" x 1.04"

Sensor Aperture

CSP-NO-F-200A: 0.75"

CS-NO-F-50A: 0.52"

ADJUSTABLE CURRENT SWITCHES

Turn-on Amperage CSP-NO-AVFD-150A

1A(30Hz min), 1.5A(20Hz min), 2.5A(10Hz min)

Output Type

NO, solid-state FET

Temperature Rating

-15~60 ° C

Insulation Class

600V RMS. For use on insulated conductors only!
Use minimum 75 ° C insulated conductor

Sensor Power

Induced

Frequency Range

50/60Hz

CSP-NO-AVFD-150A: 10 -120Hz; proof of flow loss alarm
at 40Hz+

Dimensions (LxWxH)

MCS-NO-A-50A: 1.78" x 1.32" x 0.66"

CS-NO-A-50A: 2.27" x 1.61" x 0.69"

*CSP-NO-A-xxxA / *CSP-NO-AECM-200A:
2.94" x 2.23" x 0.82"

*CSP-NO-AVFD-150A: 2.51" x 2.23" x 0.82"

*1.4" H with optional relay module

Sensor Aperture

MCS-NO-A-50A: 0.3"

CS-NO-A-50A: 0.5"

CSP-NO-A-xxxA / CSP-NO-AECM-200A / CSP-NO-AVFD-
150A: 0.75"

* Amperage minimum is frequency dependent, see Turn-On Amperage

Honeywell Building Technologies

In the U.S.:

Honeywell

715 Peachtree Street NE

Atlanta, GA 30308

customer.honeywell.com

® U.S. Registered Trademark
©2020 Honeywell International Inc.
31-00432M-01 M.S. 10-20
Printed in United States

Honeywell