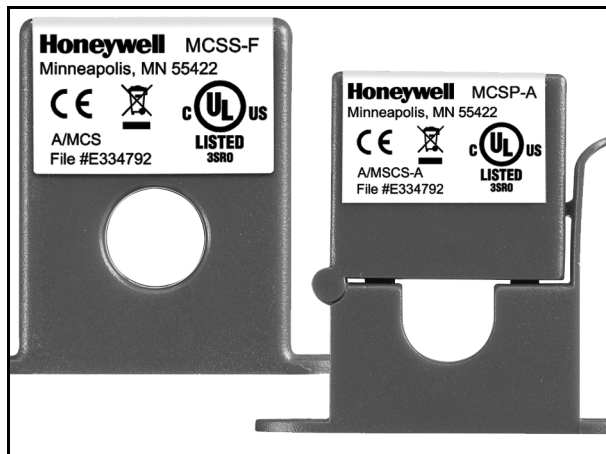


MCSS/MCSP Current Switches

SPECIFICATION DATA



APPLICATION

The Honeywell MCSS and MCSP series current switches are miniature "Go/No Go" current status switches designed to provide status information on AC current supplied equipment. The output of these switches uses a N/O solid-state switch (more reliable than a relay) and is non-polarity sensitive.

The MCSS series is an excellent option for new installations where the conductors can be run through the solid-core housing before connecting the wires. The MCSP series are ideal for retrofit applications, since their split-core design allows them to be opened and clamped around the existing wires without disconnecting the current being monitored. Both of these units do not need power supplied to them as they induce the current from the conductors being monitored.

The MCSS series has a fixed trip point of below 0.20 A while the MCSP series has a fixed trip point of below 0.55 A. When the current in the conductor exceeds this threshold, the sensor will be "Closed." The sensor will indicate "Open" when the current is interrupted or falls to 0 A.

The adjustable switches, MCSS-A and MCSP-A, include two Status LED indicators that will indicate three states: tripped on, current present but below trip point, and current off or below the low end of the adjustable trip point range. Also these adjustable current switches can be used to monitor any change in AC current. A change in current may indicate motor failure, belt loss/slippage, or mechanical failure. Any time one of these events occurs, the current can significantly decrease, thus tripping the current switch and immediately notifying the Building Management System of the failure or problem.

The MCSS and MCSP Series are covered by a five (5) year limited warranty.

SPECIFICATIONS

Sensor Power: Induced from monitored conductor

Amperage Rating:

MCSS-F: 0.20 to 150 Amps

MCSP-F: 0.55 to 150 Amps

MCSS-A: 0.32 to 150 Amps continuous

MCSP-A: 0.70 to 150 Amps continuous

Max. Sensing Current Voltage: 600 VAC

Isolation Voltage: 2,200 VAC

Output Rating:

MCSS-F: 0.5 A Continuous, 36 VAC/VDC

MCSP-F: 0.5 A Continuous, 36 VAC/VDC

MCSS-A: 1.0 A Continuous, 36 VAC/VDC

MCSP-A: 1.0 A Continuous, 36 VAC/VDC

Status LED Indication (MCSS-A/MCSP-A models only):

Red LED: Above Trip Point

Blue LED: Under Trip Point

NOTE: Do **NOT** use the LEDs to indicate whether the sensors have power applied to them.

Operating Frequency: 50 Hz, 60 Hz

Isolation Voltage: 2,200 VAC

Aperture (Hole) Size:

MCSS: 0.55" dia., up to 1 AWG cables

MCSP: 0.53" dia., up to 1 AWG cables

Trip Point :

MCSS-F: Fixed @ below 0.20 A

MCSP-F: Fixed @ below 0.55 A

Dimensions (L x W x H):

MCSS: 2.50" x 1.96" x 0.95"

MCSP: 2.65" x 2.35" x 0.95"

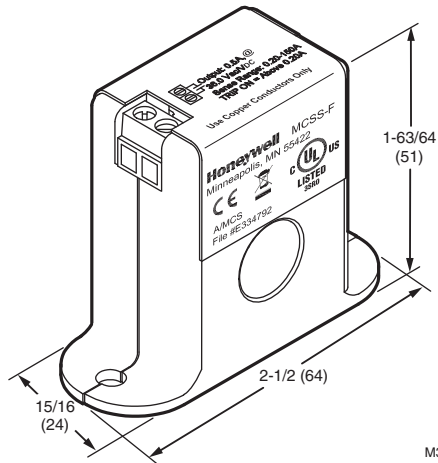
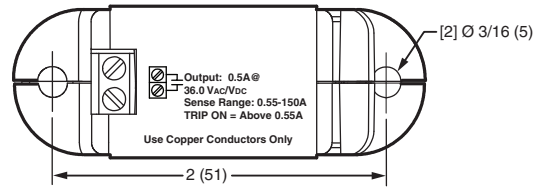
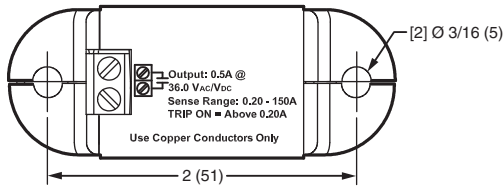
Operating Temperature Range: -30 to 60 °C (-22 to 140 °F)

Operating Humidity Range: 0 to 95% RH, non-condensing

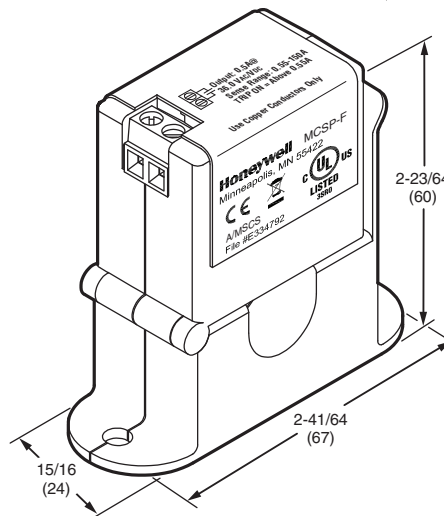


Table 1. Current switch operating specifications.

Model	Core Type	Switch Type	Trip Point	Output Switch Rating	Max. Sensing Current Voltage	Max. Continuous Current	Max. Current for 6 seconds	Max. Current for 1 second
MCSS-F	Solid	Fixed	< 0.20 Amps	0.50 Amp @ 36 VAC/VDC	600 VAC	158 Amps	240 Amps	600 Amps
MCSP-F	Split	Fixed	< 0.55 Amps					
MCSS-A	Solid	Adjustable	0.32 - 150 Amps	1.00 Amp @ 36 VAC/VDC				
MCSP-A	Split	Adjustable	0.70 - 150 Amps					



M33393



M33394

Fig. 1. Dimensions in inches (mm) of the solid core models MCSS-F and MCSS-A.

Fig. 2. Dimensions in inches (mm) of the split core models MCSP-F and MCSP-A.

By using this Honeywell literature, you agree that Honeywell will have no liability for any damages arising out of your use or modification to, the literature. You will defend and indemnify Honeywell, its affiliates and subsidiaries, from and against any liability, cost, or damages, including attorneys' fees, arising out of, or resulting from, any modification to the literature by you.

Automation and Control Solutions

Honeywell International Inc.
 1985 Douglas Drive North
 Golden Valley, MN 55422
 customer.honeywell.com

© U.S. Registered Trademark
 © 2012 Honeywell International Inc.
 63-2720—02 M.S. 07-12
 Printed in United States

