

## MP918B UL Listed Damper Actuator

### INSTALLATION INSTRUCTIONS

#### BEFORE INSTALLATION

The MP918B UL Listed Pneumatic Damper Actuator is used for control of Leakage Rated (Smoke) Dampers, classified under Underwriters Laboratories (UL) Standard 555S, for use in smoke control systems. The MP918 is a piston-type, rolling-diaphragm operated actuator and can be mounted in any position and installed either externally or internally.

The UL listing of the actuator and the damper classification apply only when Listed Honeywell Actuators are installed on Honeywell D640SD, D641SD, D644SD, or D645SD Series Dampers as specified in the installation instructions shipped with the devices.

All installations must also comply with the requirements of NFPA 90A, National Fire Protection Standard for the Installation of Air Conditioning Systems.

Table 1 lists the only MP918 Actuators approved for use with UL Classified Leakage Rated (Smoke) Dampers.

**Table 1. Damper Actuators for Leakage Rated Dampers.**

Actuator Model	Spring Range psi (kPa)	Mounting	Bracket
MP918B1105	8-13 (55-90)	Internal/ Normally Open	Trunnion
MP918B1097	8-13 (55-90)	Internal/ Normally Closed	Trunnion
MP918B1089	8-13 (55-90)	External	Trunnion

Mainline pressure limits:

- 20 psi minimum
- 25 psi maximum

Tools needed:

1. 7/16-inch box end wrench
2. 1/8-inch Allen wrench
3. Squeeze bulb

#### INSTALLATION

##### External Mounting

- ❶ For external mounting dimensions, see Figure 1.
- ❷ Check faceplate position (Fig. 2). Adjust faceplate position if necessary.
- ❸ Determine the damper drive axle direction of rotation to the normal position (position with 0 psi applied to actuator).
- ❹ Rotate damper drive axle to normal position.
- ❺ Locate proper shaft hole (Fig. 3) over damper axle.
- ❻ Position mounting bracket. Arrow on bracket surrounding hole should match rotation determined in Step ❸.
- ❼ Secure mounting bracket. Use four of the holes available in bracket and drill screws provided.
- ❽ To provide close-off force, use a squeeze bulb and stroke the actuator:
  - a. For normally open dampers, fully extend actuator shaft then retract 1/8-inch (3 mm).
  - b. For normally closed dampers, extend actuator shaft 1/8-inch (3 mm).



#### CAUTION

See Figure 4 for proper tightening of crankarm bolts.

- ❾ Secure crankarm to damper drive axle.
- ❿ Go to PIPING section.

##### Internal Mounting

###### Normally Closed

- ❶ For normally closed internal mounting dimensions, see Figure 5.
- ❷ Check faceplate position (Fig. 6). Adjust faceplate position if necessary.
- ❸ Use a 1/8-inch Allen wrench to loosen mounting set screws on damper mounting clamp (Fig. 6) one turn. Remove and discard shipping stop.



- 4 loosen face plate nut between mounting bracket and truss link. Remove clevis pin from damper end of actuator pushrod.
- 5 Locate factory installed drive ear on damper (mounted per Damper Ordering Instructions). Actuator(s) must be mounted only in this (these) position(s).
- 6 Set actuator in place by hooking actuator mounting clamp over bottom edge of damper.
- 7 Set damper to the normal (closed) position.
- 8 Insert clevis pin in drive ear and actuator pushrod.
- 9 Connect truss link to damper with mounting screw and tighten faceplate nuts.
- 10 Tighten mounting screws on damper mounting clamp.
- 11 Go to PIPING section.

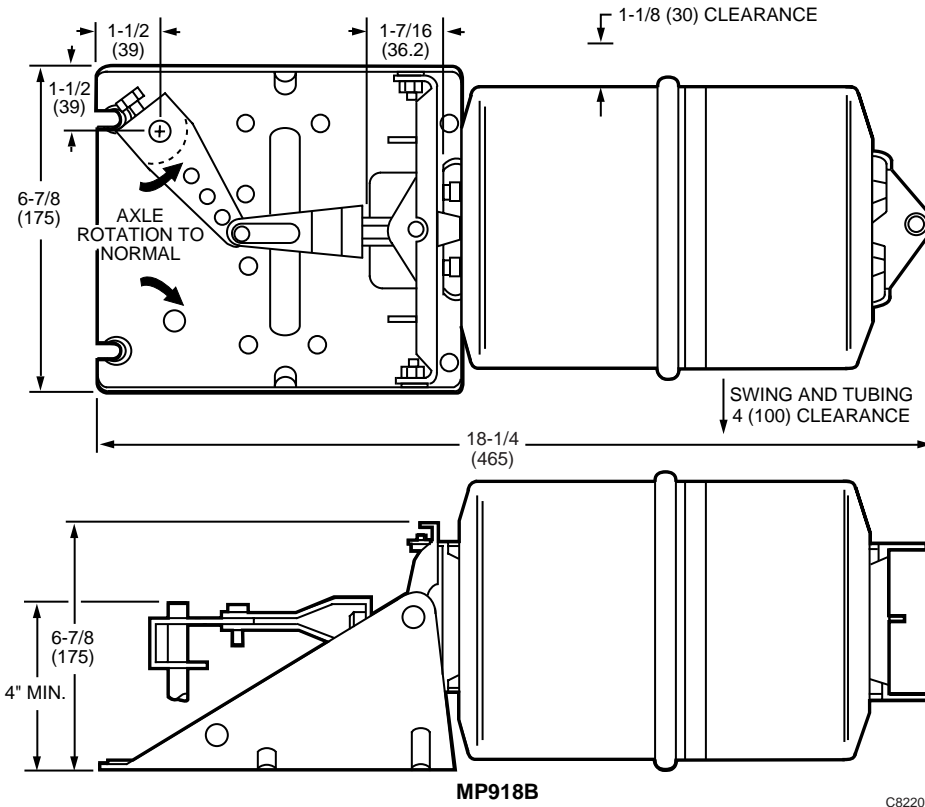


Fig 1. External Mounting Dimensions in Inches (Millimeters).

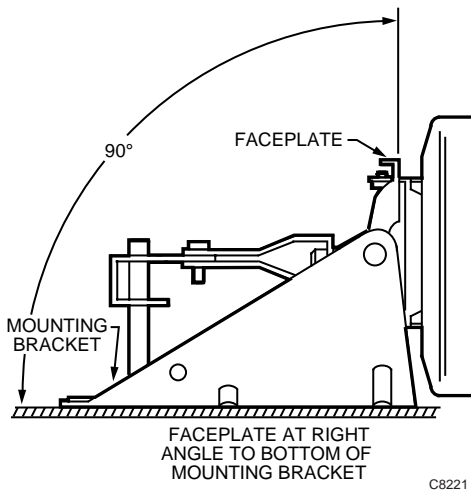


Fig. 2. External Mounting Faceplate Positioning.

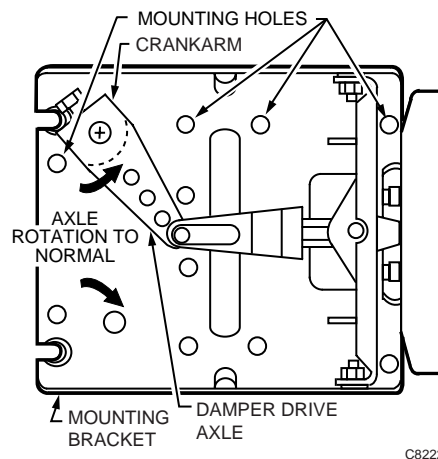
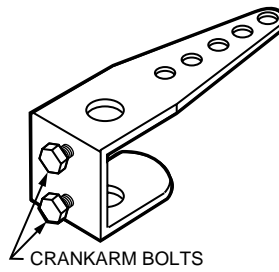


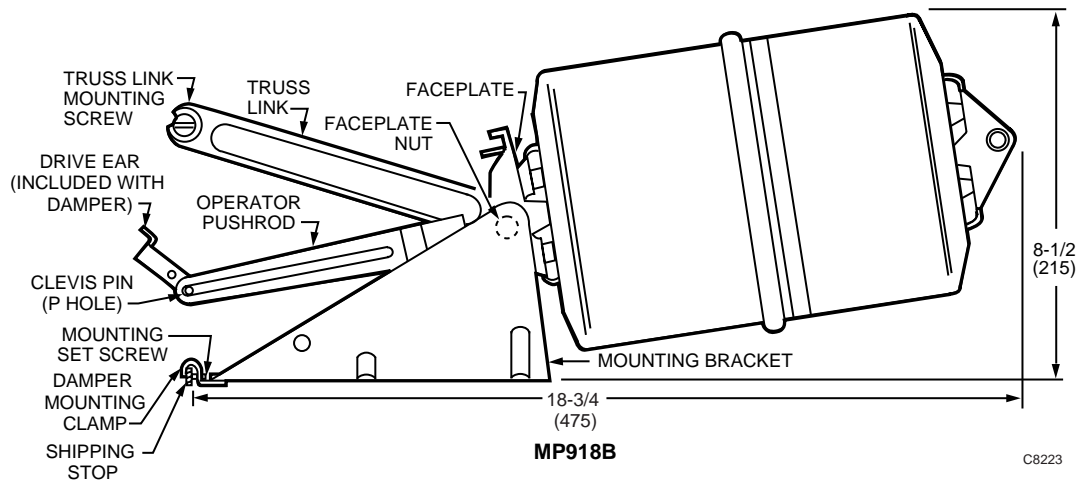
Fig. 3. External Installation.



1. BOLTS ARE TIGHTENED TO MORE THAN 90 LB-IN BUT LESS THAN 200 LB-IN.
2. TIGHTEN BOTH BOLTS (WITH 7/16 BOX END WRENCH IF AVAILABLE).
3. TIGHTEN EACH BOLT AGAIN TO THE REQUIRED TORQUE.

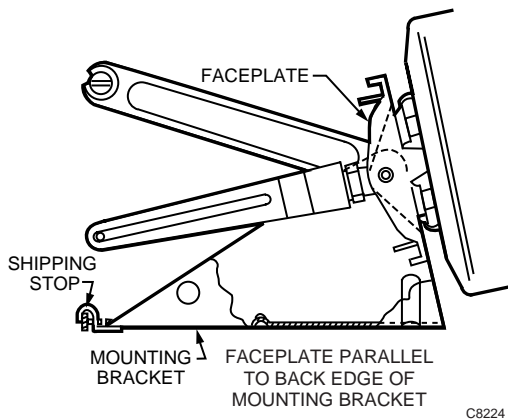
C8211

**Fig. 4. Crankarm Bolt Tightening.**



C8223

**Fig. 5. Internally Mounted Normally Closed Mounting Dimensions in Inches (Millimeters).**



C8224

**Fig. 6. Internal Mounting Normally Closed Faceplate Positioning.**

### Normally Open

- 1 For internal mounting dimensions, see Figure 7.
- 2 Check faceplate position (Fig. 6). Adjust faceplate position if necessary.
- 3 Use 1/8-inch Allen wrench to loosen mounting set-screws on mounting clamp (Fig. 6) one turn. Remove and discard shipping stop.
- 4 Determine height of damper drive blade. Dampers with 10, 12, 18, 26, 34, and 42-inch B dimensions have 8-inch drive blades. All others have 6-inch drive blades.
- 5 For installation with 6-inch drive blades, go to Step 6. For installation with 8-inch drive blades (Fig. 8), remove clevis pin from damper pushrod clevis pin hole marked 6 and reinstall in clevis pin hole marked 8. (Mate with crankarm hole marked 90).
- 6 Loosen faceplate nut between mounting bracket and truss link (Fig. 8.). Remove clevis pin from damper pushrod.

- 7 Locate factory installed drive ear on damper blade. (Mounted per Damper Ordering Instructions.) Actuators must be mounted only in this (these) position(s).
- 8 Set actuator in place by hooking mounting clamp over bottom edge of damper.
- 9 Set damper to its normal (open) position.
- 10 Connect damper pushrod to damper drive ear with clevis pin.
- 11 Connect truss link to damper with mounting screw and tighten faceplate nuts.
- 11 Tighten faceplate nut between mounting bracket and truss link.
- 12 Tighten damper mounting set screws.

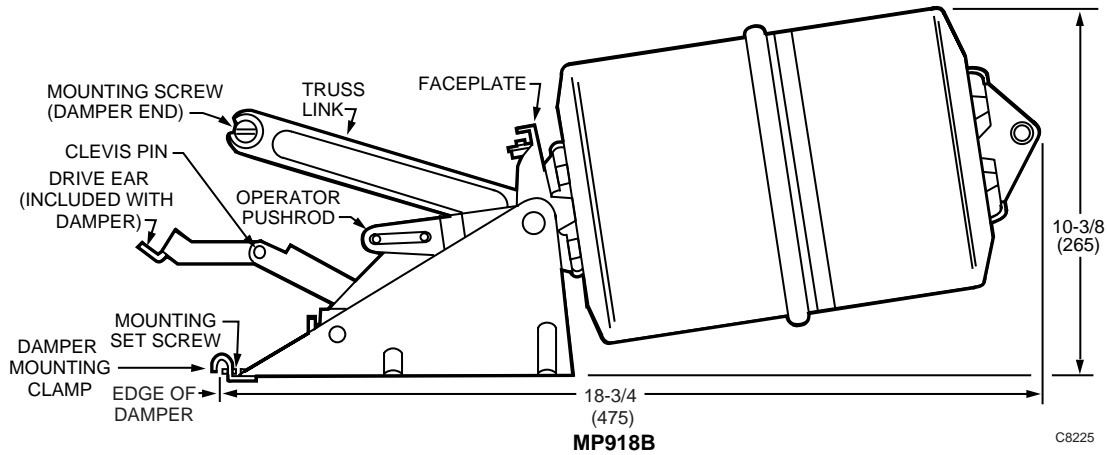


Fig. 7. Internal Mounting Normally Open Dimensions in Inches (Millimeters).

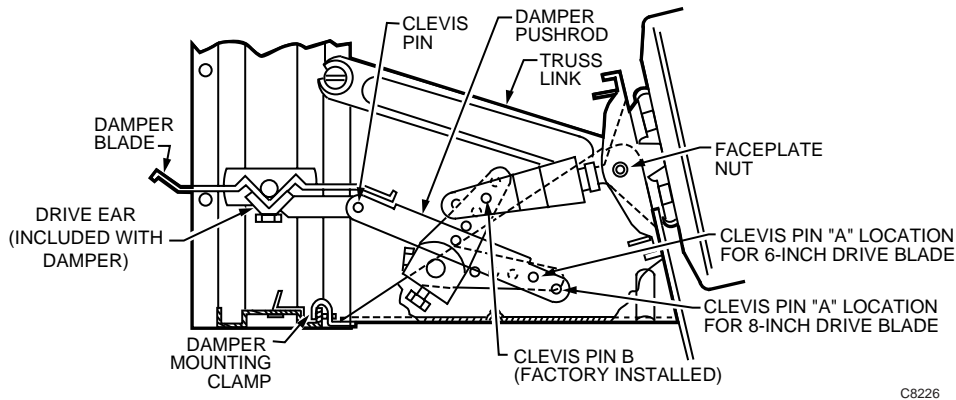


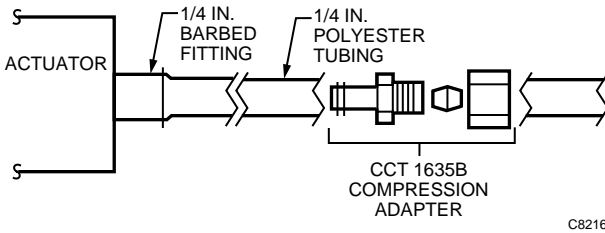
Fig. 8. Internal Mounting Normally Open Installation.

## Piping

Special piping is required for Leakage Rated (Smoke) Damper actuators. The piping from the actuator to the device which interfaces to the smoke control system must be 1/4-inch copper tubing or as required by local code. 1/4-inch polyester tubing pigtailed are provided with the actuator to interface with the copper tubing.

Figure 9 shows how to adapt 1/4-inch copper tubing to polyester tubing. These adapters must be ordered separately. The barbed coupling is furnished with the 5/32-inch to 1/4-inch pigtail.

Copper tubing can be connected directly to the actuator as shown in Figures 10 and 11.



NOTE: For actuators using the trunnion mounting bracket, leave enough tubing free of rigid supports to allow the actuator to swivel on the trunnion bracket without flexing the copper tubing (Fig. 11).

Fig. 9. Transition Piping for 1/4-Inch Polyester Tubing to 1/4-Inch Copper Tubing.

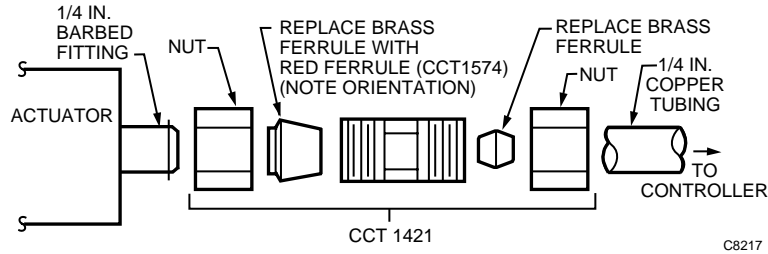


Fig. 10. Transition Piping for 1/4-Inch Barbed Fitting to 1/4-Inch Copper Tubing.

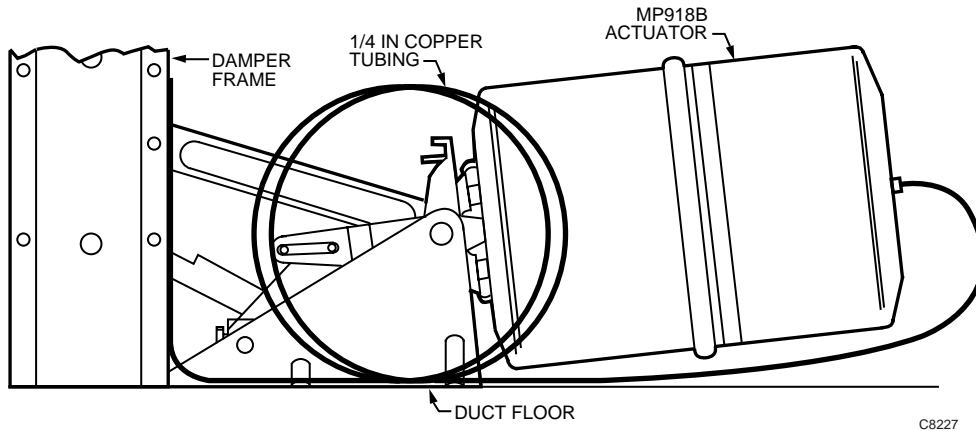


Fig. 11. Routing Copper Tubing Near Trunnion Pivot.

**Multiple Actuators**

Multiple actuators must be piped so the Smoke Control System operates all sections of multisection dampers simultaneously.

Pipe multiple MP918B actuators in parallel (Fig. 12).

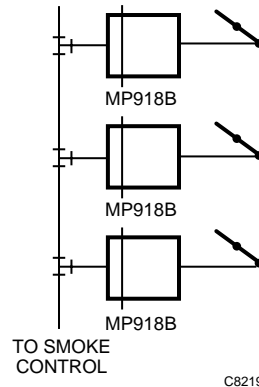


Fig. 12. MP918B Parallel Installation.

**Honeywell**

---

**Home and Building Control**

Honeywell Inc.  
1985 Douglas Drive North  
Golden Valley, MN 55422

**Home and Building Control**

Honeywell Limited-Honeywell Limitée  
155 Gordon Baker Road  
North York, Ontario  
M2H 2C9

*Helping You Control Your World*