

P658A, B, C, D, E, and F Pneumatic/Electric Switches

SPECIFICATION DATA



FEATURES

- Models available for surface or panel mounting
- Barb protected by open cage
- All ferrous parts plated to prevent corrosion
- Factory calibrated setpoint field adjustable to meet job requirements
- Neoprene diaphragm element

GENERAL

The P658A, B, C, E, and F Pneumatic/Electric Switches convert a pneumatic signal from a controller or other pneumatic device to a spdt electric switch action. The P658A, B, E, and F are used for on/off control of fans and pumps, energizing electric heaters, day-night control of unitary equipment, interlock functions, and control of other electrical equipment commonly found in mechanical systems. The P658C is intended for use with DeltaNet Systems or any system requiring low-impedance switching for monitoring status.



SPECIFICATIONS

Models:

Model	Case	Mounting	Switch Action	Setpoint		Differential (Fixed)
				Factory Set	Field Adjustable	
<input type="checkbox"/> P658A	Yes	Surface	³	2, 4, 10, or 14 psi (14, 28, 69, or 97 kPa)	2 to 24 psi (14 to 165 kPa)	2 psi (14 kPa)
<input type="checkbox"/> P658B	No	Panel ¹	³	4, 7, 10, or 14 psi (28, 48, 69, or 97 kPa)		1.5 psi (10 kPa)
<input type="checkbox"/> P658C	No	Panel ¹	³	10 psi (69 kPa)		
<input type="checkbox"/> P658E	No	Panel ¹	^d	7, 8, 10 or 12 psi (48, 55, 69, or 83 kPa)	2 to 17 psi (14 to 117 kPa)	1 psi (7 kPa)
				No	2 to 17 psi (14 to 117 kPa)	
				No	12 to 25 psi (83 to 172 kPa)	
				No	2 to 25 psi (14 to 172 kPa)	
				10 psi (69 kPa)	2 to 17 psi (14 to 172 kPa)	
<input type="checkbox"/> P658F	No	Panel ²	^d	No	2 to 17 psi (14 to 117 kPa)	
				No	2 to 25 psi (14 to 172 kPa)	

¹ Internal panel mounted using mounting screws and bracket.

² Internal panel mounted. Secured through double-D hole in panel or electrical case using hex nut.

³ Makes R to B and breaks R to W on a pressure fall to the setpoint; makes R to W and breaks R to B on a pressure rise to the setpoint plus the differential.

^d Makes COM to NC and breaks COM to NO on a pressure fall to the setpoint; makes COM to NO and breaks COM to NC on a pressure rise to the setpoint plus the differential.

Electrical Rating:

Model	Motor Load	Resistive Load	Pilot Duty
P658A, B	1 hp at 125 Vac 2 hp at 250 or 277 Vac	25A at 125, 250, or 480 Vac	750 VA at 125, 250, or 277 Vac
P658E, F	3/4-hp at 125, 250, or 277 Vac	25A at 125, 250, or 277 Vac; 10A at 480V ac	720 VA at 125, 250, or 277 Vac

P658C: 5 mA at 5V dc

Electrical Connections:

P658A, B, C: Screw terminals

P658E, F: 1/4-in. quick-connect male tab terminals

Terminal Designations:

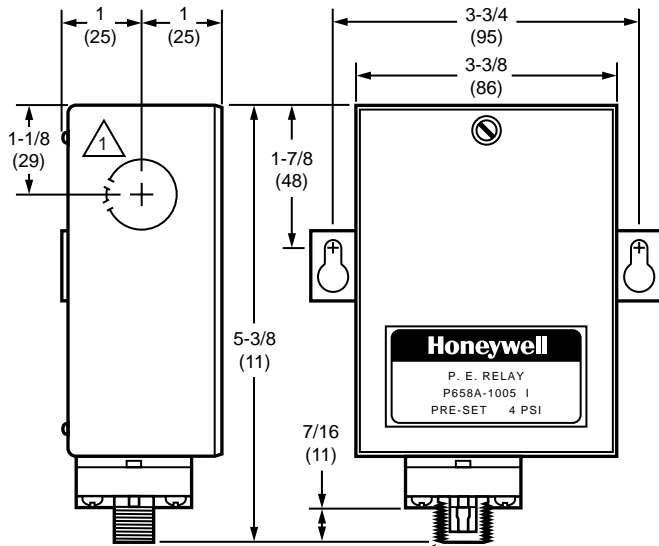
P658A, B, C: R (C), W (N.O.), B (N.C.)

P658E, F: COM, NO, NC

Maximum Safe Air Pressure:
30 psi (207 kPa)

Air Connection:
Push-on, sharp-barb fitting for 1/4-in. (6-mm) O.D. plastic tubing

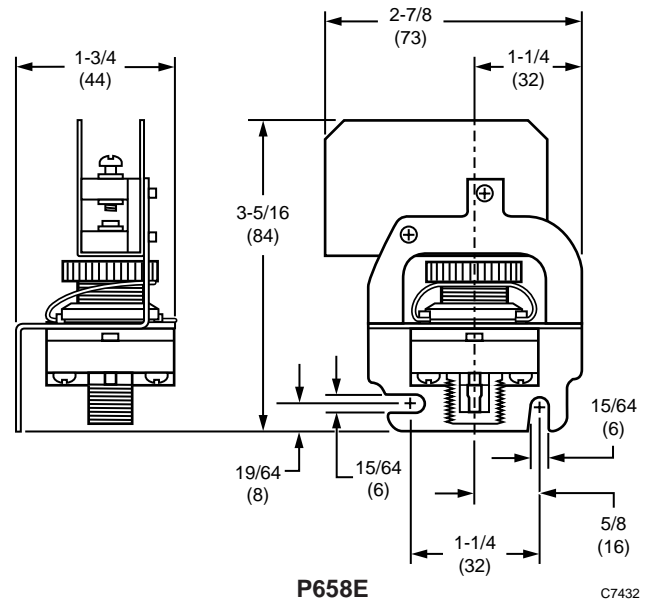
Dimensions in Inches (Millimeters):



THREADED BARB PROTECTOR
(5/8-18 UNF-2A MALE THREAD)

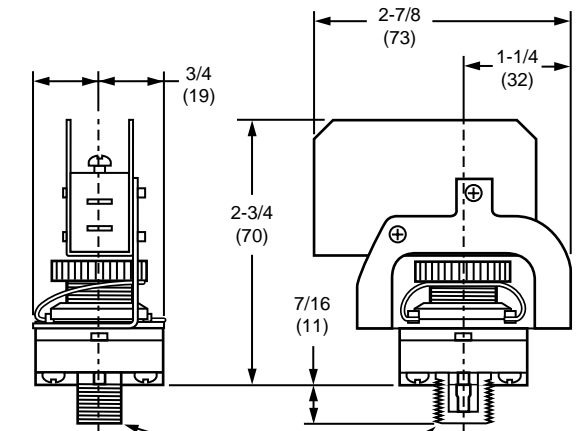
1 KNOCKOUT ON ONE SIDE FOR 3/4 INCH CONDUIT. KNOCKOUTS ON OPPOSITE SIDE, TOP, AND BACK FOR 1/2 INCH CONDUIT. C7435

P658A



P658E

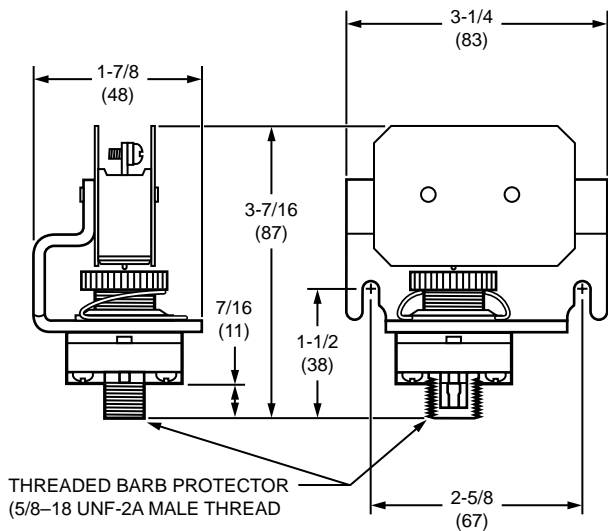
C7432



THREADED BARB PROTECTOR
(5/8-18 UNF-2A MALE THREAD)

P658F

C7434



THREADED BARB PROTECTOR
(5/8-18 UNF-2A MALE THREAD)

P658B, C

C7431

Environmental Limits:

Operating Temperature Range:

P658A, C: -20 to 140F (-4 to 60C)

P658B: -20 to 160F (-4 to 71C)

P658E, F: 40 to 140F (4 to 60C)

Operating Humidity Range: 5 to 95% rh; 80F (27C) maximum wet-bulb temperature

Finish:

P658A: Gray-beige cover

P658B, C, E, and F: Gray; plated ferrous parts

Optional Accessory:

CCT2363 5/8–18 Hex Nut (for internal-enclosure mounting that extends barb outside of enclosure)

Agency Listings:

P658A:

UL Listing, Category SDYF; intended for direct separate installation in the field

CSA Listing, Volume II.

P658B:

UL File No. E49725, Category SDFY2, Component Listing

P658E, F:

UL File No. E49725, Category SDFY2, Component Listing

CSA Listing, Volume I

P658C: UL Listing not applicable (low-voltage application)

By using this Honeywell literature, you agree that Honeywell will have no liability for any damages arising out of your use or modification to, the literature. You will defend and indemnify Honeywell, its affiliates and subsidiaries, from and against any liability, cost, or damages, including attorneys' fees, arising out of, or resulting from, any modification to the literature by you.

Home and Building Control

Honeywell Inc.

Honeywell Plaza

P.O. Box 524

Minneapolis MN 55408-0524

Home and Building Control

Honeywell Limited-Honeywell Limitée

740 Ellesmere Road

Scarborough Ontario

M1P 2V9

Honeywell Asia Pacific Inc.

Room 3213-3225

Sun Hung kai Centre

No. 30 Harbour Road

Wanchai

Hong Kong

Honeywell Latin American Division

Miami Lakes Headquarters

14505 Commerce Way Suite 500

Miami Lakes FL 33016

Honeywell Europe S.A.

3 Avenue du Bourget

B-1140 Brussels Belgium

Honeywell

Helping You Control Your World

