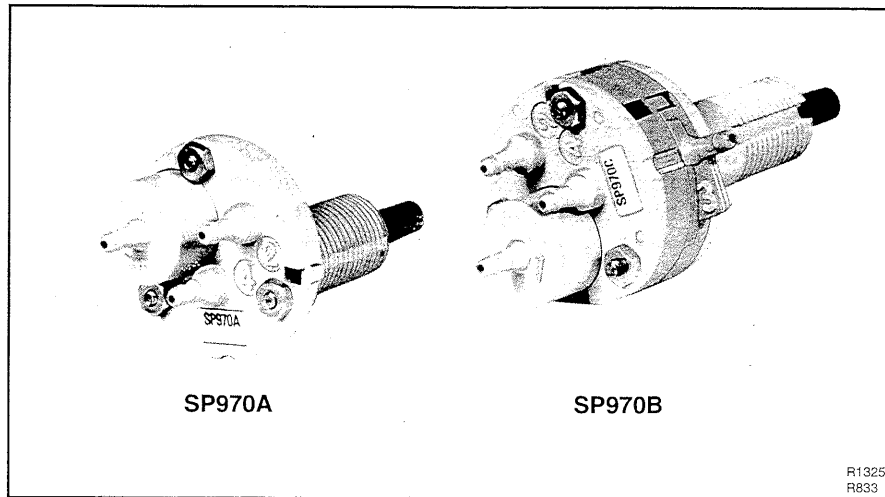


## SP970A-D Manual & Minimum Position Pressure Regulator

### SPECIFICATION DATA



### FEATURES

- Two spans available (six with breakaways)
- Pilot bleed and isolated pilot models available
- Wall or panel mounting

### GENERAL

The SP970 Manual and Minimum Position Pressure Regulator provides regulated pressure to a controlled device such as a pneumatic damper operator. The SP970 provides either manually set pressure or manually set minimum pressure with variable maximum pressure.

## DESCRIPTION

SP970s provide regulated pressure to controlled devices such as pneumatic damper operators.

## SPECIFICATIONS

### Models:

- SP970A: Three-port pneumatic manual or minimum position switch with pilot bleed
- SP970B: Three-port pneumatic manual or minimum position switch with pilot bleed and wall mounting bracket
- SP970C: Four-port pneumatic switch with isolated pilot chamber
- SP970D: Four-port pneumatic switch with isolated pilot chamber and wall mounting bracket

### Selectable Spans for psi (kPa):

Model	Knob Rotation*		
	188	244	300
Small Span	5 (34)	6.5 (45)	8 (55)
Large Span	10 (69)	13 (90)	16 (110)

\* The setpoint knob normally rotates 188 degrees. Two breakaway stops on the knob allow 244 and 300 degrees of rotation.

### Scaleplate:

All models shipped with 0 to 100 scaleplate (including knob and locknuts). See Accessories for other available scaleplates.

### Accessories:

- 315677A Bag Assembly, used for panel mounting where panel is 5/16 to 1 in. (8 to 25 mm) thick
- Available Scaleplates:
  - 315326 (-20 to +20F)
  - 315554 (-12 to +12C)
  - 315787 (Cooler-Warmer)
- 14003030-001 Spring Clip
- 801629S Cable Clamp
- 14004396 Wall Mounting Bracket

### Operating Pressures:

Main (Port 1): 18 psi (125 kPa)  
 Branch (Port 2): 3 to 15 psi (21 to 103 kPa)  
 Pilot (Port 3 on SP970C and D, Port 4 on SP970A and B): 3 to 15 psi (21 to 103 kPa)

### Maximum Safe Air Pressure:

30 psi (207 kPa)

### Air Capacity:

SP970A and B: Above minimum position, device feeding pilot determines capacity. Below minimum position, air capacity is 0.022 scfm (10 ml/s)  
 SP970C and D: 0.022 scfm (10 ml/s)

### Air Consumption:

0.022 scfm (10 ml/s)

### Air Connections:

Push-on barbs for 5/32-in. (4-mm) O.D. plastic tubing

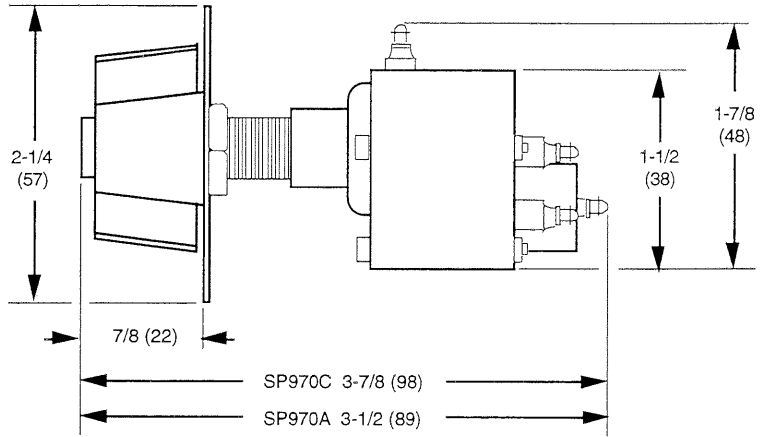
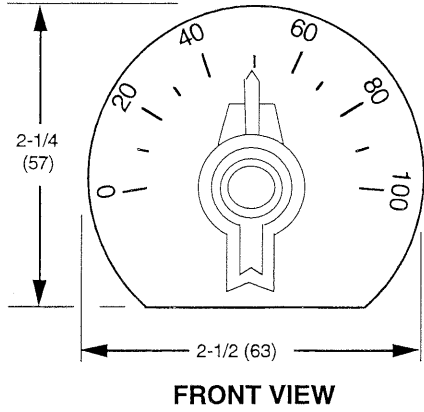
### Construction:

Molded plastic with neoprene diaphragm

### Mounting:

SP970A and C: Normally panel mounted. See Accessories for spring clip or cable clamp required for wall mounting without scaleplate.  
 SP970B and D: Wall mounted. Bracket has two 1/4-in. (6 mm) slots for mounting.

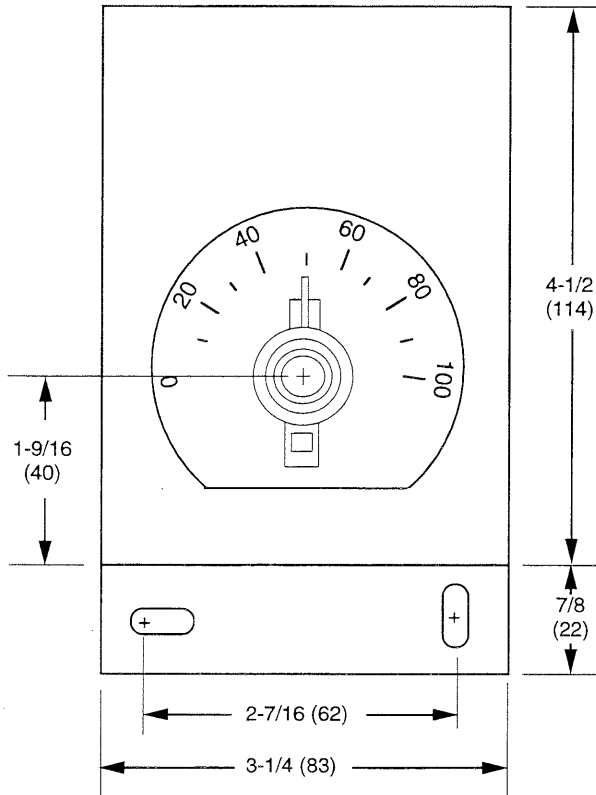
Dimensions In Inches (Millimeters):



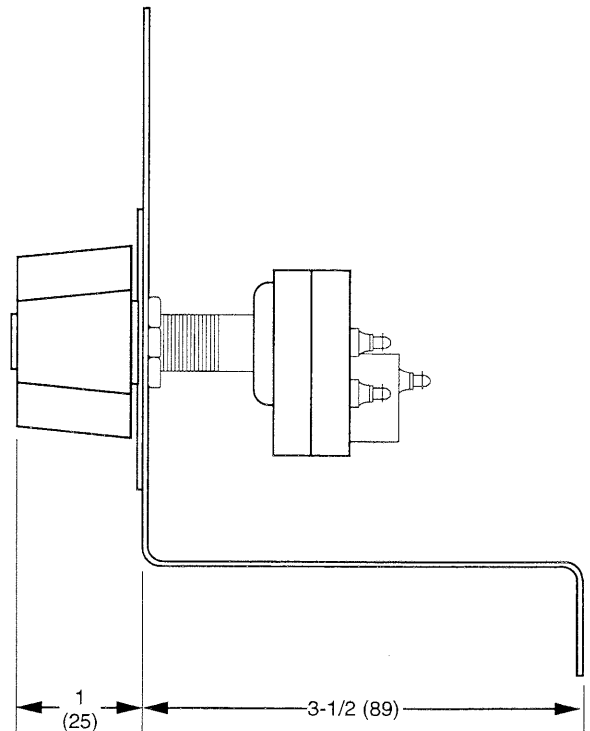
SIDE VIEW

C4857

SP970A and C with Scaleplate and Knob Attached.



FRONT VIEW



SIDE VIEW

C4858-1

By using this Honeywell literature, you agree that Honeywell will have no liability for any damages arising out of your use or modification to, the literature. You will defend and indemnify Honeywell, its affiliates and subsidiaries, from and against any liability, cost, or damages, including attorneys' fees, arising out of, or resulting from, any modification to the literature by you.