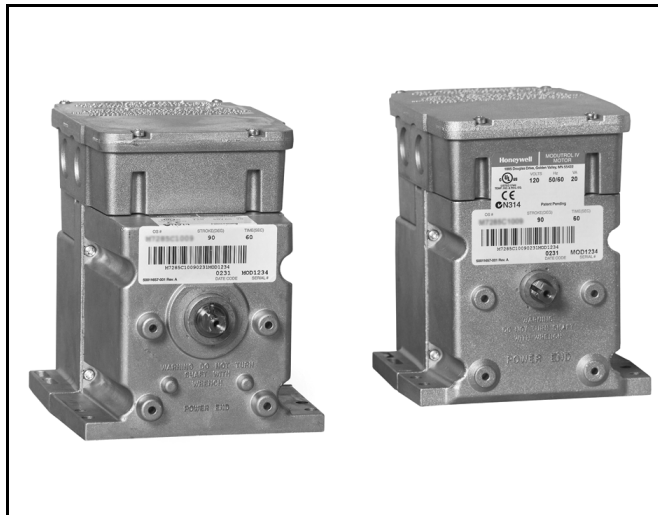


# Series 61 and Series 62 Modutrol IV™ Motors

PRODUCT DATA



## APPLICATION

The Series 61 and Series 62 Modutrol IV™ Motors are three-wire spring return and non-spring return floating control motors. Use these motors with controllers that provide a switched spdt or floating output to operate dampers or valves. The Series 62 motors have an internal electrically isolated feedback potentiometer that provides indication of the motor shaft position and can be used for slaving Series 90 Motors or rebalancing an external control circuit.

## FEATURES

- Replaces M644, M944B,E,G,H,J,K,R,S and M945B,C,G,K,L,AD Motors.
- Integral junction box provides NEMA 3 weather protection.
- Integral spring return returns motor to normal position upon power failure.
- Motor and circuitry operate from 24 Vac. Models available with factory installed transformer, or a field added internal transformer.
- Quick-connect terminals are standard—screw terminal adapter is available.
- Adapter bracket for matching shaft height of older motors is available.
- Motors have field adjustable stroke (90° to 160°).
- Die-cast aluminum housing.
- Integral auxiliary switches are available factory mounted, or can be field added.
- Nominal timing standard of 30 seconds (90° stroke), and 60 seconds (160° stroke). Other timings available.
- Spring return motors can operate valve linkages from power end or auxiliary end shafts for normally closed or normally open valve applications.
- All models have dual shafts (slotted and tapped on both ends).
- All models have auxiliary switch cams.
- Fixed torque throughout the entire voltage range.
- Motors are designed for either normally open or normally closed valves and dampers.
- Series 62 models include electrically isolated potentiometer that provides shaft position indication.
- Series 62 TRADELINE models have linear feedback, configurable for slaving Series 90 Motors.

## SPECIFICATIONS

**Models:** TRADELINE models are selected and packaged to provide ease of stocking, ease of handling and maximum replacement value. TRADELINE model specifications are the same as those of standard models unless specified otherwise.



**Modutrol IV Order Number Guide:** See Table 1.

**Feedback** See Table 2.

**Dimensions:** See Fig. 2.

**Electrical Ratings:** See Table 4.

**Table 1. Modutrol IV Series 2 Version Order Number Guide.**

M	Motor			
	61	Floating Control		
	62	Floating Control with feedback		
	8	60 lb-in. Spring Return	150 lb-in. Non-Spring Return	
	9	—	300 lb-in. Non-Spring Return	
	2	Dual-ended shaft		Normally Closed Spring Return
	4			Non-Spring Return
	5			Normally Closed Spring Return
	A	0 Auxiliary Switches	Adjustable Stroke	Normally Closed
	B	1 Auxiliary Switch		
	C	2 Auxiliary Switches		
	D	0 Auxiliary Switch		
	E	1 Auxiliary Switch		
	F	2 Auxiliary Switches		

M	61	8	4	A	XXXX	See Catalog for Complete O.S. Number
---	----	---	---	---	------	--------------------------------------

**Table 2. Series 62 Feedback Characteristics**

OS Number	Feedback Resistance (Resistance between terminals T, G, and Y)	Sensitivity Adjustment	Linear Feedback	Series 90 Slaving Shunt Resistor
M6284D1000-S, M6284D1026-S, M6284D4004-S, M6285A1005-S, M6285A1054-S, M6285A4009-S	TG = 370-2400-920 ohm curve (non-linear) TY = 920-2400-370 ohm curve (non-linear) YG = 600 ohms constant	No	No	187 Ohm
M6274F1009-F, M6284F1070-F, M6284F1078-F, M6285F1001-F, M6294F1009-F, M6294F1017-F, M6284D1032-F	TG = 0-10K ohm (linear) TY = 10-0K ohm (linear) YG = 10K ohms constant	No	Yes	Not Available
M6284A1071-S, M6284A1089-S, M6284C1028-S	TG = 370-2350-630 ohm curve (non-linear) TY = 630-2350-370 ohm curve (non-linear) YG = 196 ohms constant for 160° stroke, 346 ohms constant for 90° stroke.	Yes	No	274 Ohm
M6284A1030-S, M6284A1055-S, M6284A1097-S, M6284B1004-S, M6284C1010-S, M6284C1044-S, M6284F1013-S, M6284F1039-S, M6285A1039-S, M6285A1047-S, M6285C1001-S, M6294B1036-S, M6294D1008-S	TG = 370-2300-550 ohm curve (non-linear) TY = 550-2300-370 ohm curve (non-linear) YG = 119 ohms constant for 160° stroke, 224 ohms constant for 90° stroke.	Yes	No	Not Necessary
M6284F1062-S	TG = 370-2800-1990 ohm curve (non-linear) TY = 1990-2800-370 ohm curve (non-linear) YG = 1800 ohms constant	No	No	Not Available

\* All resistance ranges given in the "Feedback Resistance" column are for 160° motors. For a 90° motor that range will be truncated to either the first half if it's an asymmetrical motor (for example, a -F would go from 0-5K) or truncated to the middle half if it's a symmetrical motor (for example, a -F motor would go from 2.5-7.5K).

"-S" Non-linear Feedback for Slaving Series 90 Mod IV Motor

"-F" 0-10K Feedback

Both the "-S" and the "-F" can be used as a voltage divider. When a constant voltage is applied to YG, a voltage signal can be read over TG that varies linearly with the stroke of the motor from 4-96% of the constant voltage applied to YG, for a 160° motor only. For 90° asymmetrical motor the signal from TG varies from 4-56% and for a 90° symmetrical motor the signal from TG varies from 24-76%. A signal can also be read from TY which is the opposite of the signal from TG.

NOTE: Limited models available in Europe, check your local representative for the availability.

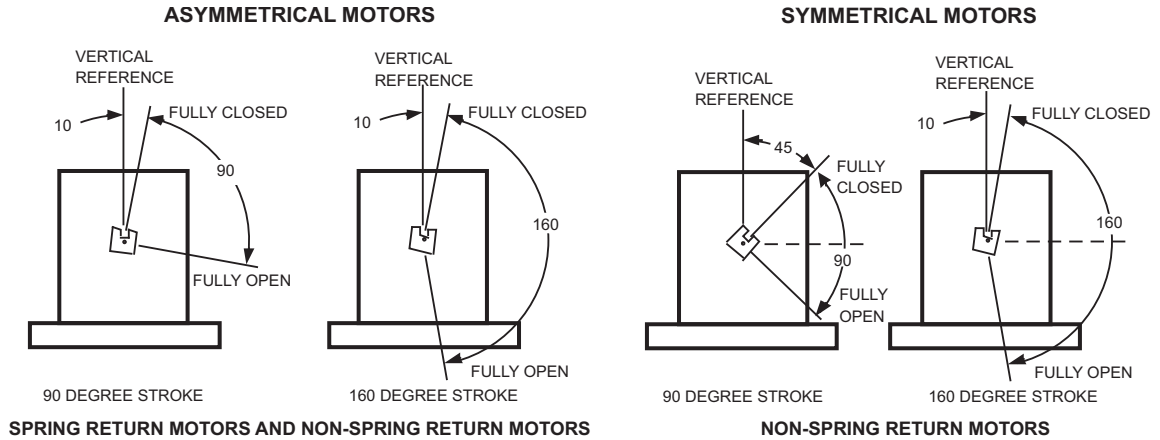


Fig. 1. Stroke

Table 3. Primary 50017460-001 Color Code.

Power Consumption	
Lead Color	Primary Voltage
Brown	24 VAC
White	120 VAC
Blue	230 VAC
Black	Common

Table 4. Power Consumption Ratings.

Power Consumption	
Model Number	VA Rating
M6184A	15
M6184B	10
M6184D	15
M6184F	15

Auxiliary Switch Ratings: See Table 5.

**Control Inputs:**

Floating three-wire (Series 60): drive open, hold, drive closed.  
 Series 62 models include an internal, electrically isolated feedback potentiometer that provides shaft position indication.

Table 5. Auxiliary Switch Ratings.

Single Contact Rating <sup>a</sup>	120V (in Amps)	240V (in Amps)
Full Load	7.2	3.6
Locked Rotor	43.2	21.6

<sup>a</sup> 40 VA pilot duty, 120/240 Vac on opposite contact.

**Ambient Temperature Ratings:**

Maximum: 150°F (66°C) at 25% duty cycle.  
 Minimum: -40°F (-40°C).

**Dead Weight Load On Shaft:**

Power or Auxiliary End: 200 lb (90.8 kg) maximum.  
 Maximum Combined Load: 300 lb (136 kg).

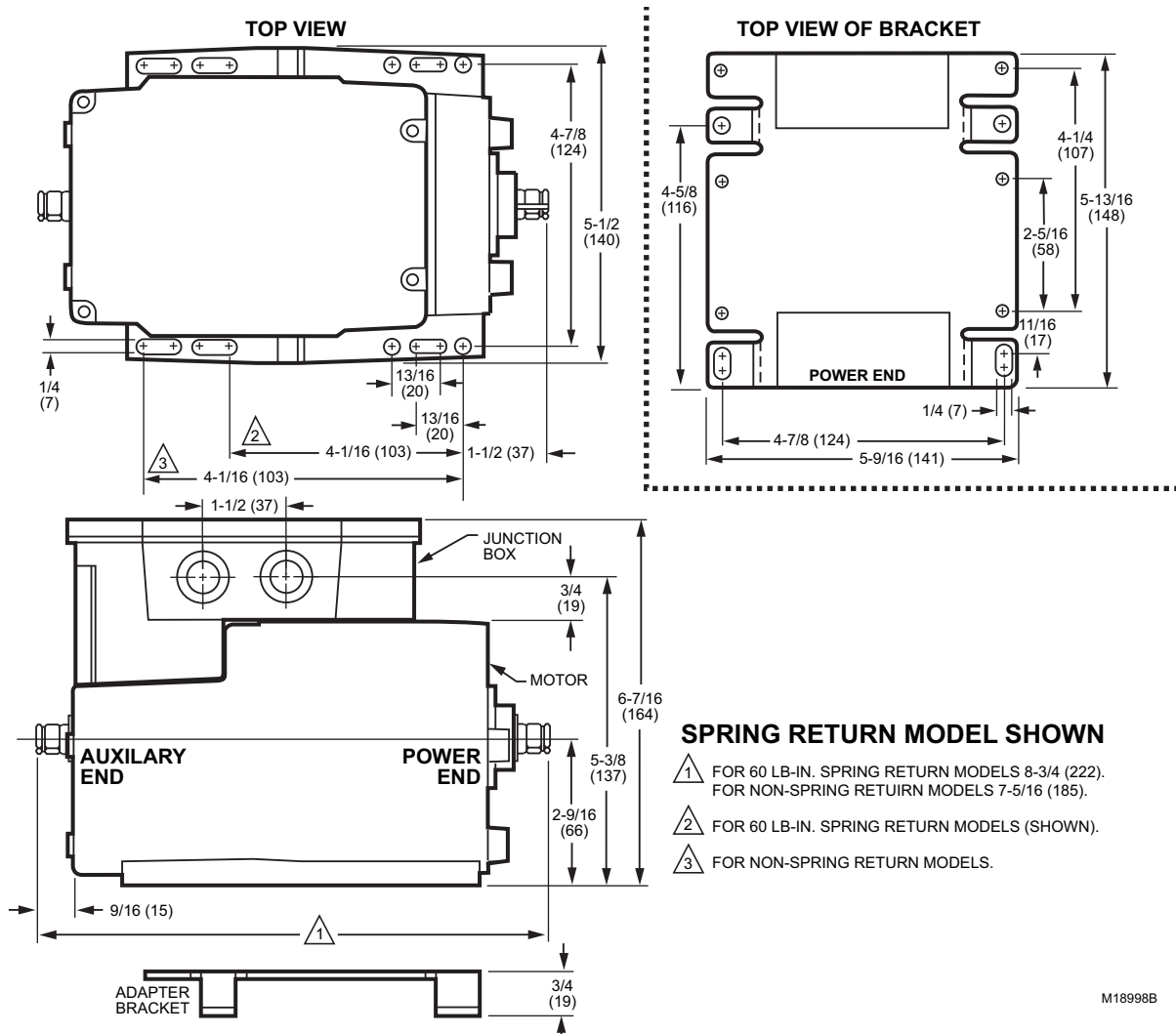
**Crankshaft:** 3/8 in. (9.5 mm) square.

**Stroke:** Adjustable Stroke Models: Available field-adjustable from 90° to 160°. (See Stroke Setting procedure.)

**Timing And Torque:** See Table 6.

**Lifetime**

60,000 Full Stroke Cycles  
 Repositions: 1.5 million



M18998B

Fig. 2. Series 61 and 62 Modutrol IV Motor mounting dimensions in inches (mm).

Table 6. Series 61 and 62 Modutrol IV Motor Timing and Torque Ratings.

Nominal Timing <sup>a</sup> in sec		Rated Torque in lb-in. (N•m) <sup>b</sup>			
		Normal Running Torque		Breakaway Torque <sup>c</sup>	
90° Stroke	160° Stroke	Spring Return	Non-Spring Return	Spring Return	Non-Spring Return
15	30	—	75 (8.5)	—	150 (17.0)
30	60	60 (6.8)	35 (4.0)	120 (13.6)	70 (7.9)
			150 (17.0)		300 (34.0)
60	120		300 (34.0)		600 (68.0)
120	240	—	150 (17.0)	—	300 (34.0)

<sup>a</sup> Timings apply to all TRADELINE models. Some OEM models are available with non-standard timing/torque.

<sup>b</sup> Torque ratings for dual-ended shaft motors are the sum of the shaft torques (power-end torque plus auxiliary-end torque).

<sup>c</sup> Breakaway torque is the maximum torque available to overcome occasional large loads such as a seized damper or valve.

**NOTE:** Torque designation corresponds to torque rating at standard timing (nominally 60 seconds for 160° and 30 seconds for 90° except for 300 lb-in. motors that have timings of 2 or 4 minutes).

**IMPORTANT**

Never use motor continuously at the Breakaway Torque rating.

**Feedback Potentiometer (Series 62 Models Only):**

TRADELIN Models (Can be shunted for slaving a Series 90 Motor).

**Approvals:**

Underwriters Laboratories Inc. Listed: File No. E4436, Guide No. XAPX. For USA and Canada.  
U.S. Patents: pending

**Accessories:**

- 220736A Internal Auxiliary Switch Kit; one switch, can be field-installed.
- 220736B Internal Auxiliary Switch Kit; two switches, can be field-installed.
- 220738A Adapter Bracket raises motor shaft height by 3/4 inch (19 mm) to match that of previous Modutrol Motor models.
- 220741A Screw Terminal Adapter converts the standard quick-connect terminals to screw terminals.
- 221455A Infinitely Adjustable Crank Arm, can rotate through downward position and clear motor base without requiring an adapter bracket.
- 4074ERU Weatherproofing Kit provides NEMA 3 rating for Modutrol IV Motors mounted in position other than upright.
- 50017460-001 Internal Transformer; 24/120/230 Vac 50/60 Hz primary, 24 Vac secondary, quick connect terminals.
- 50017460-003 Internal Transformer; 120 Vac 50/60 Hz primary, 24 Vac secondary, quick connect terminals.
- 7617ADW Crank Arm, can rotate through downward position and clear motor base without requiring an adapter bracket.
- Q100 Linkage connects Modutrol Motor to V51 Butterfly Valve. Requires the 220738A Adapter Bracket.
- Q181 Auxiliary Potentiometer for sequence or unison control of 1 to 4 additional modulating (Series 90) motors.
- Q5001 Bracket and Linkage Assembly connects Modutrol IV Motor to water or steam valve.
- Q605 Damper Linkage connects motor to damper. Includes motor crank arm.
- Q607 External Auxiliary Switch controls auxiliary equipment as a function of motor position.
- ES650-117 Explosion-Proof Housing encloses motor for use in explosive atmospheres. Not for use with Q5001 (or any other valve linkages). Order separately from Nelson Enclosures. To order, contact:  
EGS Enclosures in Houston, TX  
Karen Barfield 281-774-3763  
Karen.Barfield@egsec.com  
<http://appleonelec.com>  
Part number ES-650-117  
You need to order a 7617DM coupling assembly from Honeywell to use with the cover.

## INSTALLATION

### When Installing this Product...

1. Read these instructions carefully. Failure to follow them could damage the product or cause a hazardous condition.
2. Check the ratings given in the instructions and on the product to make sure the product is suitable for your application.
3. Installer must be a trained, experienced service technician.
4. After installation is complete, check out product operation as provided in these instructions.



### CAUTION

**Electrical Shock or Equipment Damage Hazard.**  
**Can shock individuals or short equipment circuitry.**

Disconnect all power supplies before installation. Motors with auxiliary switches can have more than one disconnect.



### CAUTION

**Equipment Damage Hazard.**  
**Can damage the motor beyond repair.**

Never turn the motor shaft by hand or with a wrench. Forcibly turning the motor shaft damages the gear train and stroke limit contacts.

**IMPORTANT**

*Always conduct a thorough checkout when installation is complete.*

### Location

Allow enough clearance for accessory installation and motor servicing when selecting a location (see Fig. 2). If located outdoors, use liquid-tight conduit connectors with the junction box to provide NEMA 3 weather protection. If mounted outdoors in a position other than upright, install a 4074ERU Weatherproofing Kit and liquid-tight connectors to provide NEMA 3 protection.



### CAUTION

**Motor Damage Hazard.**  
**Deteriorating vapors and acid fumes can damage metal parts.**

Install motor in areas free of acid fumes and other deteriorating vapors.

In excessive salt environments, mounting base and screws should be zinc or cadmium plated, not stainless steel or brass. Use the 220738A Adapter Bracket for mounting on these surfaces.

### Mounting

Use the following guidelines for proper motor mounting:

- Always install motors with the crankshaft horizontal.
- Mounting flanges extending from motor housing base are drilled for 1/4 inch (6.4 mm) machine screws or bolts.
- Non-Spring Return Motors are shipped from the factory in the closed position (at the limit of counterclockwise rotation, as viewed from the power end of the motor).

### Adapter Bracket

The 220738A Adapter Bracket, positioned between the motor and the equipment, raises motor shaft height by 0.75 in. (19 mm) to match that of previous Modutrol Motor models.

The following applications require this bracket:

- Q607 External Auxiliary Switch.
- Damper linkage applications require added clearance to allow:

- Crank arm rotation through the downward position.
- Sufficient damper linkage to reach the motor shaft.
- All valve linkages except the Q5001.

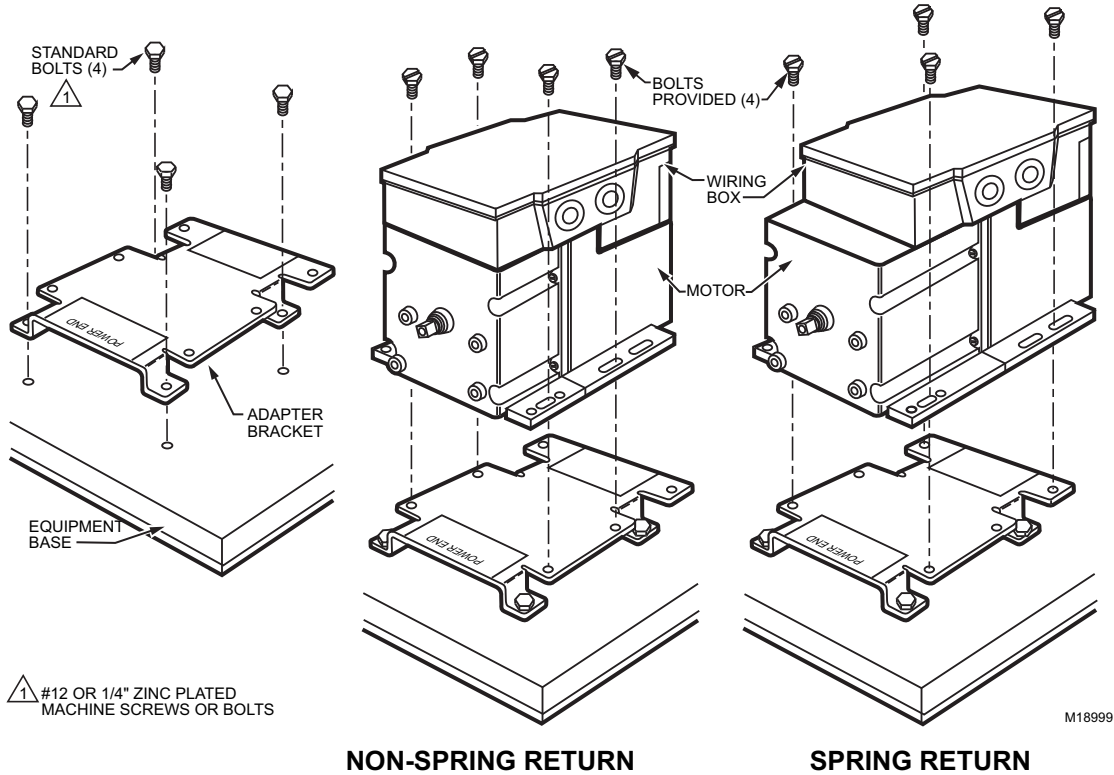
**NOTE:** When the bracket is not used in a replacement application, the damper linkage requires adjustment for the new shaft position.

To mount the motor with the bracket:

1. Mount the bracket to the equipment with existing or standard bolts.
2. Using the provided bolts, mount the motor to the bracket threaded holes. See Fig. 3.

For valve linkage applications (other than the Q5001):

1. Mount the bracket to the linkage.
2. Position the motor on the bracket to align the motor shaft with the linkage.
3. Attach the motor to the bracket with the four bolts provided. See Fig. 4.



**NON-SPRING RETURN                      SPRING RETURN**  
**Fig. 3. Mounting the motor with an adapter bracket.**

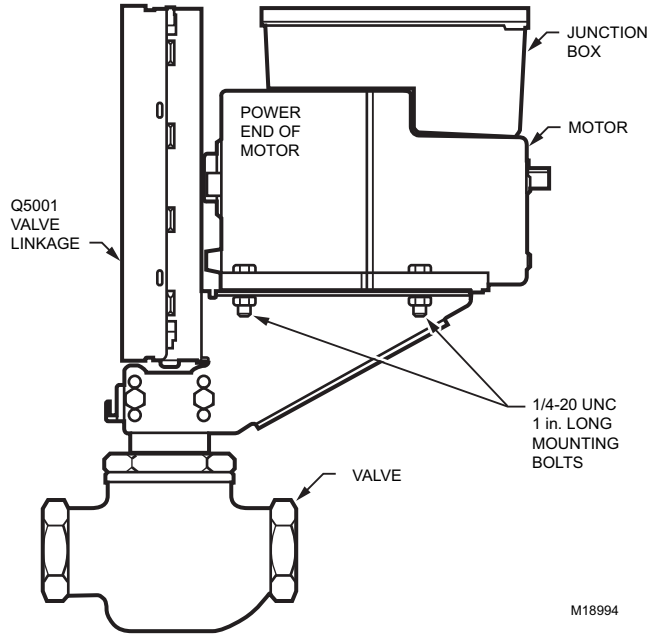


Fig. 4. Mounting the motor on a Q5001 Valve Linkage.

## Damper Linkages

The motor does not include a crank arm. Order the crank arm separately (see Accessories in the Specifications section). For detailed instructions on the assembly of specific linkages, refer to the Installation Instructions packed with the linkage.

**CAUTION**  
**Equipment Damage Hazard. Stalling a motor can damage the drive shaft.**  
 Ensure installation of motors and linkages allows the motor to drive through full stroke without obstruction.

## Valve Linkages

The Q100 Linkage requires a 220738A Adapter Bracket for all valve applications. Applications with the Q5001 Valve Linkage do not require the 220738A Adapter Bracket (see Fig. 4).

## Junction Box

When used with liquid-tight conduit connectors, the junction box provides NEMA 3 weather protection for the motor. The junction box, standard with replacement motors, encloses the terminals and provides knockouts for wiring conduits. Housing an internal transformer or internal auxiliary switches requires using a junction box.

## Wiring

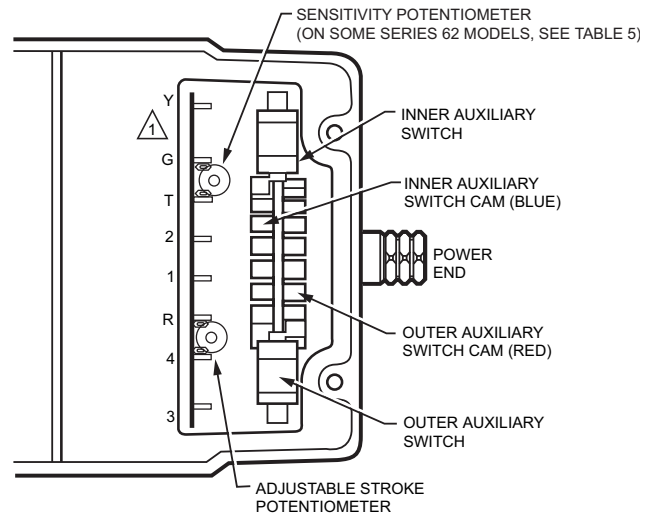
**CAUTION**  
**Electrical Shock or Equipment Damage Hazard. Can shock individuals or short equipment circuitry.**  
 Disconnect all power supplies before installation. Motors with auxiliary switches can have more than one disconnect.

### IMPORTANT

All wiring must agree with applicable codes, ordinances and regulations.

1. Ensure that the voltage and frequency stamped on the motor correspond with the power supply characteristics.
2. When connecting several motors in parallel, ensure that the power supply VA rating is large enough to provide power to all motors used without overloading.
3. Fig. 5 shows that motor terminals are quick-connects located on top of the printed circuit board.
4. To access the wiring compartment:
  - a. Remove the four screws from the junction box top.
  - b. Lift off the cover.
5. Refer to Fig. 6 and 7 for typical wiring, and Fig. 11 for internal auxiliary switch connections.

**NOTE: Reverse motor rotation by switching wires at either the motor or panel. Reverse rotation on Series 61 models by reversing wires at terminals W and B. Reverse rotation on Series 62 models by reversing wires at terminals 1 and 2 (to correct motor rotation) and reverse wires at terminals Y and G (to maintain a feedback signal that corresponds with shaft rotation),**

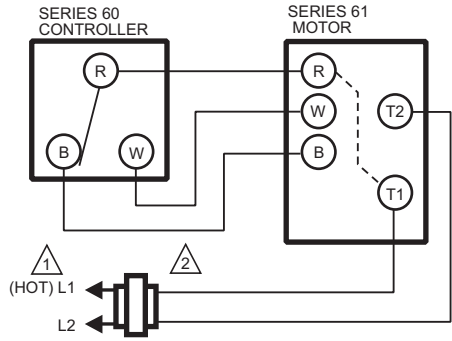


1 SERIES 62 TERMINAL DESIGNATIONS SHOWN.

NOTE: NOT ALL FEATURES AVAILABLE ON ALL MODELS.

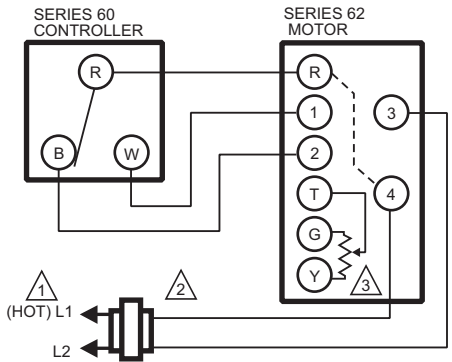
M13600B

Fig. 5. Terminals and adjustments.



- 1 POWER SUPPLY. PROVIDE DISCONNECT MEANS AND OVERLOAD PROTECTION AS REQUIRED.
  - 2 TRANSFORMER MAY BE INTERNAL OR EXTERNAL TO MOTOR.
- M17095B

Fig. 6. Series 61 motor wiring.



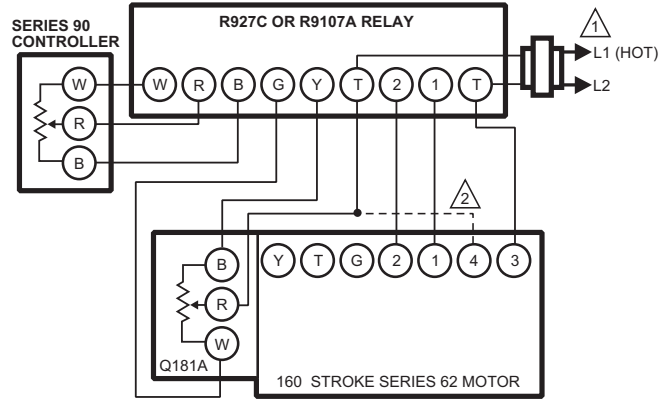
- 1 POWER SUPPLY. PROVIDE DISCONNECT MEANS AND OVERLOAD PROTECTION AS REQUIRED.
  - 2 TRANSFORMER MAY BE INTERNAL OR EXTERNAL TO MOTOR.
  - 3 FEEDBACK POTENTIOMETER.
- M17096A

Fig. 7. Series 62 motor wiring.



## CAUTION

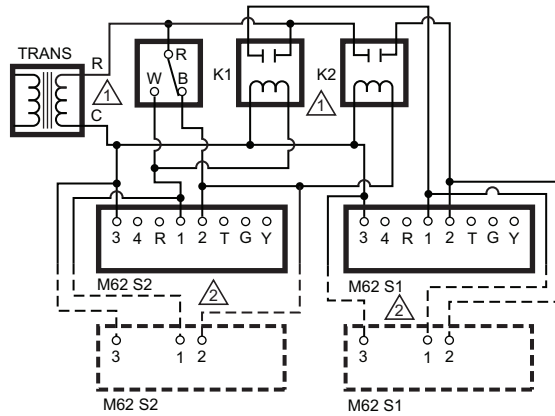
Ensure that L1(hot) on the transformer matches 4 (internal hot) on the motor and L2 matches 3 (internal ground) on the motor.



- 1 POWER SUPPLY. PROVIDE DISCONNECT MEANS AND OVERLOAD PROTECTION AS REQUIRED.
  - 2 CONNECTION REQUIRED ONLY FOR SPRING RETURN MOTORS.
- M17098A

Fig. 8. Connections to R927C or R9107A Relay.

WIRING DIAGRAM M62XX SERIES 1 AND SERIES 2 PARALLEL APPLICATION



- 1 SIZE RELAYS AND TRANSFORMER PER SYSTEM REQUIREMENTS.
  - 2 ADDITIONAL SERIES 2 OR SERIES 1 MOTORS CAN BE ADDED IN PARALLEL. DO NOT MIX SERIES 1 AND SERIES 2 IN THE SAME LINE. ONLY WIRE SERIES 1 WITH SERIES 1 AND SERIES 2 WITH SERIES 2 IN PARALLEL.
- M27044

Fig. 9. Series 1 and Series 2 Parallel Application



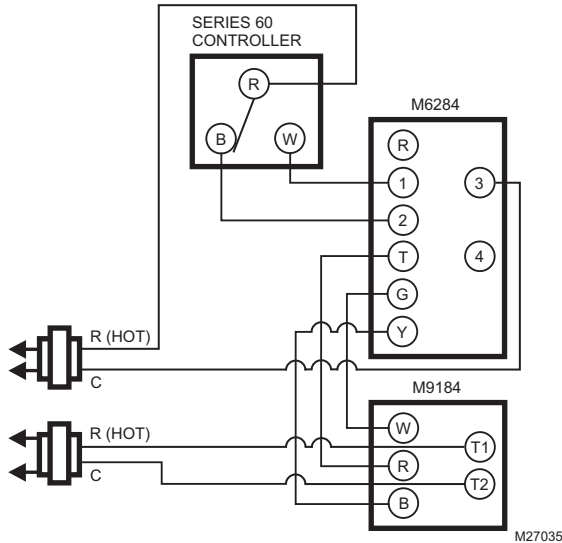


Fig. 10. Series 60 and Series 90 in Slaving Application

The motors in the application need to be all symmetrical or all asymmetrical. The M62 motor needs to be a “-S” slaving model, as listed in Table 2. In order to get the correct response the Series 62 needs the appropriate shunt resistor from Table 2. The motors' potentiometer settings are given in the configuration table (Table 7) below. When slaving more than one Series 90 motor use the appropriate resistor table as indicated by the configuration table and install two resistors to ONE of the motors (Table 8 and 9). If the motor is the M62 master connect one resistor from terminals T to G and one from T to Y. If the motor is one of the M90 slaves connect one resistor from terminals R to B and one from R to W.

**NOTE: More than 6 slaves is not recommended.**

Table 7. Configuration Table

Symmetrical or Asymmetrical	Master Stroke	Slave Stroke	Master Stroke Pot	Master Sensitivity Pot	Slave Stroke Pot	Slave Sensitivity Pot	Resistor Table	
Symmetrical	160	160	CW	CW	CW	CW	1	
Symmetrical	90	90	CCW	CCW	CCW	CCW	2	
Symmetrical	160	90	CCW	CW	CCW	CCW	1	
Symmetrical	90	160	Configuration not recommended					
Asymmetrical	160	160	CW	CW	CW	CW	1	
Asymmetrical	90	90	CCW	CW	CW	CW	1	
Asymmetrical	160	90	Configuration not recommended					
Asymmetrical	90	160	Configuration not recommended					

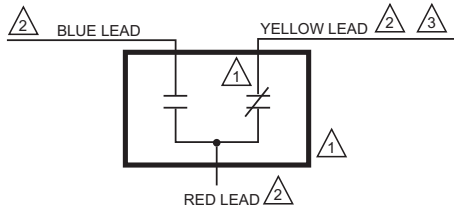
Table 8. Resistor Table 1

Number of Slaves in Parallel	Resistor Value
1	NONE
2	3500 Ohms
3	2000 Ohms
4	1300 Ohms
5	1000 Ohms
6	800 Ohms

Table 9. Resistor Table 2

Number of Slaves in Parallel	Resistor Value
1	NONE
2	5000 Ohms
3	2400 Ohms
4	1700 Ohms
5	1400 Ohms
6	1200 Ohms

**NOTE: Vibration does not affect Modutrol IV Motor performance (as it did in earlier Modutrol Motors). When replacing a motor that was connected to an R927C or R9107A Relay, Honeywell recommends performing a retrofit to remove the relay and the old motor. Replace both with one Series 90 Modutrol IV motor (that is, do not replace the relay).**



- 1 USE NEC CLASS 1 WIRING UNLESS POWER SUPPLY MEETS CLASS 2 REQUIREMENTS. TAPE UNUSED LEADS. ENSURE THE CURRENT DRAW OF THE EXTERNAL CIRCUIT IS LESS THAN SWITCH CONTACT RATING.
- 2 ON TWO-SWITCH MOTORS, SECOND SWITCH HAS BLACK LEADS WITH BLUE, YELLOW, AND RED TRACERS.
- 3 SOME AUXILIARY SWITCH ASSEMBLIES INCLUDE ONLY RED AND YELLOW LEADS. SOME OTHERS DO NOT INCLUDE THE YELLOW LEAD.

M17099

Fig. 11. Auxiliary switch schematic.

## SETTINGS AND ADJUSTMENTS

### Before Setting Stroke



1. Remove the top cover from the motor.
2. Disconnect the controller from the motor.
3. For models with an internal transformer (line voltage motors), ensure that power (and nothing else) remains connected to the motor.

#### IMPORTANT



*Detach linkage from motor before adjusting stroke.*

### Adjustable Stroke

#### Series 61 Adjustable Stroke

When viewing from the power end of the motor, the stroke potentiometer is to the far left. To set the stroke to 160° (maximum position) turn the potentiometer fully clockwise , using a 1/8 in. straight-blade screwdriver. To set the stroke at 90° (minimum position) turn the potentiometer fully counter-clockwise . Setting the potentiometer anywhere between fully clockwise and fully counter-clockwise will set the stroke between 160° and 90°.

#### Series 62 Adjustable Stroke

When viewing from the power end of the motor, the stroke potentiometer is to the far left. The sensitivity potentiometer is to the far right. To set the stroke to 160° (maximum position) turn both potentiometers fully clockwise , using a 1/8 inch straight-blade screwdriver. To set the stroke at 90° (minimum position) turn both potentiometers fully counter-clockwise . Setting the potentiometer anywhere between fully clockwise and fully counter-clockwise will set the stroke between 160° and 90°.

## CAUTION

**Careless Installation Hazard.**  
Use of excessive force while adjusting cams damages the motor.

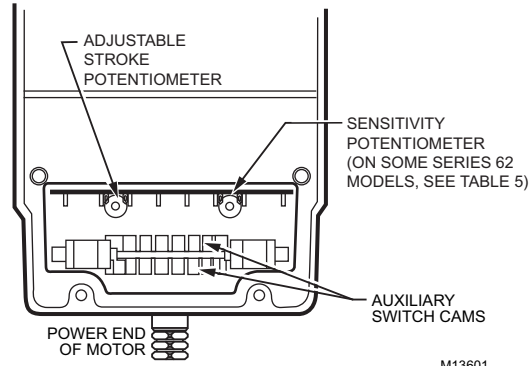
To avoid damaging motor end switches, set cams by moving only the screwdriver top.

## CAUTION

**Equipment Damage Hazard.**

**Can damage the motor beyond repair.**

Never turn the motor shaft by hand or with a wrench. Forcibly turning the motor shaft damages the gear train and stroke limit contacts.



M13601

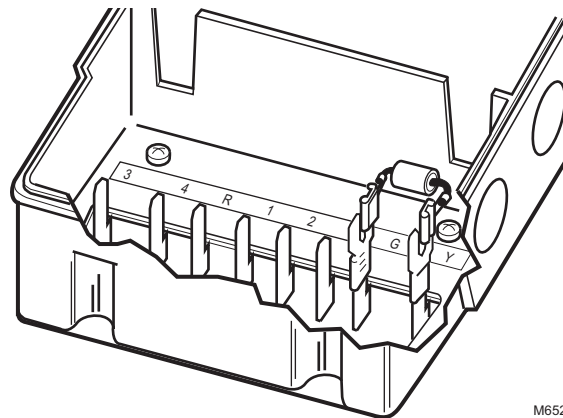
Fig. 12. Stroke adjustments setup.

### Feedback Potentiometer Configuration (Series 62 TRADELINE® Motors Only)

Select and install a shunt resistor to obtain the appropriate feedback characteristic for your application. See the Specifications section for details on feedback resistance without a shunt resistor.

**NOTE:** Due to circuit protection components, the resistance cannot be read directly, use a voltage divider to read the position of the motor.

- Linear feedback provides linear indication of shaft position with no shunt resistor.
- Slaving a Series 90 Motor requires full-stroke feedback resistance of 142 ohms. Select and attach the proper shunt resistor across terminals Y and G (see Table 2 and Fig. 13).



M652

Fig. 13. Attaching a shunt resistor to TRADELINE motors.

## Auxiliary Switches

Adjustable cams actuate the auxiliary switches. These cams can be set to actuate the switches at any angle within the motor stroke. Select switch differential of 1° or 10°.

Motors with factory-added auxiliary switches are shipped in the closed position (fully counterclockwise, as viewed from the power end). Auxiliary cam default actuates the switches 30° from fully open with a 1° differential. With the motor in the closed (fully counterclockwise) position, the auxiliary switch breaks contacts R-B. See Fig. 11 (or the auxiliary switch Installation Instructions) for auxiliary switch wiring.

**NOTE:** Series 2 Motors are shipped with auxiliary switch cams that permit acceptance of 220736A,B Internal Auxiliary Switch Kits. Refer to Form no. 63-2228 for 220736A,B Installation Instructions.

## Auxiliary Switch Adjustment

### IMPORTANT

*When adjusting the auxiliary switch cams use the following procedure:*

- 1. Insert 1/8 in. screwdriver blade into a slot on cam and move the screwdriver top as far as possible in the required direction. See Fig. 14.*
- 2. Repeat step 1 in successive cam slots until the cam is in the required position.*

Use the following procedure to obtain the desired auxiliary switch settings:

1. Remove the top cover from the motor to gain access to the motor terminals and auxiliary cams.
2. Disconnect the controller from the motor.
3. Drive the motor to the position where the auxiliary equipment is to be switched as follows:

- a. For Non-Spring Return models without a transformer, connect 24 Vac to terminals 2 and 3 to drive motor open (clockwise as viewed from the power end), or to terminals 1 and 3 to drive motor closed (counterclockwise).
  - b. For Non-Spring Return models with a transformer, jumper across terminals R and 2 to drive motor open (clockwise as viewed from the power end), or across terminals R and 1 to drive motor closed (counterclockwise).
  - c. For Spring Return models, connect a jumper across terminals 2 and 4 to drive the motor open, or across terminals 1 and 4 to drive the motor closed.
4. Once motor reaches correct position, disconnect the jumper.
  5. For a switch differential of 1°, check continuity of auxiliary switch contacts R-B and rotate the cam as follows:
    - a. If the contacts are open, rotate the cam clockwise until the R-B contacts close.
    - b. If the contacts are closed, rotate the cam counterclockwise until the R-B contacts open.
  6. For a switch differential of 10°:
    - a. For Spring Return models, rotate the cam approximately 180° so the slow-rise portion of the cam actuates the switch. Then check continuity of the auxiliary switch contacts R-B.
    - b. For Non-Spring Return models, check continuity of the auxiliary switch contacts R-B.
  7. Rotate the cam as follows:
    - a. If the contacts are open, rotate the cam counterclockwise until the R-B contacts close.
    - b. If the contacts are closed, rotate the cam clockwise until the R-B contacts open.
  8. Check for the proper differential and switching of the auxiliary equipment by driving the motor through the full stroke in both directions.
  9. Disconnect the jumper, reconnect the controller, and replace the top cover on the motor.

**NOTE:** Changing the differential from 1° to 10° reverses the switching action. For example, with a 10° differential, switch contacts R-B make and R-W break on a counterclockwise (closed) rotation. With a 1° differential, switch contacts R-W make and R-B break on a counterclockwise (closed) rotation.

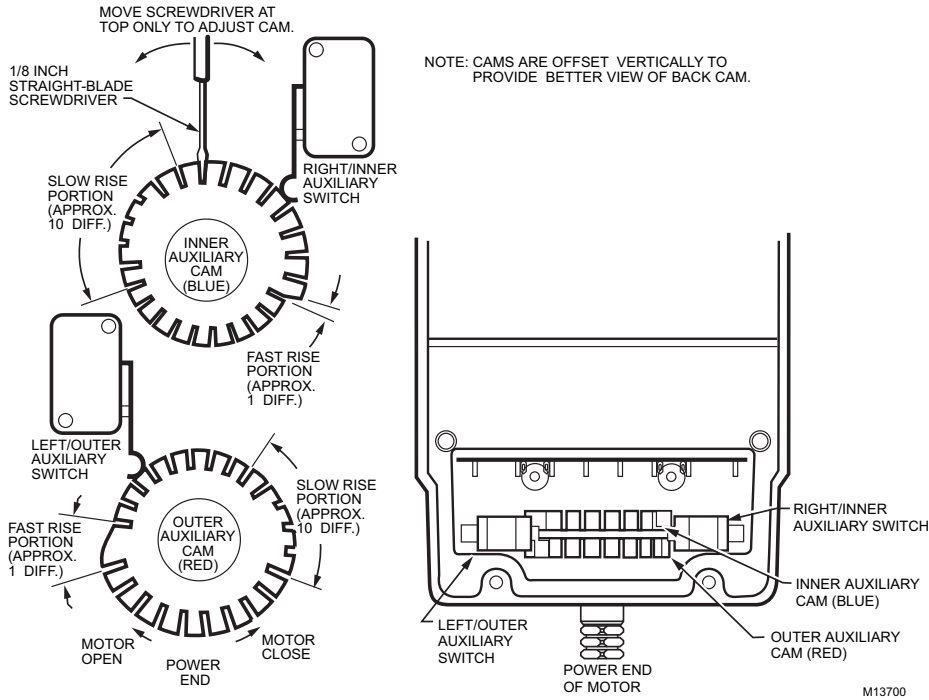


Fig. 14. Auxiliary switch adjustment.

## OPERATION

Use Series 61 and 62 Modutrol IV Motors for standard Series 60 operation (drive open, hold, drive closed). Series 62 motors can also be used with the feedback potentiometer as an input to the controller.

See Table 10 for details on motor response to controller signals.

**NOTE:** Reverse the wires at either the motor or controller.

To reverse the rotation direction of a non-spring return motor:

- Reverse the wires at terminals W and B.

Table 10. Modutrol IV Motor Operation.

Motor Type	Terminal Connection		Resulting Action
	Series 61	Series 62	
Non-Spring Return or Spring Return	R-W	R-1	ccw (closed)
	R-B	R-2	cw (open)
Non-Spring Return or Spring Return	R-nothing	R-nothing	stops driving
Non-Spring Return	Power Failure	Power Failure	stops (none)
Spring Return	Only Upon Power Failure	Only Upon Power Failure	spring return (closed)

## CHECKOUT

After the installation and linkage adjustment, check the entire motor and control hookup. Proper checkout ensures that:

- The motor operates the load (damper or valve) properly.
  - The motor responds properly to the controller as the input varies. See Table 10.
  - The auxiliary switch, if used, operates at the desired point of motor rotation.
1. Inspect motor, linkage, and valve or damper to ensure all mechanical connections are correct and secure.

**NOTE:** In damper installations, the pushrod should not extend more than a few inches past the ball joints.

2. Ensure that there is adequate clearance for the linkage throughout the entire motor stroke without binding or striking other objects.
3. Drive the motor fully open and fully closed. See Table 10.

**NOTE:** Refer to controller or system instructions for additional checkout procedures.

## M62 Checkout

The following procedure will verify that the M62 external feedback potentiometer is working for a -F or -S model.

- Connect 24 VAC to terminals 3 and 4.
- Connect 5-10 VDC to terminals Y and G (connect + to Y and - to G).
- Connect either a voltmeter or an oscilloscope to terminals T and G (connect + to T and - to G).
- Connect terminal R to terminal 1 to drive the motor towards the fully closed position.

- Connect terminal R to terminal 2 to drive the motor towards the fully open position.
  - Using the voltmeter or the oscilloscope, make sure the DC voltage is linearly increasing throughout its entire range.
  - The range of Vout for a 90 degree asymmetrical motor is 5-55% of Vin from closed to open.
  - The range of Vout for a 90 degree symmetrical motor is 25-75% of Vin from closed to open.
  - The range of Vout for a 160 degree motor is 5-95% of Vin from closed to open.
4. For spring return motors, ensure that the valve or damper returns to its normal position upon power failure.
  5. Return controller to the desired setting before leaving the job.

bracket is not required. Use the 220738A Adapter Bracket or the 221455A Crank Arm if the crank arm must rotate through the bottom plane of the motor.

- a. If no bracket is required, mount the new motor directly to the equipment and refer to the Installation, Settings and Adjustments, and the Operation and Checkout sections.
  - b. If the bracket is required, refer to the Adapter Bracket section and Fig. 3 in addition to the Installation, Settings and Adjustments, and the Operation and Checkout sections.
4. Use No. 12 or 1/4 inch machine screws or bolts to mount the new motor.
  5. Mount damper crank arm and linkage to the new motor shaft.
  6. Use the Checkout procedures to test the crank arm and linkage adjustment.

## REPLACEMENT

### Damper Application

1. Turn off power and remove wiring from the old motor.
2. Remove the crank arm from the shaft of the old motor and remove the old motor.
3. Determine mounting bracket necessity. If the linkage can reach the new motor shaft position and the crank arm has clearance for the necessary rotation, the

### Valve Application

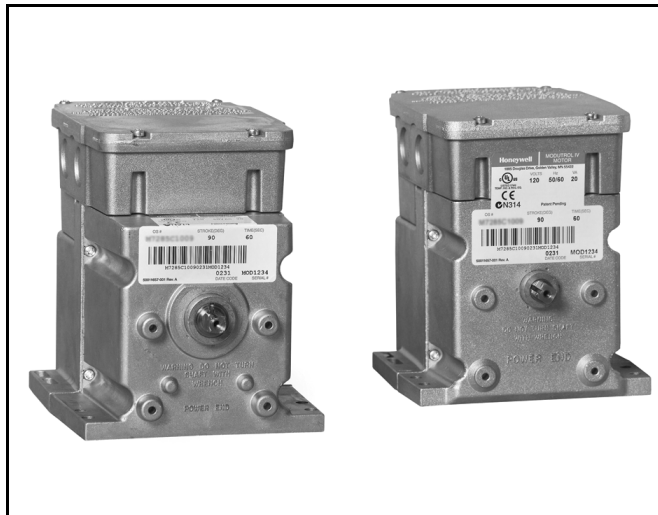
When replacing a motor in a valve application, the linkage type determines the necessity for the 220738A Adapter Bracket. With Q100, Q601 or Q618 Linkages, it is necessary to use the 220738A to raise the motor shaft to the appropriate height. Valve applications with a Q5001 Linkage do not require the 220738A Adapter Bracket. To operate Honeywell V5011 Two-way or V5013 Three-way Valves through full stroke, use a 160° stroke motor.

### Automation and Control Solutions

Honeywell International Inc.  
1985 Douglas Drive North  
Golden Valley, MN 55422  
customer.honeywell.com

## Servomoteurs Modutrol IV<sup>MC</sup> Séries 61 et 62

NOTICE TECHNIQUE



### APPLICATION

Les servomoteurs Modutrol IV<sup>MC</sup> de séries 61 et 62 sont des appareils trifilaires à régulation flottante, avec ou sans ressort de rappel. Ils sont destinés à des régulateurs qui assurent la commutation à sortie flottante, unipolaire et bidirectionnelle de vannes ou de registres. Les servomoteurs de série 62 sont équipés d'un potentiomètre d'asservissement électriquement isolé qui indique la position de l'arbre et peut asservir d'autres servomoteurs de série 90 ou rééquilibrer un circuit de commande externe.

### CARACTÉRISTIQUES

- Remplacent les servomoteurs M644, M944B, E, G, H, J, K, R, S et M945B, C, G, K, L, AD.
- Boîte de jonction intégrée assurant une protection contre les intempéries selon la norme NEMA 3.
- Le ressort de rappel intégré ramène le moteur à la position normale en cas de coupure de courant.
- Servomoteur et circuit alimentés en courant 24 V c.a. Il existe des modèles comportant un transformateur installé en usine et des modèles auxquels on peut ajouter un transformateur interne sur place.
- Bornes standards à connexion rapide; adaptateur pour bornes à vis également offert.
- Support d'adaptation permettant d'ajuster la hauteur de l'arbre des anciens servomoteurs.
- Modèles à course réglable sur place (90° à 160°).
- Boîtier en aluminium moulé.
- Interrupteurs auxiliaires intégrés (installation en usine) ou pouvant être ajoutés sur place.
- Durée nominale standard de la course de 30 secondes à 90° et de 60 secondes à 160°. Autres durées également offertes.
- Les servomoteurs à ressort de rappel peuvent commander des accouplements de vanne du côté commande ou du côté auxiliaire des arbres dans les applications de vannes normalement ouvertes ou normalement fermées.
- Tous les modèles possèdent des arbres doubles (tarudés et à créneaux à chaque bout).
- Tous les modèles sont équipés de cames d'interrupteurs auxiliaires.
- Couple uniforme sur toute la plage de tension.
- Servomoteurs conçus pour des vannes et des registres normalement ouverts ou normalement fermés.
- Les modèles de série 62 comprennent un potentiomètre d'asservissement électriquement isolé qui indique la position de l'arbre.
- Les modèles TRADELINE de série 62 comportent un potentiomètre d'asservissement linéaire qui peut asservir des servomoteurs de série 90.



# CARACTÉRISTIQUES TECHNIQUES

**Modèles** : Les modèles TRADELINE® ont été choisis et emballés pour faciliter le stockage et la manutention et offrir une valeur de remplacement maximale. Leurs caractéristiques techniques sont les mêmes que celles des modèles standards, à moins d'avis contraire.

**Guide des numéros de pièce des Modutrol IV** : Voir le Tableau 1.

**Encombrement** : Voir la Figure 2.

**Asservissement** : Voir le Tableau 2.

**Caractéristiques électriques nominales** : Voir le Tableau 3.

**Tableau 11. Guide des numéros de pièce des Modutrol IV.**

M	Servomoteur				
	61	Régulation flottante			
	62	Régulation flottante avec asservissement			
	8	60 lb-po avec ressort de rappel	150 lb-po sans ressort de rappel		
	9	—	300 lb-po sans ressort de rappel		
	2	Arbre à deux extrémités	Normalement fermé à ressort de rappel		
	4		Sans ressort de rappel		
	5		Normalement fermé à ressort de rappel		
		A	0 interr. aux.	Course réglable	Normalement fermé
		B	1 interr. aux.		
		C	2 interr. aux.		
		D	0 interr. aux.		
		E	1 interr. aux.		
		F	2 interr. aux.		

M	61	8	4	A	XXXX	Voir le catalogue pour le numéro complet du produit
---	----	---	---	---	------	---

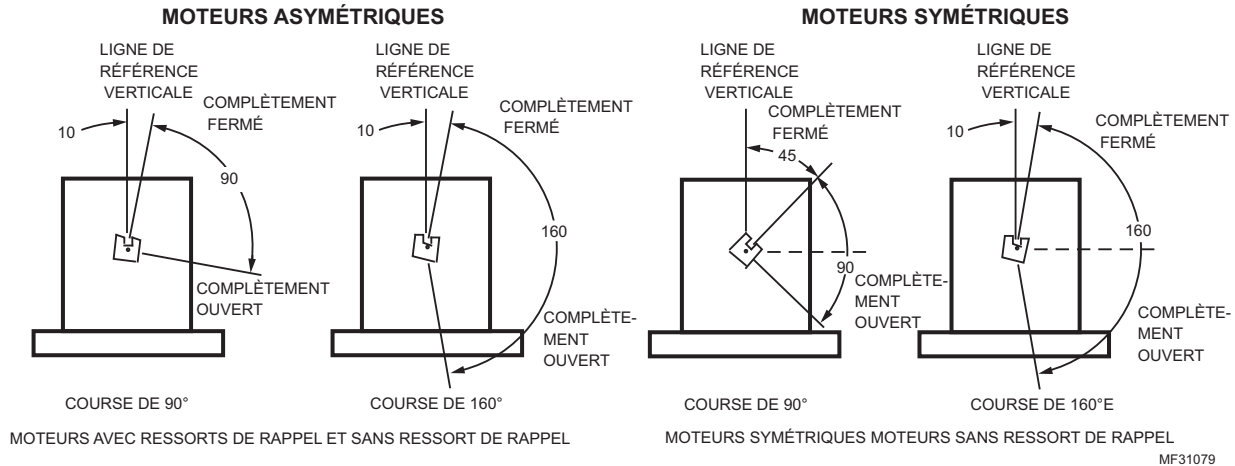
**Tableau 12. Caractéristiques de rétroaction Série 62**

Numéro de pièce	Résistance de rétroaction (résistance entre les bornes T, G et Y)	Réglage de la sensibilité	Rétroaction linéaire	Résistance de shunt asserv. servomoteur série 90
M6284D1000-S, M6284D1026-S, M6284D4004-S, M6285A1005-S, M6285A1054-S, M6285A4009-S	TG = 370-2400-920 Courbe ohm (non linéaire) TY = 920-2400-370 Courbe ohm (non linéaire) YG = 600 Ohms constant	Non	Non	187 Ohm
M6274F1009-F, M6284F1070-F, M6284F1078-F, M6285F1001-F, M6294F1009-F, M6294F1017-F, M6284D1032-F	TG = 0-10K Ohm linéaire TY = 10-0K Ohm linéaire YG = 10K Ohms constant	Non	Oui	Non disponible
M6284A1071-S, M6284A1089-S, M6284C1028-S	TG = 370-2350-630 Courbe ohm (non linéaire) TY = 630-2350-370 Courbe ohm (non linéaire) YG = Ohms constants pour une course de 160°, 346 Ohms constants pour une course de 90°.	Oui	Non	274 Ohm
M6284A1030-S, M6284A1055-S, M6284A1097-S, M6284B1004-S, M6284C1010-S, M6284C1044-S, M6284F1013-S, M6284F1039-S, M6285A1039-S, M6285A1047-S, M6285C1001-S, M6294B1036-S, M6294D1008-S	TG = 370-2300-550 Courbe ohm (non linéaire) TY = 550-2300-370 Courbe ohm (non linéaire) YG = 119 Ohms constants pour une course de 160°, 224 Ohms constants pour une course de 90°.	Oui	Non	Non nécessaire

**Tableau 12. Caractéristiques de rétroaction Série 62**

Numéro de pièce	Résistance de rétroaction (résistance entre les bornes T, G et Y)	Réglage de la sensibilité	Rétroaction linéaire	Résistance de shunt asserv. servomoteur série 90
M6284F1062-S	TG = 370-2800-1990 Courbe ohm (non linéaire) TY = 1990-2800-370 Courbe ohm (non linéaire) YG = 1800 Ohms constant	Non	Non	Non disponible
* Toutes les plages de résistance listées dans la colonne « Résistance de rétroaction » sont pour des moteurs à 160°. Pour un moteur de 90° la plage sera tronquée ou à la première moitié s'il s'agit d'un moteur asymétrique (par exemple un -F irait de 0 à 5 K) ou à la moitié du milieu s'il s'agit d'un moteur symétrique (par exemple un moteur F irait de 2,5 à 7,5 K).				
-S : Rétroaction non-linéaire pour servomoteur Mod IV série 90 à asservissement				
-F : Rétroaction 0 à 10 K				
-S et -F peuvent tous deux être utilisés comme réducteur de tension. Lorsqu'une tension constante est appliquée à YG, un signal de tension peut être lu sur TG qui varie de façon linéaire avec une course du moteur de 4 à 96 % de la tension constante appliquée à YG, pour un moteur de 160° uniquement. Pour un moteur asymétrique de 90° le signal de TG varie de 4 à 56 % et pour un moteur symétrique de 90° le signal de TG varie de 24 à 76 %. Un signal peut aussi être lu de TY qui est l'opposé du signal TG.				

REMARQUE : Un nombre limité de modèles est disponible en Europe; consultez vos représentants locaux pour les disponibilités.



**Fig. 15. Course**

**Tableau 13. Codes de couleurs 50017460-001 primaires.**

Consommation d'énergie	
Couleur du fil	Tension primaire
Marron	24 V c.a.
Blanc	120 V c.a.
Bleu	230 V c.a.
Noir	Commun

**Tableau 14. Caractéristiques électriques nominales.**

Consommation de courant	
Numéro de modèle	VA nominal
M6184A	15
M6184B	10
M6184D	15
M6184F	15

**Caractéristiques électriques nominales des interrupteurs :**  
Voir le Tableau 4

**Entrées de commande :**

Régulation flottante à trois fils (série 60) : ouverture, maintien, fermeture.

Les modèles de série 62 comprennent un potentiomètre d'asservissement intégré et électriquement isolé qui indique la position de l'arbre.

**Tableau 15. Caractéristiques électriques nominales des interrupteurs.**

Caractéristiques électriques nominales des interrupteurs <sup>a</sup>	120 V (en ampères)	240 V (en ampères)
Pleine charge	7,2	3,6
Rotor bloqué	43,2	21,6

<sup>a</sup>Circuit de commande de 40 VA, 120/240 V c.a. à l'interrupteur opposé

**Températures de service nominales :**

Maximum : 66°C (150°F) à 25 % du cycle de fonctionnement.



Minimum : -40°C (-40°F).

**Poids neutre sur l'arbre (maximum) :**

Côté commande ou auxiliaire : 90,8 kg (200 lb).

Charge combinée : 136 kg (300 lb).

**Arbre moteur :** 9,5 mm (3/8 po) carré.

**Course :** Modèles à course réglable : réglable sur place de 90° à 160° (Voir la marche à suivre pour le réglage de la course).

**Durée et couple :** Voir le Tableau 5.

**Durée de vie**

60 000 cycles à pleine course

Repositionnements : 1,5 millions

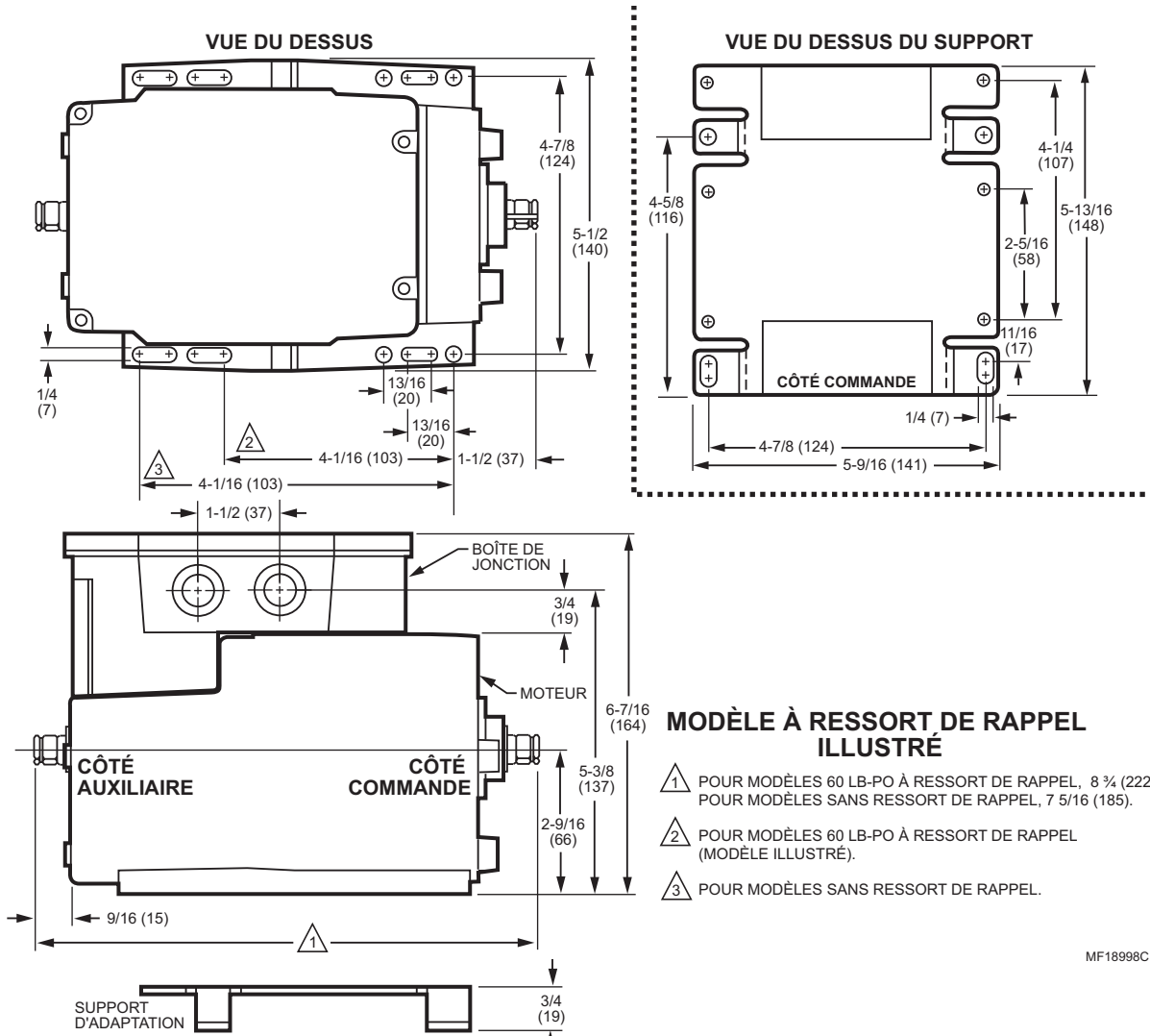


Fig. 16. Encombrement des servomoteurs Modutrol IV de séries 61 et 62 en po (mm).

Tableau 16. Durée et couple des servomoteurs Modutrol de série 61 et 62.

Durée nominale <sup>a</sup> en sec		Couple nominal en N.m (lb-po) <sup>b</sup>			
		Couple normal de service		Couple de décollage <sup>c</sup>	
Course de 90°	Course de 160°	Avec ressort de rappel	Sans ressort de rappel	Avec ressort de rappel	Sans ressort de rappel
15	30	—	8,5 (75)	—	17,0 (150)
30	60	6,8 (60)	4,0 (35)	13,6 (120)	7,9 (70)
			17,0 (150)		34,0 (300)
60	120		34,0 (300)		68,0 (600)
120	240	—	17,0 (150)	—	34,0 (300)

<sup>a</sup> La durée de la course est la même pour tous les modèles TRADELINE. Certains modèles pour fabricants sont offerts avec durée et couple non standards.

<sup>b</sup> Le couple des modèles à arbre aux deux extrémités correspond à la somme des couples de l'arbre (couple côté commande et couple côté auxiliaire).

<sup>c</sup> Le couple de décollage est le couple maximum possible servant à surmonter les charges importantes et occasionnelles qui se produisent par exemple lorsque le registre ou la vanne est coincé.

REMARQUE : La désignation du couple correspond au couple nominal à la durée standard de la course (course nominale de 60 secondes pour 160° et de 30 secondes pour 90° à l'exception des servomoteurs de 34 N.m (300 lb-po) dont la course dure 2 ou 4 minutes).

#### IMPORTANT

*Il ne faut jamais utiliser le servomoteur au couple de décollage de façon continue. Potentiomètre d'asservissement (modèles de série 62 seulement): Modèles TRADELINE (peuvent être shuntés pour asservir un servomoteur de série 90).*

#### Homologations :

Répertorié Underwriters Laboratories Inc. : n° de dossier E4436, guide n° XAPX. (Canada et États-Unis).

En instance de brevet aux États-Unis.

#### Accessoires :

- 220736A Jeu d'interrupteur auxiliaire interne; un interrupteur, peut être installé sur place.
- 220736B Jeu d'interrupteurs auxiliaires internes; deux interrupteurs, peuvent être installés sur place.
- 220738A Support d'adaptation servant à augmenter la hauteur de l'arbre du servomoteur de 19 mm pour qu'elle corresponde à celle des modèles antérieurs de Modutrol.
- 220741A Adaptateur pour bornes à vis - transforme les bornes standards à connexion rapide en bornes à vis.
- 221455A Bras de manivelle réglable à l'infini; il peut faire une rotation vers le bas et dégager la base du servomoteur sans qu'il soit nécessaire d'installer un support.
- 4074ERU Trousse d'étanchéisation, assure une protection NEMA 3 aux servomoteurs Modutrol IV montés dans une autre position qu'à la verticale.
- 50017460-001 Transformateur interne : primaire 24/120/230 V c.a., 50/60 Hz; secondaire 24 V c.a.; bornes à connexion rapide.
- 50017460-003 Transformateur interne : primaire 120 V c.a., 50/60 Hz; secondaire 24 V c.a.; bornes à connexion rapide.

7617ADW Bras de manivelle, il peut faire une rotation vers le bas et dégager la base du servomoteur sans qu'il soit nécessaire d'installer un support d'adaptation.

Q100 Accouplement servant à raccorder un servomoteur Modutrol à une vanne papillon V51. Nécessite un support d'adaptation 220738A.

Q181 Potentiomètre auxiliaire pour la commande en séquence ou en parallèle de 1 à 4 servomoteurs modulateurs additionnels (série 90).

Q5001 Ensemble support et accouplement servant à raccorder un servomoteur Modutrol IV à une vanne à eau ou à vapeur.

Q605 Accouplement de registre; raccorde un servomoteur à un registre; comprend le bras de manivelle du servomoteur.

Q607 Interrupteur auxiliaire externe - commande l'équipement auxiliaire en fonction de la position du servomoteur.

ES650-117 Le boîtier antidéflagrant protège le moteur dans les atmosphères explosives. Ne convient pas au Q5001 (ou à tout autre accouplement de vanne). Commander séparément auprès de EGS Enclosures. Pour commander, prière de s'adresser à : EGS Enclosures, (281) 774-3763; ou communiquer par écrit avec :

EGS Enclosures de Houston, au Texas

Karen Barfield 281-774-3763

Karen.barfield@egseg.com

<http://appleonelec.com/>

Numéro de pièce ES-650-117

Il faut obtenir un ensemble d'accouplement 7617DM de Honeywell qui sera utilisé avec le couvercle.

## INSTALLATION

### AVANT D'INSTALLER CET APPAREIL...

7. Lire attentivement les présentes instructions. Le fait de ne pas les suivre risque d'endommager le produit ou de constituer un danger

8. Vérifier les caractéristiques spécifiées dans les instructions et indiquées sur le produit, et s'assurer que celui-ci correspond à l'application prévue.
9. L'installateur doit être un technicien d'expérience ayant reçu une formation pertinente.
10. Après l'installation, vérifier le fonctionnement du produit comme indiqué aux présentes instructions.



## CAUTION

**Risque de choc électrique et de dommage matériel. Peut donner un choc électrique ou court-circuiter le circuit du matériel.**

Couper toute alimentation électrique avant de procéder à l'installation.  
Les servomoteurs comportant des interrupteurs auxiliaires peuvent avoir plus d'un dispositif de coupure.



## CAUTION

**Risque de dommage matériel. Peut endommager le servomoteur au point de le rendre inutilisable. Ne jamais faire tourner l'arbre du servomoteur à la main ou à l'aide d'une clé.**

Faire tourner de force l'arbre du servomoteur endommage le train d'engrenages et les interrupteurs de fin de course.

### IMPORTANT

*Il faut toujours effectuer une vérification complète une fois l'installation terminée.*

## Emplacement

Choisir un emplacement offrant suffisamment d'espace de dégagement pour l'installation des accessoires et pour l'entretien du servomoteur (voir la Fig. 2). Si le servomoteur doit être installé à l'extérieur, utiliser des raccords de conduit étanches aux liquides avec la boîte de jonction pour assurer une protection anti-intempéries NEMA 3. Si le servomoteur doit être installé à l'extérieur autrement qu'à la verticale, installer une trousse d'étanchéisation 4074ERU et des raccords étanches aux liquides pour procurer une protection NEMA 3.



## CAUTION

**Risque de dommage au servomoteur.**

Les vapeurs corrosives et acides peuvent endommager les pièces métalliques.

Installer le servomoteur dans un endroit où on ne retrouve pas de vapeurs acides et autres vapeurs corrosives.

Dans les atmosphères très salines, la plaque de montage et les vis devraient être plaquées au zinc ou au cadmium et non en acier inoxydable ou en laiton. Utiliser le support d'adaptation 220738A pour l'installation dans de telles conditions.

## Montage

Respecter les directives suivantes pour que le servomoteur soit correctement installé :

- Toujours installer le servomoteur de façon à ce que l'arbre de manivelle soit à l'horizontale.
- Les brides de fixation qui font saillie à la base du boîtier du servomoteur sont percées pour recevoir des vis à métal ou des boulons de 6,4 mm (1/4 po).
- Les servomoteurs sans ressort de rappel sont expédiés de l'usine en position fermée (à la limite de la rotation dans le sens antihoraire, vu du côté commande du servomoteur).

## Support d'adaptation

Le support d'adaptation 220738A, placé entre le servomoteur et le matériel, augmente la hauteur de l'arbre du servomoteur de 19 mm (0,75 po) pour qu'elle corresponde à celle des modèles antérieurs de servomoteurs Modutrol.

Le support d'adaptation doit être installé dans les applications suivantes:

- Interrupteur auxiliaire externe Q607
- Les applications d'accouplement de registre exigent un dégagement supplémentaire pour :
  - La rotation du bras de manivelle jusqu'à la position vers le bas.
  - Permettre à l'accouplement de registre d'atteindre l'arbre du servomoteur
- Tous les accouplements de vanne sauf le Q5001

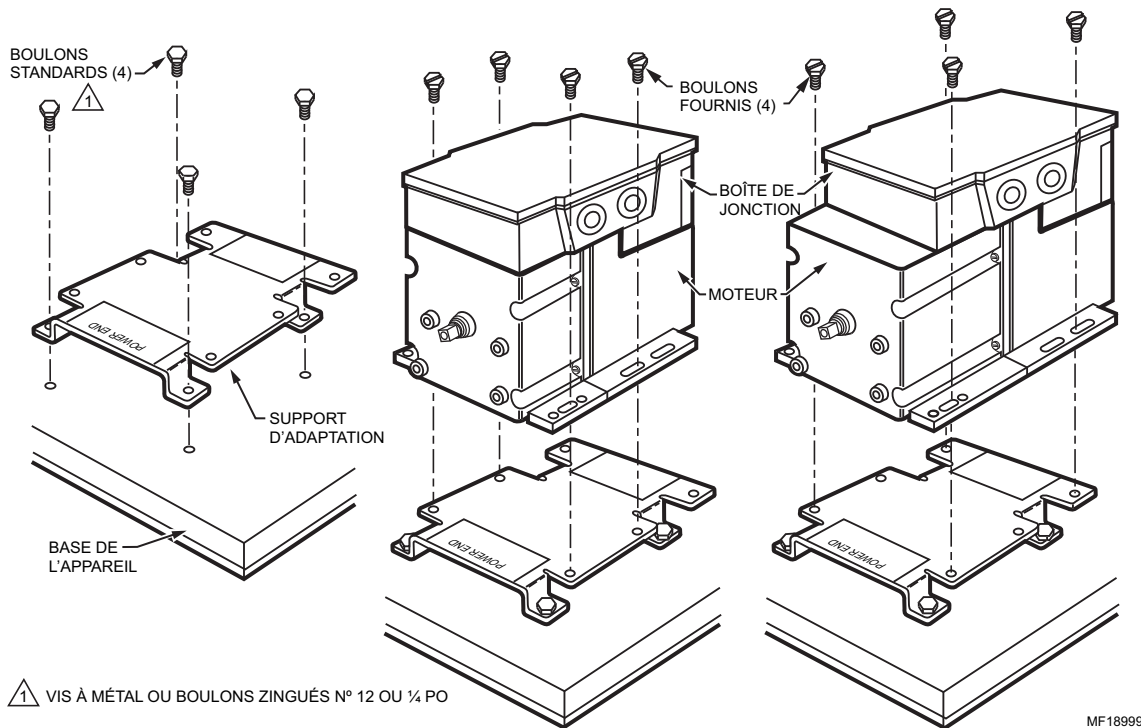
**REMARQUE :** Lorsque le support n'est pas utilisé dans une installation de rechange, il faut ajuster l'accouplement de registre pour qu'il corresponde à la nouvelle position du registre.

Pour installer le servomoteur avec le support :

1. Fixer le support au matériel en utilisant des boulons standards ou ceux qui sont déjà en place.
2. À l'aide des boulons fournis, fixer le servomoteur aux ouvertures filetées du support. Voir la Fig. 3.

Installations avec accouplement de vanne (sauf le Q5001) :

1. Fixer le support sur l'accouplement
2. Placer le servomoteur sur le support et aligner l'arbre avec l'accouplement
3. Fixer le servomoteur au support avec les quatre boulons fournis. Voir la Fig. 4.



**SANS RESSORT DE RAPPEL AVEC RESSORT DE RAPPEL**

**Fig. 17. Installation du servomoteur sur un support d'adaptation.**

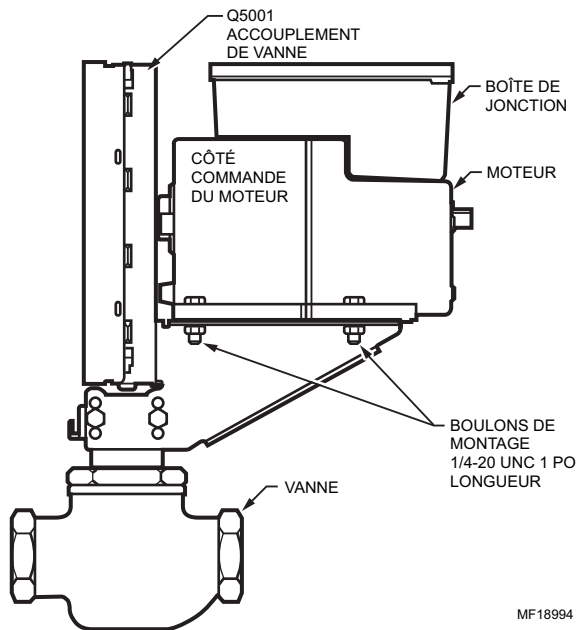
Pour des instructions détaillées sur les accouplements particuliers, consulter les directives d'installations qui accompagnent chaque accouplement.



**CAUTION**

**Risque de dommage matériel. Bloquer un servomoteur peut endommager l'arbre.**

S'assurer que l'installation des servomoteurs et des accouplements permet au servomoteur de parcourir sa course complète sans obstruction.



**Fig. 18. Fixation du servomoteur à un accouplement de vanne Q5001.**

**Accouplement de vannes**

Le support d'adaptation 220738A doit être utilisé avec l'accouplement Q100 dans toutes les applications de vannes. Le support d'adaptation n'est pas nécessaire avec l'accouplement de vanne Q5001 (voir la Fig. 4).

**Boîte de jonction**

Utilisée avec des raccords de conduits étanches aux liquides, la boîte de jonction procure au servomoteur une protection contre les intempéries NEMA 3. La boîte de jonction, pièce fournie avec les servomoteurs de remplacement, comprend des ouvertures défonçables pour faire passer les conduits et des bornes. Il faut utiliser une boîte électrique pour loger un transformateur interne ou des interrupteurs auxiliaires internes.

**Accouplements de registre**

Le servomoteur ne comporte pas d'arbre de manivelle. Il faut commander séparément le bras de manivelle (voir Accessoires dans la section des caractéristiques techniques).

## Raccordement



### CAUTION

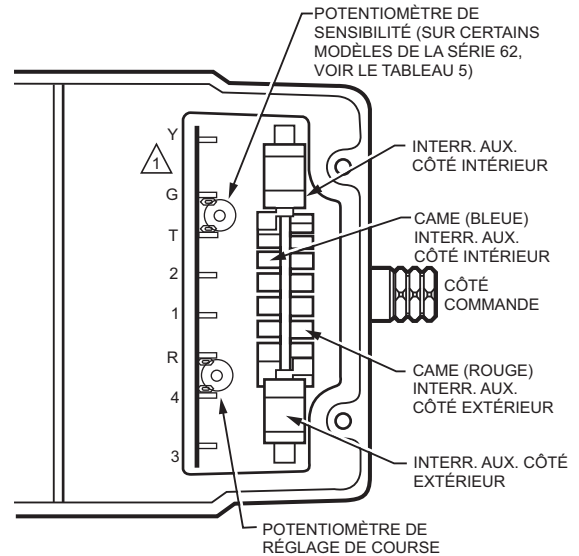
Risque de choc électrique et de dommage matériel. Peut donner un choc électrique ou court-circuiter le circuit du matériel. Couper toute alimentation électrique avant de procéder à l'installation. Les servomoteurs comportant des interrupteurs auxiliaires peuvent avoir plus d'un dispositif de coupure.

### IMPORTANT

Tout le câblage doit être conforme aux codes et règlements locaux.

1. S'assurer que la tension et la fréquence gravées sur le servomoteur correspondent aux caractéristiques de l'alimentation électrique.
2. Lors du raccordement de plusieurs servomoteurs en parallèle, il faut s'assurer que la puissance (VA) de l'alimentation électrique suffit à alimenter tous les servomoteurs utilisés sans provoquer de surcharge.
3. La Fig. 5 montre que les bornes du servomoteur sont à connexion rapide et sont situées sur le dessus de la plaque de circuit imprimé.
4. Pour accéder au compartiment de câblage :
  - a. Retirer les quatre vis du dessus de la boîte de jonction.
  - b. Soulever le couvercle.
5. Voir à la Fig. 6 le schéma de raccordement type et à la Fig. 9, le raccordement des interrupteurs auxiliaires internes.

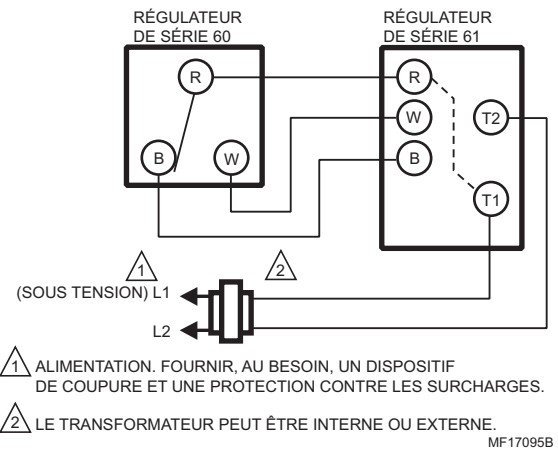
REMARQUE : On peut inverser la rotation du servomoteur en changeant les fils, soit au servomoteur, soit au panneau. On peut inverser la rotation des modèles de série 61 en inversant les fils aux bornes W et B. On peut inverser la rotation des modèles de série 62 en inversant les fils aux bornes 1 et 2 (pour obtenir la rotation qui convient) et en inversant les fils aux bornes Y et G (pour maintenir un signal d'asservissement qui correspond à la rotation de l'arbre).



1 LES DÉSIGNATIONS DES BORNES ILLUSTRÉES SONT CELLES DES MODÈLES DE SÉRIE 62.

REMARQUE : TOUTES LES CARACTÉRISTIQUES NE FONT PAS PARTIE DE TOUS LES MODÈLES. MF13600C

Fig. 19. Bornes et réglages.



1 ALIMENTATION. FOURNIR, AU BESOIN, UN DISPOSITIF DE COUPURE ET UNE PROTECTION CONTRE LES SURCHARGES.

2 LE TRANSFORMATEUR PEUT ÊTRE INTERNE OU EXTERNE. MF17095B

Fig. 20. Raccordement d'un servomoteur de série 61.

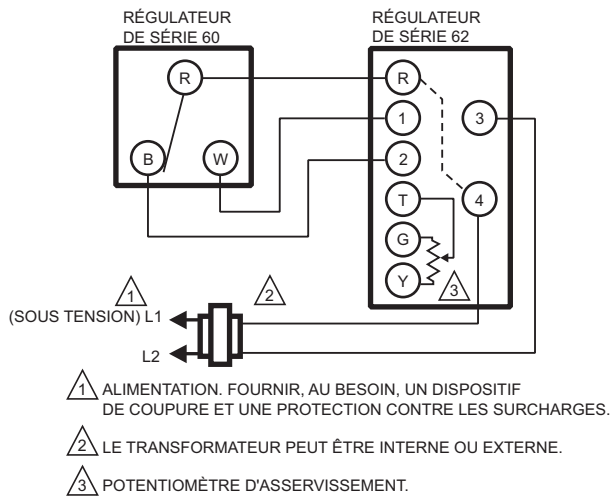


Fig. 21. Raccordement d'un servomoteur de série 6.

## CAUTION

S'assurer que L1 (sous tension) du transformateur correspond à 4 (sous tension) du moteur et que le L2 correspond à 3 (mise à la terre) du moteur.

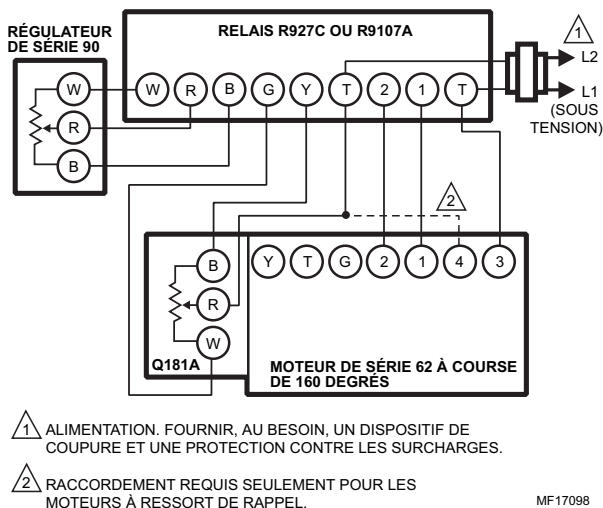


Fig. 22. Raccordement à un relais R927C ou R9107A

SCHÉMA DE CÂBLAGE  
- APPLICATION EN PARALLÈLE DU M62XX SÉRIE ET SÉRIE 2

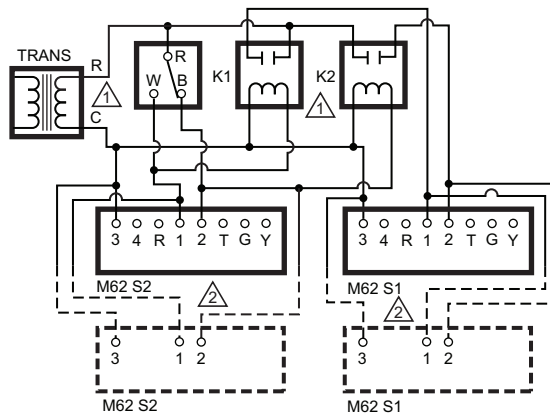


Fig. 23. Schéma de raccordement de l'interrupteur auxiliaire

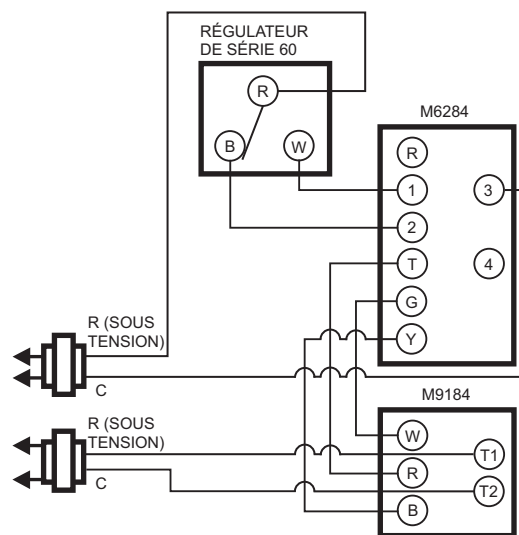


Fig. 24. Application d'asservissement des servomoteurs de série 60 et de série 90

Les moteurs de cette application doivent tous être symétriques ou asymétriques. Le moteur M62 doit être de modèle "-S" à asservissement, comme l'indique le Table 2. Pour obtenir la réaction correcte, l'appareil de série 62 doit être muni de la bonne résistance shunt, comme l'indique le Table 2. Les réglages du potentiomètre du moteur sont indiqués dans le tableau de configuration (Table 18) ci-dessous. Lorsque plus d'un moteur série 90 est asservi, utiliser la bonne table de résistance, comme l'indique le tableau de configuration, et installer deux résistances dans UN des moteurs (Table 19 et 10). S'il s'agit du moteur maître M62, raccorder une résistance des bornes T à G et l'autre des bornes T à Y. S'il s'agit d'un des M90 asservis, raccorder une résistance des bornes R à B et l'autre des bornes R à W.

REMARQUE : L'asservissement de plus de six moteurs est déconseillé.

Tableau 17. Table de configuration

Symétrique ou asymétrique	Course principale	Course asservie	Pot. principal course	Pot. principal sensibilité	Pot. asservi course	Pot. asservi sensibilité	Table de résistance	
Symétrique	160	160	Horaire	Horaire	Horaire	Horaire	1	
Symétrique	90	90	Anti-horaire	Anti-horaire	Anti-horaire	Anti-horaire	2	
Symétrique	160	90	Anti-horaire	Horaire	Anti-horaire	Anti-horaire	1	
Symétrique	90	160	Configuration non recommandée					
Asymétrique	160	160	Horaire	Horaire	Horaire	Horaire	1	
Asymétrique	90	90	Anti-horaire	Horaire	Horaire	Horaire	1	
Asymétrique	160	90	Configuration non recommandée					
Asymétrique	90	160	Configuration non recommandée					

Tableau 18. Table de résistance 1

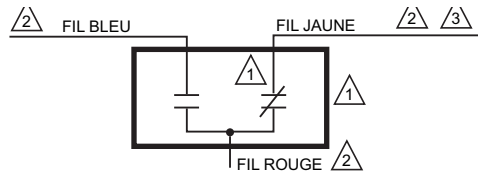
Nombre d'asservissements en parallèle	Valeur de la résistance
1	AUCUNE
2	3500 ohms
3	2000 ohms
4	1300 ohms
5	1000 ohms
6	800 ohms

Tableau 19. Table de résistance 2

Nombre d'asservissements en parallèle	Valeur de la résistance
1	AUCUNE
2	5000 ohms
3	2400 ohms
4	1700 ohms
5	1400 ohms
6	1200 ohms

REMARQUE : Les vibrations n'ont aucun effet sur le fonctionnement des servomoteurs Modutrol IV (comme c'était le cas pour les servomoteurs Modutrol antérieurs). Lors du remplacement d'un servomoteur qui était raccordé à un relais R927C ou R9107A, Honeywell recommande

de modifier l'installation et de retirer le relais et l'ancien servomoteur. Les deux doivent alors être remplacés par un servomoteur Modutrol IV de série 90 (c'est-à-dire qu'il ne faut pas remplacer le relais).



- 1 UTILISER DU FIL DE CLASSE 1 NEC À MOINS QUE L'ALIMENTATION ÉLECTRIQUE RESPECTE LES EXIGENCES DE LA CLASSE 2. ENRUBANNER LES FILS INUTILISÉS. S'ASSURER QUE L'APPEL DE COURANT DU CIRCUIT EXTERNE EST INFÉRIEUR AUX CARACTÉRISTIQUES NOMINALES DE L'INTERRUPTEUR.
- 2 DANS LES MOTEURS À DEUX INTERRUPTEURS, LE DEUXIÈME INTERRUPTEUR A DES FILS NOIRS AVEC DES REPÈRES BLEU, JAUNE ET ROUGE.
- 3 CERTAINS MODÈLES COMPRENNENT SEULEMENT DES FILS JAUNE ET ROUGE. CERTAINS MODÈLES N'ONT PAS DE FIL JAUNE.

Fig. 25. Schéma de raccordement de l'interrupteur auxiliaire

## RÉGLAGES ET AJUSTEMENTS

### Avant de régler la course

1. Retirer le couvercle du dessus du servomoteur.
2. Débrancher le régulateur du servomoteur.
3. Pour les modèles à transformateur interne (moteurs à tension secteur), s'assurer que l'alimentation (et rien d'autre) reste raccordée au servomoteur.

#### IMPORTANT

Détacher l'accouplement du servomoteur avant de régler la course.

### Course réglable

#### Course réglable des servomoteurs de série 61

Le potentiomètre de course est situé à l'extrême gauche du servomoteur (vu du côté de l'arbre de commande). Pour régler la course à 160° (position maximale), tourner le potentiomètre jusqu'au bout dans le sens horaire ↻, à l'aide d'un tournevis à lame de 3 mm (1/8 po). Pour régler la course à 90° (position minimale), tourner le potentiomètre jusqu'au bout dans le sens antihoraire ↺. Tourner le potentiomètre à une position entre l'extrémité maximale du sens horaire et l'extrémité maximale du sens antihoraire permet de régler la course à une position entre 160° and 90°.

#### Course réglable des servomoteurs de série 62

Le potentiomètre de course est situé à l'extrême gauche du servomoteur (vu du côté de l'arbre de commande). Le potentiomètre de sensibilité est situé à l'extrême droite. Pour régler la course à 160° (position maximale), tourner les deux potentiomètres jusqu'au bout dans le sens horaire ↻, à l'aide d'un tournevis à lame de 3 mm (1/8 po). Pour régler la course à 90° (position minimale), tourner les deux potentiomètres jusqu'au bout dans le sens antihoraire ↺. Tourner le potentiomètre à une position entre l'extrémité

maximale du sens horaire et l'extrémité maximale du sens antihoraire permet de régler la course à une position entre 160° and 90°.

#### CAUTION

A manipuler avec précautions.

L'usage excessif de la force lors de l'ajustement des cames peut endommager le servomoteur. Pour éviter d'endommager le servomoteur, régler les cames en faisant tourner le tournevis par le haut seulement.

#### CAUTION

Risque de dommage matériel.

Peut endommager le servomoteur au point de le rendre inutilisable.

Ne jamais faire tourner l'arbre du servomoteur à la main ou à l'aide d'une clé. Faire tourner de force l'arbre du servomoteur endommage le train d'engrenages et les interrupteurs de fin de course.

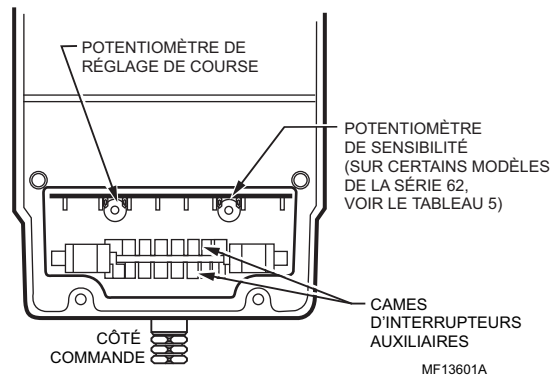


Fig. 26. Réglage de la course des modèles sans ressort de rappel.

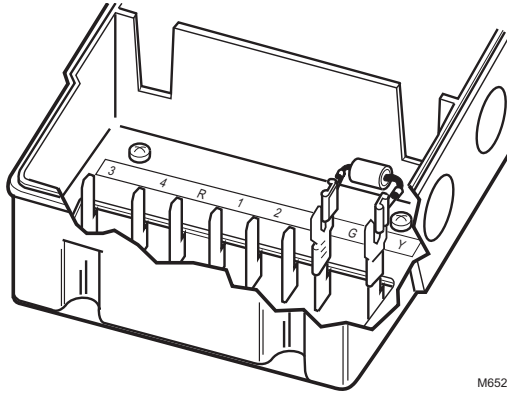
### Configuration du potentiomètre d'asservissement (Servomoteurs TRADELINE® de série 62 seulement)

Sélectionner et installer une résistance de shunt pour obtenir les caractéristiques d'asservissement nécessaires à l'application. Voir la section des caractéristiques techniques pour connaître la résistance de rétroaction sans résistance de shunt.

REMARQUE : En raison des organes de protection du circuit, la résistance ne peut pas être directement lue, et utiliser un réducteur de tension pour lire la position du moteur.

- La rétroaction linéaire procure l'indication linéaire de la position de l'arbre sans résistance de shunt.
- L'asservissement d'un servomoteur de série 90 requiert une résistance de rétroaction de la course complète de 142 ohms. Sélectionner et fixer la résistance de shunt qui convient entre les bornes Y et G (voir le Tableau 2 et la Fig. 13).





**Fig. 27. Comment fixer une résistance de shunt aux servomoteurs TRADELINE.**

## Interrupteurs auxiliaires

Les interrupteurs auxiliaires sont actionnés par des cames réglables. Celles-ci peuvent être réglées de façon à actionner les interrupteurs à n'importe quel angle de la course du servomoteur. Le différentiel de commutation peut être réglé à 1° ou à 10°.

Les servomoteurs qui comportent des interrupteurs auxiliaires ajoutés en usine sont expédiés en position fermée (complètement dans le sens antihoraire, vu du côté commande). La position par défaut de la came auxiliaire actionne les interrupteurs à 30° de la position d'ouverture complète avec un différentiel de 1°. Lorsque le servomoteur est en position de fermeture (complètement dans le sens antihoraire), le contact R-B de l'interrupteur auxiliaire s'ouvre. Voir la Fig. 11 (ou les directives d'installation de l'interrupteur auxiliaire) pour savoir comment raccorder l'interrupteur auxiliaire.

**REMARQUE :** Les servomoteurs de la série 2 sont expédiés avec des cames d'interrupteurs auxiliaires qui peuvent être installées avec les trousseaux d'interrupteurs auxiliaires internes 220736A et B. Voir la publication 63-2228 pour obtenir les directives d'installation des 220736A et B.

## Réglage des interrupteurs auxiliaires

### IMPORTANT

*Avant d'ajuster les cames d'interrupteurs auxiliaires, procéder comme suit :*

1. Insérer la lame d'un tournevis de 3 mm (1/8 po) dans une fente de la came et faire tourner le dessus du tournevis le plus loin possible dans le sens requis. Voir la Fig. 14.
2. Répéter l'étape 1 pour chacune des fentes successives jusqu'à ce que la came atteigne la position voulue.

Suivre les étapes ci-dessous pour obtenir le réglage voulu pour les interrupteurs auxiliaires :

1. Retirer le couvercle du dessus du servomoteur pour accéder aux bornes du servomoteur et aux cames des interrupteurs auxiliaires.
2. Débrancher le régulateur du servomoteur.

3. Amener le servomoteur à la position où l'équipement auxiliaire doit être commandé, comme suit :
  - a. Pour les modèles sans ressort de rappel et sans transformateur, raccorder le courant 24 V c.a. aux bornes 2 et 3 pour amener le servomoteur à la position d'ouverture (dans le sens horaire, vu du côté commande), ou aux bornes 1 et 3 pour amener le servomoteur à la position de fermeture (dans le sens antihoraire).
  - b. Pour les servomoteurs sans ressort de rappel avec transformateur, installer un cavalier entre les bornes R et 2 pour amener le servomoteur à la position d'ouverture (dans le sens horaire, vu du côté commande), ou entre les bornes R et 1 pour amener le servomoteur à la position de fermeture (dans le sens antihoraire).
  - c. Pour les modèles à ressort de rappel, installer un cavalier entre les bornes 2 et 4 pour amener le servomoteur à la position d'ouverture, ou entre les bornes 1 et 4 pour amener le servomoteur à la position de fermeture.
4. Lorsque le servomoteur atteint la position adéquate, retirer le cavalier.
5. Pour obtenir un différentiel de commutation de 1°, vérifier la continuité des contacts R-B de l'interrupteur auxiliaire et faire tourner la came comme suit :
  - a. Si les contacts sont ouverts, faire tourner la came dans le sens horaire jusqu'à ce que les contacts R-B se referment.
  - b. Si les contacts sont fermés, faire tourner la came dans le sens antihoraire jusqu'à ce que les contacts R-B s'ouvrent.
6. Pour obtenir un différentiel de commutation de 10° :
  - a. Pour les modèles à ressort de rappel, faire tourner la came d'environ 180° pour que la section à action lente de la came actionne l'interrupteur. Vérifier ensuite la continuité des contacts R-B de l'interrupteur.
  - b. Pour les modèles sans ressort de rappel, vérifier la continuité des contacts R-B de l'interrupteur.
7. Faire tourner la came comme suit :
  - a. Si les contacts sont ouverts, faire tourner la came dans le sens antihoraire jusqu'à ce que les contacts R-B se referment.
  - b. Si les contacts sont fermés, faire tourner la came dans le sens horaire jusqu'à ce que les contacts R-B s'ouvrent.
8. Vérifier si le différentiel et la commutation de l'équipement auxiliaire conviennent en amenant le servomoteur à parcourir sa course complète dans les deux sens.
9. Débrancher le cavalier, rebrancher le régulateur et remettre en place le couvercle sur le dessus du servomoteur.

**REMARQUE :** Le fait de modifier le différentiel de 1° à 10° inverse l'action de commutation. Par exemple, avec un différentiel de 10°, les contacts R-B de l'interrupteur se referment et les contacts R-W s'ouvrent dans le sens de rotation antihoraire (fermeture). Avec un différentiel de 1°, les contacts R-W de l'interrupteur se referment et les contacts R-B s'ouvrent lors d'une rotation dans le sens antihoraire (fermeture).

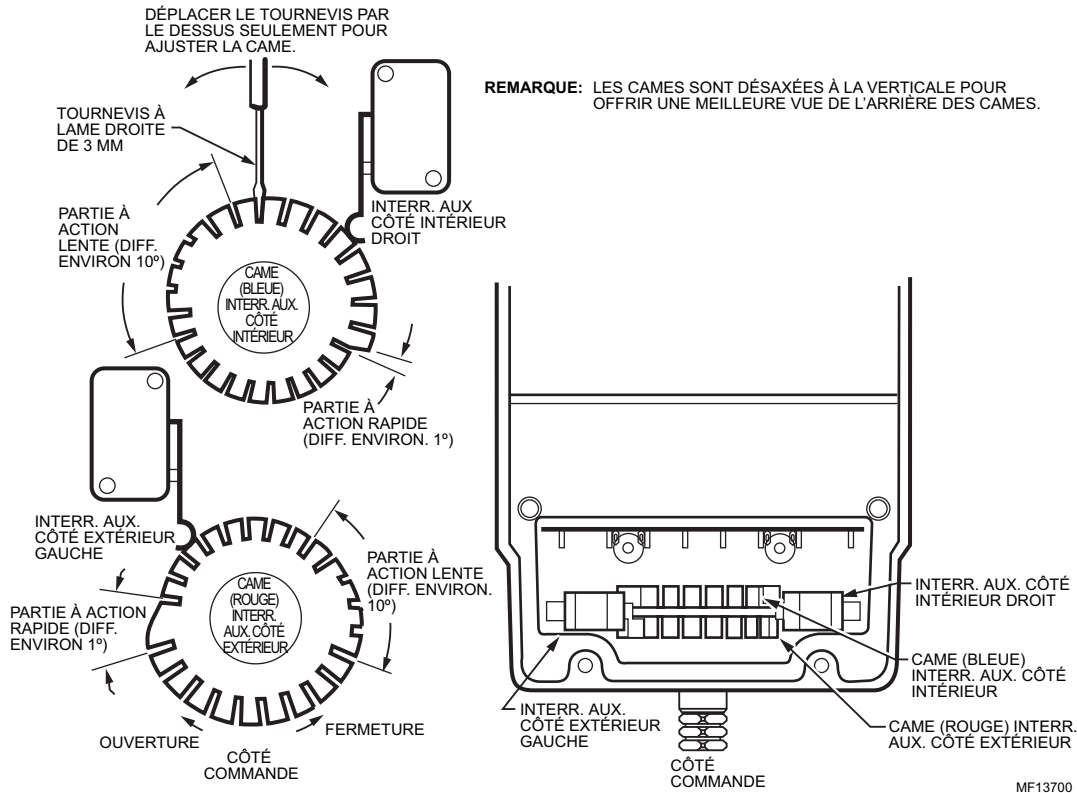


Fig. 28. Réglage de l'interrupteur auxiliaire.

## FONCTIONNEMENT

Utiliser les servomoteurs Modutrol IV de séries 61 et 62 pour le fonctionnement standard d'appareils de série 60 (ouverture, maintien, fermeture). Les servomoteurs de série 62 peuvent aussi être utilisés avec un potentiomètre d'asservissement en tant que signal d'entrée d'un régulateur.

Voir le Tableau 11 pour obtenir les détails de la réaction du servomoteur aux signaux du régulateur.

REMARQUE : Inverser les fils soit au servomoteur, soit au régulateur.

Pour inverser le sens de rotation d'un servomoteur sans ressort de rappel:

- Inverser les fils aux bornes W et B.

Tableau 20. Fonctionnement du servomoteur Modutrol IV.

Type de servomoteur	Bornes		Action résultante
	Série 61	Série 62	
Sans ou avec ressort de rappel	R-W	R-1	antihoraire (fermé)
	R-B	R-2	horaire (ouvert)
Sans ou avec ressort de rappel	R-rien	R-rien	arrête l'entraînement
Sans ressort de rappel	Panne de courant	Panne de courant	s'arrête (aucune)
Avec ressort de rappel	Uniquement en panne de courant	Uniquement en panne de courant	ressort de rappel (fermé)

## VÉRIFICATION

Une fois l'installation et l'ajustement des accouplements terminés, vérifier toute l'installation du servomoteur et du régulateur. Pour faire une vérification complète :

- Vérifier si le servomoteur fait fonctionner la charge (registre ou vanne) correctement.
- Vérifier si le servomoteur réagit correctement aux variations du signal d'entrée. Voir le Tableau 11.
- S'il est utilisé, vérifier si l'interrupteur auxiliaire entre en service à l'endroit désiré de la course du servomoteur.

1. Inspecter le servomoteur, l'accouplement et la vanne ou le registre pour s'assurer que toutes les connexions mécaniques sont bonnes et bien fixées.

REMARQUE : Dans les installations de registres, la tige-poussoir ne devrait pas dépasser les joints à rotule de plus de quelques cm (po).

2. S'assurer que l'accouplement dispose de suffisamment d'espace sur la totalité de la course du servomoteur sans plier ou frapper d'autres objets.
3. Faire parcourir au servomoteur une course d'ouverture complète et une course de fermeture complète. Voir le Tableau 11.

REMARQUE : Consulter les directives du régulateur ou du système pour connaître les autres étapes de vérification.

### Vérification du modèle M62

La procédure suivante permet de vérifier que le potentiomètre de retour externe M62 fonctionne pour un modèle -F ou -S.

- Brancher 24 V c.a. aux bornes 3 et 4.
  - Brancher 5-10 V c.c. aux bornes Y et G (connecter + à Y et - à G).
  - Brancher un voltmètre ou un oscilloscope aux bornes T et G (brancher + à T et - à G).
  - Brancher la borne R à la borne 1 pour entraîner le moteur vers la position complètement fermée.
  - Brancher la borne R à la borne 2 pour entraîner le moteur vers la position complètement ouverte.
  - Avec un voltmètre ou un oscilloscope, s'assurer que la tension c.c. augmente de façon linéaire sur toute sa plage.
  - La plage de tension de sortie pour un moteur asymétrique de 90 degrés est de 5-55 % de la tension d'entrée de la position fermée à ouverte.
  - La plage de tension de sortie pour un moteur symétrique de 90 degrés est de 25-75 % de la tension d'entrée de la position fermée à ouverte.
  - La plage de tension de sortie pour un moteur de 160 degrés est de 5-95 % de la tension d'entrée de la position fermée à ouverte.
4. Pour les moteurs à ressort de rappel, s'assurer que la vanne ou le registre revient à sa position normale lors de la coupure de courant.
  5. Ajuster le régulateur aux réglages voulus avant de terminer la vérification.

## REMPACEMENT

### Registre

1. Couper l'alimentation et retirer les fils de l'ancien servomoteur.
2. Enlever le bras de manivelle de l'arbre de l'ancien servomoteur. Enlever l'ancien servomoteur
3. Vérifier si l'utilisation d'un support de montage est nécessaire. Si l'accouplement peut atteindre la position de l'arbre du nouveau servomoteur et que le bras de manivelle a suffisamment d'espace pour assurer la rotation nécessaire, il n'est pas nécessaire d'installer un support. Utiliser le support d'adaptation 220738A ou le bras de manivelle 221455A si le bras de manivelle doit tourner dans le plan inférieur du servomoteur.
  - a. S'il n'est pas nécessaire d'installer un support, fixer le nouveau servomoteur directement sur l'équipement en suivant les directives des sections Installation, Réglages et ajustements, Fonctionnement et Vérification.
  - b. S'il faut un support, consulter la section Support d'adaptation, la Fig. 3 ainsi que les sections Installation, Réglages et ajustements, Fonctionnement et Vérification.
4. Se servir de boulons ou de vis à métal n° 12 ou de ¼ po pour installer le nouveau servomoteur.
5. Fixer le nouveau bras de manivelle du registre et l'accouplement à l'arbre du servomoteur.
6. Suivre les indications de la section Vérification pour vérifier l'ajustement du bras de manivelle et de l'accouplement.

### Vanne

Lors du remplacement du servomoteur dans une installation de vanne, le type d'accouplement détermine s'il faut installer un support d'adaptation 220738A. Avec les accouplements Q100, Q601 ou Q618, il faut utiliser le support 220738A pour surélever l'arbre du servomoteur à la hauteur désirée. Les vannes à accouplement Q5001 n'ont pas besoin du support d'adaptation 220738A. Pour faire fonctionner une vanne à deux voies V5011 ou une vanne à trois voies V5013 de Honeywell sur toute sa course, utiliser un servomoteur à course de 160°.

By using this Honeywell literature, you agree that Honeywell will have no liability for any damages arising out of your use or modification to, the literature. You will defend and indemnify Honeywell, its affiliates and subsidiaries, from and against any liability, cost, or damages, including attorneys' fees, arising out of, or resulting from, any modification to the literature by you.

**Solutions de régulation et d'automatisation**

Honeywell International Inc.

1985 Douglas Drive North

Golden Valley, MN 55422

[customer.honeywell.com](http://customer.honeywell.com)

© Marque de commerce déposée aux États-Unis  
© 2011 Honeywell International Inc.  
Tous droits réservés  
63-2629EF—01 M.S. 10-11  
Imprimé aux États-Unis

**Honeywell**