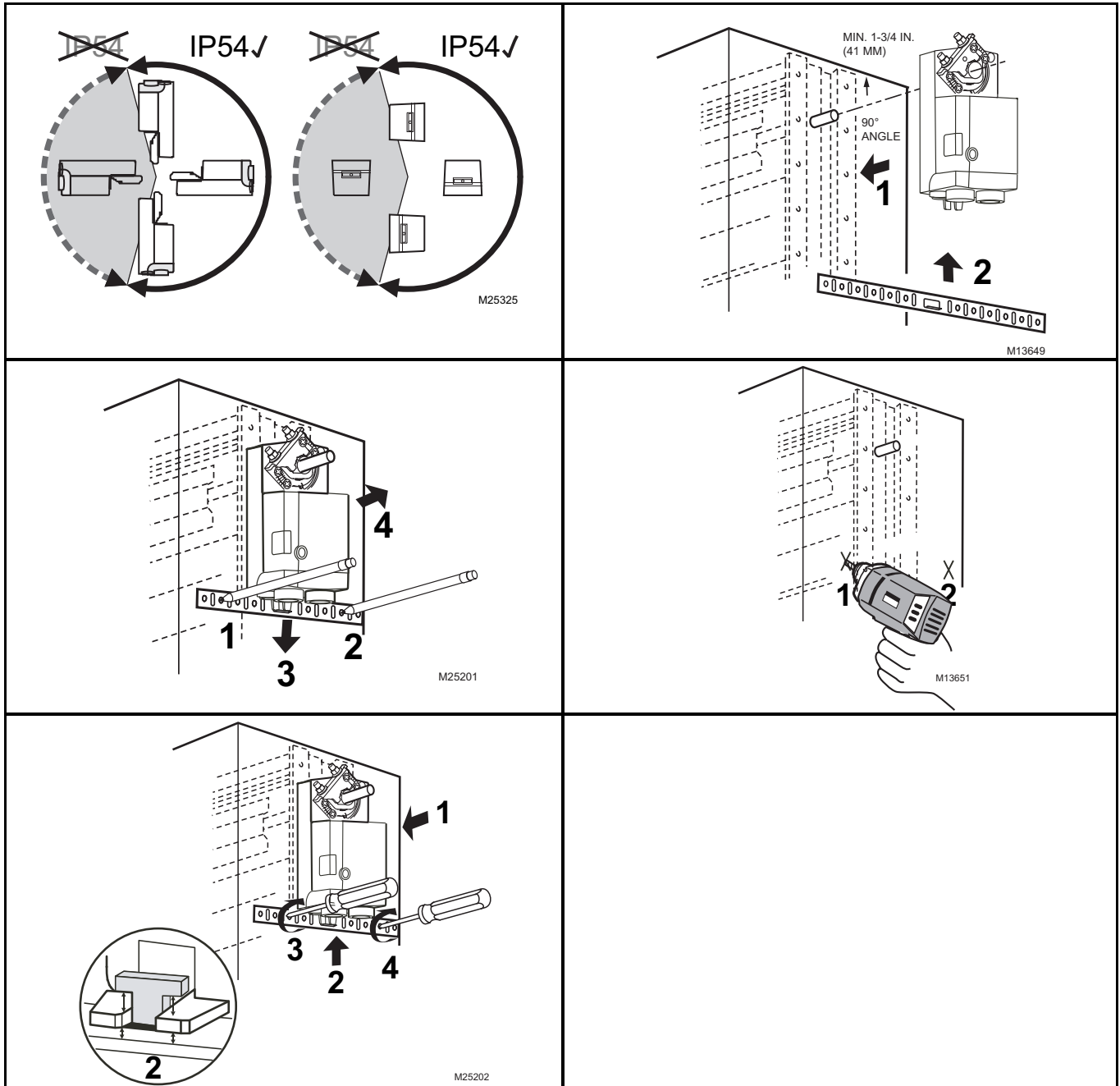


# Non-Spring Return Direct Coupled Actuators (DCA)

MN6105, MN6110, MN7505, MN7510

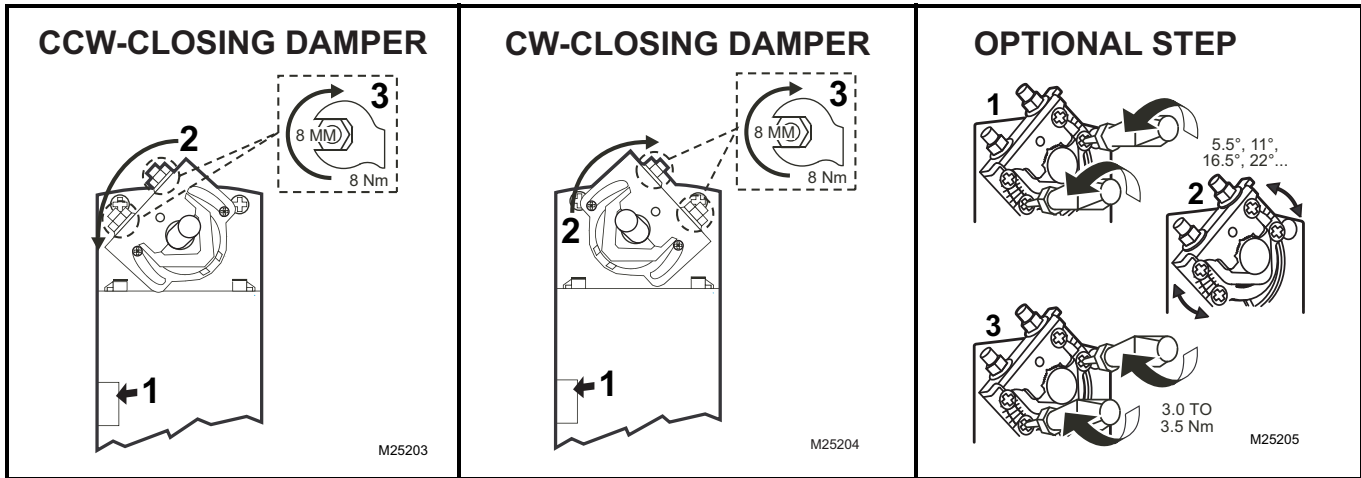
## INSTALLATION INSTRUCTIONS

### DISCONNECT POWER BEFORE INSTALLATION

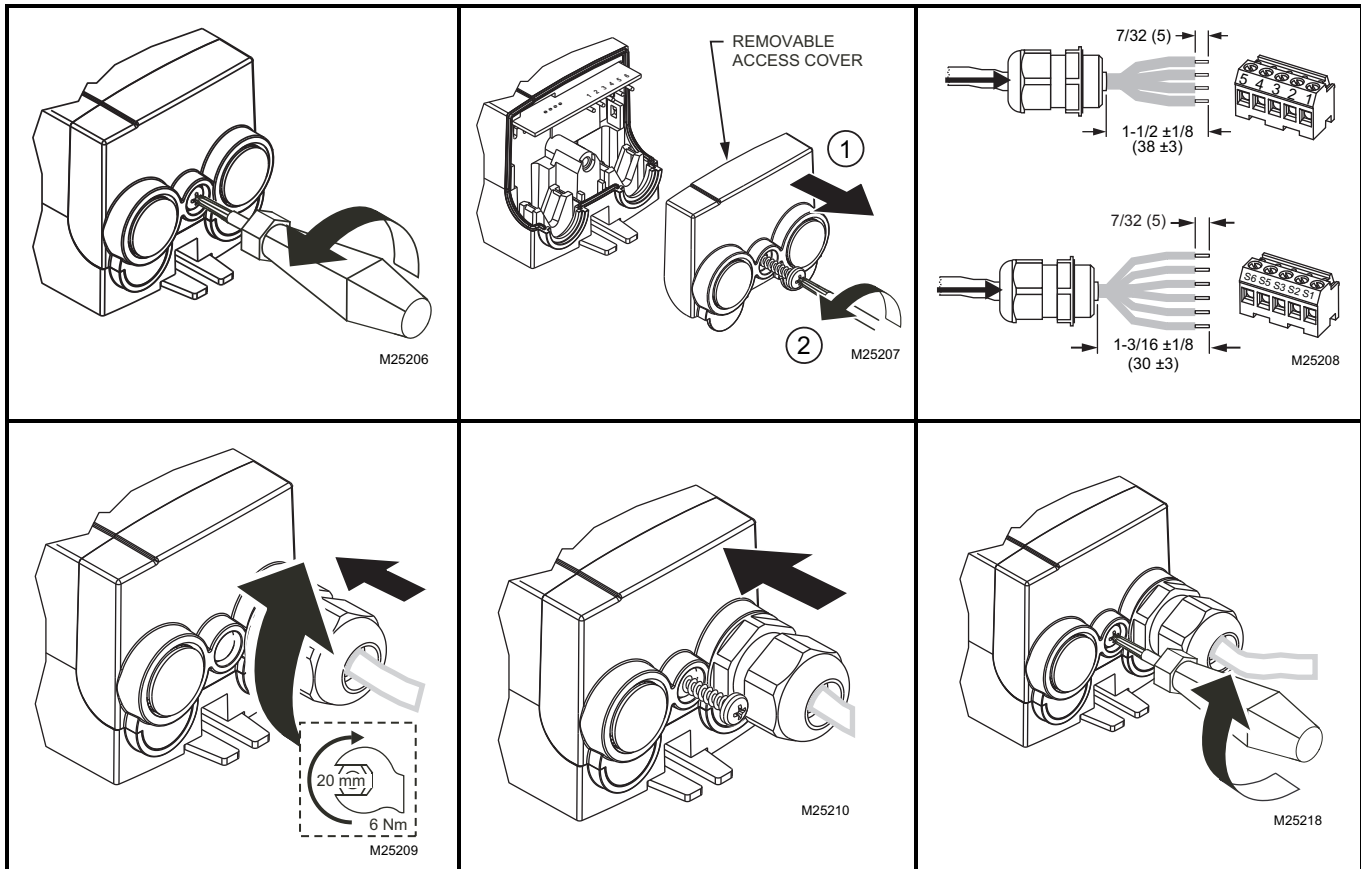


# MOUNTING

On counterclockwise (CCW) or clockwise (CW) closing damper.

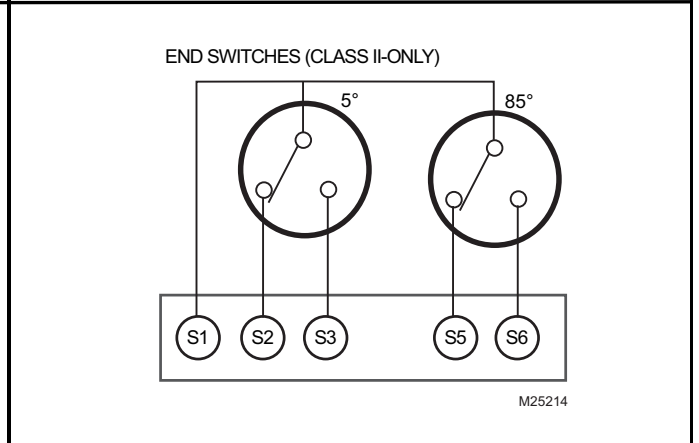
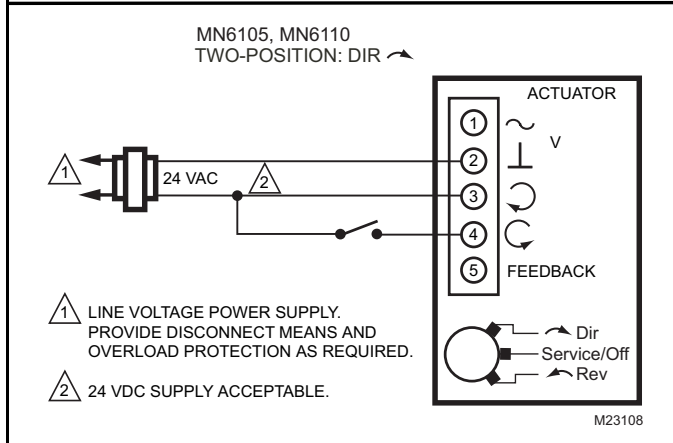
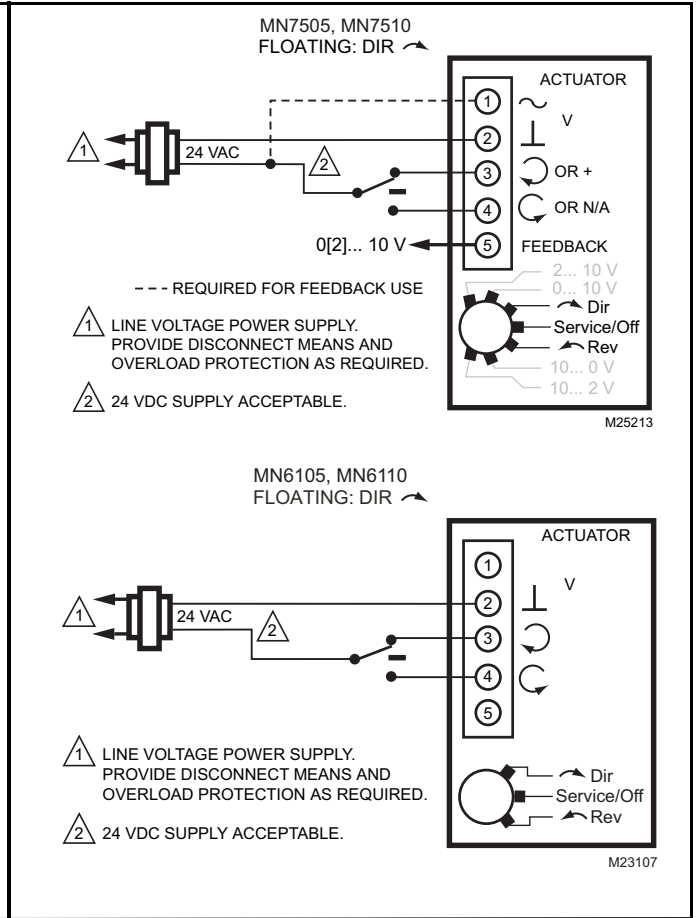
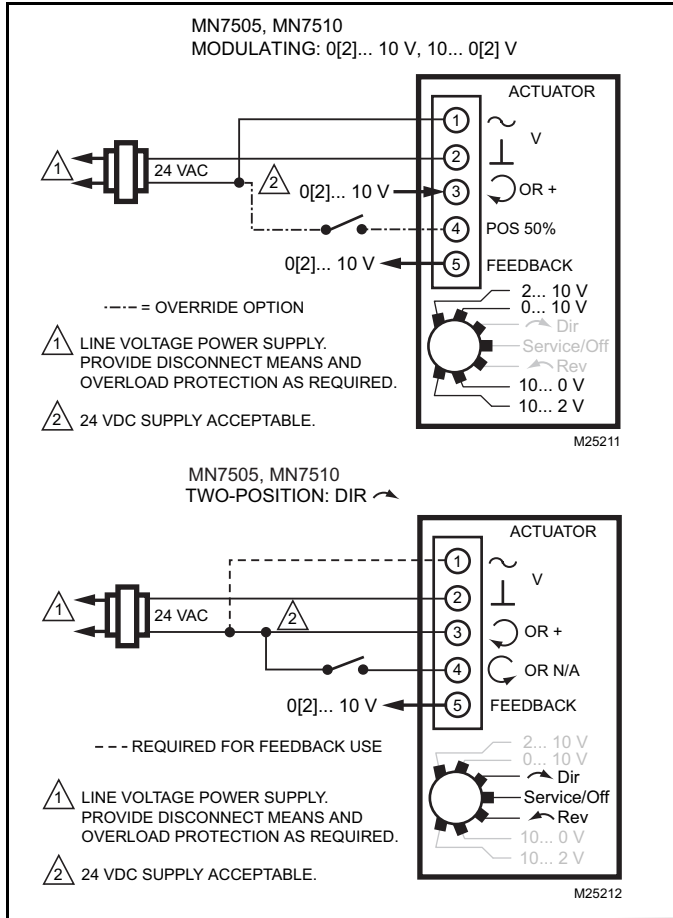


## For models without cables



# WIRING

## Typical Wiring Without Cables



## Typical Wiring With Cables

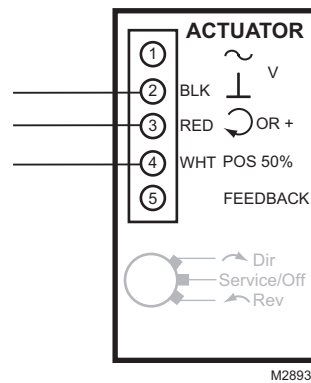
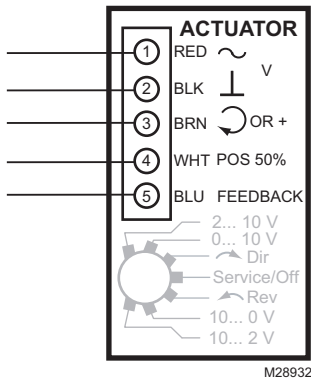
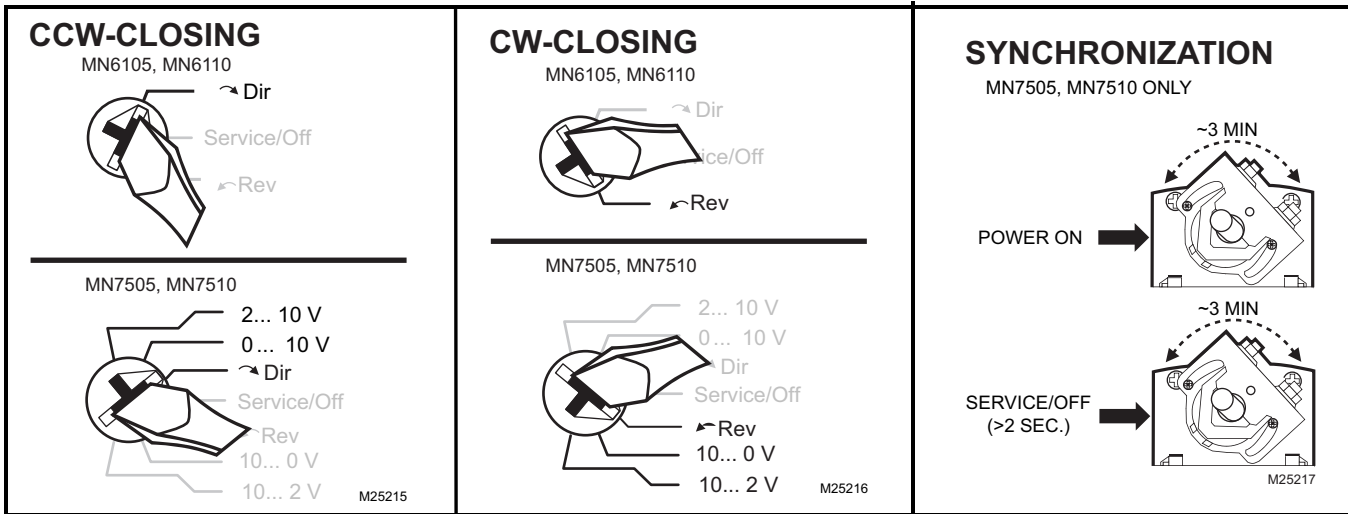


Fig. 1. MN7505W2001 Floating Modulating Two Position.

Fig. 2. MN6105W1011 Two Position Floating.

## ADJUSTING

For Counterclockwise (CCW) or Clockwise (CW) Closing Damper/Synchronization



### Automation and Control Solutions

Honeywell International Inc.  
1985 Douglas Drive North  
Golden Valley, MN 55422

Honeywell Limited-Honeywell Limitée  
35 Dynamic Drive  
Toronto, Ontario M1V 4Z9  
customer.honeywell.com

# Honeywell