

205840A Tandem Mounting Kit for Direct Coupled Rotary Actuators

INSTALLATION INSTRUCTIONS

APPLICATION

This document provides installation instructions for the 205840A Tandem Mounting Kit for mounting two direct coupled rotary actuators on the same shaft.

INSTALLATION

Equipment Needed

- Screwdriver.
- Adjustable wrench.

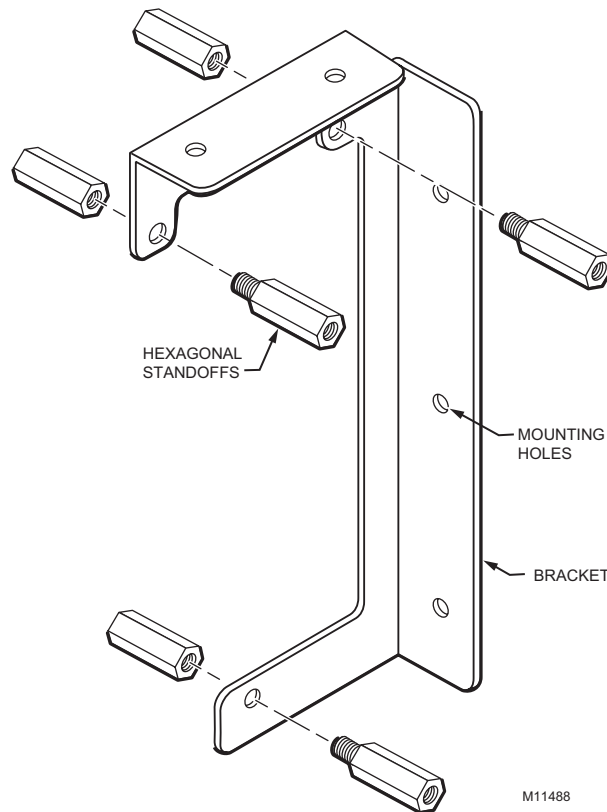


Fig. 1. Attaching standoffs to 205840A Tandem Mounting Kit bracket.

Instructions

1. Attach the six 1/2 in. (13 mm) hexagonal standoffs to the bracket as shown in Fig. 1.
2. Place one actuator on the back of the bracket and attach with three 1/4 in. screws and lockwashers (see Fig. 2).
3. Insert the shaft extension into the output hub of the mounted actuator and secure with the 8 mm output hub set screws.
4. Make sure the shaft fits flush with the front of the output hub. If not, loosen the hub set screws and adjust the shaft to fit properly.



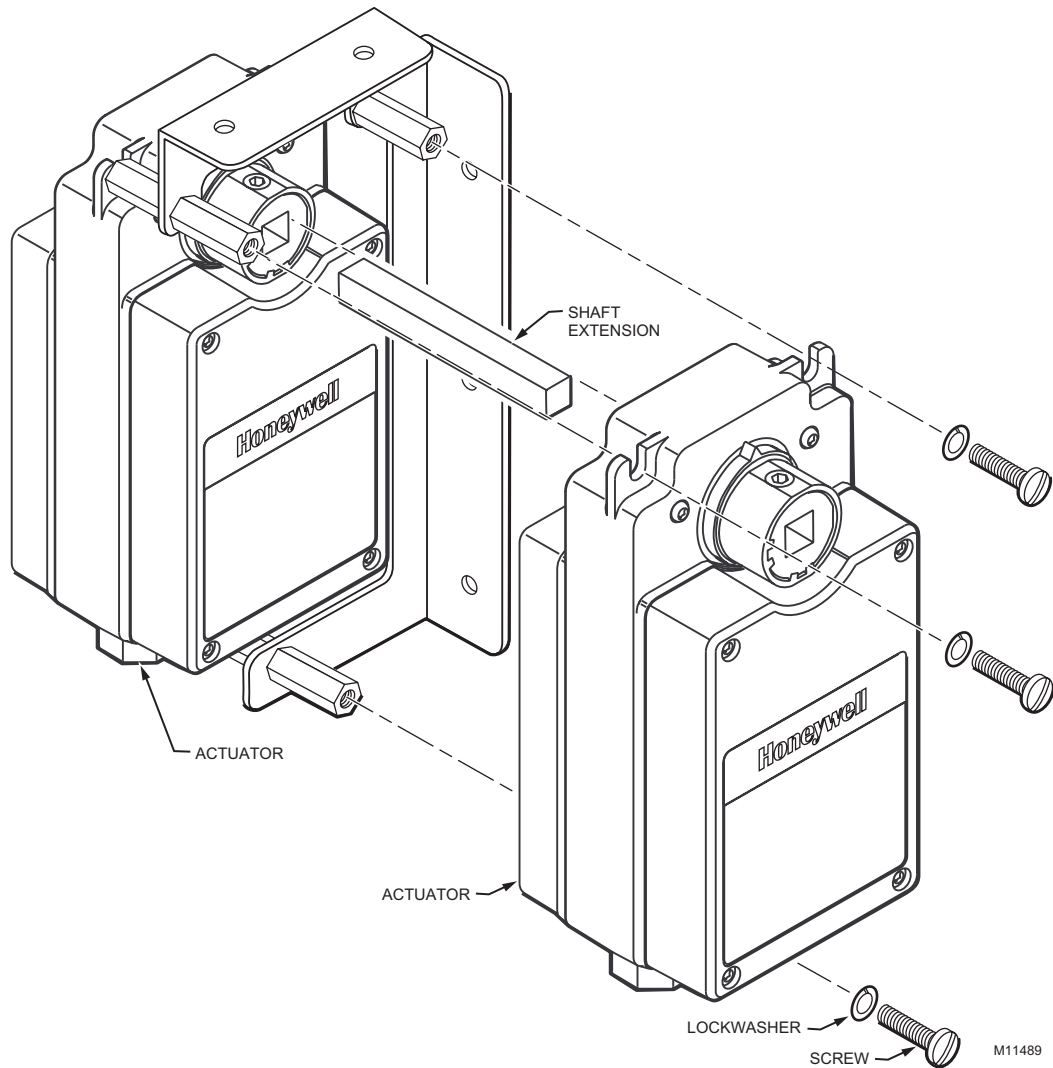


Fig. 2. Attaching actuators and shaft extension to 205840A Tandem Mounting Kit Bracket.

5. Using two screws and any two of the five mounting holes, mount the bracket to the mounting surface.
6. Place the second actuator on the open ends of the front standoffs by sliding the output hub over the shaft extension.
7. Fasten the second actuator to the bracket using three 1/4 in. screws and lockwashers.
8. Secure the second actuator output hub to the shaft extension by tightening the 8 mm set screws.
9. Tighten all screws as needed.
10. Perform the wiring and operating procedures for the actuator as listed in the actuator instructions.

Honeywell

Automation and Control Solutions

Honeywell International Inc. 1985 Douglas Drive North Golden Valley, MN 55422	Honeywell Limited-Honeywell Limitée 35 Dynamic Drive Scarborough, Ontario M1V 4Z9
---	--