



**TB7600, TB7300, TB7200 Series  
Communicating Thermostats**



# TABLE OF CONTENTS

## Product Selection Matrix

TB7200 Series Zoning Thermostat Selection .....	5
TB7300 Series Fan Coil Unit Thermostat Selection .....	6
TB7600 Series RTU and Heatpump Thermostat Selection .....	7

## TB7200 Zone Thermostats

TB7200F5514: Heating only: Analog valve actuator .....	8
TB7200F5514: Cooling only: Analog valve actuator .....	10
TB7200F5514: Heating with reheat: Analog duct heater and electric baseboard .....	12
TB7200C5514: Heating with reheat: One stage duct heater and electric baseboard .....	14
TB7200F5514: Heating with reheat: Analog floor radiant heat and electric baseboard .....	16
TB7200C5514: Heating with reheat: Floating valve actuator, ON/OFF Duct heater .....	18
TB7200F5514: Heating with reheat: Two stages duct heater, electric baseboard .....	20
TB7200F5514: Heating & Cooling with changeover sensor & Reheat: Analog valve actuator, ON/OFF duct heater and water sensor for changeover .....	22
TB7200C5514: Heating & Cooling with changeover sensor & reheat: Floating actuator, ON/OFF duct heater, water sensor for changeover .....	24
TB7200F5514: Heating & Cooling with changeover sensor & reheat: Analog 0-10Vdc air damper actuator, ON/OFF duct heater and supply air sensor for changeover .....	26
TB7200C5514: Heating & Cooling with changeover sensor & reheat: Floating air damper actuator, ON/OFF duct heater and supply air sensor for changeover .....	28
TB7200F5514: Heating and Cooling with reheat: Analog 0-10Vdc air damper actuator, analog duct heater and electric baseboard .....	30

# TABLE OF CONTENTS

## TB7300 Fancoil Thermostats

TB7300F5514: Cooling only: 2-Pipe fancoil unit with single speed fan and an analog cooling valve .....	32
TB7300C5514: Cooling with reheat: 2-Pipe fancoil unit with 3-speed fan, On/Off valve and electric reheat .....	34
TB7300C5514: Cooling only: 2-Pipe fancoil unit with 3-speed fan, On/Off cooling valve and fresh air damper .....	36
TB7300F5514: Cooling & Heating with reheat: 2-Pipe fancoil unit with 3-speed fan, analog valve, and electric reheat .....	38
TB7300F5514: Cooling with reheat: Line voltage 4-Pipe fancoil unit with 3-speed fan, analog cooling valve and On/Off heating valve .....	40
TB7300F5514: Cooling with reheat: 4-Pipe fancoil unit with single speed fan, analog cooling valve, analog heating valve and external time clock .....	42
TB7300C5514: Cooling & Heating with reheat: 2-Pipe fancoil unit with 3-speed fan, tri-state floating valve, and electric reheat .....	44
TB7300A5514: Heating & cooling: Fancoil unit with 2-speed fan, DX cooling and 2-position heating valve .....	46
TB7300C5514: Heating & cooling: 4-Pipe fancoil unit line voltage to low voltage with 3-speed fan and 2-position valves .....	48

## TB7600 RTU & Heat Pump Thermostats

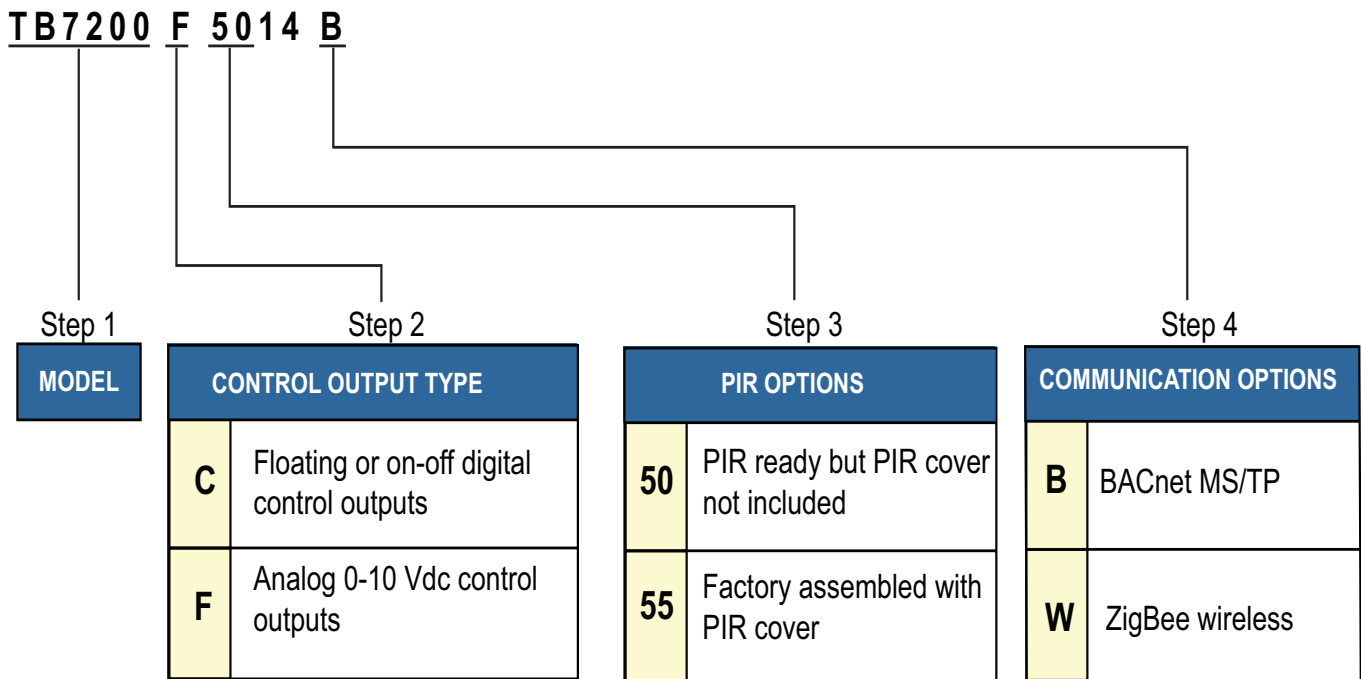
TB7600A5514: 1H application: 1 electric heat coil and single speed fan .....	50
TB7600A5514: 1H & 1C rooftop unit: 1 heating stage and 1 cooling stage .....	52
TB7652A5514: 1H & 1C rooftop unit: 1 heating stage, 1 cooling stage with differential pressure switch for filter alarm .....	54
TB7600B5514: 2H & 2C rooftop unit: 2 heating stages and 2 cooling stages .....	56
TB7652B5514: 2H & 2C rooftop unit: 2 heating stages, 2 cooling stages with differential pressure switch for filter alarm .....	58
TB7656B5514: 2H & 2C rooftop unit with economizer: 2 heating stages, 2 cooling stages, analog 0-10Vdc fresh air damper actuator and sensor averaging .....	60
TB7600H5514: 1H & 1C heatpump: 1 compressor for heat/cool .....	62
TB7652H5514: 3H & 2C heatpump: 2 compressors for heat/cool and electric duct heater .....	64

# TABLE OF CONTENTS

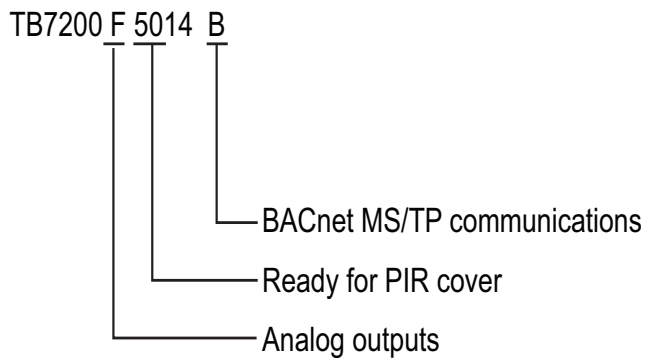
## Appendices

Appendix A:	Passive infrared (PIR) motion detector covers technical specifications.....	66
Appendix B:	Network wiring.....	67
Appendix C:	Thermostats occupancy sequence of operation schematic .....	67
Appendix D:	Control Valve Applications & Selection Criteria .....	68
Appendix E:	Direct Coupled Actuators .....	73
Appendix F:	10K NTC Type II Sensor Selection .....	75
Appendix G:	TB-WALL Sensor Wiring & Dip Switch Settings .....	77

# TB7200 SERIES ZONING THERMOSTAT SELECTION



Example

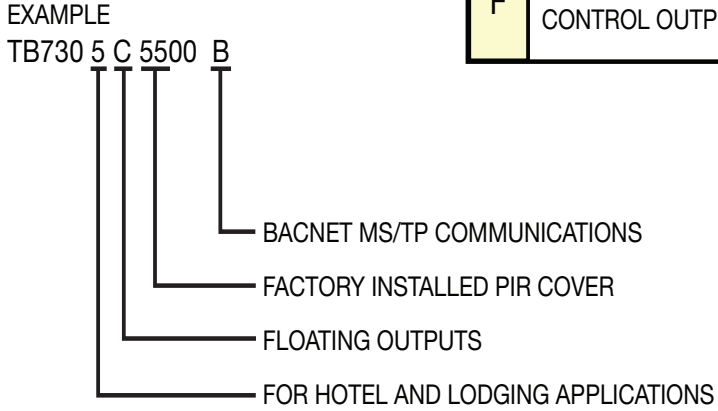
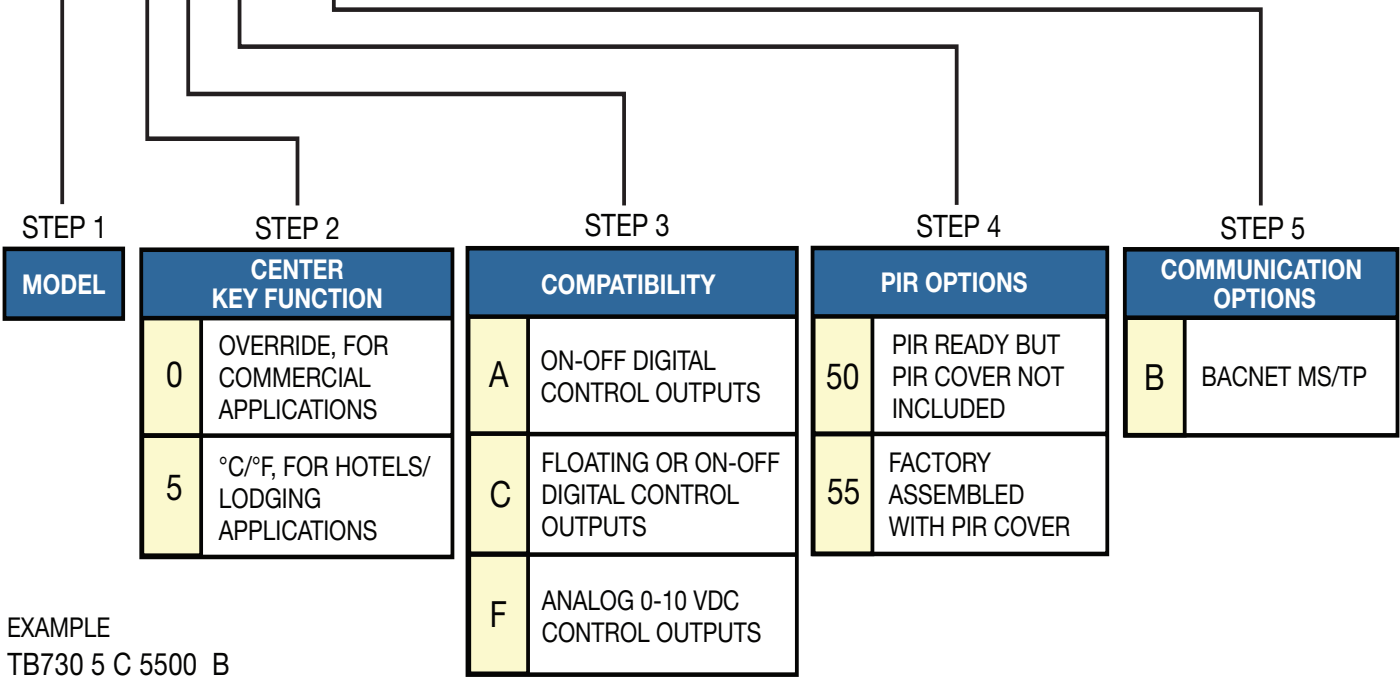


M16987

# TB7300 SERIES FAN COIL UNIT THERMOSTAT SELECTION



**TB730 5 C 5500 B**

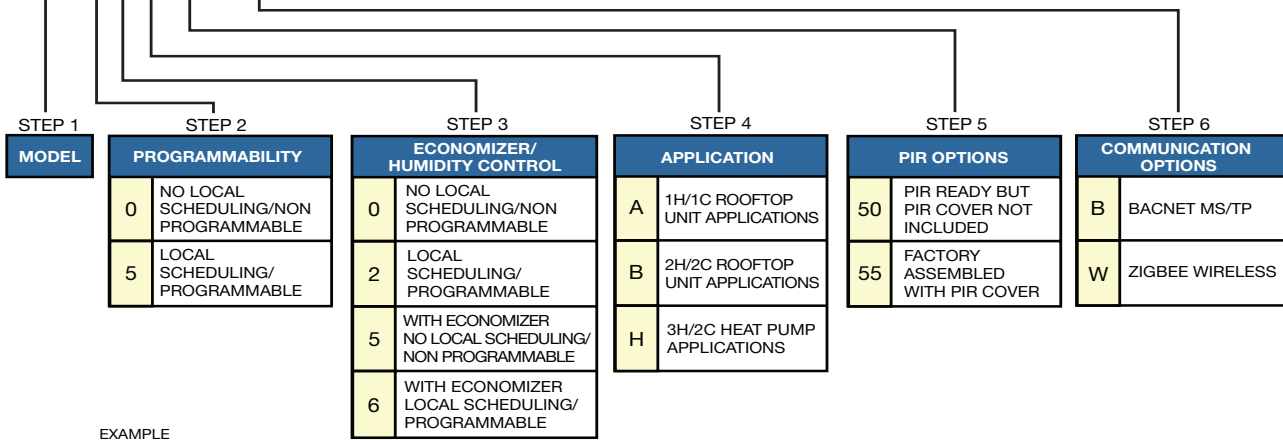


MCR35440

# TB7600 SERIES RTU AND HEATPUMP THERMOSTAT SELECTION

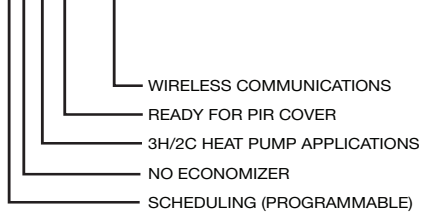


**TB76 5 2 H 5000 W**



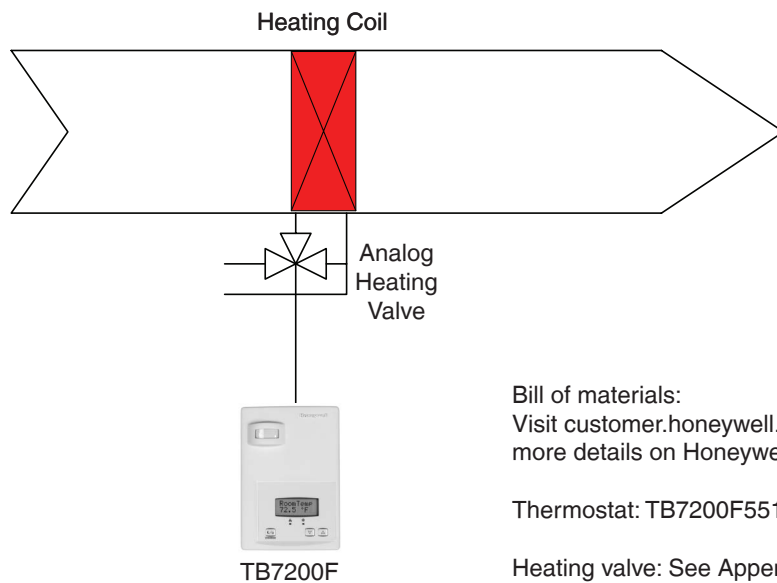
EXAMPLE

TB765 2 H 5000 W



MCR35441

## TB7200F5514 : HEATING ONLY: ANALOG VALVE ACTUATOR



Bill of materials:  
Visit [customer.honeywell.com](http://customer.honeywell.com) for more details on Honeywell parts.

Thermostat: TB7200F5514

Heating valve: See Appendix D

To enter configuration menu press and hold the override key for 8 seconds.

For full explanation of parameters refer to the TB7200 Series Installation Instructions (Form No. 62-2019).

Configuration parameter name	Configuration settings
PswrdSet	0 is factory set, range is: 0-1000
BI1	None
BI2	None
UI3	None
MenuScro	On or Off if scrolling of thermostat status is desired
Lockout	0 = occupied setpoints and unoccupied override access
Out1Conf	2.0 = access all sequences of operation from 0 to 3
SeqOpera	1 = Heating Only
St-By TM	0.5 hours is factory set, range is: 0.0 to 24.0 hours in 0.5hr increments
Unocc TM	0.0 hours is factory set, range is: 0.0 to 24.0 hours in 0.5hr increments
St-By HT	69 °F is factory set, range is: 40 to 90 °F ( 4.5 to 32.0 °C )
St-By CL	78 °F is factory set, range is: 54 to 100 °F ( 12.0 to 37.5 °C )
Unocc HT	62 °F is factory set, range is: 40 to 90 °F ( 4.5 to 32.0 °C )
Unocc CL	80 °F is factory set, range is: 54 to 100 °F ( 12.0 to 37.5 °C )
heat max	90 °F is factory set, range is: 40 to 90 °F ( 4.5 to 32.0 °C )
cool min	54 °F is factory set, range is: 54 to 100 °F ( 12.0 to 37.5 °C )
Pband	2 °F is factory set, range is: 2 to 10 °F ( 0.6 to 5.6 °C )
Set Type	Permnet: (permanent) or Temporar: (temporary) setpoints
TOccTime	2 hours is factory set, range is 0 to 24 hours
deadband	2 °F is factory set, range is: 2 to 5 °F
cal RS	Factory set
aux cont	0, None
RA/DA	Reverse Acting (RA) or Direct Acting (DA), depends on actuator
Reheat	0. Not used in this application.
UI3 dis	Displays supply air temperature if installed



## Sequence of Operation and Wiring

### Occupied Mode:

During occupied periods, the occupied heating and cooling setpoints are used.

### PIR activated stand-by and unoccupied modes:

When equipped with a PIR (Passive Infrared) accessory cover the thermostat provides advanced active occupancy logic, which will automatically switch occupancy levels from occupied to stand-by to unoccupied when no motion is detected in the room. During PIR activated stand-by periods, the stand-by heating and cooling setpoints are used:

- During PIR activated stand-by periods, the stand-by heating and cooling setpoints are used.
- During PIR activated unoccupied periods, the unoccupied-by heating and cooling setpoints are used.

### Unoccupied Mode:

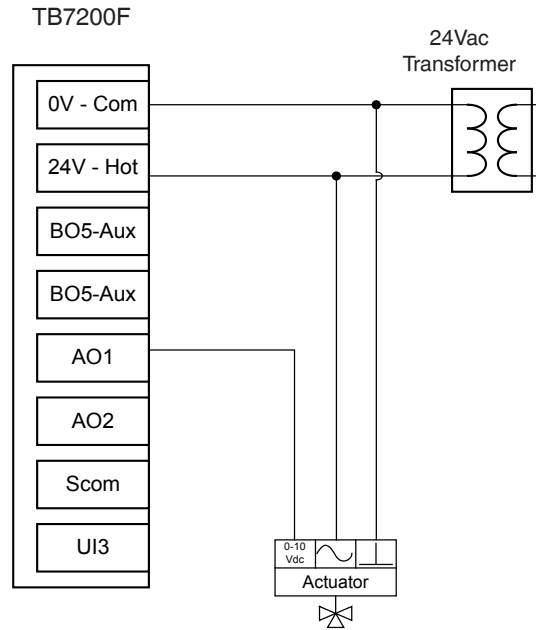
During unoccupied periods, the unoccupied heating and cooling setpoints are used.

### Occupied Override Mode:

The thermostat will revert back to the occupied mode as specified by a configuration timer when a local override is requested at the thermostat.

### On a call for heating:

The heating valve will modulate from closed to open according to the demand.



## Options

BACnet and Wireless models are available. See appendix B for more details.

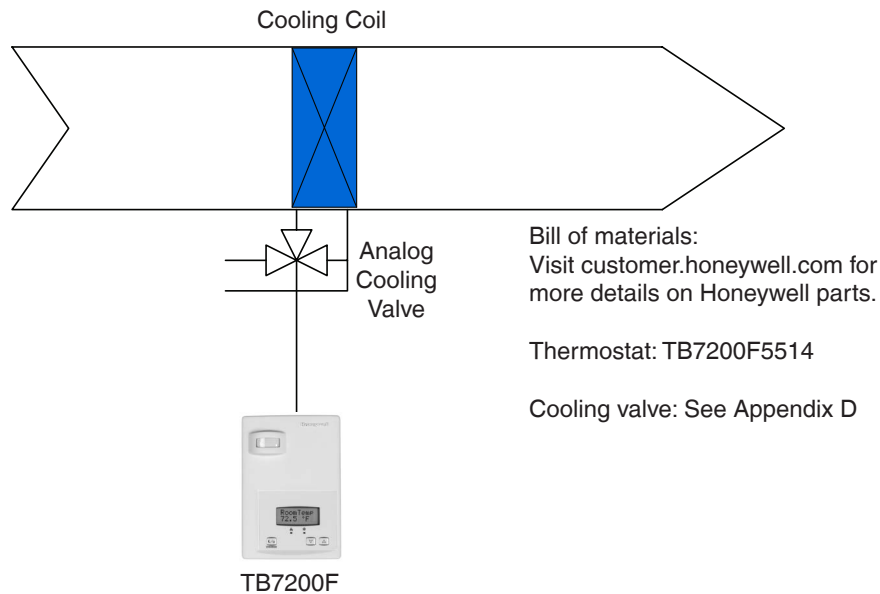
Remote wall mounted sensor or a return air temperature sensor can be used instead of the internal temperature sensor of the thermostat. See appendix F for more details on available 10K ohm NTC Type II sensors.

On-Off control or 3 point floating control operation can be accomplished by using other models.

2 binary inputs and one universal input can be used and configured for advanced functionality as required by the application. E.g. discharge air sensor, door or window contact input, filter and service alarms, etc.

Auxiliary electric reheat can be added if required by the application.

## TB7200F5514: COOLING ONLY: ANALOG VALVE ACTUATOR



To enter configuration menu press and hold the override key for 8 seconds.

For full explanation of parameters refer to the TB7200 Series Installation Instructions (Form No. 62-2019).

Configuration parameter name	Configuration settings
PswrdSet	0 is factory set, range is: 0-1000
BI1	None
BI2	None
UI3	None
MenuScro	On or Off if scrolling of thermostat status is desired
Lockout	0 = occupied setpoints and unoccupied override access
Out1Conf	2.0 = access all sequences of operation from 0 to 3
SeqOpera	0 = Cooling Only
St-By TM	0.5 hours is factory set, range is: 0.0 to 24.0 hours in 0.5hr increments
Unocc TM	0.0 hours is factory set, range is: 0.0 to 24.0 hours in 0.5hr increments
St-By HT	69 °F is factory set, range is: 40 to 90 °F ( 4.5 to 32.0 °C )
St-By CL	78 °F is factory set, range is: 54 to 100 °F ( 12.0 to 37.5 °C )
Unocc HT	62 °F is factory set, range is: 40 to 90 °F ( 4.5 to 32.0 °C )
Unocc CL	80 °F is factory set, range is: 54 to 100 °F ( 12.0 to 37.5 °C )
heat max	90 °F is factory set, range is: 40 to 90 °F ( 4.5 to 32.0 °C )
cool min	54 °F is factory set, range is: 54 to 100 °F ( 12.0 to 37.5 °C )
Pband	2 °F is factory set, range is: 2 to 10 °F ( 0.6 to 5.6 °C )
Set Type	Permnet: (permanent) or Temporar: (temporary) setpoints
TOccTime	2 hours is factory set, range is 0 to 24 hours
deadband	2 °F is factory set, range is: 2 to 5 °F
cal RS	Factory set
aux cont	0, used for reheat
RA/DA	Reverse Acting (RA) or Direct Acting (DA), depends on actuator
Reheat	0. Not used in this application.
UI3 dis	Displays supply air temperature if installed

## Sequence of Operation and Wiring

### Occupied Mode:

During occupied periods, the occupied heating and cooling setpoints are used.

### PIR activated stand-by and unoccupied modes:

When equipped with a PIR (Passive Infrared) accessory cover the thermostat provides advanced active occupancy logic, which will automatically switch occupancy levels from occupied to stand-by to unoccupied when no motion is detected in the room. During PIR activated stand-by periods, the stand-by heating and cooling setpoints are used:

- During PIR activated stand-by periods, the stand-by heating and cooling setpoints are used.
- During PIR activated unoccupied periods, the unoccupied-by heating and cooling setpoints are used.

### Unoccupied Mode:

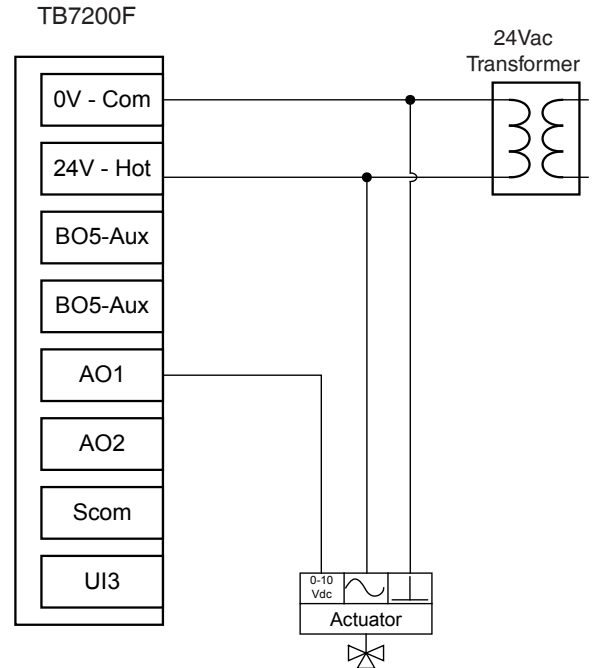
During unoccupied periods, the unoccupied heating and cooling setpoints are used.

### Occupied Override Mode:

The thermostat will revert back to the occupied mode as specified by a configuration timer when a local override is requested at the thermostat.

### On a call for cooling:

The cooling valve will modulate from closed to open according to the demand.



## Options

BACnet and Wireless models are available. See appendix B for more details.

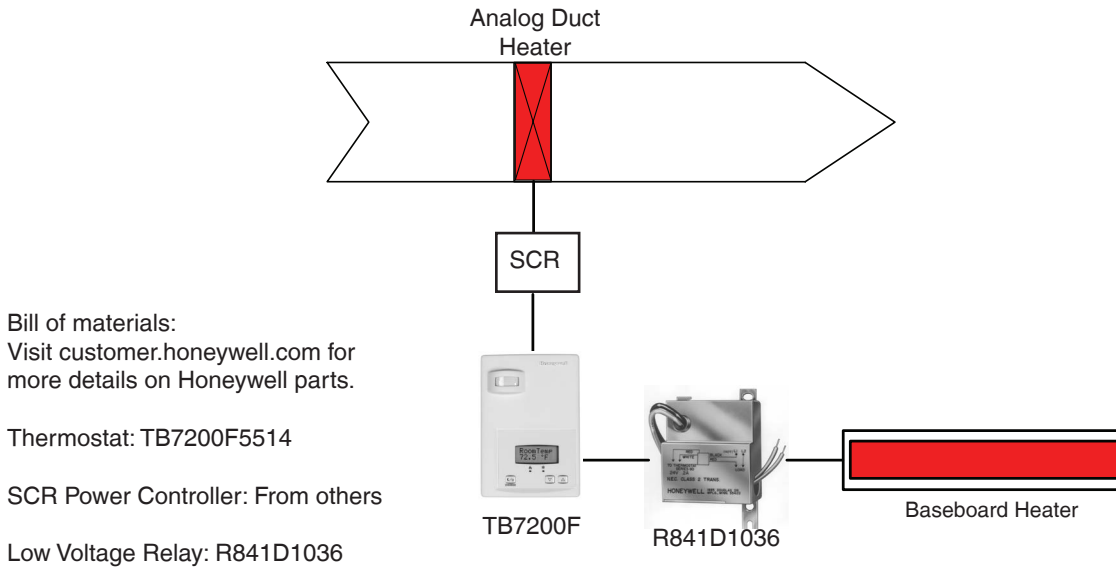
Remote wall mounted sensor or a return air temperature sensor can be used instead of the internal temperature sensor of the thermostat. See appendix F for more details on available 10K ohm NTC Type II sensors.

On-Off control or 3 point floating control operation can be accomplished by using other models.

2 binary inputs and one universal input can be used and configured for advanced functionality as required by the application. E.g. discharge air sensor, door or window contact input, filter and service alarms, etc.

Auxiliary electric reheat can be added if required by the application.

## TB7200F5514: HEATING WITH REHEAT: ANALOG DUCT HEATER AND ELECTRIC BASEBOARD



To enter configuration menu press and hold the override key for 8 seconds.

For full explanation of parameters refer to the TB7200 Series Installation Instructions (Form No. 62-2019).

Configuration parameter name	Configuration settings
PswrdSet	0 is factory set, range is: 0-1000
BI1	None
BI2	None
UI3	None
MenuScro	On or Off if scrolling of thermostat status is desired
Lockout	0 = occupied setpoints and unoccupied override access
Out1Conf	2.0 = access all sequences of operation from 0 to 3
SeqOpera	3 = Heating with reheat
St-By TM	0.5 hours is factory set, range is: 0.0 to 24.0 hours in 0.5hr increments
Unocc TM	0.0 hours is factory set, range is: 0.0 to 24.0 hours in 0.5hr increments
St-By HT	69 °F is factory set, range is: 40 to 90 °F ( 4.5 to 32.0 °C )
St-By CL	78 °F is factory set, range is: 54 to 100 °F ( 12.0 to 37.5 °C )
Unocc HT	62 °F is factory set, range is: 40 to 90 °F ( 4.5 to 32.0 °C )
Unocc CL	80 °F is factory set, range is: 54 to 100 °F ( 12.0 to 37.5 °C )
heat max	90 °F is factory set, range is: 40 to 90 °F ( 4.5 to 32.0 °C )
cool min	54 °F is factory set, range is: 54 to 100 °F ( 12.0 to 37.5 °C )
Pband	2 °F is factory set, range is: 2 to 10 °F ( 0.6 to 5.6 °C )
Set Type	Permnet: (permanent) or Temporar: (temporary) setpoints
TOccTime	2 hours is factory set, range is 0 to 24 hours
deadband	2 °F is factory set, range is: 2 to 5 °F
cal RS	Factory set
aux cont	0, reheat
RA/DA	Reverse Acting (RA) or Direct Acting (DA), depends on actuator
Reheat	0 = 15 minutes
UI3 dis	Displays supply air temperature if installed

## Sequence of Operation and Wiring

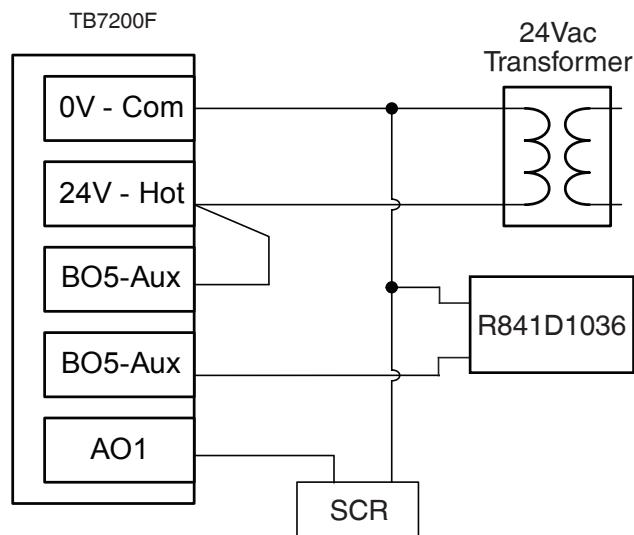
### Occupied Mode:

During occupied periods, the occupied heating and cooling setpoints are used.

### PIR activated stand-by and unoccupied modes:

When equipped with a PIR (Passive Infrared) accessory cover the thermostat provides advanced active occupancy logic, which will automatically switch occupancy levels from occupied to stand-by to unoccupied when no motion is detected in the room. During PIR activated stand-by periods, the stand-by heating and cooling setpoints are used:

- During PIR activated stand-by periods, the stand-by heating and cooling setpoints are used.
- During PIR activated unoccupied periods, the unoccupied-by heating and cooling setpoints are used.



### Unoccupied Mode:

During unoccupied periods, the unoccupied heating and cooling setpoints are used.

### Occupied Override Mode:

The thermostat will revert back to the occupied mode as specified by a configuration timer when a local override is requested at the thermostat.

### On a call for heating:

The proportional device will act as a first step and modulate from 0 to 100% capacity. The perimeter heater will operate as a second step.

## Options

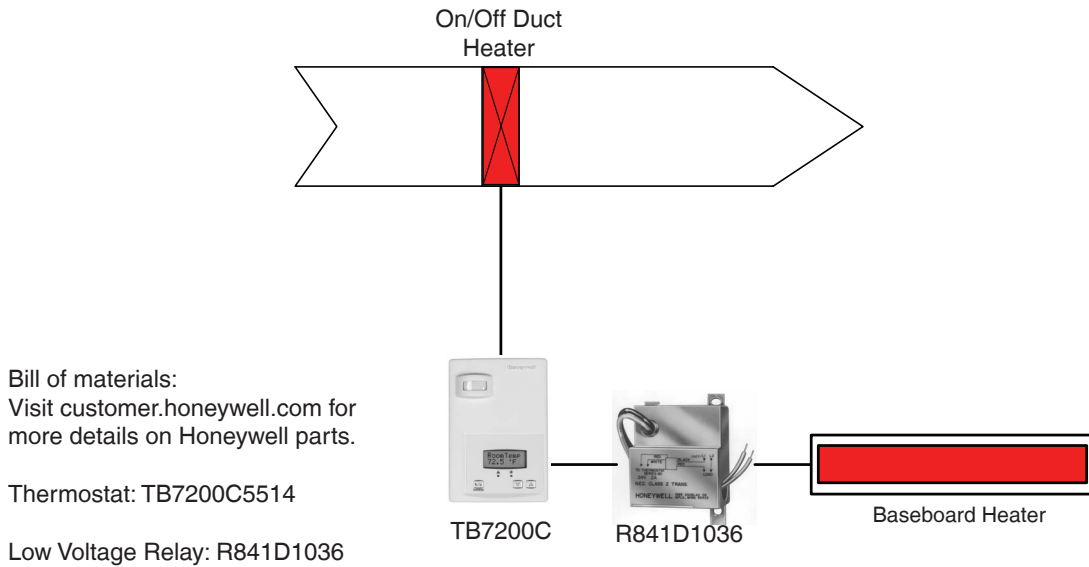
BACnet and Wireless models are available. See appendix B for more details.

Remote wall mounted sensor or a return air temperature sensor can be used instead of the internal temperature sensor of the thermostat. See appendix F for more details on available 10K ohm NTC Type II sensors.

On-Off control or 3 point floating control operation can be accomplished by using other models.

2 binary inputs and one universal input can be used and configured for advanced functionality as required by the application. E.g. discharge air sensor, door or window contact input, filter and service alarms, etc.

## TB7200C5514: HEATING WITH REHEAT: ONE STAGE DUCT HEATER, ELECTRIC BASEBOARD



To enter configuration menu press and hold the override key for 8 seconds.

For full explanation of parameters refer to the TB7200 Series Installation Instructions (Form No. 62-2019).

Configuration parameter name	Configuration settings
PswrdSet	0 is factory set, range is: 0-1000
BI1	None
BI2	None
UI3	None
MenuScro	On or Off if scrolling of thermostat status is desired
C or F	°F or °C default value at thermostat power up
Lockout	0 = occupied setpoints and unoccupied override access
Out1Conf	2.0 = access all sequences of operation from 0 to 3
CntrlTyp	ON/OFF
SeqOpera	3 = Heating with Reheat
St-By TM	0.5 hours is factory set, range is: 0.0 to 24.0 hours in 0.5hr increments
Unocc TM	0.0 hours is factory set, range is: 0.0 to 24.0 hours in 0.5hr increments
St-By HT	69 °F is factory set, range is: 40 to 90 °F ( 4.5 to 32.0 °C )
St-By CL	78 °F is factory set, range is: 54 to 100 °F ( 12.0 to 37.5 °C )
Unocc HT	62 °F is factory set, range is: 40 to 90 °F ( 4.5 to 32.0 °C )
Unocc CL	80 °F is factory set, range is: 54 to 100 °F ( 12.0 to 37.5 °C )
heat max	90 °F is factory set, range is: 40 to 90 °F ( 4.5 to 32.0 °C )
cool min	54 °F is factory set, range is: 54 to 100 °F ( 12.0 to 37.5 °C )
Pband	2 °F is factory set, range is: 2 to 10 °F ( 0.6 to 5.6 °C )
Set Type	Permnet: (permanent) or Temporar: (temporary) setpoints
TOccTime	2 hours is factory set, range is 0 to 24 hours
deadband	2 °F is factory set, range is: 2 to 5 °F
cal RS	Factory set
aux cont	0, used for reheat
FL time	1.5 minutes is factory set, range is 0.5 to 9 minutes
cph	3, 4, 5, 6, 7, or 8 CPH
Reheat	0 = 15 minutes for low voltage relays (0 = 4 CPH ON/OFF)
UI3 dis	Displays supply air temperature if installed

## Sequence of Operation and Wiring

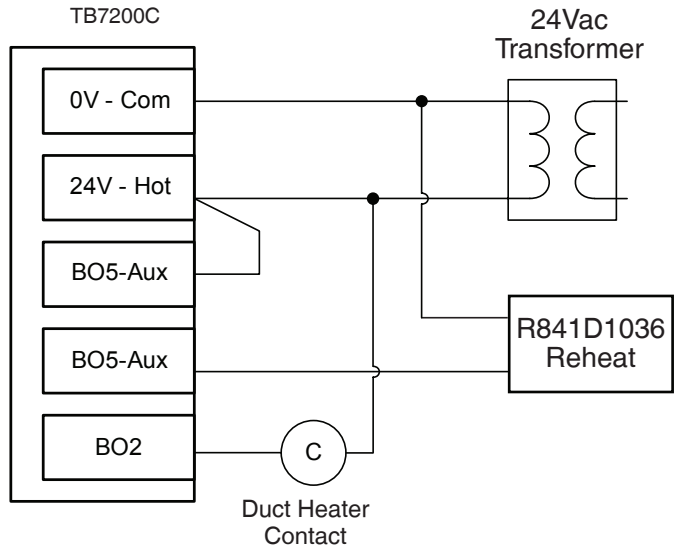
### Occupied Mode:

During occupied periods, the occupied heating and cooling setpoints are used.

### PIR activated stand-by and unoccupied modes:

When equipped with a PIR (Passive Infrared) accessory cover the thermostat provides advanced active occupancy logic, which will automatically switch occupancy levels from occupied to stand-by to unoccupied when no motion is detected in the room. During PIR activated stand-by periods, the stand-by heating and cooling setpoints are used:

- During PIR activated stand-by periods, the stand-by heating and cooling setpoints are used.
- During PIR activated unoccupied periods, the unoccupied-by heating and cooling setpoints are used.



### Unoccupied Mode:

During unoccupied periods, the unoccupied heating and cooling setpoints are used.

### Occupied Override Mode:

The thermostat will revert back to the occupied mode as specified by a configuration timer when a local override is requested at the thermostat.

### On a call for heating:

The proportional device will act as a first step and modulate from 0 to 100% capacity. The perimeter heater will operate as a second step.

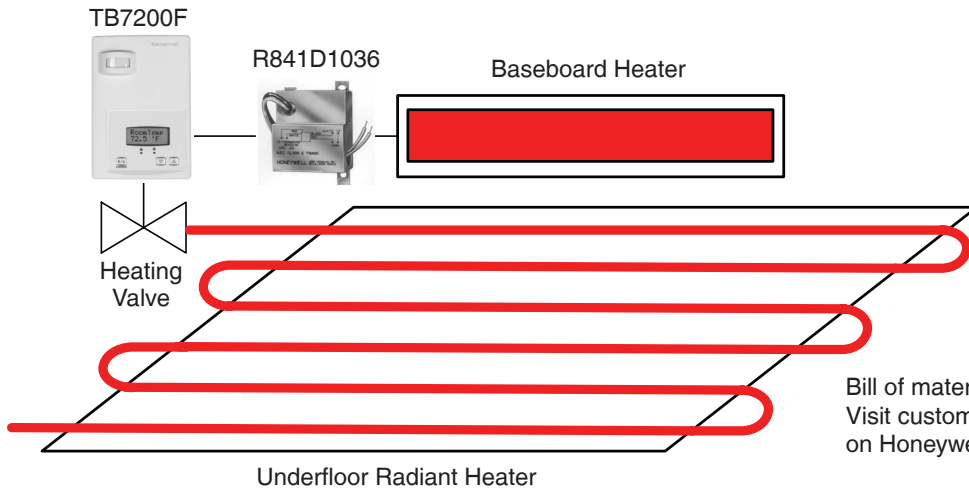
## Options

BACnet and Wireless models are available. See appendix B for more details.

Remote wall mounted sensor or a return air temperature sensor can be used instead of the internal temperature sensor of the thermostat. See appendix F for more details on available 10K ohm NTC Type II sensors.

2 binary inputs and one universal input can be used and configured for advanced functionality as required by the application. E.g. discharge air sensor, door or window contact input, filter and service alarms, etc.

## TB7200F5514: HEATING WITH REHEAT: ANALOG FLOOR RADIANT HEATING AND ELECTRIC BASEBOARD



Bill of materials:  
Visit [customer.honeywell.com](http://customer.honeywell.com) for more details on Honeywell parts.

Thermostat: TB7200F5514

Low Voltage Relay: R841D1036

Radiant floor heating valve: See Appendix D

To enter configuration menu press and hold the override key for 8 seconds.

For full explanation of parameters refer to the TB7200 Series Installation Instructions (Form No. 62-2019).

Configuration parameter name	Configuration settings
PswrdSet	0 is factory set, range is: 0-1000
BI1	None
BI2	None
UI3	None
MenuScro	On or Off if scrolling of thermostat status is desired
Lockout	0 = occupied setpoints and unoccupied override access
Out1Conf	2.0 = access all sequences of operation from 0 to 3
SeqOpera	3 = Heating with reheat
St-By TM	0.5 hours is factory set, range is: 0.0 to 24.0 hours in 0.5hr increments
Unocc TM	0.0 hours is factory set, range is: 0.0 to 24.0 hours in 0.5hr increments
St-By HT	69 °F is factory set, range is: 40 to 90 °F ( 4.5 to 32.0 °C )
St-By CL	78 °F is factory set, range is: 54 to 100 °F ( 12.0 to 37.5 °C )
Unocc HT	62 °F is factory set, range is: 40 to 90 °F ( 4.5 to 32.0 °C )
Unocc CL	80 °F is factory set, range is: 54 to 100 °F ( 12.0 to 37.5 °C )
heat max	90 °F is factory set, range is: 40 to 90 °F ( 4.5 to 32.0 °C )
cool min	54 °F is factory set, range is: 54 to 100 °F ( 12.0 to 37.5 °C )
Pband	2 °F is factory set, range is: 2 to 10 °F ( 0.6 to 5.6 °C )
Set Type	Permnet: (permanent) or Temporar: (temporary) setpoints
TOccTime	2 hours is factory set, range is 0 to 24 hours
deadband	2 °F is factory set, range is: 2 to 5 °F
cal RS	Factory set
aux cont	0, reheat
RA/DA	Reverse Acting (RA) or Direct Acting (DA), depends on actuator
Reheat	0 = 15 minutes for low voltage relays (0 = 4 CPH ON/OFF)
UI3 dis	Displays supply air temperature if installed



## Sequence of Operation and Wiring

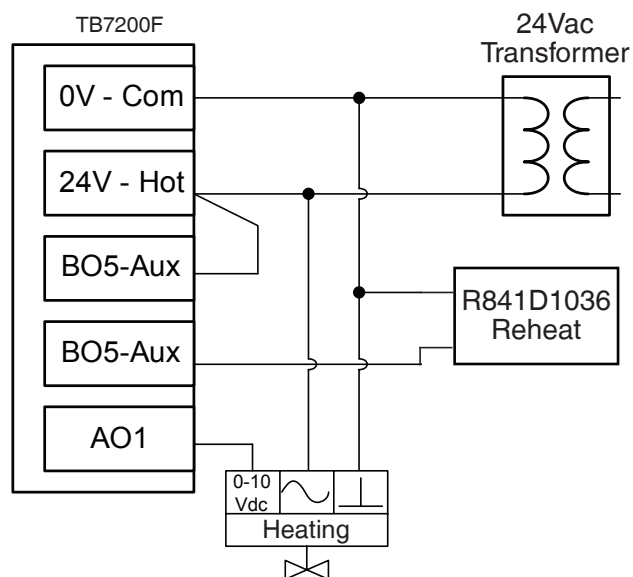
### Occupied Mode:

During occupied periods, the occupied heating and cooling setpoints are used.

### PIR activated stand-by and unoccupied modes:

When equipped with a PIR (Passive Infrared) accessory cover the thermostat provides advanced active occupancy logic, which will automatically switch occupancy levels from occupied to stand-by to unoccupied when no motion is detected in the room. During PIR activated stand-by periods, the stand-by heating and cooling setpoints are used:

- During PIR activated stand-by periods, the stand-by heating and cooling setpoints are used.
- During PIR activated unoccupied periods, the unoccupied-by heating and cooling setpoints are used.



### Unoccupied Mode:

During unoccupied periods, the unoccupied heating and cooling setpoints are used.

### Occupied Override Mode:

The thermostat will revert back to the occupied mode as specified by a configuration timer when a local override is requested at the thermostat.

### On a call for heating:

The proportional device will act as a first step and modulate from 0 to 100% capacity. The perimeter heater will operate as a second step.

## Options

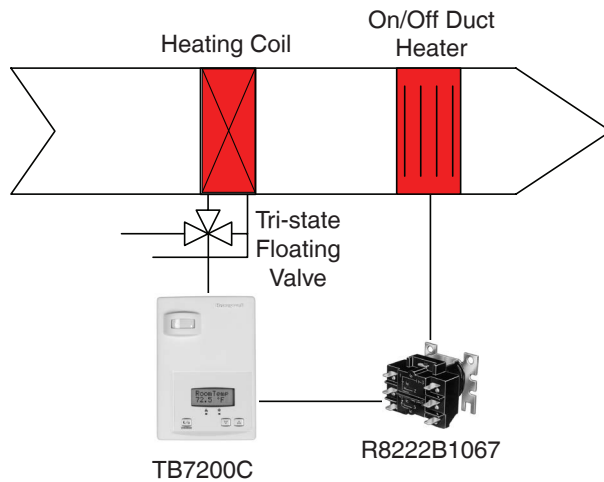
BACnet and Wireless models are available. See appendix B for more details.

Remote wall mounted sensor or a return air temperature sensor can be used instead of the internal temperature sensor of the thermostat. See appendix F for more details on available 10K ohm NTC Type II sensors.

On-Off control or 3 point floating control operation can be accomplished by using other models.

2 binary inputs and one universal input can be used and configured for advanced functionality as required by the application. E.g. discharge air sensor, door or window contact input, filter and service alarms, etc.

## TB7200C5514: HEATING WITH REHEAT: TRI-STATE FLOATING VALVE, ON/OFF DUCT HEATER.



Bill of materials:  
Visit [customer.honeywell.com](http://customer.honeywell.com) for more details on Honeywell parts.

Thermostat: TB7200C5514

Low Voltage Relay: R8222B1067

Heating valve: See Appendix D

To enter configuration menu press and hold the override key for 8 seconds.

For full explanation of parameters refer to the TB7200 Series Installation Instructions (Form No. 62-2019).

Configuration parameter name	Configuration settings
PswrdSet	0 is factory set, range is: 0-1000
BI1	None
BI2	None
UI3	None
MenuScro	On or Off if scrolling of thermostat status is desired
C or F	°F or °C default value at thermostat power up
Lockout	0 = occupied setpoints and unoccupied override access
Out1Conf	2.0 = access all sequences of operation from 0 to 3
CntrlTyp	Floating
SeqOpera	3 = Heating with Reheat
St-By TM	0.5 hours is factory set, range is: 0.0 to 24.0 hours in 0.5hr increments
Unocc TM	0.0 hours is factory set, range is: 0.0 to 24.0 hours in 0.5hr increments
St-By HT	69 °F is factory set, range is: 40 to 90 °F ( 4.5 to 32.0 °C )
St-By CL	78 °F is factory set, range is: 54 to 100 °F ( 12.0 to 37.5 °C )
Unocc HT	62 °F is factory set, range is: 40 to 90 °F ( 4.5 to 32.0 °C )
Unocc CL	80 °F is factory set, range is: 54 to 100 °F ( 12.0 to 37.5 °C )
heat max	90 °F is factory set, range is: 40 to 90 °F ( 4.5 to 32.0 °C )
cool min	54 °F is factory set, range is: 54 to 100 °F ( 12.0 to 37.5 °C )
Pband	2 °F is factory set, range is: 2 to 10 °F ( 0.6 to 5.6 °C )
Set Type	Permnet: (permanent) or Temporar: (temporary) setpoints
TOccTime	2 hours is factory set, range is 0 to 24 hours
deadband	2 °F is factory set, range is: 2 to 5 °F
cal RS	Factory set
aux cont	0, used for reheat
FL time	1.5 minutes is factory set, range is 0.5 to 9 minutes
cph	3, 4, 5, 6, 7, or 8 CPH
Reheat	0 = 15 minutes for low voltage relays (0 = 4 CPH ON/OFF)
UI3 dis	Displays supply air temperature if installed

## Sequence of Operation and Wiring

### Occupied Mode:

During occupied periods, the occupied heating and cooling setpoints are used.

### PIR activated stand-by and unoccupied modes:

When equipped with a PIR (Passive Infrared) accessory cover the thermostat provides advanced active occupancy logic, which will automatically switch occupancy levels from occupied to stand-by to unoccupied when no motion is detected in the room. During PIR activated stand-by periods, the stand-by heating and cooling setpoints are used:

- During PIR activated stand-by periods, the stand-by heating and cooling setpoints are used.
- During PIR activated unoccupied periods, the unoccupied-by heating and cooling setpoints are used.

### Unoccupied Mode:

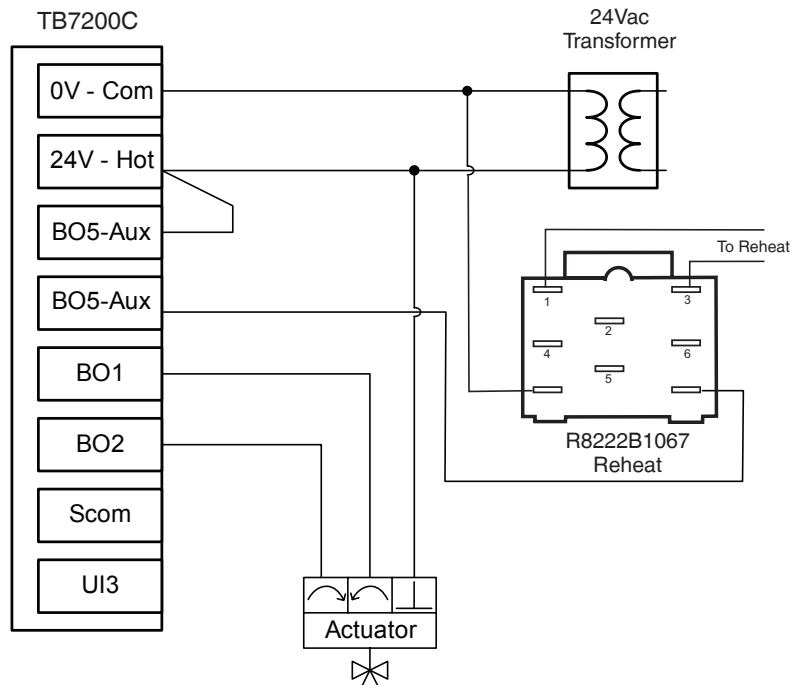
During unoccupied periods, the unoccupied heating and cooling setpoints are used.

### Occupied Override Mode:

The thermostat will revert back to the occupied mode as specified by a configuration timer when a local override is requested at the thermostat.

### On a call for heating:

The proportional device will act as a first step and modulate from 0 to 100% capacity. The duct heater will operate as a second step.



Note: Actuator Common wires to 24V - Hot terminal.

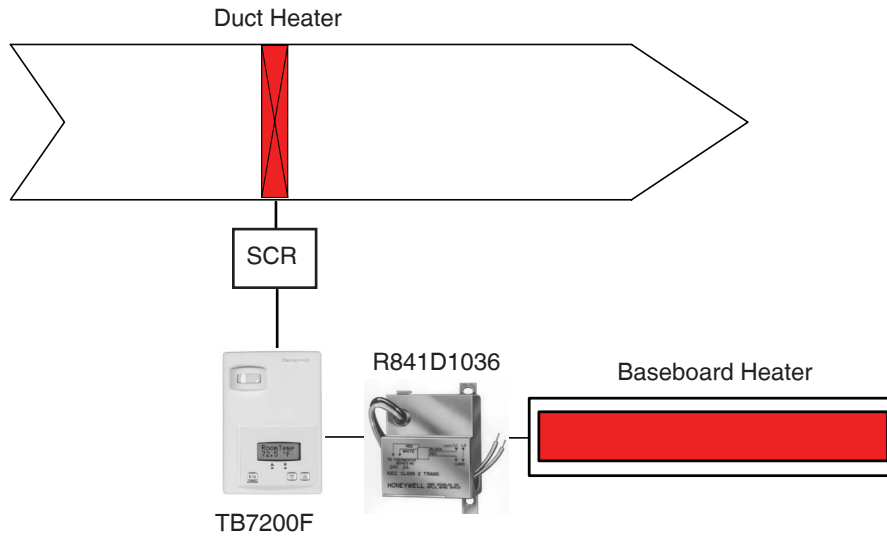
## Options

BACnet and Wireless models are available. See appendix B for more details.

Remote wall mounted sensor or a return air temperature sensor can be used instead of the internal temperature sensor of the thermostat. See appendix F for more details on available 10K ohm NTC Type II sensors.

2 binary inputs and one universal input can be used and configured for advanced functionality as required by the application. E.g. discharge air sensor, door or window contact input, filter and service alarms, etc.

## TB7200F5514: HEATING WITH REHEAT: ANALOG DUCT HEATER, ELECTRIC BASEBOARD



Bill of materials:  
Visit [customer.honeywell.com](http://customer.honeywell.com) for more details on Honeywell parts.

Thermostat: TB7200F5514

SCR: By others

Low Voltage Relay: R841D1036

To enter configuration menu press and hold the override key for 8 seconds.

For full explanation of parameters refer to the TB7200 Series Installation Instructions (Form No. 62-2019).

Configuration parameter name	Configuration settings
PswrdSet	0 is factory set, range is: 0-1000
BI1	None
BI2	None
UI3	None
MenuScro	On or Off if scrolling of thermostat status is desired
C or F	°F or °C default value at thermostat power up
Lockout	0 = occupied setpoints and unoccupied override access
Out1Conf	2.0 = access all sequences of operation from 0 to 3
SeqOpera	3 = Heating with Reheat
St-By TM	0.5 hours is factory set, range is: 0.0 to 24.0 hours in 0.5hr increments
Unocc TM	0.0 hours is factory set, range is: 0.0 to 24.0 hours in 0.5hr increments
St-By HT	69 °F is factory set, range is: 40 to 90 °F ( 4.5 to 32.0 °C )
St-By CL	78 °F is factory set, range is: 54 to 100 °F ( 12.0 to 37.5 °C )
Unocc HT	62 °F is factory set, range is: 40 to 90 °F ( 4.5 to 32.0 °C )
Unocc CL	80 °F is factory set, range is: 54 to 100 °F ( 12.0 to 37.5 °C )
heat max	90 °F is factory set, range is: 40 to 90 °F ( 4.5 to 32.0 °C )
cool min	54 °F is factory set, range is: 54 to 100 °F ( 12.0 to 37.5 °C )
Pband	2 °F is factory set, range is: 2 to 10 °F ( 0.6 to 5.6 °C )
Set Type	Permnet: (permanent) or Temporar: (temporary) setpoints
TOccTime	2 hours is factory set, range is 0 to 24 hours
deadband	2 °F is factory set, range is: 2 to 5 °F
cal RS	Factory set
aux cont	0, used for reheat
RA/DA	RA = reverse acting, DA = direct acting
Reheat	0 = 15 minutes for low voltage relays (0 = 4 CPH ON/OFF)
UI3 dis	Displays supply air temperature if installed

## Sequence of Operation and Wiring

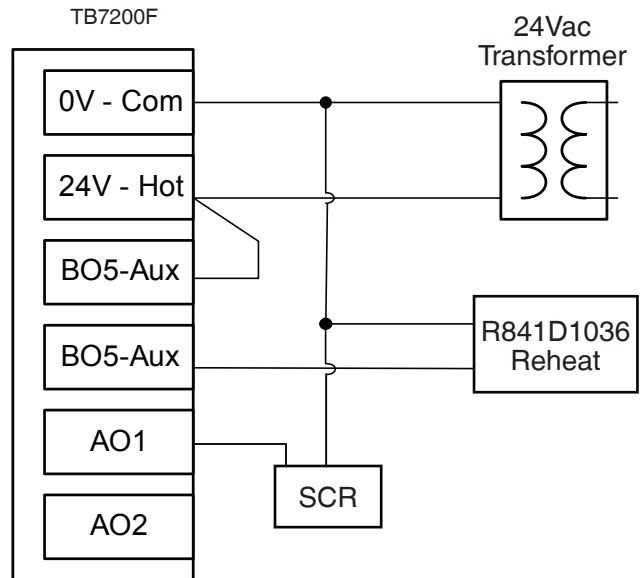
### Occupied Mode:

During occupied periods, the occupied heating and cooling setpoints are used.

### PIR activated stand-by and unoccupied modes:

When equipped with a PIR (Passive Infrared) accessory cover the thermostat provides advanced active occupancy logic, which will automatically switch occupancy levels from occupied to stand-by to unoccupied when no motion is detected in the room. During PIR activated stand-by periods, the stand-by heating and cooling setpoints are used:

- During PIR activated stand-by periods, the stand-by heating and cooling setpoints are used.
- During PIR activated unoccupied periods, the unoccupied-by heating and cooling setpoints are used.



### Unoccupied Mode:

During unoccupied periods, the unoccupied heating and cooling setpoints are used.

### Occupied Override Mode:

The thermostat will revert back to the occupied mode as specified by a configuration timer when a local override is requested at the thermostat.

### On a call for heating:

The proportional device will act as a first step and modulate from 0 to 100% capacity. The perimeter heater will operate as a second step.

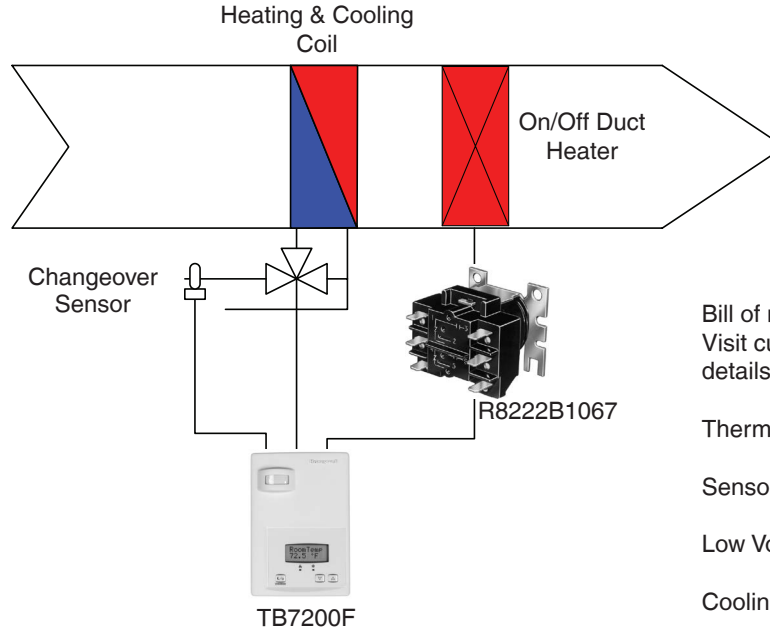
## Options

BACnet and Wireless models are available. See appendix B for more details.

Remote wall mounted sensor or a return air temperature sensor can be used instead of the internal temperature sensor of the thermostat. See appendix F for more details on available 10K ohm NTC Type II sensors.

2 binary inputs and one universal input can be used and configured for advanced functionality as required by the application. E.g. discharge air sensor, door or window contact input, filter and service alarms, etc.

## TB7200F5514: ANALOG HEATING & COOLING WITH CHANGEOVER SENSOR & REHEAT



Bill of materials:

Visit [customer.honeywell.com](http://customer.honeywell.com) for more details on Honeywell parts.

Thermostat: TB7200F5514

Sensor: C7021D/K

Low Voltage Relay: R8222B1067

Cooling/heating valve: See Appendix D

To enter configuration menu press and hold the override key for 8 seconds.

For full explanation of parameters refer to the TB7200 Series Installation Instructions (Form No. 62-2019).

Configuration parameter name	Configuration settings
PswrdSet	0 is factory set, range is: 0-1000
BI1	None
BI2	None
UI3	COS
MenuScro	On or Off if scrolling of thermostat status is desired
C or F	°F or °C default value at thermostat power up
Lockout	0 = occupied setpoints and unoccupied override access
Out1Conf	2.0 = access all sequences of operation from 0 to 3
SeqOpera	2 = Cooling with Reheat
St-By TM	0.5 hours is factory set, range is: 0.0 to 24.0 hours in 0.5hr increments
Unocc TM	0.0 hours is factory set, range is: 0.0 to 24.0 hours in 0.5hr increments
St-By HT	69 °F is factory set, range is: 40 to 90 °F ( 4.5 to 32.0 °C )
St-By CL	78 °F is factory set, range is: 54 to 100 °F ( 12.0 to 37.5 °C )
Unocc HT	62 °F is factory set, range is: 40 to 90 °F ( 4.5 to 32.0 °C )
Unocc CL	80 °F is factory set, range is: 54 to 100 °F ( 12.0 to 37.5 °C )
heat max	90 °F is factory set, range is: 40 to 90 °F ( 4.5 to 32.0 °C )
cool min	54 °F is factory set, range is: 54 to 100 °F ( 12.0 to 37.5 °C )
Pband	2 °F is factory set, range is: 2 to 10 °F ( 0.6 to 5.6 °C )
Set Type	Permnet: (permanent) or Temporar: (temporary) setpoints
TOccTime	2 hours is factory set, range is 0 to 24 hours
deadband	2 °F is factory set, range is: 2 to 5 °F
cal RS	Factory set
aux cont	0, used for reheat
RA/DA	Reverse Acting (RA) or Direct Acting (DA), depends on actuator
Reheat	0 = 15 minutes for low voltage relays (0 = 4 CPH ON/OFF)
UI3 dis	Displays supply air temperature if installed

## Sequence of Operation and Wiring

### Occupied Mode:

*During occupied periods, the occupied heating and cooling setpoints are used.*

### PIR activated stand-by and unoccupied modes:

*When equipped with a PIR (Passive Infrared) accessory cover the thermostat provides advanced active occupancy logic, which will automatically switch occupancy levels from occupied to stand-by to unoccupied when no motion is detected in the room. During PIR activated stand-by periods, the stand-by heating and cooling setpoints are used:*

- *During PIR activated stand-by periods, the stand-by heating and cooling setpoints are used.*
- *During PIR activated unoccupied periods, the unoccupied-by heating and cooling setpoints are used.*

### Unoccupied Mode:

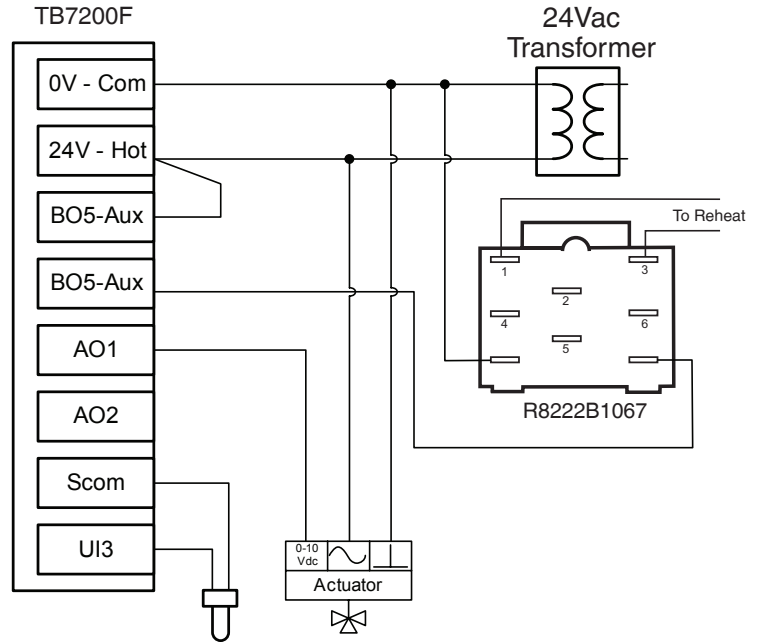
*During unoccupied periods, the unoccupied heating and cooling setpoints are used.*

### Occupied Override Mode:

*The thermostat will revert back to the occupied mode as specified by a configuration timer when a local override is requested at the thermostat.*

**On a call for cooling:** *If the supply water temperature is less than 75F, the valve will modulate from closed to open according to demand. If the water supply temperature is greater than 77F, the valve will remain closed.*

**On a call for heating:** *If the supply water temperature is higher than 77F, the valve will modulate from closed to open according to demand. If the water supply temperature is less than 75F, the valve will remain closed. The duct heater will operate as a second step.*



## Options

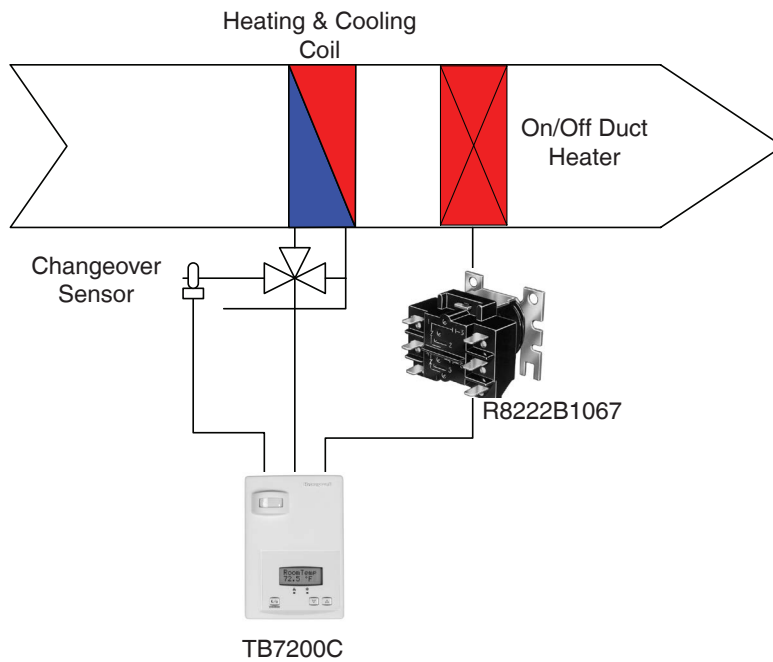
BACnet and Wireless models are available. See appendix B for more details.

Remote wall mounted sensor or a return air temperature sensor can be used instead of the internal temperature sensor of the thermostat. See appendix F for more details on available 10K ohm NTC Type II sensors.

On-Off control or 3 point floating control operation can be accomplished by using other models.

2 binary inputs and one universal input can be used and configured for advanced functionality as required by the application. E.g. discharge air sensor, door or window contact input, filter and service alarms, etc.

**TB7200C5514: HEATING & COOLING, CHANGEOVER SENSOR & REHEAT: TRI-STATE FLOATING VALVE, ON & OFF DUCT HEATER, WATER SENSOR FOR CHANGEOVER**



Bill of materials:  
Visit [customer.honeywell.com](http://customer.honeywell.com) for more details on Honeywell parts.

Thermostat: TB7200C5514

Sensor: C7041D/K

Low Voltage Relay: R8222B1067

Cooling/heating valve: See Appendix D

To enter configuration menu press and hold the override key for 8 seconds.

For full explanation of parameters refer to the TB7200 Series Installation Instructions (Form No. 62-2019).

Configuration parameter name	Configuration settings
PswrdSet	0 is factory set, range is: 0-1000
BI1	None
BI2	None
UI3	COS
MenuScro	On or Off if scrolling of thermostat status is desired
C or F	°F or °C default value at thermostat power up
Lockout	0 = occupied setpoints and unoccupied override access
Out1Conf	2.0 = access all sequences of operation from 0 to 3
CntrlTyp	Floating
SeqOpera	2 = Cooling with Reheat
St-By TM	0.5 hours is factory set, range is: 0.0 to 24.0 hours in 0.5hr increments
Unocc TM	0.0 hours is factory set, range is: 0.0 to 24.0 hours in 0.5hr increments
St-By HT	69 °F is factory set, range is: 40 to 90 °F ( 4.5 to 32.0 °C )
St-By CL	78 °F is factory set, range is: 54 to 100 °F ( 12.0 to 37.5 °C )
Unocc HT	62 °F is factory set, range is: 40 to 90 °F ( 4.5 to 32.0 °C )
Unocc CL	80 °F is factory set, range is: 54 to 100 °F ( 12.0 to 37.5 °C )
heat max	90 °F is factory set, range is: 40 to 90 °F ( 4.5 to 32.0 °C )
cool min	54 °F is factory set, range is: 54 to 100 °F ( 12.0 to 37.5 °C )
Pband	2 °F is factory set, range is: 2 to 10 °F ( 0.6 to 5.6 °C )
Set Type	Permnet: (permanent) or Temporar: (temporary) setpoints
TOccTime	2 hours is factory set, range is 0 to 24 hours
deadband	2 °F is factory set, range is: 2 to 5 °F
cal RS	Factory set
aux cont	0, used for reheat
FL time	1.5 minutes is factory set, range is 0.5 to 9 minutes
cph	N/A
Reheat	0 = 15 minutes for low voltage relays (0 = 4 CPH ON/OFF)
UI3 dis	Displays supply air temperature if installed



## Sequence of Operation and Wiring

**Occupied mode:** During occupied periods, the occupied heating and cooling setpoints are used.

**PIR activated stand-by and unoccupied modes:** When equipped with a PIR (Passive Infrared) accessory cover the thermostat provides advanced active occupancy logic, which will automatically switch occupancy levels from occupied to stand-by to unoccupied when no motion is detected in the room:

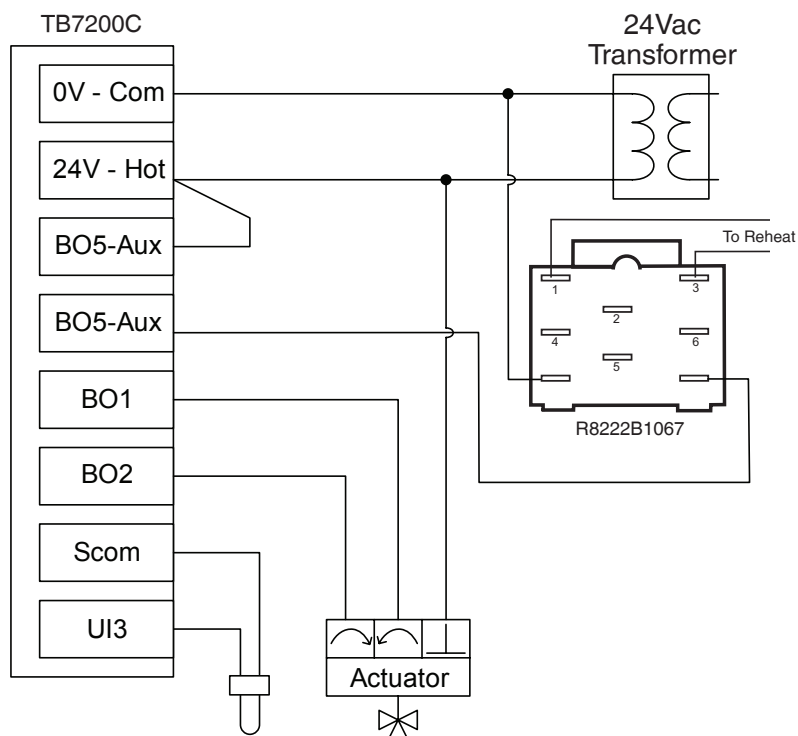
- During PIR activated stand-by periods, the stand-by heating and cooling setpoints are used.
- During PIR activated unoccupied periods, the unoccupied-by heating and cooling setpoints are used.

**Unoccupied mode:** During unoccupied periods, the unoccupied heating and cooling setpoints are used.

**Local override:** The thermostat will revert back to the occupied mode as specified by a configuration timer when a local override is requested at the thermostat.

**On a call for cooling:** If the supply water temperature is less than 75F, the valve will modulate from closed to open according to demand. If the water supply temperature is greater than 77F, the valve will remain closed.

**On a call for heating:** If the supply water temperature is higher than 77F, the valve will modulate from closed to open according to demand. If the water supply temperature is less than 75F, the valve will remain closed. The duct heater will operate as a second step.



Note: Actuator Common wires to 24V - Hot terminal.

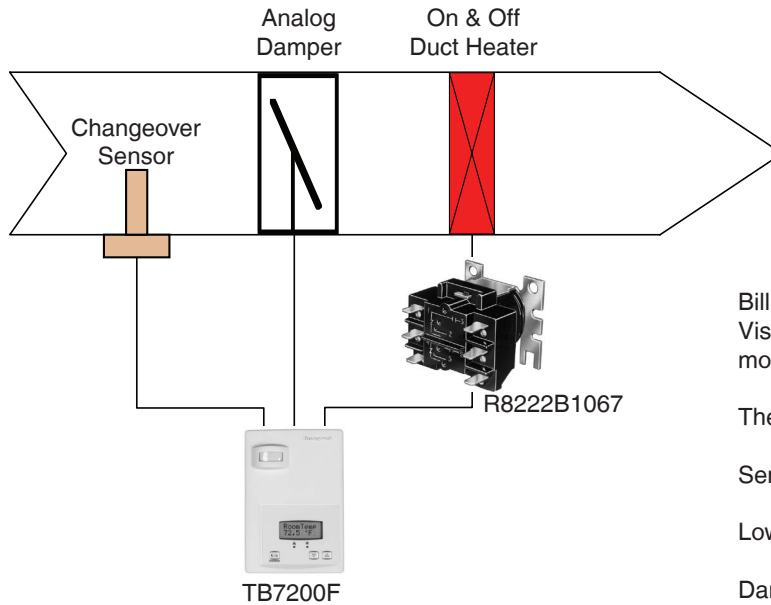
## Options

BACnet and Wireless models are available. See appendix B for more details.

Remote wall mounted sensor or a return air temperature sensor can be used instead of the internal temperature sensor of the thermostat. See appendix F for more details on available 10K ohm NTC Type II sensors.

2 binary inputs and one universal input can be used and configured for advanced functionality as required by the application. E.g. discharge air sensor, door or window contact input, filter and service alarms, etc.

**TB7200F5514: HEATING & COOLING, CHANGEOVER SENSOR & REHEAT: ANALOG AIR DAMPER ACTUATOR, ON & OFF DUCT HEATER AND SUPPLY AIR SENSOR FOR CHANGEOVER**



Bill of materials:  
Visit [customer.honeywell.com](http://customer.honeywell.com) for more details on Honeywell parts.

Thermostat: TB7200F5514

Sensor: C7021D/C7021K

Low Voltage Relay: R8222B1067

Damper actuator: See Appendix E

To enter configuration menu press and hold the override key for 8 seconds.

For full explanation of parameters refer to the TB7200 Series Installation Instructions (Form No. 62-2019).

Configuration parameter name	Configuration settings
PswrdSet	0 is factory set, range is: 0-1000
BI1	None
BI2	None
UI3	COS
MenuScro	On or Off if scrolling of thermostat status is desired
Lockout	0 = occupied setpoints and unoccupied override access
Out1Conf	2.0 = access all sequences of operation from 0 to 3
SeqOpera	2 = Cooling with Reheat
St-By TM	0.5 hours is factory set, range is: 0.0 to 24.0 hours in 0.5hr increments
Unocc TM	0.0 hours is factory set, range is: 0.0 to 24.0 hours in 0.5hr increments
St-By HT	69 °F is factory set, range is: 40 to 90 °F ( 4.5 to 32.0 °C )
St-By CL	78 °F is factory set, range is: 54 to 100 °F ( 12.0 to 37.5 °C )
Unocc HT	62 °F is factory set, range is: 40 to 90 °F ( 4.5 to 32.0 °C )
Unocc CL	80 °F is factory set, range is: 54 to 100 °F ( 12.0 to 37.5 °C )
heat max	90 °F is factory set, range is: 40 to 90 °F ( 4.5 to 32.0 °C )
cool min	54 °F is factory set, range is: 54 to 100 °F ( 12.0 to 37.5 °C )
Pband	2 °F is factory set, range is: 2 to 10 °F ( 0.6 to 5.6 °C )
Set Type	Permnet: (permanent) or Temporar: (temporary) setpoints
TOccTime	2 hours is factory set, range is 0 to 24 hours
deadband	2 °F is factory set, range is: 2 to 5 °F
cal RS	Factory set
aux cont	0, used for reheat
RA/DA	Reverse Acting (RA) or Direct Acting (DA), depends on actuator
Reheat	0 = 15 minutes for low voltage relays (0 = 4 CPH ON/OFF)
UI3 dis	Displays supply air temperature if installed

## Sequence of Operation and Wiring

**Occupied mode:** During occupied periods, the occupied heating and cooling setpoints are used.

**PIR activated stand-by and unoccupied modes:** When equipped with a PIR (Passive Infrared) accessory cover the thermostat provides advanced active occupancy logic, which will automatically switch occupancy levels from occupied to stand-by to unoccupied when no motion is detected in the room:

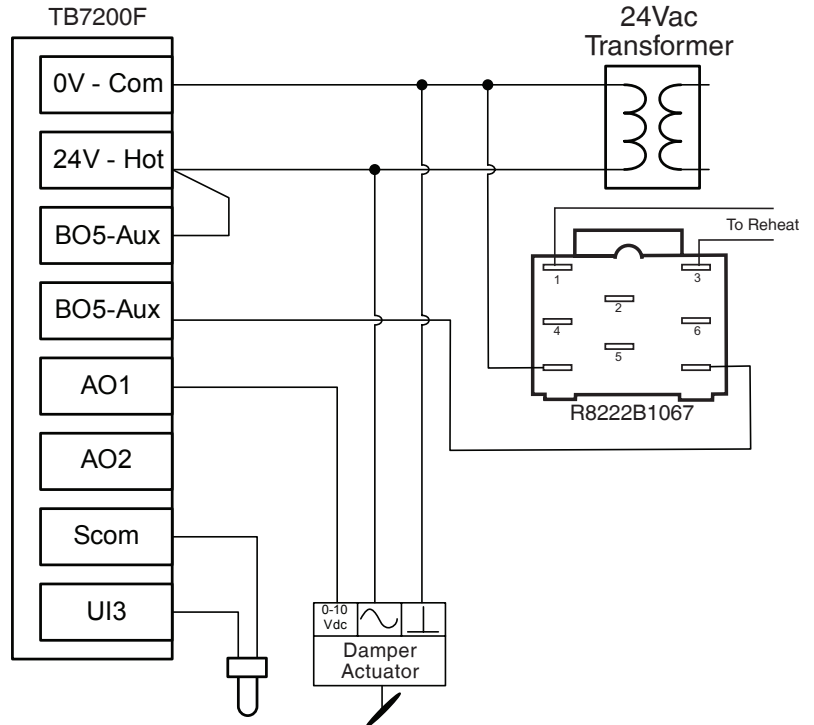
- During PIR activated stand-by periods, the stand-by heating and cooling setpoints are used.
- During PIR activated unoccupied periods, the unoccupied-by heating and cooling setpoints are used.

**Unoccupied mode:** During unoccupied periods, the unoccupied heating and cooling setpoints are used.

**Local override:** The thermostat will revert back to the occupied mode as specified by a configuration timer when a local override is requested at the thermostat.

**On a call for heating:** If the supply water temperature is higher than 77F, the valve will modulate from closed to open according to demand. If the air supply temperature is less than 75F, the valve will remain closed. The duct heater will operate as a second step.

**On a call for cooling:** If the supply air temperature is less than 75F, the damper will modulate from closed to open according to demand. If the water supply temperature is greater than 77F, the damper will remain closed.



## Options

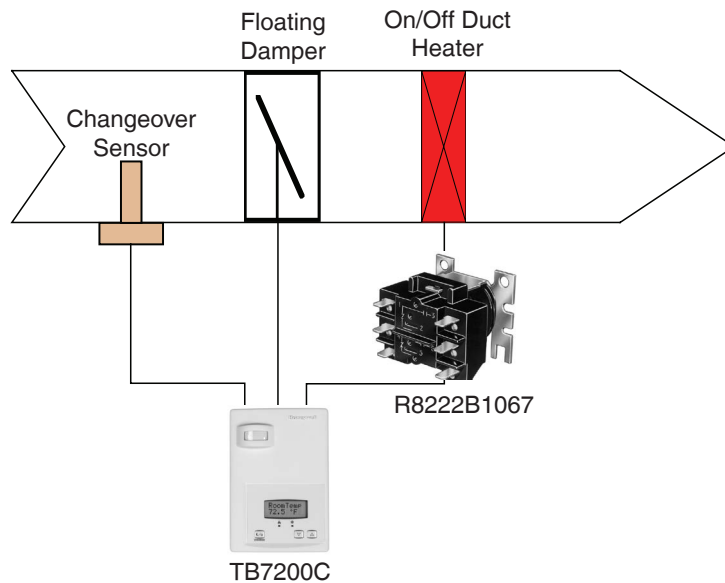
BACnet and Wireless models are available. See appendix B for more details.

Remote wall mounted sensor or a return air temperature sensor can be used instead of the internal temperature sensor of the thermostat. See appendix F for more details on available 10K ohm NTC Type II sensors.

On-Off control or 3 point floating control operation can be accomplished by using other models.

2 binary inputs and one universal input can be used and configured for advanced functionality as required by the application. E.g. discharge air sensor, door or window contact input, filter and service alarms, etc.

## TB7200C5514: HEATING, COOLING WITH CHANGEOVER SENSOR & REHEAT: FLOATING AIR DAMPER ACTUATOR, ON & OFF DUCT HEATER AND SUPPLY AIR SENSOR FOR CHANGEOVER



Bill of materials:  
Visit [customer.honeywell.com](http://customer.honeywell.com) for more details on Honeywell parts.

Thermostat: TB7200C5514

Sensor: C7021D/C7021K

Low Voltage Relay: R8222B1067

Damper actuator: See Appendix E

To enter configuration menu press and hold the override key for 8 seconds.

For full explanation of parameters refer to the TB7200 Series Installation Instructions (Form No. 62-2019).

Configuration parameter name	Configuration settings
PswrdSet	0 is factory set, range is: 0-1000
BI1	None
BI2	None
UI3	COS
MenuScro	On or Off if scrolling of thermostat status is desired
C or F	°F or °C default value at thermostat power up
Lockout	0 = occupied setpoints and unoccupied override access
Out1Conf	2.0 = access all sequences of operation from 0 to 3
CntrlTyp	Floating
SeqOpera	2 = Cooling with Reheat
St-By TM	0.5 hours is factory set, range is: 0.0 to 24.0 hours in 0.5hr increments
Unocc TM	0.0 hours is factory set, range is: 0.0 to 24.0 hours in 0.5hr increments
St-By HT	69 °F is factory set, range is: 40 to 90 °F ( 4.5 to 32.0 °C )
St-By CL	78 °F is factory set, range is: 54 to 100 °F ( 12.0 to 37.5 °C )
Unocc HT	62 °F is factory set, range is: 40 to 90 °F ( 4.5 to 32.0 °C )
Unocc CL	80 °F is factory set, range is: 54 to 100 °F ( 12.0 to 37.5 °C )
heat max	90 °F is factory set, range is: 40 to 90 °F ( 4.5 to 32.0 °C )
cool min	54 °F is factory set, range is: 54 to 100 °F ( 12.0 to 37.5 °C )
Pband	2 °F is factory set, range is: 2 to 10 °F ( 0.6 to 5.6 °C )
Set Type	Permnet: (permanent) or Temporar: (temporary) setpoints
TOccTime	2 hours is factory set, range is 0 to 24 hours
deadband	2 °F is factory set, range is: 2 to 5 °F
cal RS	Factory set
aux cont	0, used for reheat
FL time	1.5 minutes is factory set, range is 0.5 to 9 minutes
cph	N/A
Reheat	0 = 15 minutes for low voltage relays (0 = 4 CPH ON/OFF)
UI3 dis	Displays supply air temperature if installed

## Sequence of Operation and Wiring

**Occupied mode:** During occupied periods, the occupied heating and cooling setpoints are used.

PIR activated stand-by and unoccupied modes. When equipped with a PIR (Passive Infrared) accessory cover the thermostat provides advanced active occupancy logic, which will automatically switch occupancy levels from occupied to stand-by to unoccupied when no motion is detected in the room:

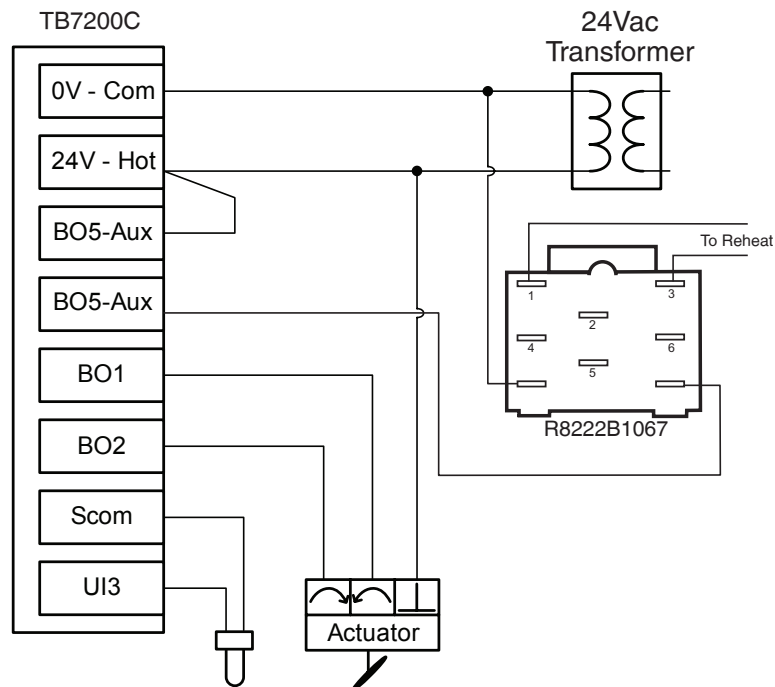
- During PIR activated stand-by periods, the stand-by heating and cooling setpoints are used.
- During PIR activated unoccupied periods, the unoccupied-by heating and cooling setpoints are used.

**Unoccupied mode:** During unoccupied periods, the unoccupied heating and cooling setpoints are used.

**Local override:** The thermostat will revert back to the occupied mode as specified by a configuration timer when a local override is requested at the thermostat.

**On a call for cooling:** If the supply air temperature is less than 75F, the damper will modulate from closed to open according to demand. If the air supply temperature is greater than 77F, the damper will remain closed.

**On a call for heating:** If the supply air temperature is greater than 77F, the damper will modulate from closed to open according to demand. If the air supply temperature is less than 75F, the damper will remain closed. The duct heater will operate as a second step.



Note: Actuator Common wires to 24V - Hot terminal.

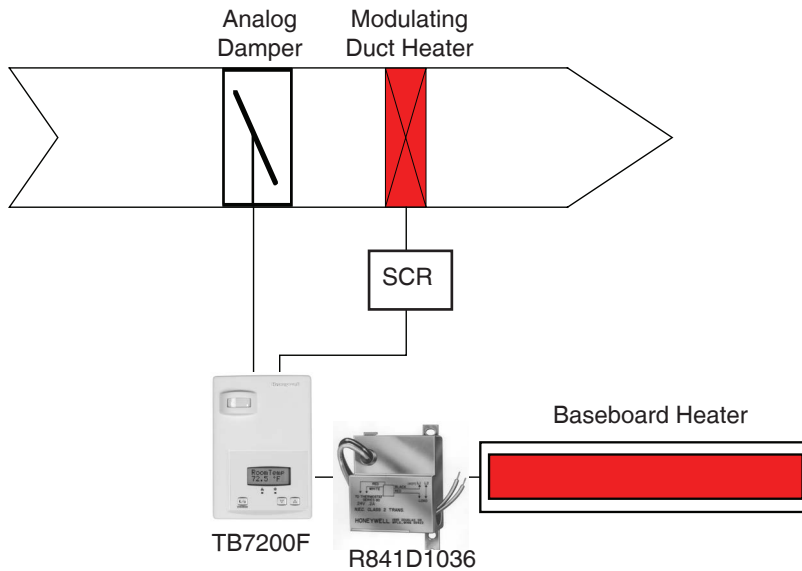
## Options

BACnet and Wireless models are available. See appendix B for more details.

Remote wall mounted sensor or a return air temperature sensor can be used instead of the internal temperature sensor of the thermostat. See appendix F for more details on available 10K ohm NTC Type II sensors.

2 binary inputs and one universal input can be used and configured for advanced functionality as required by the application. E.g. discharge air sensor, door or window contact input, filter and service alarms, etc.

## TB7200F5514: HEATING AND COOLING WITH REHEAT: ANALOG 0-10VDC AIR DAMPER ACTUATOR, ANALOG DUCT HEATER AND ELECTRIC BASEBOARD



Bill of materials:  
Visit [customer.honeywell.com](http://customer.honeywell.com) for more details on Honeywell parts.

Thermostat: TB7200F5514

Low Voltage Relay: R841D1036

Damper actuator: See Appendix E

To enter configuration menu press and hold the override key for 8 seconds.

For full explanation of parameters refer to the TB7200 Series Installation Instructions (Form No. 62-2019).

Configuration parameter name	Configuration settings
PswrdSet	0 is factory set, range is: 0-1000
BI1	None
BI2	None
UI3	COS
MenuScro	On or Off if scrolling of thermostat status is desired
Lockout	0 = occupied setpoints and unoccupied override access
Out1Conf	4.0 = access all sequences of operation from 0 to 3
SeqOpera	5 = Cooling and heating with Reheat
St-By TM	0.5 hours is factory set, range is: 0.0 to 24.0 hours in 0.5hr increments
Unocc TM	0.0 hours is factory set, range is: 0.0 to 24.0 hours in 0.5hr increments
St-By HT	69 °F is factory set, range is: 40 to 90 °F ( 4.5 to 32.0 °C )
St-By CL	78 °F is factory set, range is: 54 to 100 °F ( 12.0 to 37.5 °C )
Unocc HT	62 °F is factory set, range is: 40 to 90 °F ( 4.5 to 32.0 °C )
Unocc CL	80 °F is factory set, range is: 54 to 100 °F ( 12.0 to 37.5 °C )
heat max	90 °F is factory set, range is: 40 to 90 °F ( 4.5 to 32.0 °C )
cool min	54 °F is factory set, range is: 54 to 100 °F ( 12.0 to 37.5 °C )
Pband	2 °F is factory set, range is: 2 to 10 °F ( 0.6 to 5.6 °C )
Set Type	Permnet: (permanent) or Temporar: (temporary) setpoints
TOccTime	2 hours is factory set, range is 0 to 24 hours
deadband	2 °F is factory set, range is: 2 to 5 °F
cal RS	Factory set
aux cont	0, used for reheat
RA/DA	Reverse Acting (RA) or Direct Acting (DA), depends on actuator
Reheat	0 = 15 minutes for low voltage relays (0 = 4 CPH ON/OFF)
UI3 dis	Displays supply air temperature if installed

## Sequence of Operation and Wiring

**Occupied mode:** During occupied periods, the occupied heating and cooling setpoints are used.

**PIR activated stand-by and unoccupied modes:**

When equipped with a PIR (Passive Infrared) accessory cover the thermostat provides advanced active occupancy logic, which will automatically switch occupancy levels from occupied to stand-by to unoccupied when no motion is detected in the room:

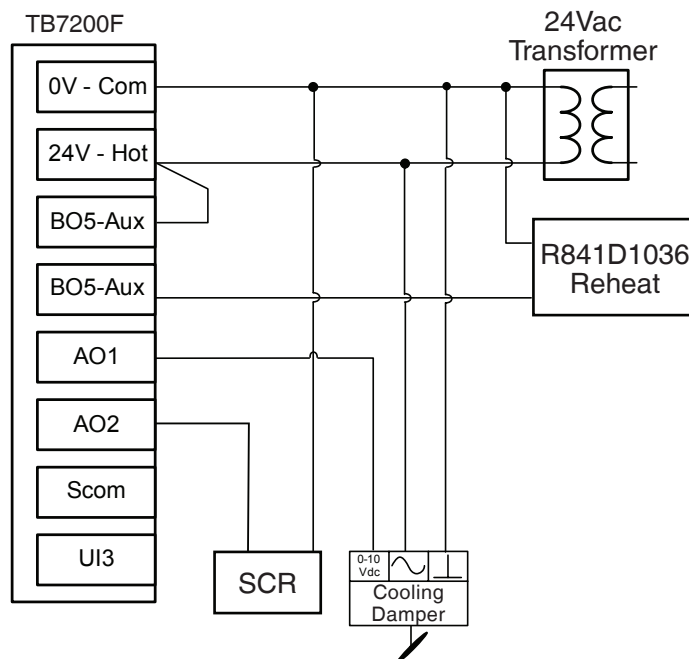
- During PIR activated stand-by periods, the stand-by heating and cooling setpoints are used.
- During PIR activated unoccupied periods, the unoccupied-by heating and cooling setpoints are used.

**Unoccupied mode:** During unoccupied periods, the unoccupied heating and cooling setpoints are used.

**Local override:** The thermostat will revert back to the occupied mode as specified by a configuration timer when a local override is requested at the thermostat.

**On a call for cooling:** The damper will modulate from closed to open according to demand.

**On a call for heating:** The damper will remain closed. The proportional heater will act as a first step and modulate from 0 to 100% capacity. The perimeter heater will operate as a second step.



## Options

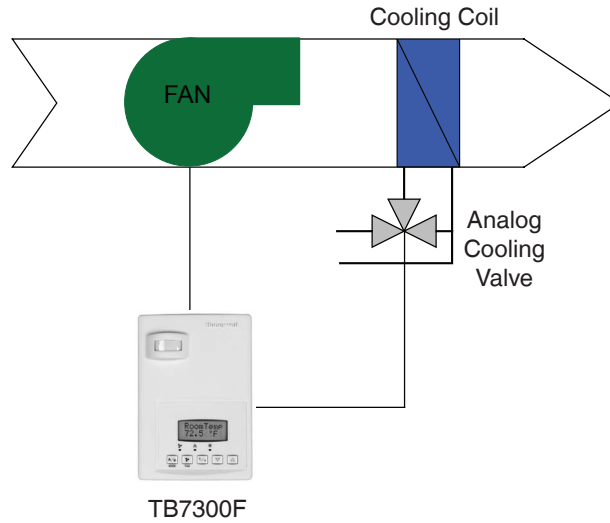
BACnet and Wireless models are available. See appendix B for more details.

Remote wall mounted sensor or a return air temperature sensor can be used instead of the internal temperature sensor of the thermostat. See appendix F for more details on available 10K ohm NTC Type II sensors.

On-Off control or 3 point floating control operation can be accomplished by using other models.

2 binary inputs and one universal input can be used and configured for advanced functionality as required by the application. E.g. discharge air sensor, door or window contact input, filter and service alarms, etc.

**TB7300F5514: COOLING ONLY:  
2-PIPE FANCOIL UNIT WITH SINGLE SPEED FAN AND AN ANALOG COOLING VALVE**



Bill of materials:  
Visit [customer.honeywell.com](http://customer.honeywell.com) for more details on Honeywell parts.

Thermostat: TB7300F5514

Cooling valve: See Appendix D

To enter configuration menu press and hold the override key for 8 seconds.

For full explanation of parameters refer to the TB7300 Series Installation Instructions (Form No. 62-2018).

Configuration parameter name	Configuration settings
PswrdSet	0 is factory set, range is: 0-1000
BI1	None
BI2	None
UI3	COS
MenuScro	ON
AutoMode	ON
C or F	As per user. Default value = °F
Lockout	As per user. Default value = 0 No lock
Pipe No	2.0
SeqOpera	0 = Cooling Only
Fan Menu	4
St-By TM	0.5 hours is factory set, range is: 0.0 to 24.0 hours in 0.5hr increments
Unocc TM	0.0 hours is factory set, range is: 0.0 to 24.0 hours in 0.5hr increments
St-By HT	69 °F is factory set, range is: 40 to 90 °F ( 4.5 to 32.0 °C )
St-By CL	78 °F is factory set, range is: 54 to 100 °F ( 12.0 to 37.5 °C )
Unocc HT	As per user. Default value = 62 °F ( 17 °C ). Range = 40 to 90 °F ( 4.5 to 32.0 °C )
Unocc CL	As per user. Default value = 80 °F ( 27 °C ). Range = 54 to 100 °F ( 12 to 37.5 °C )
heat max	As per user. Default value = 90 °F ( 32 °C ). Range = 40 to 90 °F ( 4.5 to 32.0 °C )
cool min	As per user. Default value = 54 °F ( 12 °C ). Range = 54 to 100 °F ( 12 to 37.5 °C )
Pband	2 °F is factory set, range is: 2 to 10 °F ( 0.6 to 5.6 °C )
Set Type	Permanent
SptFunc	Dual Stp or AttchStp
TOccTime	As per user. Default value 2 hours. Range = 0 to 24 hours
deadband	As per user. Default value 2.0 °F ( 1.0 °C ). Range = 2, 3, 4 or 5 °F, 1.0 °F increments ( 1.0 to 2.5 °C, 0.5 °C increments )
cal RS	0 °F or °C
cal RH	0 °F or °C
aux cont	0
Auto Fan	AS or AS AD
cph	N/A
RA/DA	As per Valve
Reheat	0. Not used in this application.
UI3 dis	Displays supply air temperature if installed



## Sequence of Operation and Wiring

**Occupied mode:** During occupied periods, the occupied heating and cooling setpoints are used.

**PIR activated stand-by and unoccupied modes:**

When equipped with a PIR (Passive Infrared) accessory cover the thermostat provides advanced active occupancy logic, which will automatically switch occupancy levels from occupied to stand-by to unoccupied when no motion is detected in the room:

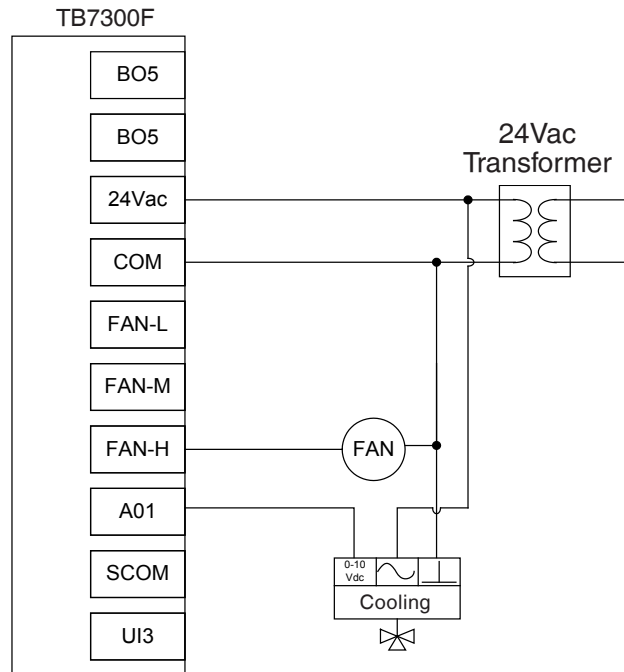
- During PIR activated stand-by periods, the stand-by heating and cooling setpoints are used.
- During PIR activated unoccupied periods, the unoccupied-by heating and cooling setpoints are used.

**Unoccupied mode:** During unoccupied periods, the unoccupied heating and cooling setpoints are used.

**Local override:** The thermostat will revert back to the occupied mode as specified by a configuration timer when a local override is requested at the thermostat.

**On a call for cooling:** The cooling valve will modulate from closed to open according to the demand.

**Fan mode operation:** The single speed fan can be set to either automatic on demand or always on.



## Options

BACnet and Wireless models are available. See appendix B for more details.

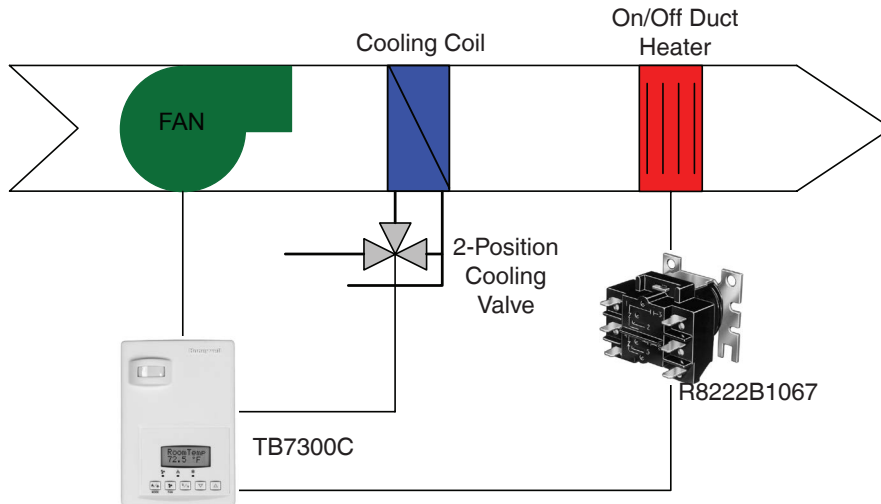
Remote wall mounted sensor or a return air temperature sensor can be used instead of the internal temperature sensor of the thermostat. See appendix F for more details on available 10K ohm NTC Type II sensors.

On-Off control or 3 point floating control operation can be accomplished by using other models.

2 binary inputs and one universal input can be used and configured for advanced functionality as required by the application. E.g. discharge air sensor, door or window contact input, filter and service alarms, etc.

Other fan mode configurations can be set for either single speed, dual speed or 3 speed fan mode operation.

## TB7300C5514: COOLING WITH REHEAT: 2-PIPE FANCOIL UNIT WITH 3-SPEED FAN, 2-POSITION VALVE AND ELECTRIC REHEAT



Bill of materials:  
Visit [customer.honeywell.com](http://customer.honeywell.com) for more details on Honeywell parts.

Thermostat: TB7300C5514

Low Voltage Relay: R8222B1067

Cooling valve: See Appendix D

To enter configuration menu press and hold the override key for 8 seconds.

For full explanation of parameters refer to the TB7300 Series Installation Instructions (Form No. 62-2018).

Configuration parameter name	Configuration settings
PswrdSet	0 is factory set, range is: 0-1000
BI1	None
BI2	None
UI3	None
MenuScro	ON
AutoMode	ON
C or F	As per user. Default value = °F
Lockout	As per user. Default value = 0 No lock
Pipe No	2.0
CntrlTyp	On/Off
SeqOpera	2 = Cooling with Reheat
Fan Menu	2
St-By TM	0.5 hours is factory set, range is: 0.0 to 24.0 hours in 0.5hr increments
Unocc TM	0.0 hours is factory set, range is: 0.0 to 24.0 hours in 0.5hr increments
St-By HT	69 °F is factory set, range is: 40 to 90 °F ( 4.5 to 32.0 °C )
St-By CL	78 °F is factory set, range is: 54 to 100 °F ( 12.0 to 37.5 °C )
Unocc HT	As per user. Default value = 62 °F ( 17 °C ). Range = 40 to 90 °F ( 4.5 to 32.0 °C )
Unocc CL	As per user. Default value = 80 °F ( 27 °C ). Range = 54 to 100 °F ( 12 to 37.5 °C )
heat max	As per user. Default value = 90 °F ( 32 °C ). Range = 40 to 90 °F ( 4.5 to 32.0 °C )
cool min	As per user. Default value = 54 °F ( 12 °C ). Range = 54 to 100 °F ( 12 to 37.5 °C )
Pband	2 °F is factory set, range is: 2 to 10 °F ( 0.6 to 5.6 °C )
Set Type	Permanent
SptFunc	Dual Stp or AttchStp
TOccTime	As per user. Default value 2 hours. Range = 0 to 24 hours
deadband	As per user. Default value 2.0 °F ( 1.0 °C ). Range = 2, 3, 4 or 5 °F, 1.0 °F increments ( 1.0 to 2.5 °C, 0.5 °C increments )
cal RS	0 °F or °C
cal RH	0 °F or °C
aux cont	0
Auto Fan	AS or AS AD
FL time	As per user. Default value = 1.5 minutes. Range 0.5 to 9.0 in 0.5 minutes increments
cph	N/A
Reheat	0 = 15 minutes for low voltage relays (0 = 4 CPH ON/OFF)
UI3 dis	Displays supply air temperature if installed

## Sequence of Operation and Wiring

**Occupied mode:** During occupied periods, the occupied heating and cooling setpoints are used.

**PIR activated stand-by and unoccupied modes:**

When equipped with a PIR (Passive Infrared) accessory cover the thermostat provides advanced active occupancy logic, which will automatically switch occupancy levels from occupied to stand-by to unoccupied when no motion is detected in the room:

- During PIR activated stand-by periods, the stand-by heating and cooling setpoints are used.
- During PIR activated unoccupied periods, the unoccupied-by heating and cooling setpoints are used.

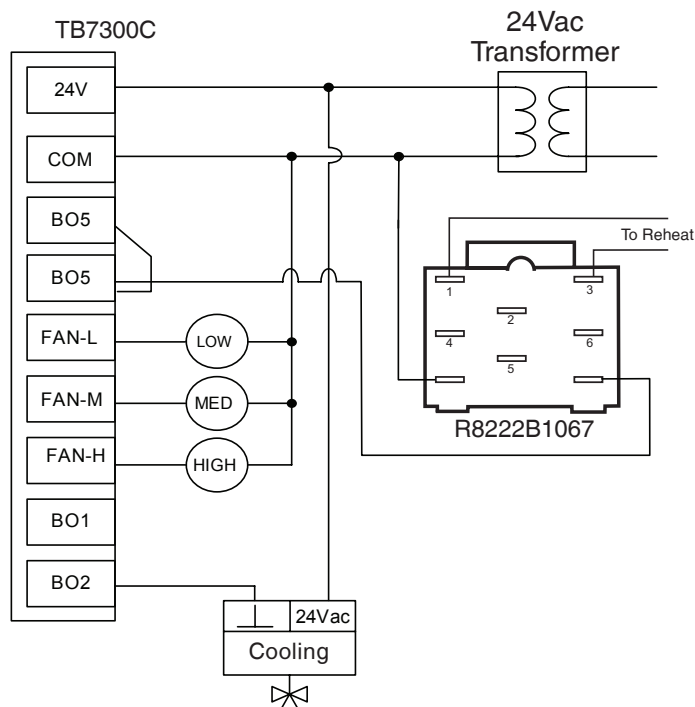
**Unoccupied mode:** During unoccupied periods, the unoccupied heating and cooling setpoints are used.

**Local override:** The thermostat will revert back to the occupied mode as specified by a configuration timer when a local override is requested at the thermostat.

**On a call for cooling:** The cooling valve will open according to demand.

**On a call for heating:** The duct heater will operate according to demand.

**Fan mode operation:** The 3 speed fan can be set to automatic speed on demand, or manually to low, medium or high speed.



## Options

BACnet and Wireless models are available. See appendix B for more details.

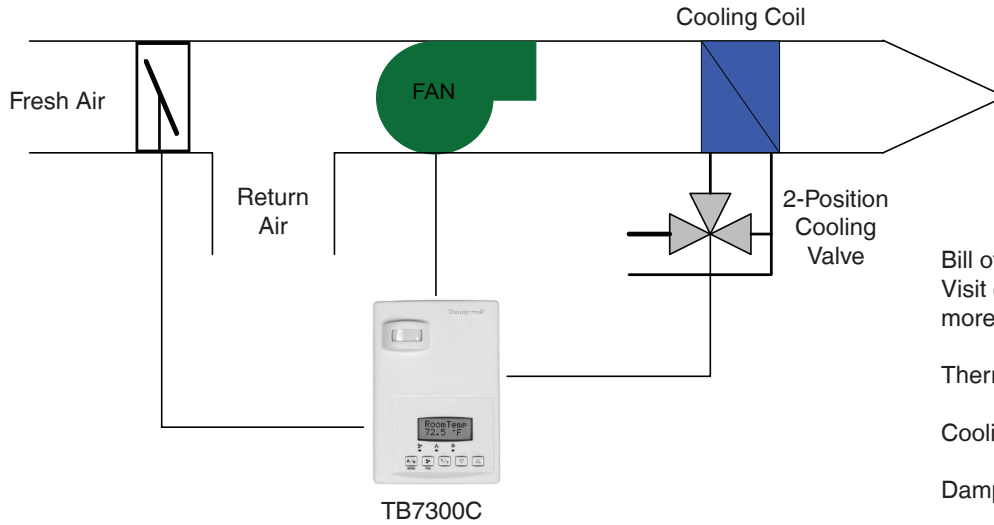
Remote wall mounted sensor or a return air temperature sensor can be used instead of the internal temperature sensor of the thermostat. See appendix F for more details on available 10K ohm NTC Type II sensors.

On-Off control or 3 point floating control operation can be accomplished by using other models.

2 binary inputs and one universal input can be used and configured for advanced functionality as required by the application. E.g. discharge air sensor, door or window contact input, filter and service alarms, etc.

Other fan mode configurations can be set for either single speed, dual speed or 3 speed fan mode operation.

**TB7300C5514: COOLING ONLY: 2-PIPE FANCOIL UNIT WITH SINGLE SPEED FAN, 2-POSITION COOLING VALVE AND MINIMUM FRESH AIR DAMPER**



Bill of materials:  
Visit [customer.honeywell.com](http://customer.honeywell.com) for more details on Honeywell parts.

Thermostat: TB7300C5514

Cooling valve: See Appendix D

Damper actuator: See Appendix E

To enter configuration menu press and hold the override key for 8 seconds.

For full explanation of parameters refer to the TB7300 Series Installation Instructions (Form No. 62-2018).

Configuration parameter name	Configuration settings
PswrdSet	0 is factory set, range is: 0-1000
BI1	None
BI2	None
UI3	None
MenuScro	ON
AutoMode	ON
C or F	As per user. Default value = °F
Lockout	As per user. Default value = 0 No lock
Pipe No	2.0
CntrlTyp	On/Off
SeqOpera	0 = Cooling only
Fan Menu	4
St-By TM	0.5 hours is factory set, range is: 0.0 to 24.0 hours in 0.5hr increments
Unocc TM	0.0 hours is factory set, range is: 0.0 to 24.0 hours in 0.5hr increments
St-By HT	69 °F is factory set, range is: 40 to 90 °F ( 4.5 to 32.0 °C )
St-By CL	78 °F is factory set, range is: 54 to 100 °F ( 12.0 to 37.5 °C )
Unocc HT	As per user. Default value = 62 °F ( 17 °C ). Range = 40 to 90 °F ( 4.5 to 32.0 °C )
Unocc CL	As per user. Default value = 80 °F ( 27 °C ). Range = 54 to 100 °F ( 12 to 37.5 °C )
heat max	As per user. Default value = 90 °F ( 32 °C ). Range = 40 to 90 °F ( 4.5 to 32.0 °C )
cool min	As per user. Default value = 54 °F ( 12 °C ). Range = 54 to 100 °F ( 12 to 37.5 °C )
Pband	2 °F is factory set, range is: 2 to 10 °F ( 0.6 to 5.6 °C )
Set Type	Permanent
SptFunc	Dual Stp or AttchStp
TOccTime	As per user. Default value 2 hours. Range = 0 to 24 hours
deadband	As per user. Default value 2.0 °F ( 1.0 °C ). Range = 2, 3, 4 or 5 °F, 1.0 °F increments ( 1.0 to 2.5 °C, 0.5 °C increments )
cal RS	0 °F or °C
cal RH	0 °F or °C
aux cont	1 (occupied=contact closed, unoccupied=contact open)
Auto Fan	AS or AS AD
FL time	As per user. Default value = 1.5 minutes. Range 0.5 to 9.0 in 0.5 minutes increments
cph	N/A
Reheat	0. Not used in this application.
UI3 dis	Displays supply air temperature if installed

## Sequence of Operation and Wiring

**Occupied mode:** During occupied periods, the occupied heating and cooling setpoints are used. The auxiliary contact will activate to open the minimum fresh air damper.

**PIR activated stand-by and unoccupied modes:**

When equipped with a PIR (Passive Infrared) accessory cover a thermostat provides advanced active occupancy logic, which will automatically switch occupancy levels from Occupied to Stand-By and then to unoccupied when no motion is detected in the area. The auxiliary contact will activate to open the minimum fresh air damper:

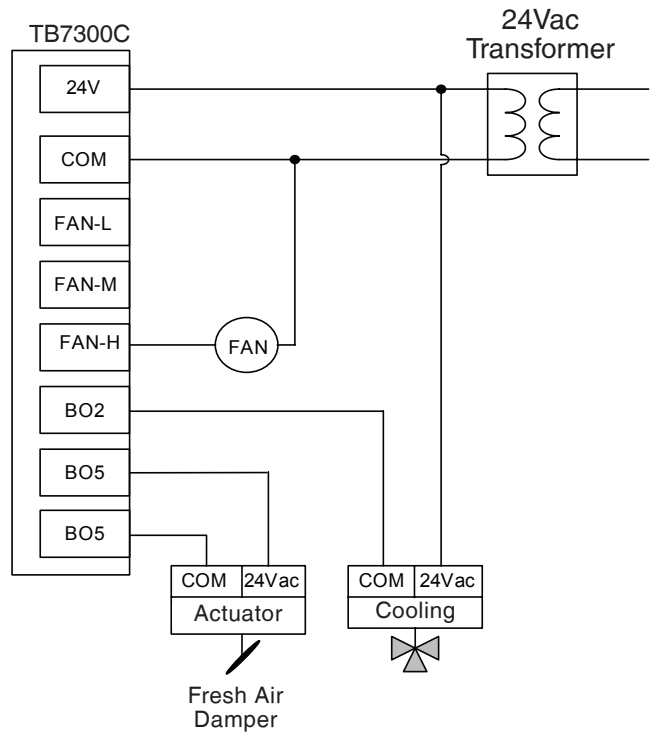
- During PIR activated stand-by periods, the stand-by heating and cooling setpoints are used.
- During PIR activated unoccupied periods, the unoccupied-by heating and cooling setpoints are used.

**Unoccupied mode:** During unoccupied periods, the unoccupied heating and cooling setpoints are used. The auxiliary contact will de-activate to close the minimum fresh air damper.

**Local override:** The thermostat will revert back to the occupied mode as specified by a configuration timer when a local override is performed at the thermostat. The auxiliary contract will activate to open the minimum fresh air damper.

**On a call for cooling:** The cooling valve will open according to demand.

**Fan mode operation:** The single speed fan can be set to either automatic on demand or always on.



## Options

BACnet and Wireless models are available. See appendix B for more details.

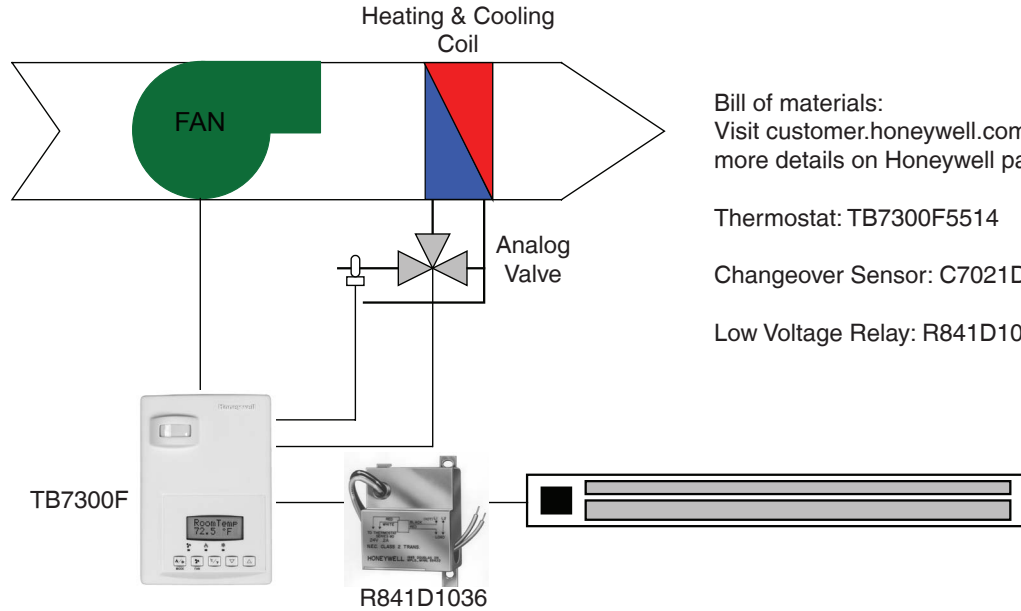
Remote wall mounted sensor or a return air temperature sensor can be used instead of the internal temperature sensor of the thermostat. See appendix F for more details on available 10K ohm NTC Type II sensors.

On-Off control or 3 point floating control operation can be accomplished by using other models.

2 binary inputs and one universal input can be used and configured for advanced functionality as required by the application. E.g. discharge air sensor, door or window contact input, filter and service alarms, etc.

Other fan mode configurations can be set for either single speed, dual speed or 3 speed fan mode operation.

**TB7300F5514: COOLING & HEATING WITH CHANGEOVER SENSOR AND REHEAT:  
2-PIPE FANCOIL UNIT WITH 3-SPEED FAN, ANALOG VALVE, AND ELECTRIC REHEAT**



Bill of materials:  
Visit [customer.honeywell.com](http://customer.honeywell.com) for more details on Honeywell parts.

Thermostat: TB7300F5514

Changeover Sensor: C7021D/C7021K

Low Voltage Relay: R841D1036

To enter configuration menu press and hold the override key for 8 seconds.

For full explanation of parameters refer to the TB7300 Series Installation Instructions (Form No. 62-2018).

Configuration parameter name	Configuration settings
PswrdSet	0 is factory set, range is: 0-1000
BI1	None
BI2	None
UI3	COS
MenuScro	ON
AutoMode	ON
C or F	As per user. Default value = °F
Lockout	As per user. Default value = 0 No lock
Pipe No	2.0
SeqOpera	2 = Cooling with Reheat
Fan Menu	2
St-By TM	0.5 hours is factory set, range is: 0.0 to 24.0 hours in 0.5hr increments
Unocc TM	0.0 hours is factory set, range is: 0.0 to 24.0 hours in 0.5hr increments
St-By HT	69 °F is factory set, range is: 40 to 90 °F ( 4.5 to 32.0 °C )
St-By CL	78 °F is factory set, range is: 54 to 100 °F ( 12.0 to 37.5 °C )
Unocc HT	As per user. Default value = 62 °F ( 17 °C ). Range = 40 to 90 °F ( 4.5 to 32.0 °C )
Unocc CL	As per user. Default value = 80 °F ( 27 °C ). Range = 54 to 100 °F ( 12 to 37.5 °C )
heat max	As per user. Default value = 90 °F ( 32 °C ). Range = 40 to 90 °F ( 4.5 to 32.0 °C )
cool min	As per user. Default value = 54 °F ( 12 °C ). Range = 54 to 100 °F ( 12 to 37.5 °C )
Pband	2 °F is factory set, range is: 2 to 10 °F ( 0.6 to 5.6 °C )
Set Type	Permanent
SptFunc	Dual Stp or AttchStp
TOccTime	As per user. Default value 2 hours. Range = 0 to 24 hours
deadband	As per user. Default value 2.0 °F ( 1.0 °C ). Range = 2, 3, 4 or 5 °F, 1.0 °F increments ( 1.0 to 2.5 °C, 0.5 °C increments )
cal RS	0 °F or °C
cal RH	0 °F or °C
aux cont	0
Auto Fan	AS or AS AD
RA/DA	As per Valve
Reheat	0 = 15 minutes for low voltage relays (0 = 4 CPH ON/OFF)
UI3 dis	Displays supply air temperature if installed

## Sequence of Operation and Wiring

**Occupied mode:** During occupied periods, the occupied heating and cooling setpoints are used.

**PIR activated stand-by and unoccupied modes:**

When equipped with a PIR (Passive Infrared) accessory cover the thermostat provides advanced active occupancy logic, which will automatically switch occupancy levels from occupied to stand-by to unoccupied when no motion is detected in the room:

- During PIR activated stand-by periods, the stand-by heating and cooling setpoints are used.
- During PIR activated unoccupied periods, the unoccupied-by heating and cooling setpoints are used.

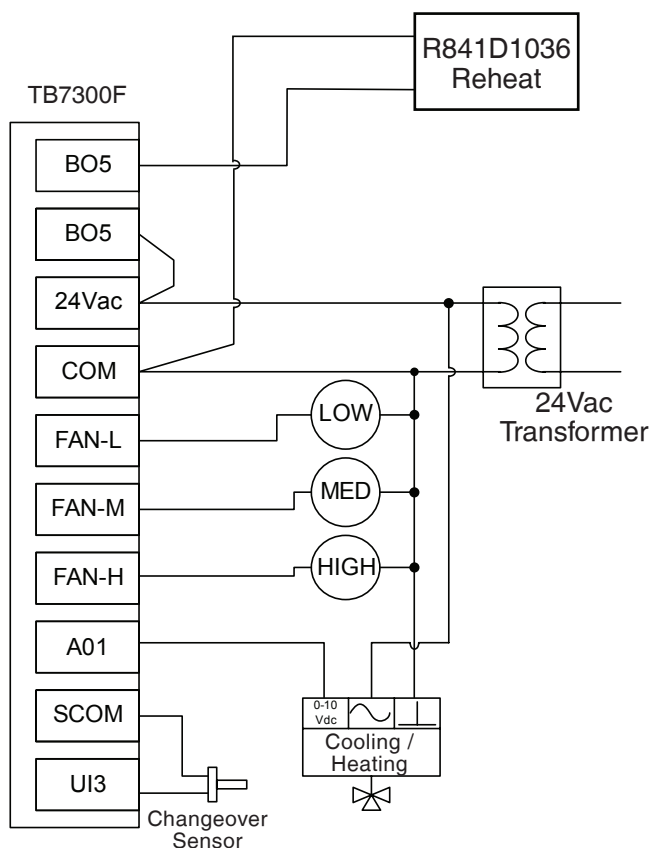
**Unoccupied mode:** During unoccupied periods, the unoccupied heating and cooling setpoints are used.

**Local override:** The thermostat will revert back to the occupied mode as specified by a configuration timer when a local override is requested at the thermostat.

**On a call for cooling:** If the supply water temperature is less than 75F, the valve will modulate from closed to open according to demand. If the water supply temperature is greater than 77F, the valve will remain closed.

**On a call for heating:** If the supply water temperature is greater than 77F, the valve will modulate from closed to open according to demand. If the water supply temperature is less than 75F, the valve will remain closed. The perimeter heater will operate as a second step.

**Fan mode operation:** The 3 speed fan can be set to automatic speed on demand, or manually to low, medium or high speed.



## Options

BACnet and Wireless models are available. See appendix B for more details.

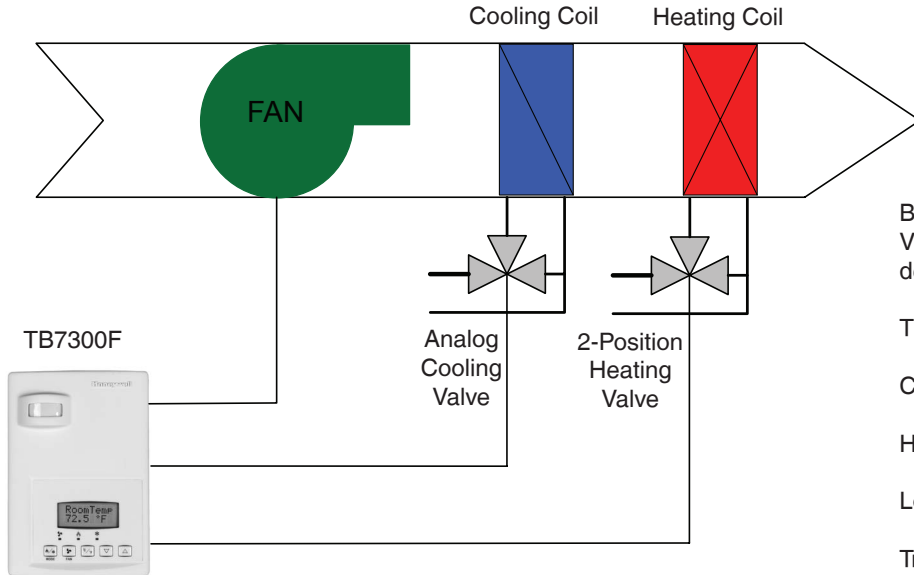
Remote wall mounted sensor or a return air temperature sensor can be used instead of the internal temperature sensor of the thermostat. See appendix F for more details on available 10K ohm NTC Type II sensors.

On-Off control or 3 point floating control operation can be accomplished by using other models.

2 binary inputs and one universal input can be used and configured for advanced functionality as required by the application. E.g. discharge air sensor, door or window contact input, filter and service alarms, etc.

Other fan mode configurations can be set for either single speed, dual speed or 3 speed fan mode operation.

## TB7300F5514: COOLING WITH REHEAT: LINE VOLTAGE 4-PIPE FANCOIL UNIT WITH 3-SPEED FAN, ANALOG COOLING VALVE AND ON/OFF HEATING VALVE



Bill of materials:  
Visit [customer.honeywell.com](http://customer.honeywell.com) for more details on Honeywell parts.

Thermostat: TB7300F5514

Cooling valve: See Appendix D

Heating valve: See Appendix D

Low voltage relays: 4 ea. R8222B1067

Transformer: 120 Vac to 24 Vac transformer

To enter configuration menu press and hold the override key for 8 seconds.

For full explanation of parameters refer to the TB7300 Series Installation Instructions (Form No. 62-2018).

Configuration parameter name	Configuration settings
PswrdSet	0 is factory set, range is: 0-1000
BI1	None
BI2	None
UI3	None
MenuScro	ON
AutoMode	ON
C or F	As per user. Default value = °F
Lockout	As per user. Default value = 0 No lock
Pipe No	4.0
SeqOpera	2 = Cooling with Reheat
Fan Menu	2
St-By TM	0.5 hours is factory set, range is: 0.0 to 24.0 hours in 0.5hr increments
Unocc TM	0.0 hours is factory set, range is: 0.0 to 24.0 hours in 0.5hr increments
St-By HT	69 °F is factory set, range is: 40 to 90 °F ( 4.5 to 32.0 °C )
St-By CL	78 °F is factory set, range is: 54 to 100 °F ( 12.0 to 37.5 °C )
Unocc HT	As per user. Default value = 62 °F ( 17 °C ). Range = 40 to 90 °F ( 4.5 to 32.0 °C )
Unocc CL	As per user. Default value = 80 °F ( 27 °C ). Range = 54 to 100 °F ( 12 to 37.5 °C )
heat max	As per user. Default value = 90 °F ( 32 °C ). Range = 40 to 90 °F ( 4.5 to 32.0 °C )
cool min	As per user. Default value = 54 °F ( 12 °C ). Range = 54 to 100 °F ( 12 to 37.5 °C )
Pband	2 °F is factory set, range is: 2 to 10 °F ( 0.6 to 5.6 °C )
Set Type	Permanent
SptFunc	Dual Stp or AttchStp
TOccTime	As per user. Default value 2 hours. Range = 0 to 24 hours
deadband	As per user. Default value 2.0 °F ( 1.0 °C ). Range = 2, 3, 4 or 5 °F, 1.0 °F increments ( 1.0 to 2.5 °C, 0.5 °C increments )
cal RS	0 °F or °C
cal RH	0 °F or °C
aux cont	0
Auto Fan	AS or AS AD
RA/DA	As per Valve
Reheat	0 = 15 minutes for low voltage relays (0 = 4 CPH ON/OFF)
UI3 dis	Displays supply air temperature if installed



## Sequence of Operation and Wiring

**Occupied mode:** During occupied periods, the occupied heating and cooling setpoints are used.

**PIR activated stand-by and unoccupied modes:** When equipped with a PIR (Passive Infrared) accessory cover the thermostat provides advanced active occupancy logic, which will automatically switch occupancy levels from occupied to stand-by to unoccupied when no motion is detected in the room.

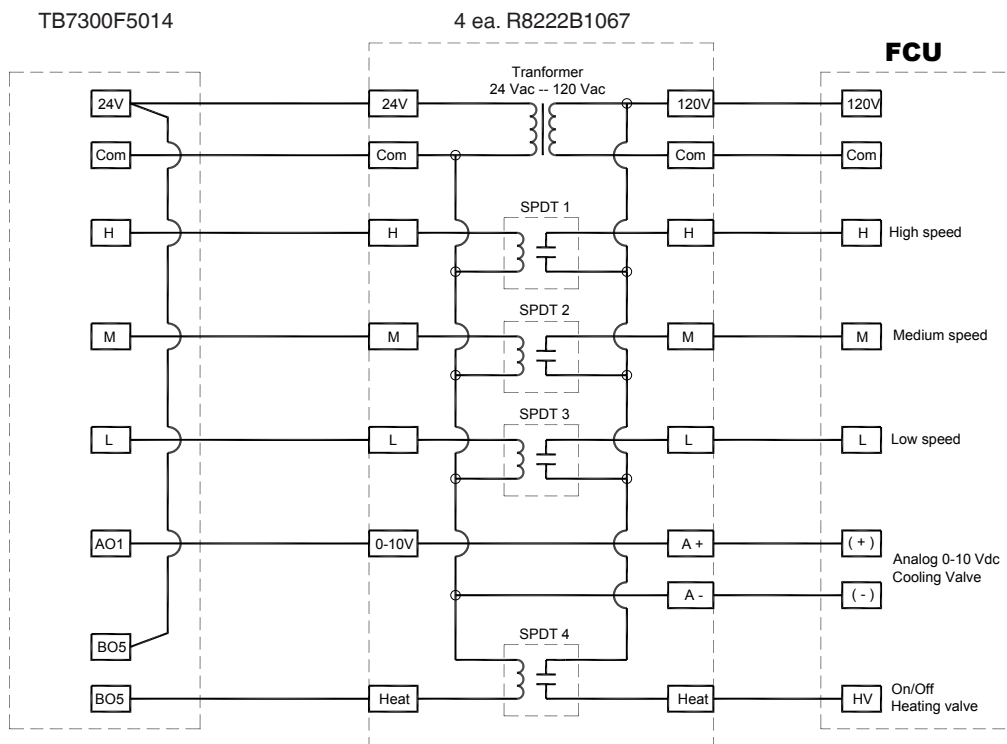
- During PIR activated stand-by periods, the stand-by heating and cooling setpoints are used.
- During PIR activated unoccupied periods, the unoccupied-by heating and cooling setpoints are used.

**Unoccupied mode:** During unoccupied periods, the unoccupied heating and cooling setpoints are used.

**Local override:** The thermostat will revert back to the occupied mode as specified by a configuration timer when a local override is requested at the thermostat.

**On a call for cooling:** The cooling valve will modulate from closed to open according to the demand.

**On a call for heating:** The heating valve will open according to demand.



## Options

BACnet and Wireless models are available. See appendix B for more details.

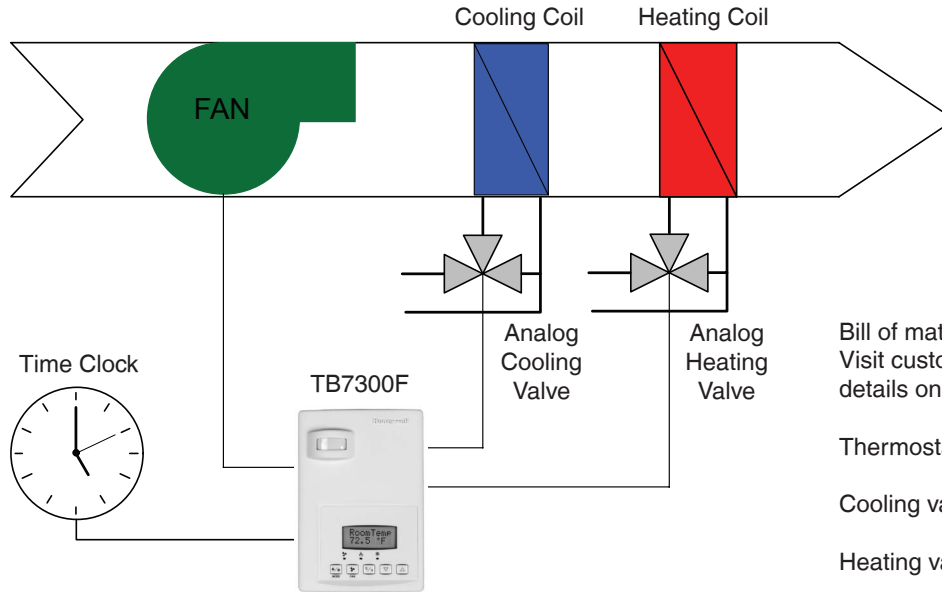
Remote wall mounted sensor or a return air temperature sensor can be used instead of the internal temperature sensor of the thermostat. See appendix F for more details on available 10K ohm NTC Type II sensors.

On-Off control or 3 point floating control operation can be accomplished by using other models.

2 binary inputs and one universal input can be used and configured for advanced functionality as required by the application. E.g. discharge air sensor, door or window contact input, filter and service alarms, etc.

Other fan mode configurations can be set for either single speed, dual speed or 3 speed fan mode operation.

## TB7300F5514: COOLING & HEATING: 4-PIPE FANCOIL UNIT WITH SINGLE SPEED FAN, 0-10VDC ANALOG COOLING AND HEATING VALVES AND EXTERNAL TIME CLOCK



Bill of materials:  
Visit [customer.honeywell.com](http://customer.honeywell.com) for more details on Honeywell parts.

Thermostat: TB7300F5514

Cooling valve: See Appendix D

Heating valve: See Appendix D

Time clock: By others

To enter configuration menu press and hold the override key for 8 seconds.

For full explanation of parameters refer to the TB7300 Series Installation Instructions (Form No. 62-2018).

Configuration parameter name	Configuration settings
PswrdSet	0 is factory set, range is: 0-1000
BI1	Rem NSB
BI2	None
UI3	None
MenuScro	ON
AutoMode	ON
C or F	As per user. Default value = °F
Lockout	As per user. Default value = 0 No lock
Pipe No	4.0
SeqOpera	4 = Cooling and heating
Fan Menu	4 = On-Auto
St-By TM	0.5 hours is factory set, range is: 0.0 to 24.0 hours in 0.5hr increments
Unocc TM	0.0 hours is factory set, range is: 0.0 to 24.0 hours in 0.5hr increments
St-By HT	69 °F is factory set, range is: 40 to 90 °F ( 4.5 to 32.0 °C )
St-By CL	78 °F is factory set, range is: 54 to 100 °F ( 12.0 to 37.5 °C )
Unocc HT	As per user. Default value = 62 °F ( 17 °C ). Range = 40 to 90 °F ( 4.5 to 32.0 °C )
Unocc CL	As per user. Default value = 80 °F ( 27 °C ). Range = 54 to 100 °F ( 12 to 37.5 °C )
heat max	As per user. Default value = 90 °F ( 32 °C ). Range = 40 to 90 °F ( 4.5 to 32.0 °C )
cool min	As per user. Default value = 54 °F ( 12 °C ). Range = 54 to 100 °F ( 12 to 37.5 °C )
Pband	2 °F is factory set, range is: 2 to 10 °F ( 0.6 to 5.6 °C )
Set Type	Permanent
SptFunc	Dual Stp or AttchStp
TOccTime	As per user. Default value 2 hours. Range = 0 to 24 hours
deadband	As per user. Default value 2.0 °F ( 1.0 °C ). Range = 2, 3, 4 or 5 °F, 1.0 °F increments ( 1.0 to 2.5 °C, 0.5 °C increments )
cal RS	0 °F or °C
cal RH	0 °F or °C
aux cont	0
Auto Fan	AS or AS AD
RA/DA	As per Valve
Reheat	0. Not used in this application.
UI3 dis	Displays supply air temperature if installed

## Sequence of Operation and Wiring

### Occupancy command from an external time clock:

The occupancy is controlled by an external 24 Vac time clock:

- When the contact of the time clock closes on binary input #1 (B11), the thermostat will be in occupied mode.
- When the contact of the time clock opens on binary input #1 (B11), the thermostat will be in unoccupied mode.

**Occupied mode:** During occupied periods, the occupied heating and cooling setpoints are used.

### PIR activated stand-by and unoccupied modes:

When equipped with a PIR (Passive Infrared) accessory cover the thermostat provides advanced active occupancy logic, which will automatically switch occupancy levels from occupied to stand-by to unoccupied when no motion is detected in the room:

- During PIR activated stand-by periods, the stand-by heating and cooling setpoints are used.
- During PIR activated unoccupied periods, the unoccupied-by heating and cooling setpoints are used.

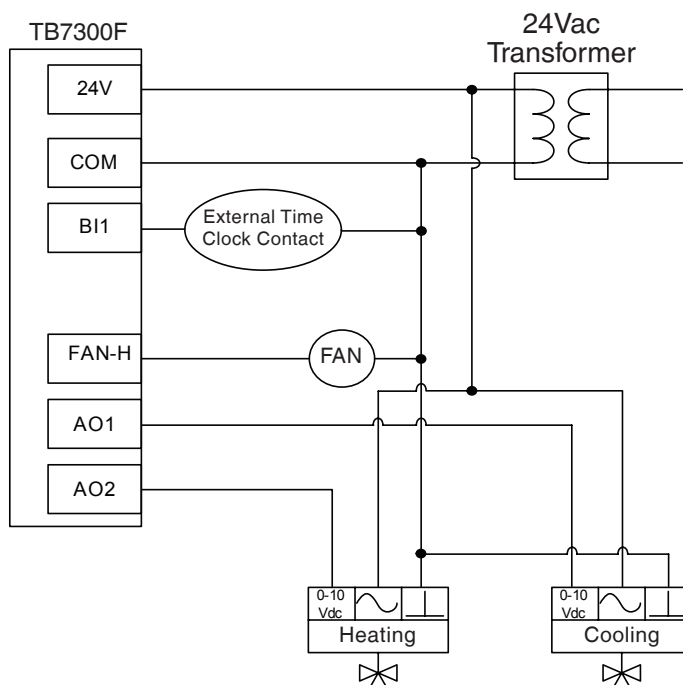
**Unoccupied mode:** During unoccupied periods, the unoccupied heating and cooling setpoints are used.

**Local override:** The thermostat will revert back to the occupied mode as specified by a configuration timer when a local override is requested at the thermostat.

**On a call for heating:** The heating valve will modulate from closed to open according to the demand.

**On a call for cooling:** The cooling valve will modulate from closed to open according to the demand.

**Fan mode operation:** The single speed fan can be set to either automatic on demand or always on.



## Options

BACnet and Wireless models are available. See appendix B for more details.

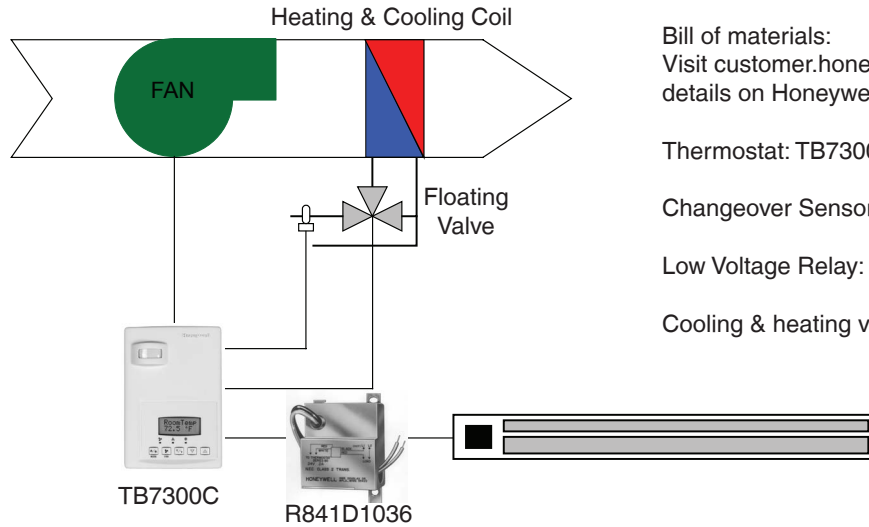
Remote wall mounted sensor or a return air temperature sensor can be used instead of the internal temperature sensor of the thermostat. See appendix F for more details on available 10K ohm NTC Type II sensors.

On-Off control or 3 point floating control operation can be accomplished by using other models.

2 binary inputs and one universal input can be used and configured for advanced functionality as required by the application. E.g. discharge air sensor, door or window contact input, filter and service alarms, etc.

Other fan mode configurations can be set for either single speed, dual speed or 3 speed fan mode operation.

## TB7300C5514: COOLING & HEATING WITH CHANGEOVER AND REHEAT: 2-PIPE FANCOIL WITH 3-SPEED FAN, TRI-STATE FLOATING VALVE AND ELECTRIC REHEAT.



Bill of materials:  
Visit [customer.honeywell.com](http://customer.honeywell.com) for more details on Honeywell parts.

Thermostat: TB7300F5514

Changeover Sensor: C7021D/C7021K

Low Voltage Relay: R841D1036

Cooling & heating valve: See Appendix D

To enter configuration menu press and hold the override key for 8 seconds.

For full explanation of parameters refer to the TB7300 Series Installation Instructions (Form No. 62-2018).

Configuration parameter name	Configuration settings
PswrdSet	0 is factory set, range is: 0-1000
BI1	None
BI2	None
UI3	COS
MenuScro	ON
AutoMode	ON
C or F	As per user. Default value = °F
Lockout	As per user. Default value = 0 No lock
Pipe No	2.0
CntrlTyp	Floating
SeqOpera	2 = Cooling with Reheat
Fan Menu	2
St-By TM	0.5 hours is factory set, range is: 0.0 to 24.0 hours in 0.5hr increments
Unocc TM	0.0 hours is factory set, range is: 0.0 to 24.0 hours in 0.5hr increments
St-By HT	69 °F is factory set, range is: 40 to 90 °F ( 4.5 to 32.0 °C )
St-By CL	78 °F is factory set, range is: 54 to 100 °F ( 12.0 to 37.5 °C )
Unocc HT	As per user. Default value = 62 °F ( 17 °C ). Range = 40 to 90 °F ( 4.5 to 32.0 °C )
Unocc CL	As per user. Default value = 80 °F ( 27 °C ). Range = 54 to 100 °F ( 12 to 37.5 °C )
heat max	As per user. Default value = 90 °F ( 32 °C ). Range = 40 to 90 °F ( 4.5 to 32.0 °C )
cool min	As per user. Default value = 54 °F ( 12 °C ). Range = 54 to 100 °F ( 12 to 37.5 °C )
Pband	2 °F is factory set, range is: 2 to 10 °F ( 0.6 to 5.6 °C )
Set Type	Permanent
SptFunc	Dual Stp or AttchStp
TOccTime	As per user. Default value 2 hours. Range = 0 to 24 hours
deadband	As per user. Default value 2.0 °F ( 1.0 °C ). Range = 2, 3, 4 or 5 °F, 1.0 °F increments ( 1.0 to 2.5 °C, 0.5 °C increments )
cal RS	0 °F or °C
cal RH	0 °F or °C
aux cont	0
Auto Fan	AS or AS AD
FL time	As per user. Default value = 1.5 minutes. Range 0.5 to 9.0 in 0.5 minutes increments
cph	N/A
Reheat	0 = 15 minutes for low voltage relays (0 = 4 CPH ON/OFF)
UI3 dis	Displays supply air temperature if installed

## Sequence of Operation and Wiring

**Occupied mode:** During occupied periods, the occupied heating and cooling setpoints are used.

**PIR activated stand-by and unoccupied modes:**

When equipped with a PIR (Passive Infrared) accessory cover the thermostat provides advanced active occupancy logic, which will automatically switch occupancy levels from occupied to stand-by to unoccupied when no motion is detected in the room:

- During PIR activated stand-by periods, the stand-by heating and cooling setpoints are used.
- During PIR activated unoccupied periods, the unoccupied-by heating and cooling setpoints are used.

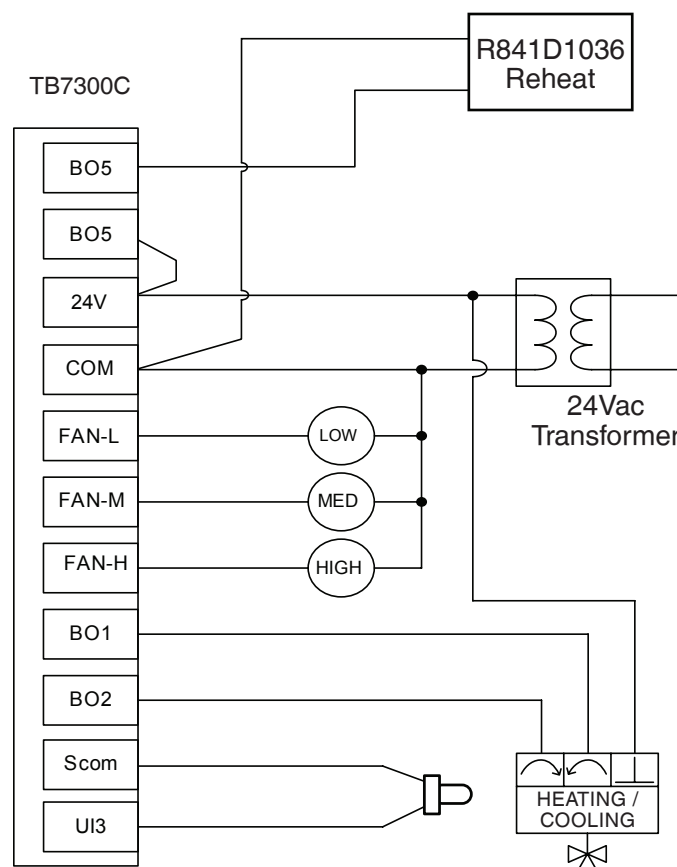
**Unoccupied mode:** During unoccupied periods, the unoccupied heating and cooling setpoints are used.

**Local override:** The thermostat will revert back to the occupied mode as specified by a configuration timer when a local override is requested at the thermostat.

**On a call for cooling:** If the supply water temperature is less than 75F, the valve will modulate from closed to open according to demand. If the water supply temperature is greater than 77F, the valve will remain closed.

**On a call for heating:** If the supply water temperature is greater than 77F, the valve will modulate from closed to open according to demand. If the water supply temperature is less than 75F, the valve will remain closed. The perimeter heater will operate as a second step.

**Fan mode operation:** The 3 speed fan can be set to automatic speed on demand, or manually to low, medium or high speed.



Note: Actuator Common wires to 24V - Hot terminal.

## Options

BACnet and Wireless models are available. See appendix B for more details.

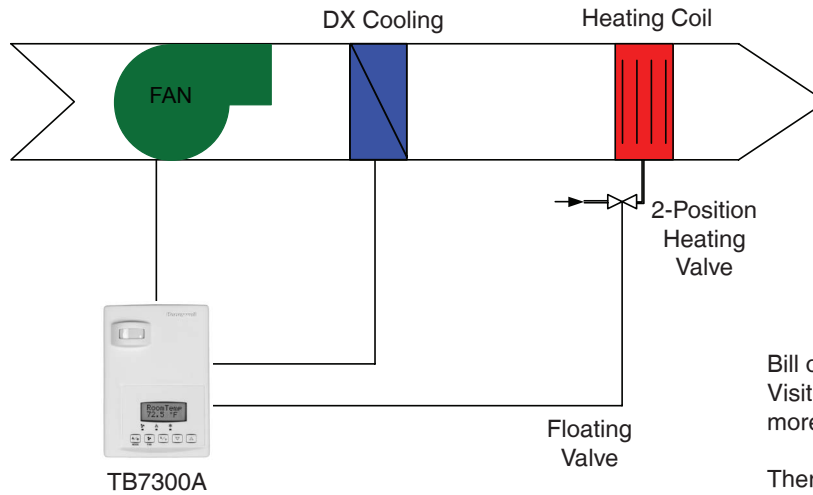
Remote wall mounted sensor or a return air temperature sensor can be used instead of the internal temperature sensor of the thermostat. See appendix F for more details on available 10K ohm NTC Type II sensors.

On-Off control or 3 point floating control operation can be accomplished by using other models.

2 binary inputs and one universal input can be used and configured for advanced functionality as required by the application. E.g. discharge air sensor, door or window contact input, filter and service alarms, etc.

Other fan mode configurations can be set for either single speed, dual speed or 3 speed fan mode operation.

## TB7300A5514: HEATING & COOLING: FANCOIL UNIT WITH 2-SPEED FAN, DX COOLING AND 2-POSITION VALVE FOR HEATING COIL



Bill of materials:  
Visit [customer.honeywell.com](http://customer.honeywell.com) for more details on Honeywell parts.

Thermostat: TB7300A5514

Heating valve: See Appendix D

To enter configuration menu press and hold the override key for 8 seconds.

For full explanation of parameters refer to the TB7300 Series Installation Instructions (Form No. 62-2018).

Configuration parameter name	Configuration settings
PswrdSet	0 is factory set, range is: 0-1000
BI1	None
BI2	None
UI3	None
MenuScro	ON
AutoMode	ON
C or F	As per user. Default value = °F
Lockout	As per user. Default value = 0 No lock
Pipe No	4.0
SeqOpera	4 = Cooling / Heating 4 pipes
Fan Menu	1 = Low-High
St-By TM	0.5 hours is factory set, range is: 0.0 to 24.0 hours in 0.5hr increments
Unocc TM	0.0 hours is factory set, range is: 0.0 to 24.0 hours in 0.5hr increments
St-By HT	69 °F is factory set, range is: 40 to 90 °F ( 4.5 to 32.0 °C )
St-By CL	78 °F is factory set, range is: 54 to 100 °F ( 12.0 to 37.5 °C )
Unocc HT	As per user. Default value = 62 °F ( 17 °C ). Range = 40 to 90 °F ( 4.5 to 32.0 °C )
Unocc CL	As per user. Default value = 80 °F ( 27 °C ). Range = 54 to 100 °F ( 12 to 37.5 °C )
heat max	As per user. Default value = 90 °F ( 32 °C ). Range = 40 to 90 °F ( 4.5 to 32.0 °C )
cool min	As per user. Default value = 54 °F ( 12 °C ). Range = 54 to 100 °F ( 12 to 37.5 °C )
Pband	2 °F is factory set, range is: 2 to 10 °F ( 0.6 to 5.6 °C )
Set Type	Permanent
SptFunc	Dual Stp or AttchStp
TOccTime	As per user. Default value 2 hours. Range = 0 to 24 hours
deadband	As per user. Default value 2.0 °F ( 1.0 °C ). Range = 2, 3, 4 or 5 °F, 1.0 °F increments ( 1.0 to 2.5 °C, 0.5 °C increments )
cal RS	0 °F or °C
aux cont	0
Auto Fan	AS or AS AD
FL time	As per user. Default value = 1.5 minutes. Range 0.5 to 9.0 in 0.5 minutes increments
cph	N/A
Reheat	0. Not used in this application.
UI3 dis	Displays supply air temperature if installed

## Sequence of Operation and Wiring

**Occupied mode:** During occupied periods, the occupied heating and cooling setpoints are used.

**PIR activated stand-by and unoccupied modes:** When equipped with a PIR (Passive Infrared) accessory cover the thermostat provides advanced active occupancy logic, which will automatically switch occupancy levels from occupied to stand-by to unoccupied when no motion is detected in the room:

- During PIR activated stand-by periods, the stand-by heating and cooling setpoints are used.
- During PIR activated unoccupied periods, the unoccupied-by heating and cooling setpoints are used.

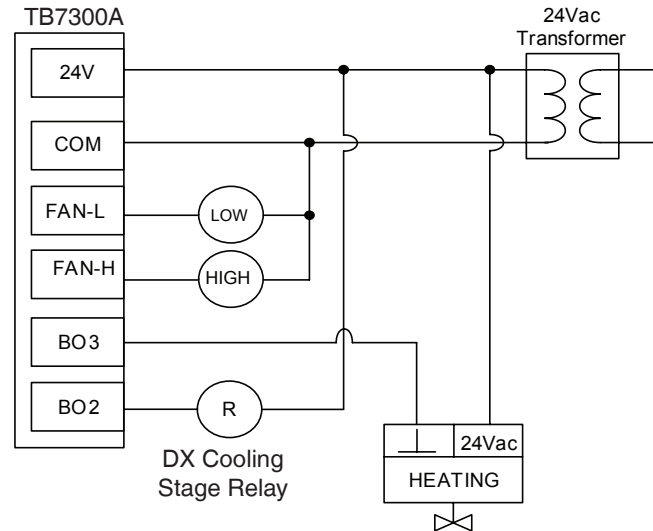
**Unoccupied mode:** During unoccupied periods, the unoccupied heating and cooling setpoints are used.

**Local override:** The thermostat will revert back to the occupied mode as specified by a configuration timer when a local override is requested at the thermostat.

**On a call for cooling:** The cooling relay will operate the DX cooling stage according to demand.

**On a call for heating:** The heating valve will open according to demand.

**Fan mode operation:** The 2 speed fan can be set either to automatic speed on demand or manually to either low or medium speed.



## Options

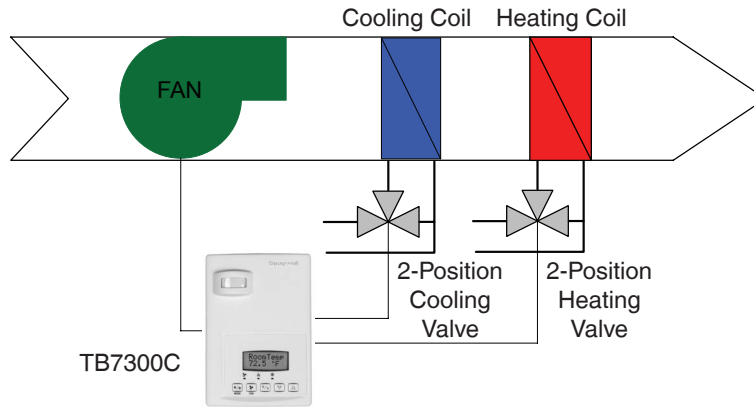
BACnet and Wireless models are available. See appendix B for more details.

On-Off control or 3 point floating control operation can be accomplished by using other models.

2 binary inputs and one universal input can be used and configured for advanced functionality as required by the application. E.g. discharge air sensor, door or window contact input, filter and service alarms, etc.

Other fan mode configurations can be set for either single speed, dual speed or 3 speed fan mode operation.

## TB7300C5514: 4-PIPE FANCOIL UNIT LINE VOLTAGE TO LOW VOLTAGE WITH 3-SPEED FAN, 2-POSITION VALVES



Bill of materials:  
Visit [customer.honeywell.com](http://customer.honeywell.com) for more details on Honeywell parts.

Thermostat: TB7300C5514

Relay: W6380B1005

Heating valve: See Appendix D

Cooling valve: See Appendix D

To enter configuration menu press and hold the override key for 8 seconds.

For full explanation of parameters refer to the TB7300 Series Installation Instructions (Form No. 62-2018).

Configuration parameter name	Configuration settings
PswrdSet	0 is factory set, range is: 0-1000
BI1	None
BI2	None
UI3	None
MenuScro	ON
AutoMode	ON
C or F	As per user. Default value = °F
Lockout	As per user. Default value = 0 No lock
Pipe No	4.0
CntrlTyp	On/Off
SeqOpera	4 = Cooling / Heating 4 pipes
Fan Menu	2
St-By TM	0.5 hours is factory set, range is: 0.0 to 24.0 hours in 0.5hr increments
Unocc TM	0.0 hours is factory set, range is: 0.0 to 24.0 hours in 0.5hr increments
St-By HT	69 °F is factory set, range is: 40 to 90 °F ( 4.5 to 32.0 °C )
St-By CL	78 °F is factory set, range is: 54 to 100 °F ( 12.0 to 37.5 °C )
Unocc HT	As per user. Default value = 62 °F ( 17 °C ). Range = 40 to 90 °F ( 4.5 to 32.0 °C )
Unocc CL	As per user. Default value = 80 °F ( 27 °C ). Range = 54 to 100 °F ( 12 to 37.5 °C )
heat max	As per user. Default value = 90 °F ( 32 °C ). Range = 40 to 90 °F ( 4.5 to 32.0 °C )
cool min	As per user. Default value = 54 °F ( 12 °C ). Range = 54 to 100 °F ( 12 to 37.5 °C )
Pband	2 °F is factory set, range is: 2 to 10 °F ( 0.6 to 5.6 °C )
Set Type	Permanent
SptFunc	Dual Stp or AttchStp
TOccTime	As per user. Default value 2 hours. Range = 0 to 24 hours
deadband	As per user. Default value 2.0 °F ( 1.0 °C ). Range = 2, 3, 4 or 5 °F, 1.0 °F increments ( 1.0 to 2.5 °C, 0.5 °C increments )
aux cont	0
Auto Fan	AS or AS AD
FL time	As per user. Default value = 1.5 minutes. Range 0.5 to 9.0 in 0.5 minutes increments
cph	As per user. 4 to 8 CPH
Reheat	0. Not used in this application.
UI3 dis	Displays supply air temperature if installed



## Sequence of Operation and Wiring

**Occupied mode:** During occupied periods, the occupied heating and cooling setpoints are used.

**PIR activated stand-by and unoccupied modes:** When equipped with a PIR (Passive Infrared) accessory cover the thermostat provides advanced active occupancy logic, which will automatically switch occupancy levels from occupied to stand-by to unoccupied when no motion is detected in the room:

- During PIR activated stand-by periods, the stand-by heating and cooling setpoints are used.
- During PIR activated unoccupied periods, the unoccupied-by heating and cooling setpoints are used.

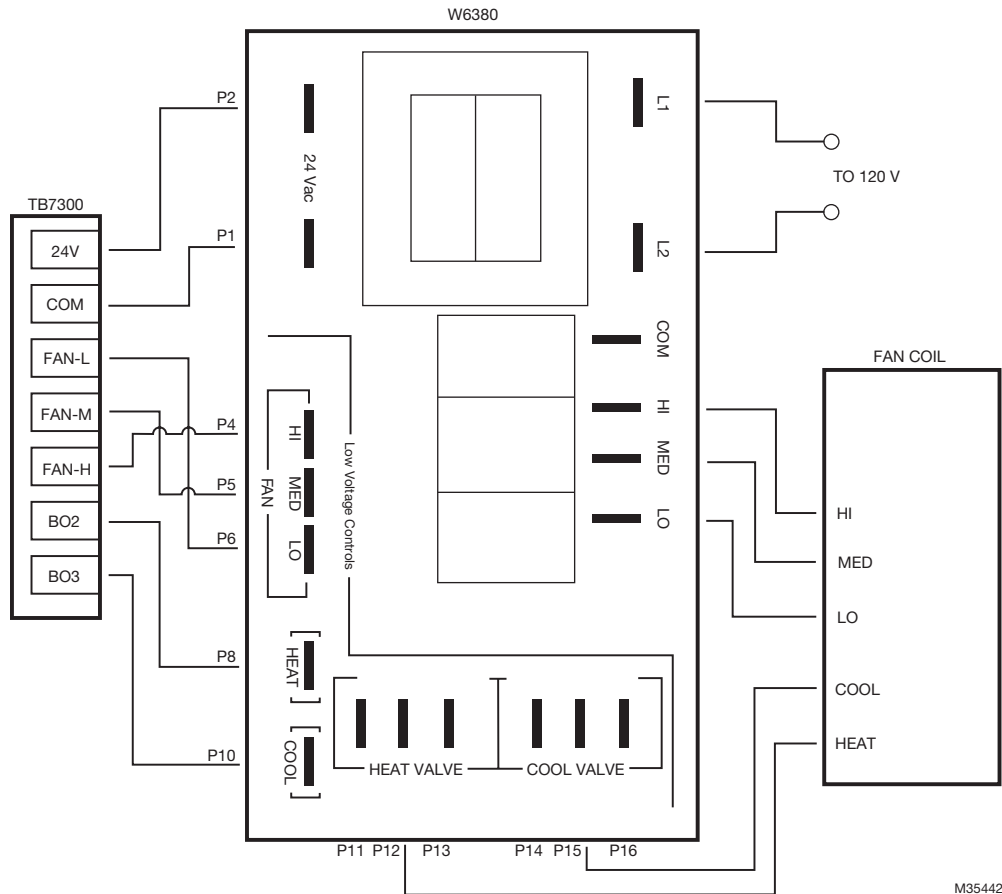
**Unoccupied mode:** During unoccupied periods, the unoccupied heating and cooling setpoints are used.

**Local override:** The thermostat will revert back to the occupied mode as specified by a configuration timer when a local override is requested at the thermostat.

**On a call for heating:** The heating valve will open according to demand.

**On a call for cooling:** The cooling valve will modulate from closed to open according to demand.

**Fan mode operation:** The 3 speed fan can be set to automatic speed on demand, or manually to low, medium or high speed.



## Options

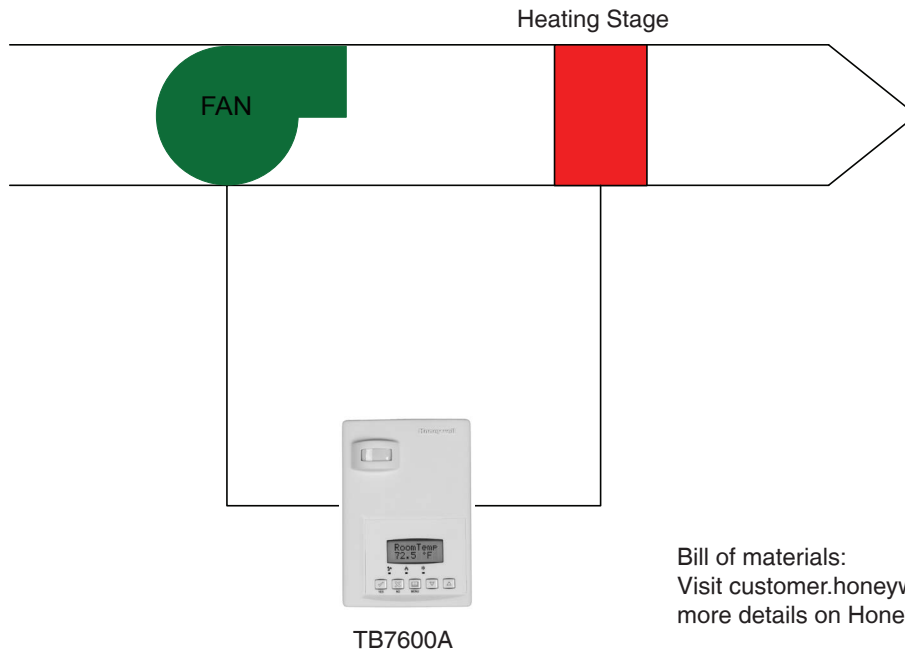
BACnet and Wireless models are available. See appendix B for more details.

Remote wall mounted sensor or a return air temperature sensor can be used instead of the internal temperature sensor of the thermostat. See appendix F for more details on available 10K ohm NTC Type II sensors.

2 binary inputs and one universal input can be used and configured for advanced functionality as required by the application. E.g. discharge air sensor, door or window contact input, filter and service alarms, etc.

Other fan mode configurations can be set for either single speed, dual speed or 3 speed fan mode operation.

# TB7600A5514: 1H UNIT: 1 UNIT HEATER WITH SINGLE SPEED FAN



Bill of materials:  
Visit [customer.honeywell.com](http://customer.honeywell.com) for more details on Honeywell parts.

Thermostat: TB7600A5514

To enter configuration menu press and hold the override key for 8 seconds.

For full explanation of parameters refer to the TB7600 Series Installation Instructions (Form No. 62-2016).

Configuration parameter name	Configuration settings
PswrdSet	0 is factory set, range is: 0-1000
DI1	None
DI2	None
Lockout	As per user: (see manual for details) set to "0" for full access
pwr del	10 seconds is factory set, range is: 10 to 120 seconds
Frost pr	ON
Heat max	90 °F ( 32 °C ) is factory set, range is: 40 to 90 °F ( 4.5 to 32.0 °C )
Cool min	54 °F ( 12 °C ) is factory set, range is: 54 to 100 °F ( 12.0 to 37.5 °C )
Pband	2 °F is factory set, range is: 2 to 10 °F ( 0.6 to 5.6 °C )
anticycle	2 minutes is factory set range is: 0,1,2,3,4 & 5 minutes
Heat cph	4 C.P.H is factory set, range is: 3, 4, 5, 6,7 & 8 CPH
Cool cph	4 CPH is factory set, range is: 3 or 4 CPH
deadband	2.0 °F ( 1.1 °C ) is factory set, range is: 2, 3 or 4 °F ( 1.0 to 2.0 °C )
fan cont	ON, Auto or Smart (see manual for details)
Fan del	OFF
ToccTime	3 hours is factory default, range is: 0 to 12 in one hour increments
cal RS	0.0 °F or °C
cal OS	0.0 °F or °C
H lock	120 °F ( 49 °C ) is factory default, range is: -15 °F up to 120 °F (-26 °C up to 49 °C)
C lock	-40 °F ( -40 °C ) is factory default, range is: From -40 °F up to 95 °F (-40 °C up to 35 °C )
Unocc TM	0.5 hours is factory set, range is: 0.5 to 24.0 hours in 0.5hr increments
2/4event	2 events is factory default, can also be set to 4 events (for non-networked thermostat only)
Aux cont	N.O. or N.C.
Prog rec	ON

## Sequence of Operation and Wiring

**Occupied mode:** During occupied periods, the occupied heating and cooling setpoints are used.

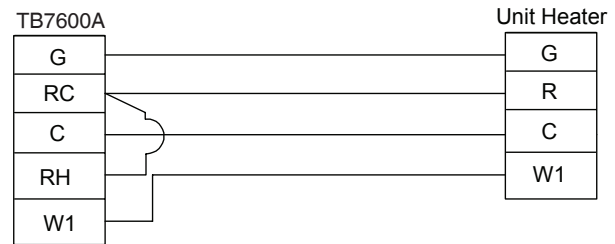
**PIR activated unoccupied mode:** When equipped with a PIR (Passive Infrared) accessory cover a thermostat provides advanced active occupancy logic, which will automatically switch occupancy levels from occupied to unoccupied when no motion is detected in the room. During PIR activated unoccupied periods, the unoccupied-by heating and cooling setpoints are used.

**Unoccupied mode:** During unoccupied periods, the unoccupied heating and cooling setpoints are used.

**Local override:** The thermostat will revert back to the occupied mode as specified by a configuration timer when a local override is requested at the thermostat.

**On a call for heating:** The heating stage will operate according to demand.

**Fan mode operation:** The single speed fan can be set to either automatic on demand or always on mode.



## Options

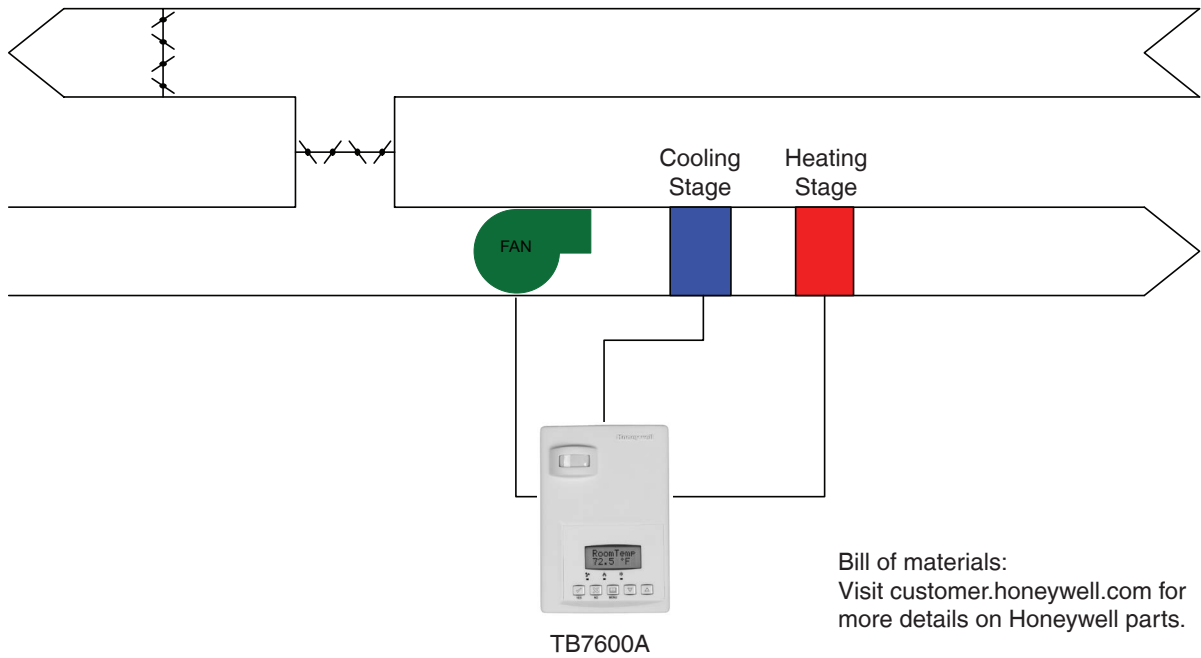
BACnet and Wireless models are available. See appendix B for more details.

Remote wall mounted sensor or a return air temperature sensor can be used instead of the internal temperature sensor of the thermostat. See appendix F for more details on available 10K ohm NTC Type II sensors.

One monitoring supply air temperature input and 2 digital inputs can be used and configured for advanced functionality if required by the application. E.g. Remote night setback, remote override, filter and service alarms, etc.

An outdoor temperature input can be used and configured for the lockout of heating and cooling operation.

**TB7600A5514: 1H & 1C ROOFTOP UNIT: 1 HEATING STAGE,  
1 COOLING STAGE WITH SINGLE SPEED FAN**



Bill of materials:  
Visit [customer.honeywell.com](http://customer.honeywell.com) for  
more details on Honeywell parts.

Thermostat: TB7600A5514

To enter configuration menu press and hold the override key for 8 seconds.

For full explanation of parameters refer to the TB7600 Series Installation Instructions (Form No. 62-2016).

Configuration parameter name	Configuration settings
PswrdSet	0 is factory set, range is: 0-1000
DI1	None
DI2	None
Lockout	As per user: (see manual for details) set to "0" for full access
pwr del	10 seconds is factory set, range is: 10 to 120 seconds
Frost pr	ON
Heat max	90 °F ( 32 °C ) is factory set, range is: 40 to 90 °F ( 4.5 to 32.0 °C )
Pband	2 °F is factory set, range is: 2 to 10 °F ( 0.6 to 5.6 °C )
Cool min	54 °F ( 12 °C ) is factory set, range is: 54 to 100 °F ( 12.0 to 37.5 °C )
anticycle	2 minutes is factory set range is: 0,1,2,3,4 & 5 minutes
Heat cph	4 C.P.H is factory set, range is: 3, 4, 5, 6,7 & 8 CPH
Cool cph	4 CPH is factory set, range is: 3 or 4 CPH
deadband	2.0 °F ( 1.1 °C ) is factory set, range is: 2, 3 or 4 °F ( 1.0 to 2.0 °C )
fan cont	ON, Auto or Smart (see manual for details)
Fan del	OFF
ToccTime	3 hours is factory default, range is: 0 to 12 in one hour increments
cal RS	0.0 °F or °C
cal OS	0.0 °F or °C
H lock	120 °F ( 49 °C ) is factory default, range is: -15 °F up to 120 °F ( -26 °C up to 49 °C )
C lock	-40 °F ( -40 °C ) is factory default, range is: From -40 °F up to 95 °F (-40 °C up to 35 °C)
Unocc TM	0.5 hours is factory set, range is: 0.5 to 24.0 hours in 0.5hr increments
2/4event	2 events is factory default, can also be set to 4 events (for non-networked thermostat only)
Aux cont	N.O. or N.C.
Prog rec	ON

## Sequence of Operation and Wiring

**Occupied mode:** During occupied periods, the occupied heating and cooling setpoints are used.

**PIR activated unoccupied mode:** When equipped with a PIR (Passive Infrared) accessory cover a thermostat provides advanced active occupancy logic, which will automatically switch occupancy levels from occupied to unoccupied when no motion is detected in the room. During PIR activated unoccupied periods, the unoccupied-by heating and cooling setpoints are used.

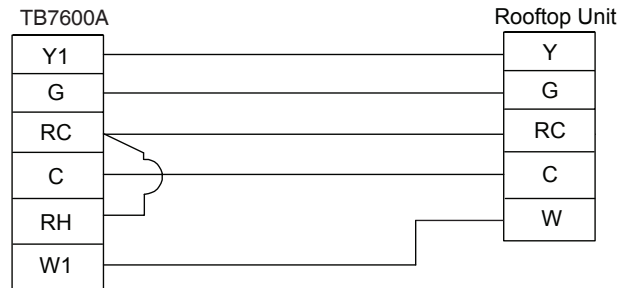
**Unoccupied mode:** During unoccupied periods, the unoccupied heating and cooling setpoints are used.

**Local override:** The thermostat will revert back to the occupied mode as specified by a configuration timer when a local override is requested at the thermostat.

**On a call for heating:** The heating stage will operate according to demand.

**On a call for cooling:** The cooling stage will operate according to demand.

**Fan mode operation:** The single speed fan can be set to either automatic on demand or always on.



## Options

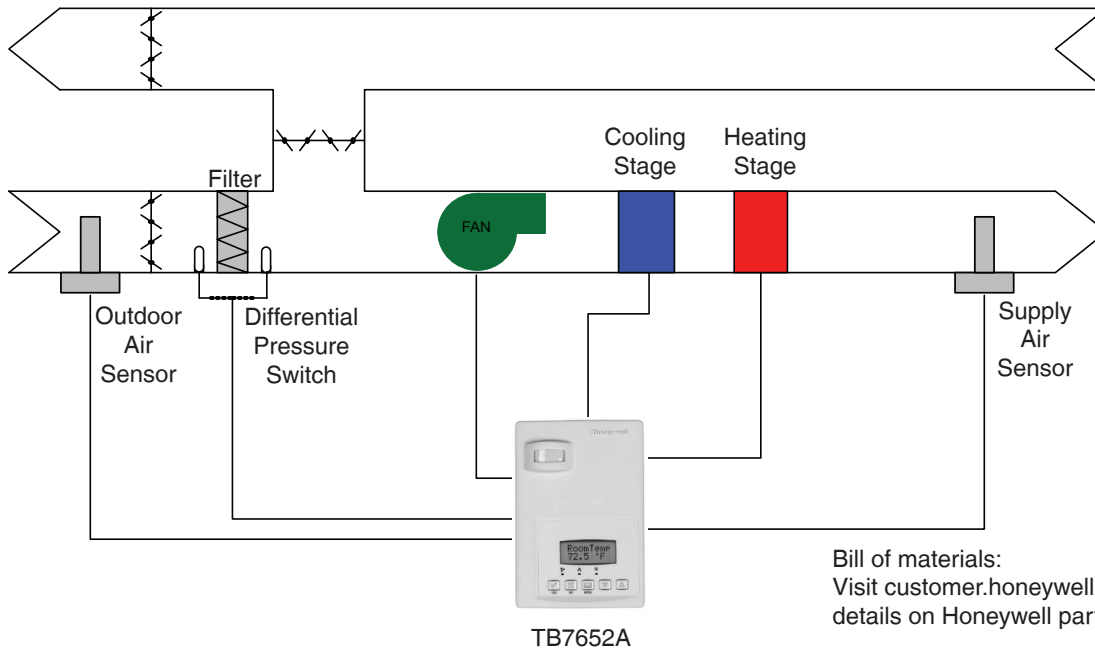
BACnet and Wireless models are available. See appendix B for more details.

Remote wall mounted sensor or a return air temperature sensor can be used instead of the internal temperature sensor of the thermostat. See appendix F for more details on available 10K ohm NTC Type II sensors.

One monitoring supply air temperature input and 2 digital inputs can be used and configured for advanced functionality if required by the application. E.g. Remote night setback, remote override, filter and service alarms, etc.

An outdoor temperature input can be used and configured for the lockout of heating and cooling operation.

**TB7652A5514: 1H & 1C ROOFTOP UNIT: 1 HEATING STAGE, 1 COOLING STAGE WITH DIFFERENTIAL PRESSURE SWITCH FOR FILTER ALARM**



Bill of materials:  
Visit [customer.honeywell.com](http://customer.honeywell.com) for more details on Honeywell parts.

Thermostat: TB7652A5514

Outdoor air sensor: C7021F

Supply air sensor: C7021B/C7021C

To enter configuration menu press and hold the override key for 8 seconds.

For full explanation of parameters refer to the TB7600 Series Installation Instructions (Form No. 62-2016).

Configuration parameter name	Configuration settings
PswrdSet	0 is factory set, range is: 0-1000
DI1	Filter
DI2	None
Lockout	As per user: (see manual for details) set to "0" for full access
pwr del	10 seconds is factory set, range is: 10 to 120 seconds
Frost pr	ON
Heat max	90 °F ( 32 °C ) is factory set, range is: 40 to 90 °F ( 4.5 to 32.0 °C )
Cool min	54 °F ( 12 °C ) is factory set, range is: 54 to 100 °F ( 12.0 to 37.5 °C )
Pband	2 °F is factory set, range is: 2 to 10 °F ( 0.6 to 5.6 °C )
anticycle	2 minutes is factory set range is: 0,1,2,3,4 & 5 minutes
Heat cph	4 C.P.H is factory set, range is: 3, 4, 5, 6,7 & 8 CPH
Cool cph	4 CPH is factory set, range is: 3 or 4 CPH
deadband	2.0 °F ( 1.1 °C ) is factory set, range is: 2, 3 or 4 °F ( 1.0 to 2.0 °C )
fan cont	ON, Auto or Smart (see manual for details)
Fan del	OFF
ToccTime	3 hours is factory default, range is: 0 to 12 in one hour increments
cal RS	0.0 °F or °C
cal OS	0.0 °F or °C
H lock	120 °F ( 49 °C ) is factory default, range is: -15 °F up to 120 °F ( -26 °C up to 49 °C )
C lock	-40 °F ( -40 °C ) is factory default, range is: From -40 °F up to 95 °F ( -40 °C up to 35 °C )
Unocc TM	0.5 hours is factory set, range is: 0.5 to 24.0 hours in 0.5hr increments
2/4event	2 events is factory default, can also be set to 4 events (for non-networked thermostat only)
Aux cont	N.O. or N.C.
Prog rec	ON

## Sequence of Operation and Wiring

**Local schedule:** A local schedule ( 7 days, 2 or 4 events ) internal to the thermostat is used to trigger the different occupancy levels of the thermostat. Use only if thermostat is not networked. For networked thermostat, use WEBS-AX Workbench scheduling.

**Occupied mode:** During occupied periods, the occupied heating and cooling setpoints are used.

**PIR activated unoccupied mode:** When equipped with a PIR (Passive Infrared) accessory cover a thermostat provides advanced active occupancy logic, which will automatically switch occupancy levels from occupied to unoccupied when no motion is detected in the room. During PIR activated unoccupied periods, the unoccupied-by heating and cooling setpoints are used.

**Unoccupied mode:** During unoccupied periods, the unoccupied heating and cooling setpoints are used.

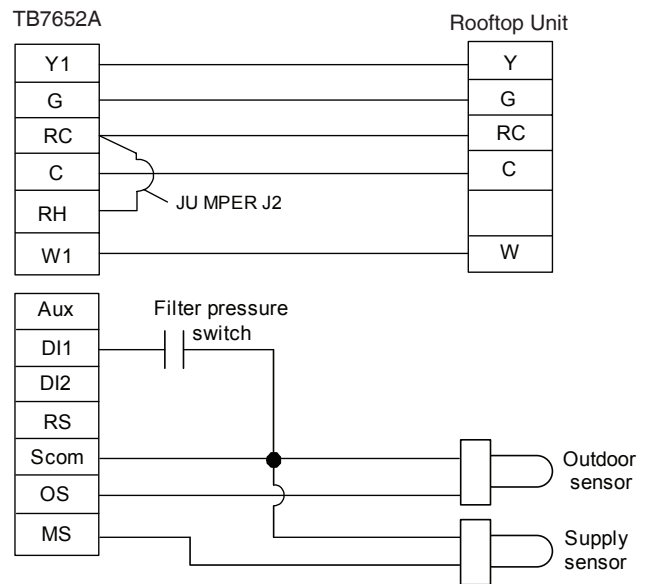
**Local override:** The thermostat will revert back to the occupied mode as specified by a configuration timer when a local override is requested at the thermostat.

**On a call for heating:** The heating stage will operate according to demand.

**On a call for cooling:** The cooling stage will operate according to demand.

**Fan mode operation:** The single speed fan can be set to either automatic on demand or always on.

**Filter Alarm:** When the filter has to be cleaned, the differential pressure switch will close the contact on DI1 input and a local alarm will be displayed.



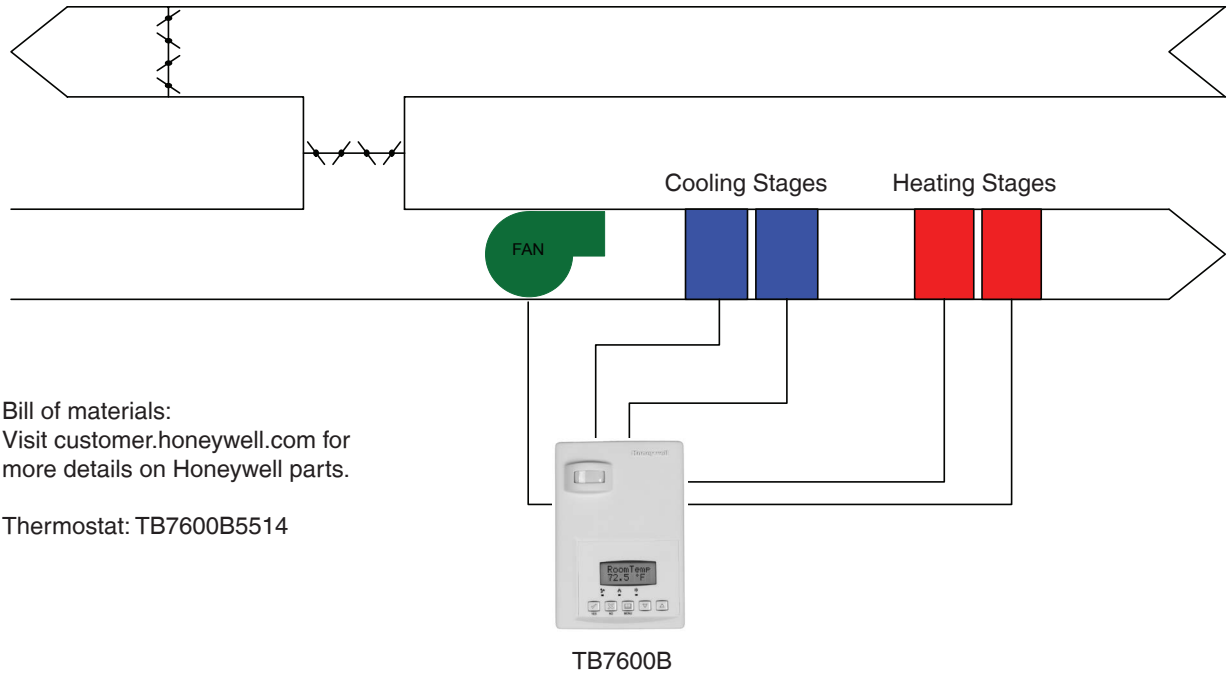
## Options

BACnet and Wireless models are available. See appendix B for more details.

Remote wall mounted sensor or a return air temperature sensor can be used instead of the internal temperature sensor of the thermostat. See appendix F for more details on available 10K ohm NTC Type II sensors.

One monitoring supply air temperature input and 2 digital inputs can be used and configured for advanced functionality if required by the application. E.g. Remote night setback, remote override, filter and service alarms, etc.

**TB7600B5514: 2H & 2C ROOFTOP UNIT: 2 HEATING STAGES,  
2 COOLING STAGES WITH SINGLE SPEED FAN**



To enter configuration menu press and hold the override key for 8 seconds.

For full explanation of parameters refer to the TB7600 Series Installation Instructions (Form No. 62-2016).

Configuration parameter name	Configuration settings
PswrdSet	0 is factory set, range is: 0-1000
DI1	None
DI2	None
Lockout	As per user: (see manual for details) set to "0" for full access
pwr del	10 seconds is factory set, range is: 10 to 120 seconds
Frost pr	ON
Heat max	90 °F ( 32 °C ) is factory set, range is: 40 to 90 °F ( 4.5 to 32.0 °C )
Cool min	54 °F ( 12 °C ) is factory set, range is: 54 to 100 °F ( 12.0 to 37.5 °C )
Pband	2 °F is factory set, range is: 2 to 10 °F ( 0.6 to 5.6 °C )
anticycle	2 minutes is factory set range is: 0,1,2,3,4 & 5 minutes
Heat cph	4 C.P.H is factory set, range is: 3, 4, 5, 6,7 & 8 CPH
Cool cph	4 CPH is factory set, range is: 3 or 4 CPH
deadband	2.0 °F ( 1.1 °C ) is factory set, range is: 2, 3 or 4 °F ( 1.0 to 2.0 °C )
fan cont	ON, Auto or Smart (see manual for details)
Fan del	OFF
ToccTime	3 hours is factory default, range is: 0 to 12 in one hour increments
cal RS	0.0 °F or °C
cal OS	0.0 °F or °C
H stage	2
C stage	2
H lock	120 °F ( 49 °C ) is factory default, range is: -15 °F up to 120 °F ( -26 °C up to 49 °C )
C lock	-40 °F ( -40 °C ) is factory default, range is: From -40 °F up to 95 °F ( -40 °C up to 35 °C )
Unocc TM	0.5 hours is factory set, range is: 0.5 to 24.0 hours in 0.5hr increments
2/4event	2 events is factory default, can also be set to 4 events (for non-networked thermostat only)
Aux cont	N.O. or N.C.
Prog rec	ON



## Sequence of Operation and Wiring

**Occupied mode:** During occupied periods, the occupied heating and cooling setpoints are used.

**PIR activated unoccupied mode:** When equipped with a PIR (Passive Infrared) accessory cover a thermostat provides advanced active occupancy logic, which will automatically switch occupancy levels from occupied to unoccupied when no motion is detected in the room. During PIR activated unoccupied periods, the unoccupied-by heating and cooling setpoints are used.

**Unoccupied mode:** During unoccupied periods, the unoccupied heating and cooling setpoints are used.

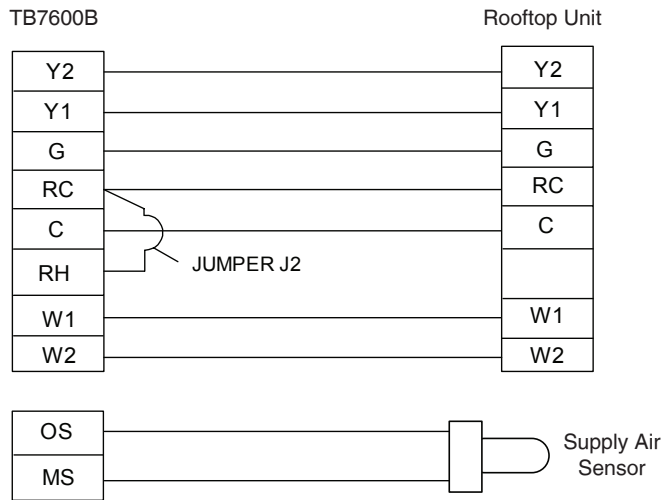
**Local override:** The thermostat will revert back to the occupied mode as specified by a configuration timer when a local override is requested at the thermostat.

**On a call for heating:** The heating stages will operate according to demand.

**On a call for cooling:** The cooling stages will operate according to demand.

**Local schedule:** A local schedule ( 7 days 2 or 4 events ) internal to the thermostat is used to trigger the different occupancy levels of the thermostat. Use only if thermostat is not networked. For networked thermostat, use WEBS-AX Workbench scheduling.

**Fan mode operation:** The single speed fan can be set to either automatic on demand or always on.



## Options

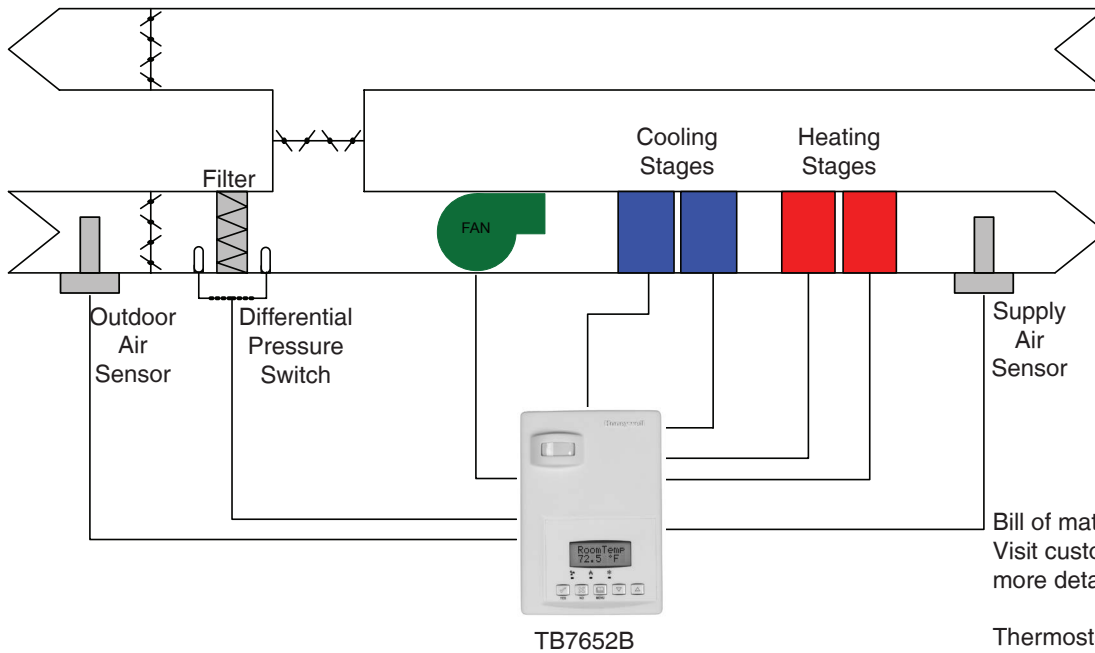
BACnet and Wireless models are available. See appendix B for more details.

Remote wall mounted sensor or a return air temperature sensor can be used instead of the internal temperature sensor of the thermostat. See appendix F for more details on available 10K ohm NTC Type II sensors.

One monitoring supply air temperature input and 2 digital inputs can be used and configured for advanced functionality if required by the application. E.g. Remote night setback, remote override, filter and service alarms , etc.

An outdoor temperature input can be used and configured for the lockout of heating and cooling operation.

**TB7652B5514: 2H & 2C ROOFTOP UNIT: 2 HEATING STAGES, 2 COOLING STAGES WITH DIFFERENTIAL PRESSURE SWITCH FOR FILTER ALARM**



Bill of materials:  
Visit [customer.honeywell.com](http://customer.honeywell.com) for more details on Honeywell parts.

Thermostat: TB7652B5514

Outdoor air sensor: C7021F

Supply air sensor: C7021B/C7021C

To enter configuration menu press and hold the override key for 8 seconds.

For full explanation of parameters refer to the TB7600 Series Installation Instructions (Form No. 62-2016).

Configuration parameter name	Configuration settings
PswrdSet	0 is factory set, range is: 0-1000
DI1	Filter
DI2	None
Lockout	As per user: (see manual for details) set to "0" for full access
pwr del	10 seconds is factory set, range is: 10 to 120 seconds
Frost pr	ON
Heat max	90 °F ( 32 °C ) is factory set, range is: 40 to 90 °F ( 4.5 to 32.0 °C )
Cool min	54 °F ( 12 °C ) is factory set, range is: 54 to 100 °F ( 12.0 to 37.5 °C )
Pband	2 °F is factory set, range is: 2 to 10 °F ( 0.6 to 5.6 °C )
anticycle	2 minutes is factory set range is: 0,1,2,3,4 & 5 minutes
Heat cph	4 C.P.H is factory set, range is: 3, 4, 5, 6,7 & 8 CPH
Cool cph	4 CPH is factory set, range is: 3 or 4 CPH
deadband	2.0 °F ( 1.1 °C ) is factory set, range is: 2, 3 or 4 °F ( 1.0 to 2.0 °C )
fan cont	ON, Auto or Smart (see manual for details)
Fan del	OFF
ToccTime	3 hours is factory default, range is: 0 to 12 in one hour increments
cal RS	0.0 °F or °C
cal OS	0.0 °F or °C
H stage	2 stages is factory default, range is: 1 or 2 stages
C stage	2 stages is factory default, range is: 1 or 2 stages
H lock	120 °F ( 49 °C ) is factory default, range is: -15 °F up to 120 °F ( -26 °C up to 49 °C )
C lock	-40 °F ( -40 °C ) is factory default, range is: From -40 °F up to 95 °F ( -40 °C up to 35 °C )
Unocc TM	0.5 hours is factory set, range is: 0.5 to 24.0 hours in 0.5hr increments
2/4event	2 events is factory default, can also be set to 4 events (for non-networked thermostat only)
Aux cont	N.O. or N.C.
Prog rec	ON

## Sequence of Operation and Wiring

**Supply air sensing:** A supply air sensor is used for remote monitoring or the discharge air temperature of the HVAC equipment.

**Occupied mode:** During occupied periods, the occupied heating and cooling setpoints are used.

**PIR activated unoccupied mode:** When equipped with a PIR (Passive Infrared) accessory cover a thermostat provides advanced active occupancy logic, which will automatically switch occupancy levels from occupied to unoccupied when no motion is detected in the room. During PIR activated unoccupied periods, the unoccupied-by heating and cooling setpoints are used.

**Unoccupied mode:** During unoccupied periods, the unoccupied heating and cooling setpoints are used.

**Local override:** The thermostat will revert back to the occupied mode as specified by a configuration timer when a local override is requested at the thermostat.

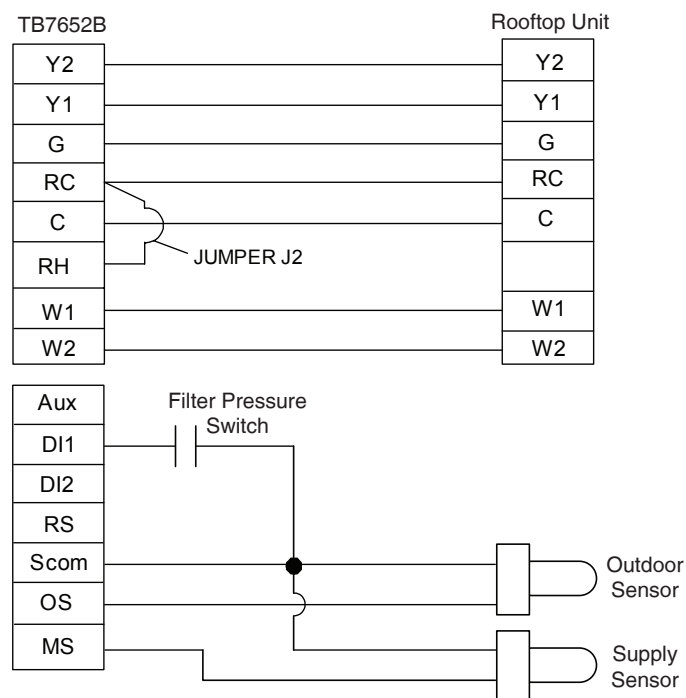
**On a call for heating:** The heating stages will operate according to demand.

**On a call for cooling:** The cooling stages will operate according to demand.

**Local schedule:** A local schedule (7 days, 2 or 4 events) internal to the thermostat is used to trigger the different occupancy levels of the thermostat. Use only if thermostat is not networked. For networked thermostat, use WEBS-AX Workbench scheduling.

**Fan mode operation:** The single speed fan can be set to either automatic on demand or always on.

**Filter Alarm:** When the filter has to be cleaned, the differential pressure switch will close the contact on DI1 input and a local alarm will be displayed.



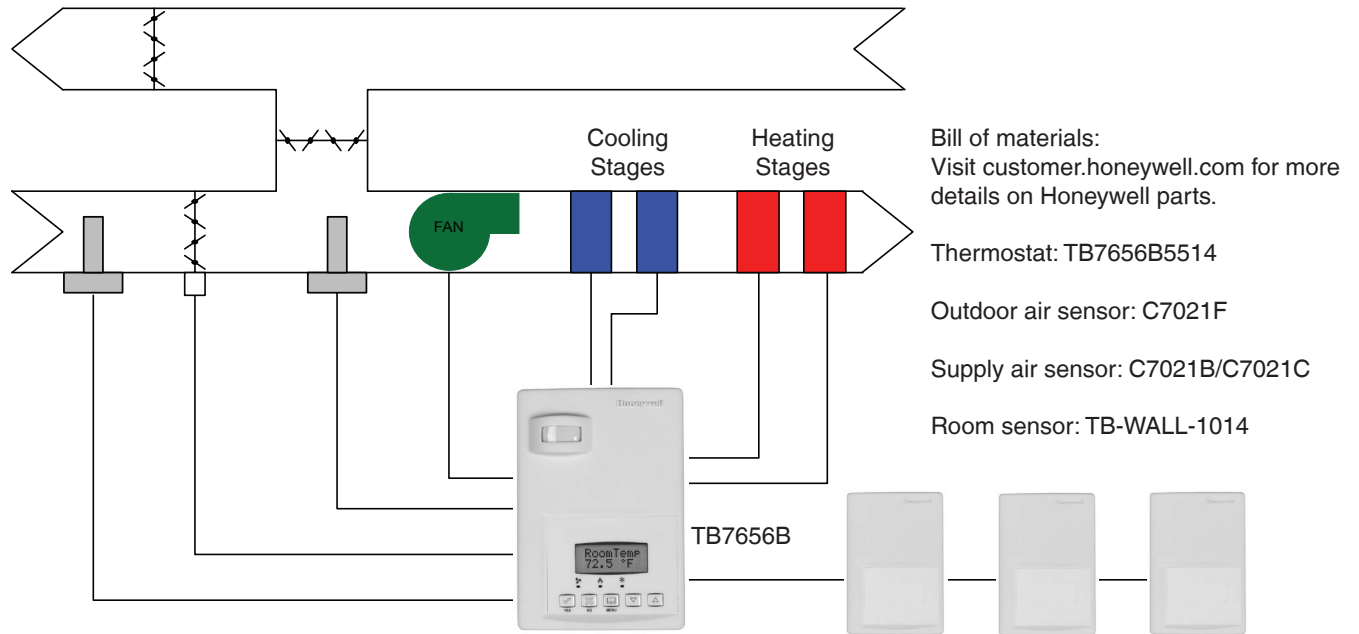
## Options

BACnet and Wireless models are available. See appendix B for more details.

Remote wall mounted sensor or a return air temperature sensor can be used instead of the internal temperature sensor of the thermostat. See appendix F for more details on available 10K ohm NTC Type II sensors.

One monitoring supply air temperature input and 2 digital inputs can be used and configured for advanced functionality if required by the application. E.g. Remote night setback, remote override, filter and service alarms, etc.

**TB7656B5514: 2H & 2C ROOFTOP UNIT WITH ECONOMIZER: 2 HEATING STAGES, 2 COOLING STAGES, ANALOG 0-10VDC FRESH AIR DAMPER ACTUATOR AND SENSOR AVERAGING**



To enter configuration menu press and hold the override key for 8 seconds.

For parameters details refer to the TB7600 Series Installation Instructions (Form No. 62-2016).

Configuration parameter name	Configuration settings
PswrdSet	0 is factory set, range is: 0-1000
D11	Filter
D12	None
Lockout	As per user: (see manual for details) set to "0" for full access
pwr del	10 seconds is factory set, range is: 10 to 120 seconds
Frost pr	ON
Heat max	90 °F ( 32 °C ) is factory set, range is: 40 to 90 °F ( 4.5 to 32.0 °C )
Cool min	54 °F ( 12 °C ) is factory set, range is: 54 to 100 °F ( 12.0 to 37.5 °C )
Pband	2 °F is factory set, range is: 2 to 10 °F ( 0.6 to 5.6 °C )
anticycle	2 minutes is factory set range is: 0,1,2,3,4 & 5 minutes
Heat cph	4 C.P.H is factory set, range is: 3, 4, 5, 6,7 & 8 CPH
Cool cph	4 CPH is factory set, range is: 3 or 4 CPH
deadband	2.0 °F ( 1.1 °C ) is factory set, range is: 2, 3 or 4 °F ( 1.0 to 2.0 °C )
fan cont	ON, Auto or Smart (see manual for details)
Fan del	OFF
ToccTime	3 hours is factory default, range is: 0 to 12 in one hour increments
cal RS	0.0 °F or °C
cal OS	0.0 °F or °C
H stage	2 stages
C stage	2 stages
H lock	120 °F ( 49 °C ) is factory default, range is: -15 °F up to 120 °F ( -26 °C up to 49 °C )
C lock	-40 °F ( -40 °C ) is factory default, range is: From -40 °F up to 95 °F ( -40 °C up to 35 °C )
Unocc TM	0.5 hours is factory set, range is: 0.5 to 24.0 hours in 0.5hr increments
2/4event	2 events is factory default, can also be set to 4 events (for non-networked thermostat only)
Aux cont	N.O. normally open
Prog rec	ON
chngst pt	55 °F ( 13.0 °C ) is default value, range is:14 to 70 °F ( -10.0 to 21.0 °C )
Min pos	0% is factory default, range is: 0 to 100%
C mech	ON
mix stpt	55 °F (13.0 °C) is factory default, range is: 50 to 90 °F ( 10.0 to 32.0 °C )

## Sequence of Operation and Wiring

**Supply air sensing:** A supply air sensor is used for remote monitoring or the discharge air temperature of the HVAC equipment.

**PIR activated unoccupied mode:** When equipped with a PIR (Passive Infrared) accessory cover a thermostat provides advanced active occupancy logic, which will automatically switch occupancy levels from occupied to unoccupied when no motion is detected in the area. During PIR activated unoccupied periods, the unoccupied-by heating and cooling setpoints are used. The minimum position of the economizer fresh air damper is disabled.

**Unoccupied mode:** During unoccupied periods, the unoccupied heating and cooling setpoints are used. The minimum position of the economizer fresh air damper is disabled.

**On a call for heating:** Heating stages will operate according to demand.

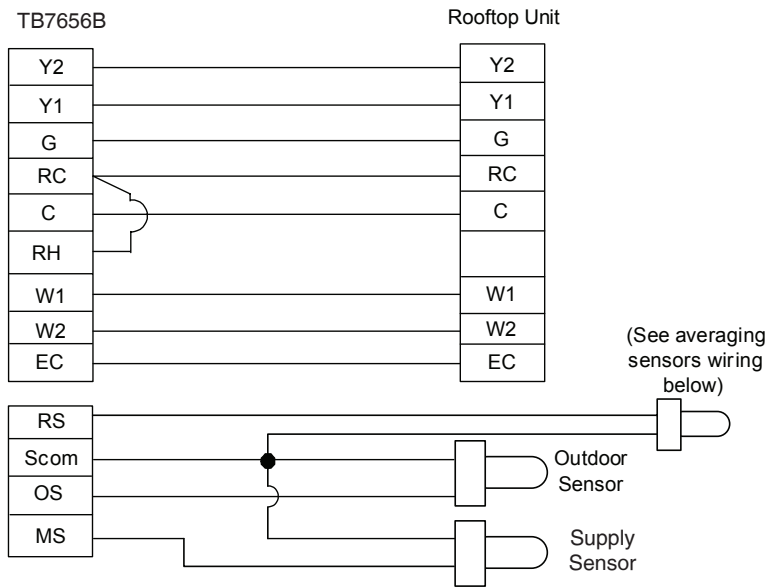
**On a call for cooling:**

If the outdoor air temperature allows for economizer free cooling operation:

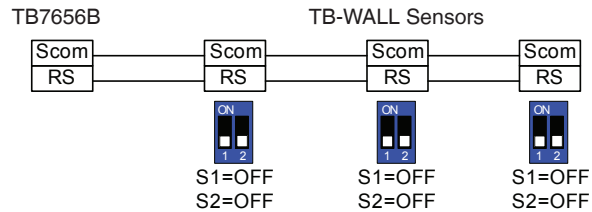
- The first stage of cooling is outdoor air free cooling and will maintain a low limit mixed air setpoint.
- The mechanical cooling stages will operate as a second and third cooling stages based on demand.

If the outdoor air temperature does not allow for economizer free cooling operation:

- The cooling stages will operate according to demand.



**Averaging Sensor Wiring & Dip Switch Settings**



**Local override:** The thermostat will revert back to the occupied mode as specified by a configuration timer when a local override is requested at the thermostat.

**Occupied mode:** During occupied periods, the occupied heating and cooling setpoints are used. The minimum position of the economizer fresh air damper is enabled.

**Fan mode operation:** The single speed fan can be set to either automatic on demand or always on.

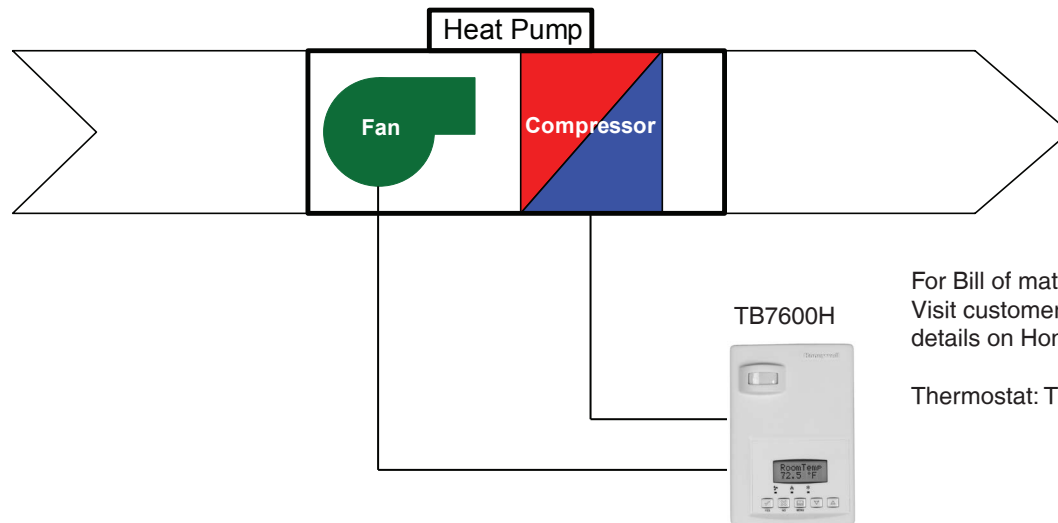
## Options

BACnet and Wireless models are available. See appendix B for more details.

Remote wall mounted sensor or a return air temperature sensor can be used instead of the internal temperature sensor of the thermostat. See appendix F for more details on available 10K ohm NTC Type II sensors.

One monitoring supply air temperature input and 2 digital inputs can be used and configured for advanced functionality if required by the application. E.g. Remote night setback, remote override, filter and service alarms , etc.

## TB7600H5514: 1H & 1C HEATPUMP: 1 COMPRESSOR FOR HEAT & COOL



For Bill of materials:  
Visit [customer.honeywell.com](http://customer.honeywell.com) for more details on Honeywell parts.

Thermostat: TB7600H5514

To enter configuration menu press and hold the override key for 8 seconds.

For full explanation of parameters refer to the TB7600 Series Installation Instructions (Form No. 62-2016).

Configuration parameter name	Configuration settings
PswrdSet	0 is factory set, range is: 0-1000
D11	None
D12	None
Lockout	As per user: (see manual for details) set to "0" for full access
pwr del	10 seconds is factory set, range is: 10 to 120 seconds
Frost pr	ON
Heat max	90 °F ( 32 °C ) is factory set, range is: 40 to 90 °F ( 4.5 to 32.0 °C )
Cool min	54 °F ( 12 °C ) is factory set, range is: 54 to 100 °F ( 12.0 to 37.5 °C )
Pband	2 °F is factory set, range is: 2 to 10 °F ( 0.6 to 5.6 °C )
anticycle	2 minutes is factory set range is: 0,1,2,3,4 & 5 minutes
Heat cph	4 C.P.H is factory set, range is: 3, 4, 5, 6,7 & 8 CPH
Cool cph	4 CPH is factory set, range is: 3 or 4 CPH
deadband	2.0 °F ( 1.1 °C ) is factory set, range is: 2, 3 or 4 °F ( 1.0 to 2.0 °C )
fan cont	ON, Auto or Smart (see manual for details)
Fan del	OFF
ToccTime	3 hours is factory default, range is: 0 to 12 in one hour increments
cal RS	0.0 °F or °C
cal OS	0.0 °F or °C
HP stage	1 stage
H lock	120 °F ( 49 °C ) is factory default, range is: -15 °F up to 120 °F ( -26 °C up to 49 °C )
C lock	-40 °F ( -40 °C ) is factory default, range is: From -40 °F up to 95 °F ( -40 °C up to 35 °C )
Unocc TM	0.5 hours is factory set, range is: 0.5 to 24.0 hours in 0.5hr increments
2/4event	2 events is factory default, can also be set to 4 events (for non-networked thermostat only)
Aux cont	N.O. normally open
Prog rec	OFF
high bp	90 °F ( 32.0 °C ) is default value, range is: 34 to 90 °F ( 1.0 to 32.0 °C )
low bp	-12 °F (-24.0 °C ) is default value, range is: -40 to 30 °F (-40.0 to -1.0 °C )
comf/eco	Comfort mode or Economy mode
re valve	O when reversing valve energized in cooling or B when energized in heating
Comp/aux	OFF

## Sequence of Operation and Wiring

**Occupied mode:** During occupied periods, the occupied heating and cooling setpoints are used.

**PIR activated unoccupied mode:** When equipped with a PIR (Passive Infrared) accessory cover a thermostat provides advanced active occupancy logic, which will automatically switch occupancy levels from occupied to unoccupied when no motion is detected in the room. During PIR activated unoccupied periods, the unoccupied-by heating and cooling setpoints are used.

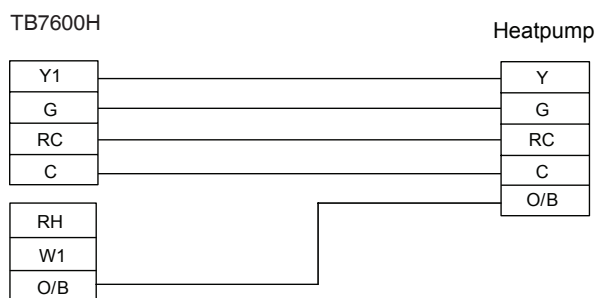
**Unoccupied mode:** During unoccupied periods, the unoccupied heating and cooling setpoints are used.

**Local override:** The thermostat will revert back to the occupied mode as specified by a configuration timer when a local override is requested at the thermostat.

**On a call for cooling:** The compressor output will operate the heatpump compressor and energize the reversing valve according to demand.

**On a call for heating:** The compressor output will operate the heatpump compressor stages and de-energize the reversing valve according to demand. The duct heater will operate as a third step.

**Fan mode operation:** The single speed fan can be set to either automatic on demand or always on.



## Options

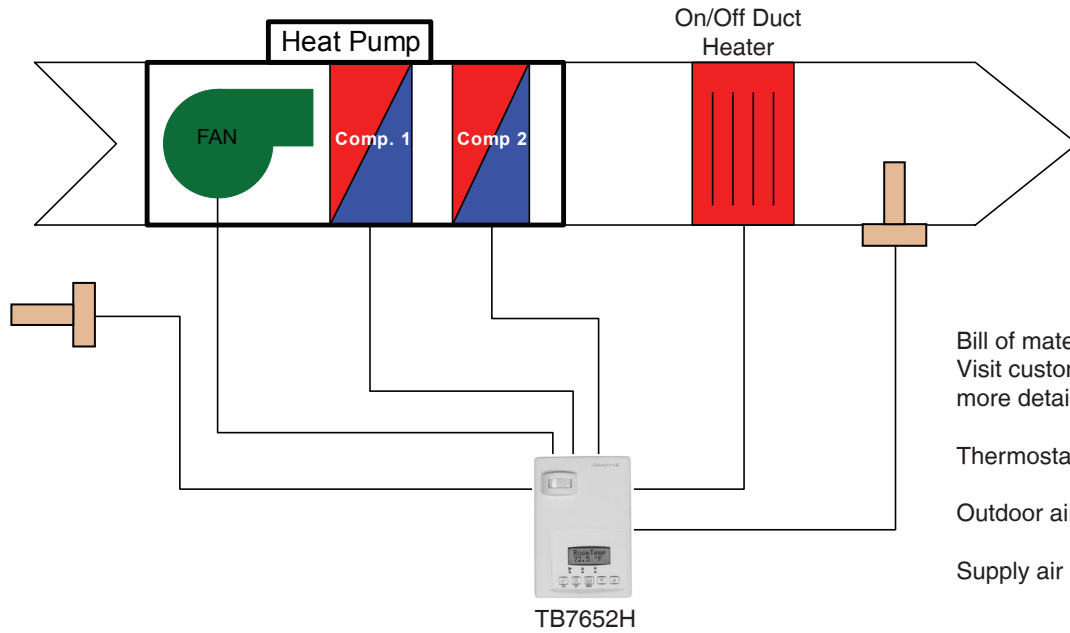
BACnet and Wireless models are available. See appendix B for more details.

Remote wall mounted sensor or a return air temperature sensor can be used instead of the internal temperature sensor of the thermostat. See appendix F for more details on available 10K ohm NTC Type II sensors.

One monitoring supply air temperature input and 2 digital inputs can be used and configured for advanced functionality if required by the application. E.g. Remote night setback, remote override, filter and service alarms, etc.

An outdoor temperature input can be used and configured for the lockout of heating and cooling operation.

## TB7652H5514: 3H & 2C HEATPUMP: 2 COMPRESSORS FOR HEAT, COOL AND ELECTRIC DUCT HEATER



Bill of materials:  
 Visit [customer.honeywell.com](http://customer.honeywell.com) for more details on Honeywell parts.

Thermostat: TB7652H5514

Outdoor air sensor: C7021F

Supply air sensor: C7021B/C7021C

To enter configuration menu press and hold the override key for 8 seconds.

For full explanation of parameters refer to the TB7600 Series Installation Instructions (Form No. 62-2016).

Configuration parameter name	Configuration settings
PswrdSet	0 is factory set, range is: 0-1000
DI1	Filter
DI2	None
Lockout	As per user: (see manual for details) set to "0" for full access
pwr del	10 seconds is factory set, range is: 10 to 120 seconds
Frost pr	ON
Heat max	90 °F ( 32 °C ) is factory set, range is: 40 to 90 °F ( 4.5 to 32.0 °C )
Cool min	54 °F ( 12 °C ) is factory set, range is: 54 to 100 °F ( 12.0 to 37.5 °C )
Pband	2 °F is factory set, range is: 2 to 10 °F ( 0.6 to 5.6 °C )
anticycle	2 minutes is factory set range is: 0,1,2,3,4 & 5 minutes
Heat cph	4 C.P.H is factory set, range is: 3, 4, 5, 6,7 & 8 CPH
Cool cph	4 CPH is factory set, range is: 3 or 4 CPH
deadband	2.0 °F ( 1.1 °C ) is factory set, range is: 2, 3 or 4 °F ( 1.0 to 2.0 °C )
fan cont	ON, Auto or Smart (see manual for details)
Fan del	OFF
Com Addr	Found on BACnet models only
ToccTime	3 hours is factory default, range is: 0 to 12 in one hour increments
cal RS	0.0 °F or °C
cal OS	0.0 °F or °C
H stage	2 stages
HP stage	2 stages
H lock	120 °F ( 49 °C ) is factory default, range is: -15 °F up to 120 °F ( -26 °C up to 49 °C )
C lock	-40 °F ( -40 °C ) is factory default, range is: From -40 °F up to 95 °F ( -40 °C up to 35 °C )
Unocc TM	0.5 hours is factory set, range is: 0.5 to 24.0 hours in 0.5hr increments
2/4event	2 events is factory default, can also be set to 4 events (for non-networked thermostat only)
Aux cont	N.O. normally open
Prog rec	ON
high bp	90 °F ( 32.0 °C ) is default value, range is:34 to 90 °F ( 1.0 to 32.0 °C )
low bp	-12 °F ( -24.0 °C ) is default value, range is:-40 to 30 °F ( -40.0 to -1.0 °C )
comf/eco	Comfort mode or Economy mode
re valve	O when reversing valve energized in cooling or B when energized in heating
Comp/aux	OFF



## Sequence of Operation and Wiring

**Supply air sensing:** A supply air sensor is used for remote monitoring or the discharge air temperature of the HVAC equipment.

**Occupied mode:** During occupied periods, the occupied heating and cooling setpoints are used.

**PIR activated unoccupied mode:** When equipped with a PIR (Passive Infrared) accessory cover a thermostat provides advanced active occupancy logic, which will automatically switch occupancy levels from occupied to unoccupied when no motion is detected in the room. During PIR activated unoccupied periods, the unoccupied heating and cooling setpoints are used.

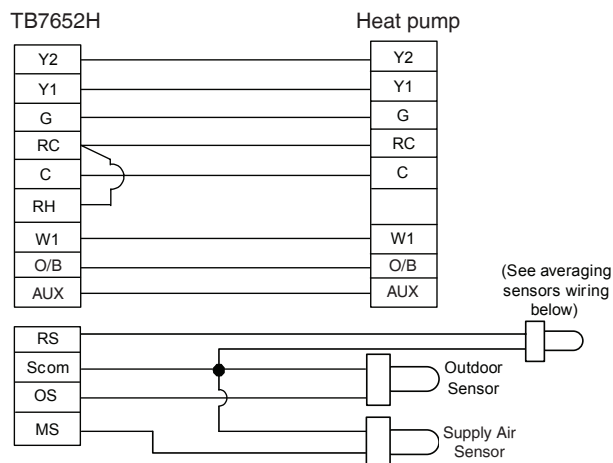
**Unoccupied mode:** During unoccupied periods, the unoccupied heating and cooling setpoints are used.

**Local override:** The thermostat will revert back to the occupied mode as specified by a configuration timer when a local override is requested at the thermostat.

**On a call for cooling:** The compressor output will operate the heatpump compressor stages and energize the reversing valve according to demand.

**On a call for heating:** The compressor output will operate the heatpump compressor stages and de-energize the reversing valve according to demand. The duct heater will operate as a third step.

**Fan mode operation:** The single speed fan can be set to either automatic on demand or always on.



## Options

BACnet and Wireless models are available. See appendix B for more details.

Remote wall mounted sensor or a return air temperature sensor can be used instead of the internal temperature sensor of the thermostat. See appendix F for more details on available 10K ohm NTC Type II sensors.

One monitoring supply air temperature input and 2 digital inputs can be used and configured for advanced functionality if required by the application. E.g. Remote night setback, remote override, filter and service alarms, etc.

An outdoor temperature input can be used and configured for the lockout of heating and cooling operation.

## APPENDIX A: PASSIVE INFRARED (PIR) OCCUPANCY SENSOR COVERS TECHNICAL SPECIFICATIONS

### PIR Cover Sequence Of Operation

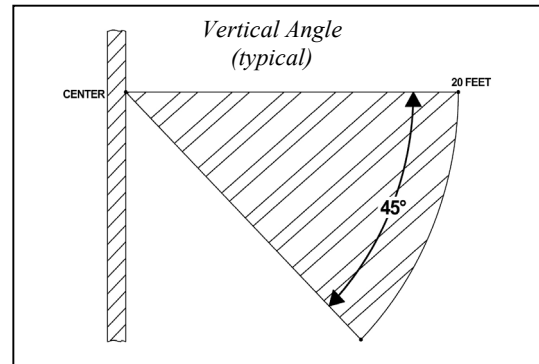
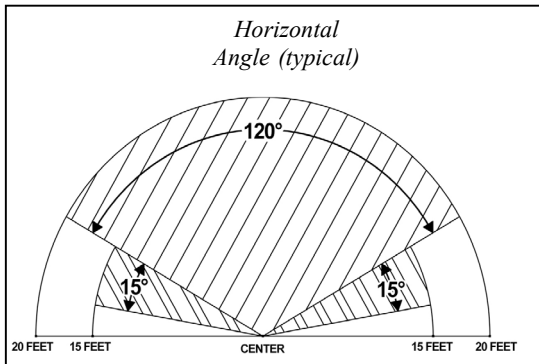
Initially, the thermostat is in Stand-by mode. Stand-by setpoints are used at the thermostat. As soon as the PIR detects a movement or motion, the Occupancy status switches to Occupied and the Stand-By Time timer is reset. The Occupied setpoints are used. If no motion is detected in the room for the entire Stand-By Time duration (adjustable parameter), the room then switches to Stand-by mode and stand-by setpoints are used. While in Stand-by mode, if no motion is detected for the entire Unoccupied Time period (adjustable parameter), the room switches to Unoccupied mode and uses its Unoccupied setpoints. While in Stand-By or Unoccupied mode, any motion will switch the room back to Occupied mode.

### Thermostat Model Selection Based On PIR Cover

PIR Cover Ready Thermostats	Thermostats With Factory Assembled PIR Cover
TB7200X5014	TB7200X5514
TB73xxX5014	TB73xxX5514
TB76xxX5014	TB76xxX5514

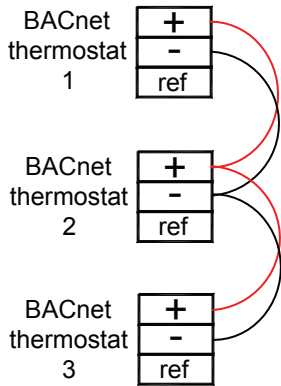
*At the end of the model number add B for BACnet models or W for ZigBee wireless models. Ex: TB76xxX5014B, TB76xxX5014W.*

### Typical Detection Pattern for PIR Lens



## APPENDIX B: NETWORK WIRING

### BACnet communication wiring



### Wireless communication

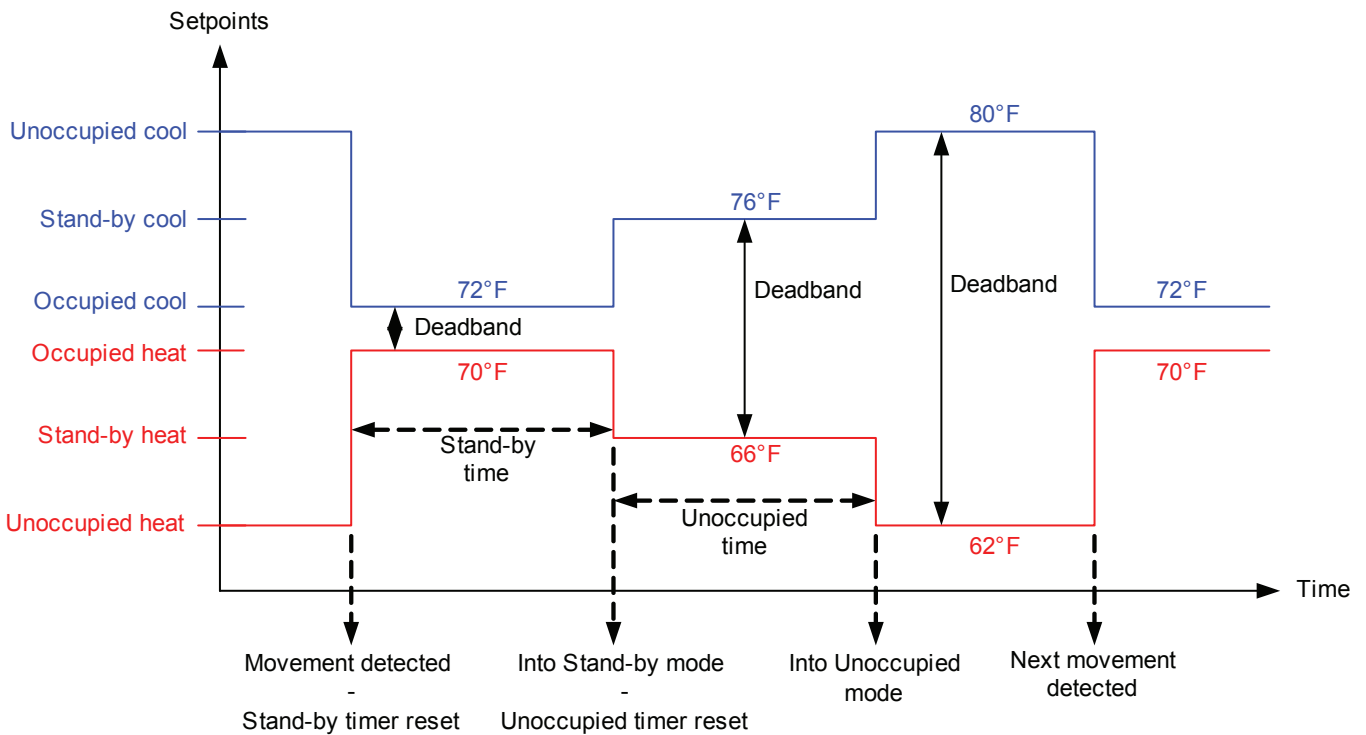


Notes:  
- No communication wires needed

**Note:**

- Wiring should be daisy chained.
- Respect polarity.
- If using 2 conductor shielded wires, connect the shield of each feed together on the back of the thermostat. ONLY ground the shield at one location. DO NOT connect the shield to the ref terminal.
- If using 2 conductor shielded wires, same connections as above but you can wire the 3rd conductor to the ref terminal for troubleshooting purposes.

## APPENDIX C: THERMOSTATS' OCCUPANCY SEQUENCE OF OPERATION SCHEMATIC



## APPENDIX D: CONTROL VALVE APPLICATIONS & SELECTION CRITERIA

Control Valve Applications													
Pipe Size, inches (DN)													
	1/2" DN15	3/4" DN20	1" DN25	1-1/4" DN32	1-1/2" DN40	2" DN50	2-1/2" DN65	3" DN80	4" DN100	5" DN125	6" DN150	8-20" >DN200	
Unitary Equipment	Fan Coil Units	Fan coil/zone valves											
		Cartridge cage valves											
		Pressure regulated valves											
	Unit Heaters	Fan coil/zone valves											
		Cartridge cage valves											
		Pressure regulated valves											
	Convectors	Fan coil/zone valves											
		Cartridge cage valves											
		Cartridge globe valves											
		Pressure regulated valves											
Radiant Panels	Fan coil/zone valves												
	Cartridge cage valves												
	Cartridge globe valves												
	Pressure regulated valves												
Unit Ventilators	Cartridge cage valves												
	Cartridge globe valves												
	Control ball valves												
	Pressure regulated valves												
Reheat Coils	Cartridge cage valves												
	Cartridge globe valves												
	Control ball valves												
	Pressure regulated valves												
Water Source Heat Pump	Cartridge cage valves												
	Control ball valves												
	Pressure regulated valves												
Blower Coil	Cartridge cage valves												
	Cartridge globe valves												
	Control ball valves												
	Pressure regulated valves												
Air Handling Units	Heating & Cooling Coils	Threaded globe valve											
		Threaded control ball valves											
									Flanged globe valve				
									Flanged ball valve				
		Pressure regulated valves											
Chilled Ceiling	Threaded globe valve												
	Threaded control ball valves												
	Pressure regulated valves												
Humidifiers	Threaded globe valve												
								Flanged globe valve					
Central Plant	Outdoor reset	Threaded globe valve											
		Threaded control ball valves											
									Flanged globe valve				
	Boiler Bypass	Threaded globe valve											
		Threaded control ball valves											
									Flanged globe valve				
										Flanged ball valve			
			Resilient seat butterfly valves										
	Heat reclaim	Threaded globe valve											
		Threaded control ball valves											
Steam Heat Exchangers	Threaded globe valve												
								Flanged globe valve					
Greenhouse	Threaded globe valve												
	Threaded control ball valves												
								Flanged globe valve					
								Flanged ball valve					
		Resilient seat butterfly valves											
Thermal Storage	Threaded globe valve												
	Threaded control ball valves												
								Flanged globe valve					
		Resilient seat butterfly valves											
Chillers	Threaded globe valve												
	Threaded control ball valves												
								Flanged globe valve					
								Flanged ball valve					
									Resilient seat butterfly valves				
		Pressure regulated valves											
Cooling Towers	Threaded globe valve												
	Threaded control ball valves												
								Resilient seat butterfly valves					
Isolation valves	Threaded control ball valves												
								Resilient seat butterfly valves					

## APPENDIX D: 2-WAY CONTROL VALVE SELECTION CRITERIA

Attribute	Specification	Unitary				Globe					
		Fan Coil		Cartridge Cage	Cartridge Globe	Threaded			Flanged		
		VU52	VU53	VCzA/B	V58x2	V5011N...	V5011F	V5011G	V5011A	V5011B	VGf2xS
Pipe Size	1/2" [DN15]	•	•	•	•	•					
	3/4" [DN20]	•	•	•	•	•					
	1" [DN25]	•	•	•		•					
	1-1/4" [DN32]			•		•					
	1-1/2" [DN40]					•					
	2" [DN50]					•					
	2-1/2" [DN65]						•	•	•		•
	3" [DN80]						•	•	•		•
	4" [DN100]								•	•	•
	5" [DN125]								•	•	•
6" [DN150]								•	•	•	
Other (maximum size)											
Pipe Fittings	Sweat	•	•	•	•						
	NPT Internal Thread	•	•	•	•	•	•	•			
	Inverted Flare	•	•	•							
	ANSI Flange								•	•	•
Static Pressure	ANSI 125/150					•	•	•	•	•	•
	ANSI 250/300										•
	Other	300 psi		300 psi	230 psi						
Media	Chilled Water	•	•	•	•	•	•	•	•	•	•
	Hot Water	•	•	•	•		•	•	•	•	•
	Low Pressure Steam					N1, N3	•	•	•	•	•
	High Pressure Steam					N2	•	•			•
Flow Capacity, Cv	Multiple ratings per pipe size	•	•	•	•	•	•	•	•	•	•
	One rating/size above 1/2"					•	•	•	•	•	•
Valve Action	Direct Acting ****					N1, N2	•	•	•		•
	Reverse Acting *****			•	•	N3				•	
	Rotary N.O.	•									
	Rotary N.C.		•								
Flow Characteristic	Equal Percentage				•	•	•		•	•	•
	Modified Equal Percentage			•							
	Linear			•		•	•				•
	Quick Open	•	•	•							
Close-off pressure***	High** (100 psid minimum)				•						
	Medium (40 psid minimum)			•							
	Varies with actuator	•	•			•	•	•	•	•	•
Maximum Seat Leakage	ANSI Class III (0.10% Cv max.)				0.02%	0.05%					•
	ANSI Class IV (0.01% Cv max.)								•	•	
	Bubble-tight design			•							
	Other (see product data literature)	33 mL/m					0.5%	0.5%			
Rangeability	High (50:1 minimum)				•	•	•	•	•	•	•
	Medium* (15-50:1)	N/A			•						
	Low (under 15:1)										
Trim	Brass, plated brass, bronze					N3	•		•	•	
	Brass plug /Stainless seat					N1					
	Stainless Steel					N2		•			•
	Resilient materials	•	•	•	•						
In-line Serviceability	Cartridge	•	•	•	•						
	Packing					•	•	•	•	•	•
	Rebuild					•	•	•	•	•	•
Actuation Options	Electronic Modulating			•	•	•	•	•	•	•	•
	Tri-state floating			•	•	•	•	•	•	•	•
	Pulse Width Modulation			•							
	2-position low voltage	•	•	•	0	•	•	•	•	•	•
	2-position line voltage	•	•	•		•	•	•	•	•	•
	Electric Spring Return	•	•	•	•	•	•	•	•	•	•
	Electronic Fail Safe			•							
	Pneumatic, low pressure				•	•	•	•	•	•	•
	Pneumatic bidirectional (Hi-Pr)										
Pneumatic spring return (Hi-Pr)											

Notes \* Best used with supply water reset from outdoor air temperature.  
 \*\* Can dead-head pumps. Use with VFD-controlled pumps with maximum pressure cut-out  
 \*\*\* Maximum operating differential pressure. Static close-off pressure may be higher. Maximum pressure for quiet service may be less.  
 \*\*\*\* Stem down to close  
 \*\*\*\*\* Stem up to close

**APPENDIX D: 2-WAY CONTROL VALVE SELECTION CRITERIA (CONTINUED)**

Attribute	Specification	Globe		Control Ball		Pressure-Regulated		Butterfly	
		Pressure-Balanced		Threaded	Flanged	Threaded	Wafer Flanged	Resilient Seat	
		V5862A3	VGf2xP	VBN2	VBF2	VRN2	VRW2	VFF1	VFF2
Pipe Size	1/2" [DN15]			•		•			
	3/4" [DN20]			•		•			
	1" [DN25]	•		•		•			
	1-1/4" [DN32]	•		•		•			
	1-1/2" [DN40]	•		•		•			
	2" [DN50]			•		•		•	•
	2-1/2" [DN65]		•	•		•	•	•	•
	3" [DN80]		•	•		•	•	•	•
	4" [DN100]		•		•		•	•	•
	5" [DN125]		•		•		•	•	•
6" [DN150]		•		•		•	•	•	
Other (maximum size)								20" [DN500]	
Pipe Fittings	Sweat								
	NPT Internal Thread	•		•		•			
	Inverted Flare								
	ANSI Flange		•		•		•	•	•
Static Pressure	ANSI 125/150		•		•		•		
	ANSI 250/300						•		
	Other	230 psi		360 psi		360 psi		250 psi	
Media	Chilled Water	•	•	•	•	•	•	•	•
	Hot Water	•	•	•	•	•	•	•	•
	Low Pressure Steam		•						
	High Pressure Steam		•						
Flow Capacity, Cv	Multiple ratings per pipe size	•		•	•	x (gpm)	x (gpm)		
	One rating/size above 1/2"		•					•	•
Valve Action	Direct Acting ****	•	•						
	Reverse Acting *****								
	Rotary N.O.			0	0	0	0	•	0
	Rotary N.C.			•	•	•	•		•
Flow Characteristic	Equal Percentage		•			•	•		
	Modified Equal Percentage			•	•			•	•
	Linear	•	•			•			
	Quick Open								
Close-off pressure***	High** (100 psid minimum)	•	•	•	•	•	•	•	•
	Medium (40 psid minimum)							•	•
	Varies with actuator								
Maximum Seat Leakage	ANSI Class III (0.10% Cv max.)					•			
	ANSI Class IV (0.01% Cv max.)	•	•	•	•			•	•
	Bubble-tight design							•	•
	Other (see product data literature)						< 0.2%		
Rangeability	High (50:1 minimum)	•	•	•	•	•	•		
	Medium* (15-50:1)			0		< 10 gpm			
	Low (under 15:1)							•	•
Trim	Brass, plated brass, bronze			•		•			
	Brass plug /Stainless seat								
	Stainless Steel	•	•	•	•	•	•		
	Resilient materials					•	•	•	•
In-line Serviceability	Cartridge					•	•		
	Packing	•	•	•	•	•	•		
	Rebuild				•	Regulator			
Actuation Options	Electronic Modulating	•	•	•	•	•	•	•	•
	Tri-state floating	•	•	•	•	•	•	•	•
	Pulse Width Modulation								
	2-position low voltage		•	•	•	0	0	Limited	
	2-position line voltage		•	0	0	0	0	•	•
	Electric Spring Return	•	•	•	•	•		Limited	
	Electronic Fail Safe						•		
	Pneumatic, low pressure		•					Limited	
	Pneumatic bidirectional (Hi-Pr)							•	•
Pneumatic spring return (Hi-Pr)							•	•	

Notes \* Best used with supply water reset from outdoor air temperature.  
 \*\* Can dead-head pumps. Use with VFD-controlled pumps with maximum pressure cut-out  
 \*\*\* Maximum operating differential pressure. Static close-off pressure may be higher. Maximum pressure for quiet service may be less.  
 \*\*\*\* Stem down to close  
 \*\*\*\*\* Stem up to close

## APPENDIX D: 3-WAY CONTROL VALVE SELECTION CRITERIA

Attribute	Specification	Unitary				Globe				
		Fan Coil	Cartridge Cage	Cartridge Globe		Threaded	Flanged			
		VU54	VCzM/N	V58x3	V5863A3	V5013N...	V5013B	V5013C	VGf3xLD	VGf3xEM
Pipe Size	1/2" [DN15]	•	•	•		•				
	3/4" [DN20]	•	•	•		•				
	1" [DN25]	•	•		•	•				
	1-1/4" [DN32]		•		•	•				
	1-1/2" [DN40]				•	•				
	2" [DN50]					•				
	2-1/2" [DN65]						•		•	•
	3" [DN80]						•		•	•
	4" [DN100]						•	•	•	•
	5" [DN125]						•	•	•	•
6" [DN150]						•	•	•	•	
Other (maximum size)										
Pipe Fittings	Sweat	•	•	•						
	NPT Internal Thread	•	•	•	•	•				
	Inverted Flare	•	•							
	ANSI Flange						•	•	•	•
Static Pressure	ANSI 125/150					•	•	•	•	•
	ANSI 250/300								•	•
	Other	300 psi	300 psi	230 psi	230 psi					
Media	Chilled Water	•	•	•	•	•	•	•	•	•
	Hot Water	•	•	•	•	•	•	•	•	•
Flow Capacity, Cv	Multiple ratings per pipe size	•	•	•	•	•				
	One rating/size above 1/2"					•	•	•	•	•
Valve Action	Mixing A-B-AB porting			•	•	•	•			•
	Mixing A-AB-B porting	•	•							
	Diverting AB-B-A porting							•	•	
	Diverting A-AB-B porting		•							
A-port Flow Characteristic	Equal Percentage			•		•				•
	Modified Equal Percentage		•							
	Linear		•		•		•	•	•	
	Quick Open	•	•							
B-port Flow Characteristic	Modified Equal Percentage									
	Linear		•			•	•	•	•	•
	Linear, Reduced Cv			•	•					
	Total Constant Flow			•	•	•	•	•	•	
Quick Open	•									
Close-off pressure***	High (60 psid minimum)		•	•	•					
	Medium (30 psid minimum)			•						
	Varies with actuator	•				•	•	•	•	•
Maximum Seat Leakage**	ANSI Class III (0.10% Cv max.)			•	•	•			•	
	ANSI Class IV (0.01% Cv max.)						•	•		
	Bubble-tight design		•							
	Other (see product data literature)	33 mL/m								A = 0.5%
Rangeability	High (50:1 minimum)			•	High	•	•	•	•	•
	Medium* (15-50:1)	N/A	•							
	Low (under 15:1)									
Trim	Brass, plated brass, bronze				•	•	•	•		
	Stainless Steel					0			•	•
	Resilient materials	•	•	•						
In-line Serviceability	Cartridge	•	•	•						
	Packing				•	•	•	•	•	•
	Rebuild				•	•	•	•	•	•
Actuation Options	Electronic Modulating		•	•	•	•	•	•	•	•
	Tri-state floating		•	•	•	•	•	•	•	•
	Pulse Width Modulation		•							
	2-position low voltage	•	•	0	0	•	•	•	•	•
	2-position line voltage	•	•			•	•	•	•	•
	Electric Spring Return	•		•	•	•	•	•	•	•
	Electronic Fail Safe		•							
	Pneumatic, low pressure			•		•	•	•	•	•
	Pneumatic bidirectional (Hi-Pr)									
Pneumatic spring return (Hi-Pr)										

Notes \* Best used with supply water reset from outdoor air temperature.  
 \*\* A port specification  
 \*\*\* A-port maximum operating differential pressure. Static close-off pressure may be higher. Maximum pressure for quiet service may be less.  
 \*\*\*\* Stem down to close  
 \*\*\*\*\* Stem up to close  
 "Limited" = not available in large sizes

## APPENDIX D: 3-WAY CONTROL VALVE SELECTION CRITERIA (CONTINUED)

Attribute	Specification	Control Ball		Butterfly	
		Threaded	Flanged	Resilient Seat	
		VBN3	VBF3	VFF3	VFF6
Pipe Size	1/2" [DN15]	•			
	3/4" [DN20]	•			
	1" [DN25]	•			
	1-1/4" [DN32]	•			
	1-1/2" [DN40]	•			
	2" [DN50]	•		•	•
	2-1/2" [DN65]	•		•	•
	3" [DN80]			•	•
	4" [DN100]		•	•	•
	5" [DN125]		•	•	•
6" [DN150]		•	•	•	
Other (maximum size)			20" [DN500]		
Pipe Fittings	Sweat				
	NPT Internal Thread	•			
	Inverted Flare				
	ANSI Flange		•	•	•
Static Pressure	ANSI 125/150		•		
	ANSI 250/300				
	Other	360 psi		250 psi	
Media	Chilled Water	•	•	•	•
	Hot Water	•	•	•	•
Flow Capacity, Cv	Multiple ratings per pipe size	•	•		
	One rating/size above 1/2"			•	•
Valve Action	Mixing A-B-AB porting	•	•	•	
	Mixing A-AB-B porting				•
	Diverting AB-B-A porting	•	0	•	
	Diverting A-AB-B porting				•
A-port Flow Characteristic	Equal Percentage				
	Modified Equal Percentage	•	•	•	•
	Linear				
	Quick Open				
B-port Flow Characteristic	Modified Equal Percentage			•	•
	Linear				
	Linear, Reduced Cv	•	•		
	Total Constant Flow				
	Quick Open				
Close-off pressure***	High (60 psid minimum)		•	•	•
	Medium (30 psid minimum)	•		•	•
	Varies with actuator				
Maximum Seat Leakage**	ANSI Class III (0.10% Cv max.)				
	ANSI Class IV (0.01% Cv max.)	•	A-port	•	•
	Bubble-tight design			•	•
	Other (see product data literature)		B-port		
Rangeability	High (50:1 minimum)	•	•		
	Medium* (15-50:1)	0			
	Low (under 15:1)			•	•
Trim	Brass, plated brass, bronze	•			
	Stainless Steel		•		
	Resilient materials			•	•
In-line Serviceability	Cartridge				
	Packing	•	•		
	Rebuild		•		
Actuation Options	Electronic Modulating	•	•	•	•
	Tri-state floating	•	•	•	•
	Pulse Width Modulation				
	2-position low voltage	•	•	Limited	
	2-position line voltage	0	0	•	•
	Electric Spring Return	•	•	Limited	
	Electronic Fail Safe				
	Pneumatic, low pressure			Limited	
	Pneumatic bidirectional (Hi-Pr)			•	•
	Pneumatic spring return (Hi-Pr)			•	•

Notes \* Best used with supply water reset from outdoor air temperature.

\*\* A port specification

\*\*\* A-port maximum operating differential pressure. Static close-off pressure may be higher. Maximum pressure for quiet service may be less.

\*\*\*\* Stem down to close

\*\*\*\*\* Stem up to close

"Limited" = not available in large sizes



DIRECT COUPLED ACTUATORS QUICK SELECTION GUIDE



Spring Return,  
Low Torque

Precise, reliable performance. Lasting value. Ease of installation. Everything you look for in direct-coupled actuators hinges on quality. And quality engineering is what makes Honeywell’s complete line of actuators the top performers in the industry. Our global engineering team designs and tests our direct-coupled actuators to exceed rigorous global standards — and to meet Honeywell’s own demanding life testing.

But we don’t stop there. Thanks to our continuous improvement process, Honeywell actuators are now easier than ever to install. You’ll also benefit from consistent wiring regardless of signal type, common accessories and a simplified selection process.

Honeywell’s complete line of building control products, including valves and actuators, are already proven in more than three million buildings worldwide. So when you need spring or non-spring return actuators for your damper and valve applications, specify Honeywell. We make precision easy.



Spring Return,  
High Torque

Improve Installation Time

- Self-centering shaft adapter provides mounting flexibility and greater clamping force.
- Common wiring among families for every signal saves installation time.

Decrease Material Cost

- Detachable access cover allows direct wiring without a junction box.

Reduce Inventory

- Signal mode switch adapts models to two-position, floating (tri-state), or modulating (proportional) applications.

Increase Control and Accuracy

- More than 200 reposition steps for modulating models provide precise control.

Increased Flexibility

- Select models are available with or without three foot actuator whips cable.



EASY-TO-SELECT MODEL NUMBERS

MS and MN Families

**MS 75 10 A 2 2 XX**

Fail Safe Mode

- **MS** Spring Return
- **MN** Non-Spring Return

Input Signal Type

- **41** Two-Position, 100-250 Vac
- **61** Floating, 24 Vac/dc
- **75** Modulating/Floating, 24 Vac/dc
- **81** Two-Position, 24 Vac/dc

Torque

- **03** Nm = 27 in-lb
- **05** Nm = 44 in-lb
- **10** Nm = 88 in-lb
- **20** Nm = 175 in-lb
- **34** Nm = 300 in-lb

System Controlled Numbers

Auxiliary Switches

- **0** No Internal Switches
- **2** Two Internal Switches

Feedback

- **1** No Feedback
- **2** Voltage Feedback

Application Type

- **A** Standard Model
- **H** Enhanced Model
- **W** Model with Whips Cable



Non-Spring Return,  
Low Torque

ML Family

**ML 61 61 B 2 XXX**

Fail Safe Mode

- **ML** Non-Spring Return

Input Signal Type

- **61** Floating, 24 Vac
- **71** Modulating, 24 Vac

Torque

- **61** (4 Nm) = 35 in-lb
- **74** (8 Nm) = 70 in-lb

System Controlled Numbers

Declutch

- **1** Standard
- **2** Includes Declutch Function

Feedback & Conduit








- **A** Feedback w/Accessory
- **B** Standard
- **C** Feedback w/Accessory and Cover w/Conduit Connections
- **D** Cover w/Conduit Connections








Non-Spring Return,  
High Torque



**APPENDIX F: 10K NTC TYPE II SENSORS**

	<b>OS No.</b>	<b>Type</b>	<b>Description</b>
	<b>C7021B2005</b>	<b>Duct Mount</b>	<b>6" duct w/ wiring enclosure</b>
	<b>C7021B2013</b>	<b>Duct Mount</b>	<b>12" duct w/ wiring enclosure</b>
	<b>C7021C2003</b>	<b>Duct Mount</b>	<b>18" duct w/ wiring enclosure</b>
	<b>C7021J2007</b>	<b>Duct Mount</b>	<b>12' duct averaging w/ wiring enclosure</b>
	<b>C7021R2000</b>	<b>Duct Mount</b>	<b>12' duct averaging flexible copper</b>
	<b>C7021R2018</b>	<b>Duct Mount</b>	<b>24' duct averaging flexible copper</b>
	<b>C7776A1006</b>	<b>Duct Mount</b>	<b>6" duct probe with flange, 8.5 in stranded wire</b>
	<b>C7776A1040</b>	<b>Duct Mount</b>	<b>6" duct probe with flange, 6 ft plenum cable</b>
	<b>C7021P2004</b>	<b>Wall Mount</b>	<b>Small metal button sensor</b>

**APPENDIX F: 10K NTC TYPE II SENSORS (CONTINUED)**

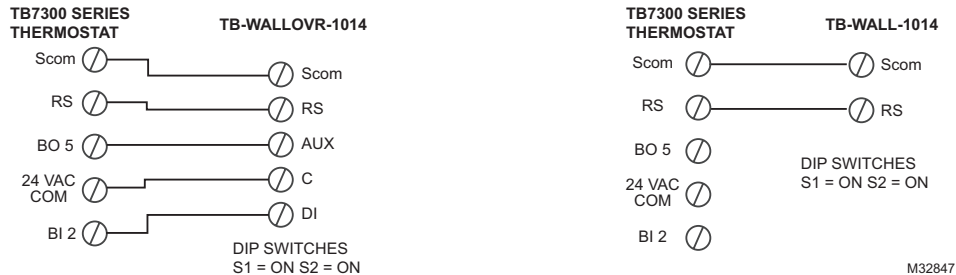
	<b>OS No.</b>	<b>Type</b>	<b>Description</b>
	<b>C7021D2001</b>	<b>Water</b>	<b>Pipe sensor with wiring enclosure, use well 50001774-001</b>
	<b>C7021K2005</b>	<b>Water</b>	<b>Strap-on pipe sensor with wiring enclosure</b>
	<b>C7021F2009</b>	<b>Outdoor</b>	<b>Outdoor weatherproof, connects to 1/2" conduit, 10K Ohms NTC Type II</b>
	<b>C7021N2001</b>	<b>Water / Air</b>	<b>Probe Sensor with 6' Lead</b>
	<b>C7772F1004</b>	<b>Wall Mount</b>	<b>Wall Flush Mount Temperature Sensor, without logo</b>
	<b>C7772F1012</b>	<b>Wall Mount</b>	<b>Wall Flush Mount Temperature Sensor, with logo</b>
	<b>TB-WALL-1014</b>	<b>Wall Mount</b>	<b>Wall sensor</b>
	<b>TB-WALLOVR-1014</b>	<b>Wall Mount</b>	<b>Wall sensor with override</b>

## APPENDIX G: TB-WALL SENSOR WIRING & DIP SWITCH SETTINGS FOR TB7200 AND TB7300 SERIES THERMOSTATS

If LED indicator is desired at the TB-WALLOVR-1014:

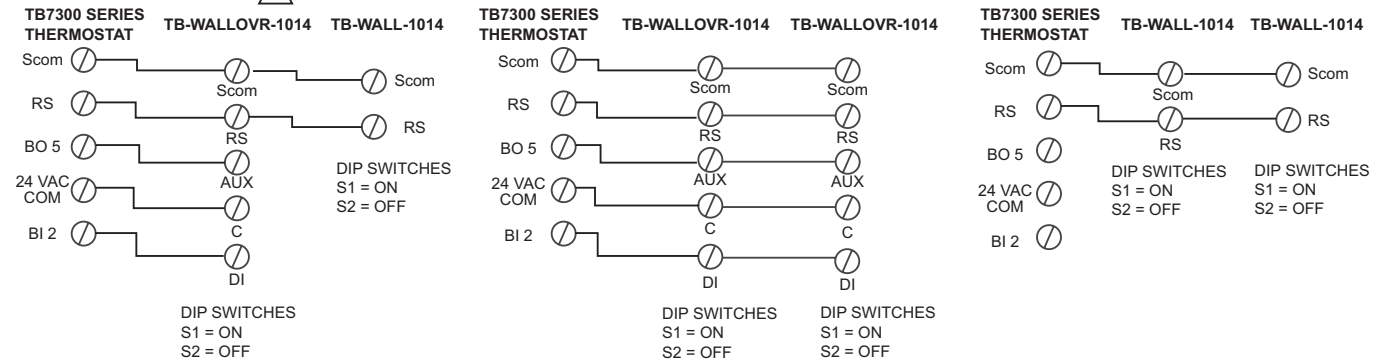
1. Set the Aux Cont installer parameter (which controls BO5) to option 2, Auxiliary NC.
2. Install a jumper across the BO5 terminal and 24 Vac Hot.

### REMOTE WIRING 1 SENSOR



**Wiring example of single remote wall mounted room sensor.**

### REMOTE WIRING 2 SENSORS 1

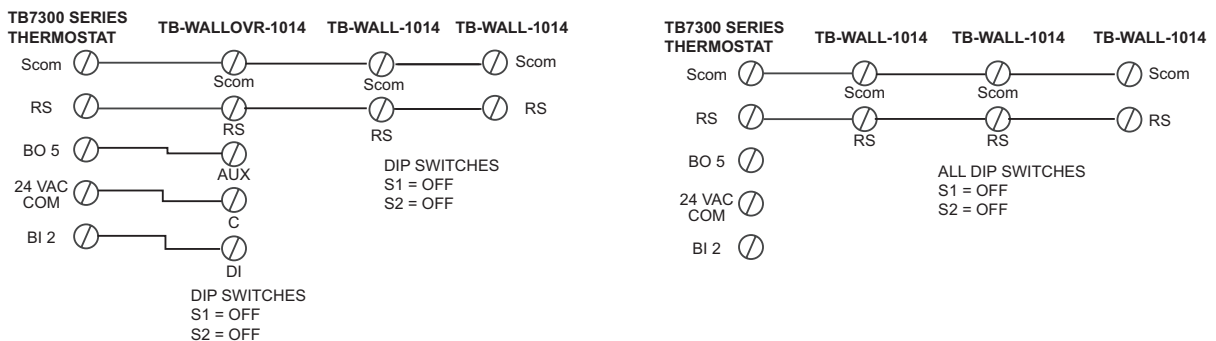


1 TB-WALL-1014 and TB-WALLOVR-1014 CAN BE MIXED AND MATCHED  
TB-WALL-1014 and TB-WALLOVR-1014 ARE TO BE WIRED IN PARALLELL  
ENSURE THE DIP SWITCH SETTINGS ARE CORRECT IN EACH REMOTE SENSOR

M32848

**Wiring examples of two remote wall mounted room sensors for averaging applications.**

### REMOTE WIRING 3 SENSORS



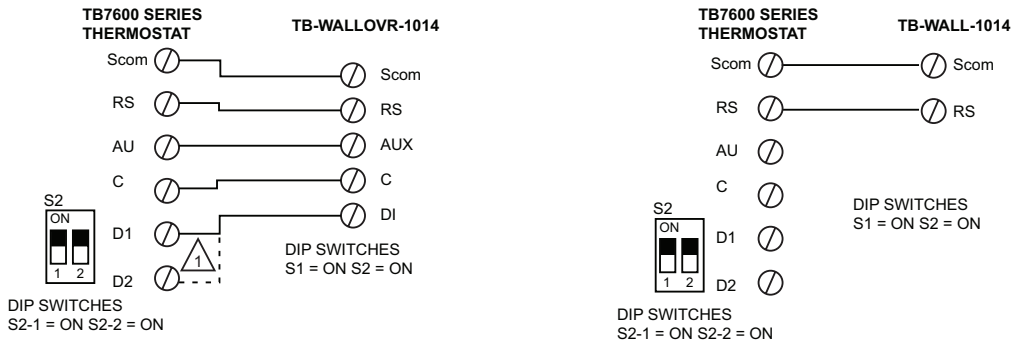
1 TB-WALL-1014 and TB-WALLOVR-1014 CAN BE MIXED AND MATCHED  
TB-WALL-1014 and TB-WALLOVR-1014 ARE TO BE WIRED IN PARALLELL  
ENSURE THE DIP SWITCH SETTINGS ARE CORRECT IN EACH REMOTE SENSOR

M32849

**Wiring examples of three remote wall mounted room sensors for averaging applications.**

# APPENDIX G: TB-WALL SENSOR WIRING & DIP SWITCH SETTINGS FOR TB7600 SERIES THERMOSTATS

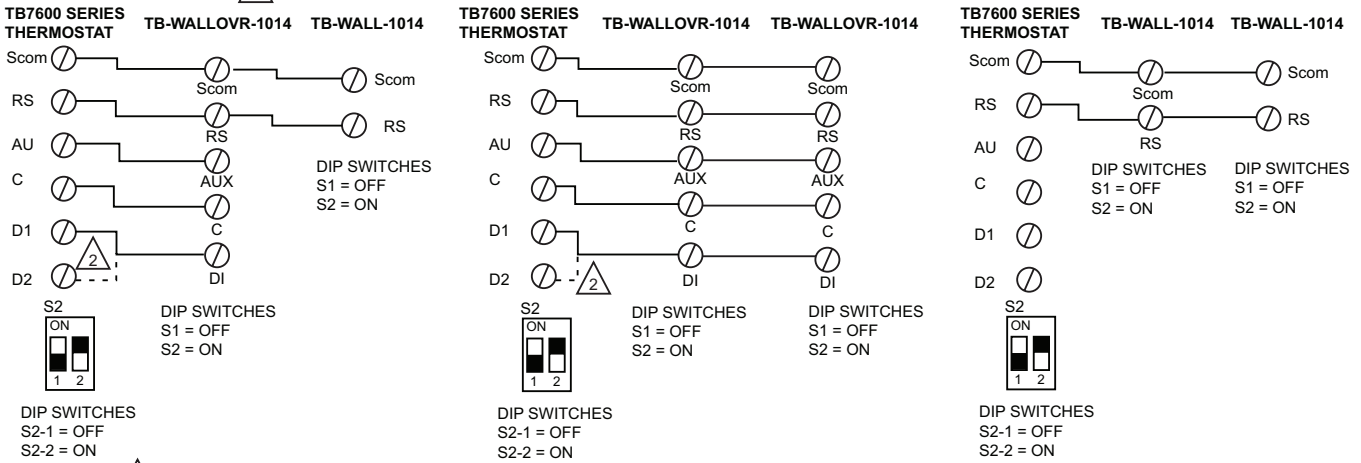
## REMOTE WIRING 1 SENSOR



⚠️ EITHER D1 OR D2 CAN BE USED ON THE TB7600 FOR CONNECTION FROM THE DI ON THE WALL MODULE WITH OVERRIDE. M16996

### Wiring example of single remote wall mounted room sensor.

## REMOTE WIRING 2 SENSORS

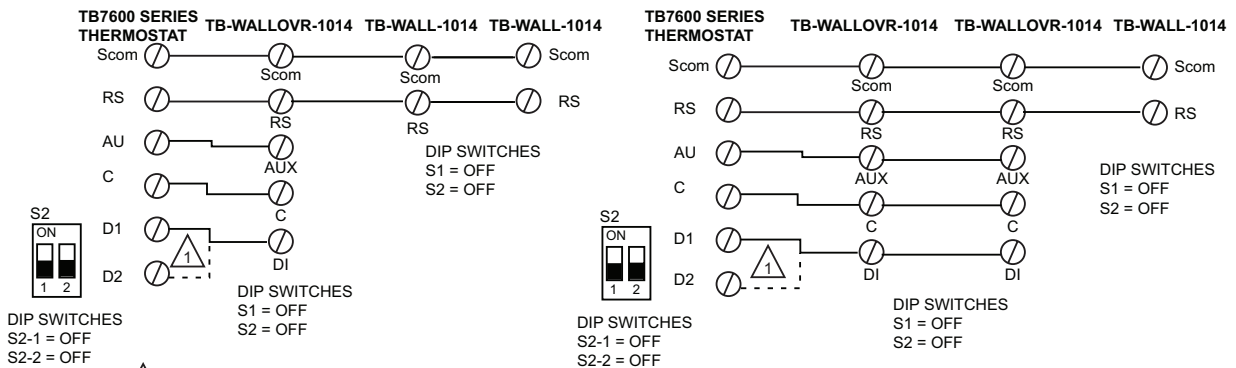


⚠️ TB-WAL-1014 AND TB-WALLOVR-1014 CAN BE MIXED AND MATCHED  
TB-WAL-1014 AND TB-WALLOVR-1014 ARE TO BE WIRED IN PARALLELL  
ENSURE THE DIP SWITCH SETTING IS CORRECT IN EACH REMOTE SENSOR

⚠️ EITHER D1 OR D2 CAN BE USED ON THE TB7600 FOR CONNECTION FROM THE DI ON THE WALL MODULE WITH OVERRIDE. M16997

### Wiring examples of two remote wall mounted room sensors for averaging applications.

## REMOTE WIRING 3 SENSORS



⚠️ EITHER D1 OR D2 CAN BE USED ON THE TB7600 FOR CONNECTION FROM THE DI ON THE WALL MODULE WITH OVERRIDE. M16998

### Wiring examples of three remote wall mounted room sensors for averaging applications.



By using this Honeywell literature, you agree that Honeywell will have no liability for any damages arising out of your use or modification to, the literature. You will defend and indemnify Honeywell, its affiliates and subsidiaries, from and against any liability, cost, or damages, including attorneys' fees, arising out of, or resulting from, any modification to the literature by you.

**Automation and Control Solutions**  
Honeywell International Inc.  
1985 Douglas Drive North  
Golden Valley, MN 55422

[customer.honeywell.com](http://customer.honeywell.com)

© U.S. Registered Trademark  
© 2014 Honeywell International Inc.  
63-4527—02 M.S. 12-14  
Printed in U.S.A.

**Honeywell**